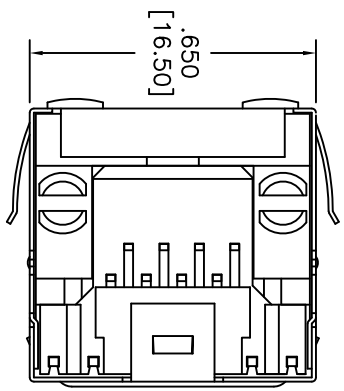
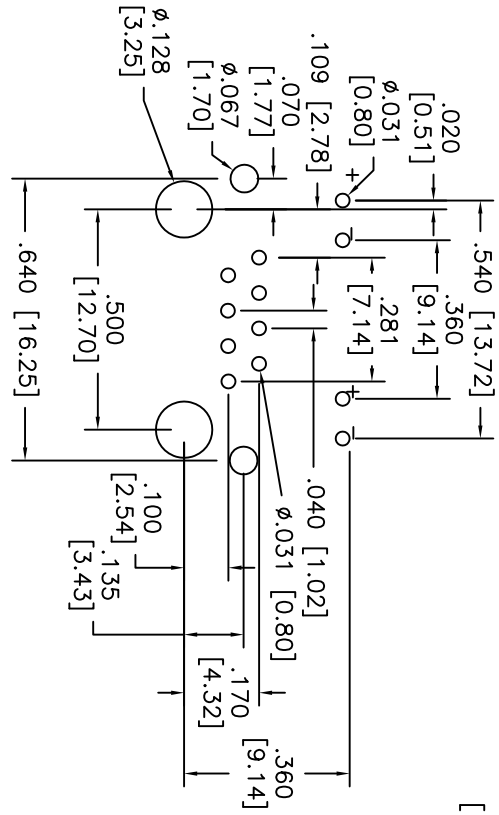


APPROVED: _____
 DATE: _____ TITLE: _____

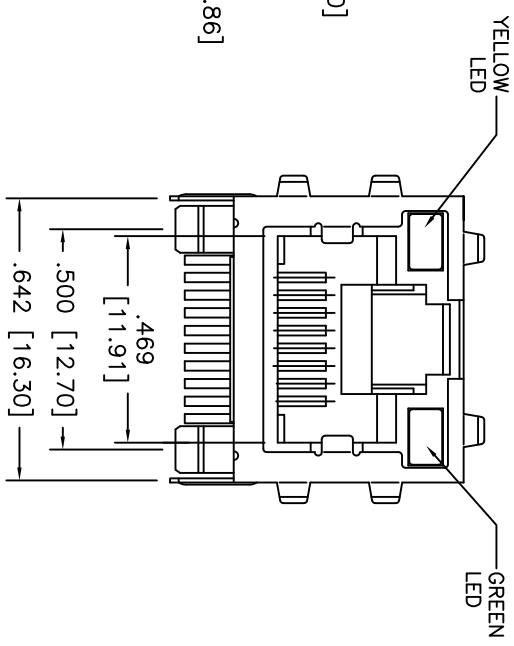
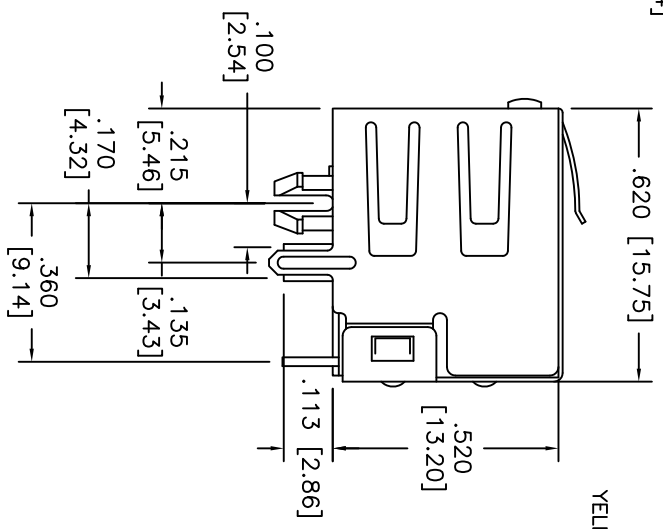
Rev	AWO #	Description	Date	Appr
-		RELEASED	12/4/07	
A		REVISED DIM.	3/22/10	



X	PLATING
0	15 µin Gold
1	30 µin Gold
2	50 µin Gold



RECOMMENDED PCB LAYOUT



SPECIFICATIONS:

Material:
 Insulator: PBT, glass reinforced, rated UL 94V-0
 Insulator color: Black
 Contacts: Phosphor Bronze
Plating:
 Gold flash over Nickel underplate on contact area,
 Tin over copper underplate on solder tails.
 (See chart for thickness)

Electrical:

Operating voltage: 125 VAC max
 Current rating: 1.5 Amps max
 Contact resistance: 45 mohms max. initial
 Insulation resistance: 1000 Mohms min
 Dielectric withstanding voltage: 1,000 VAC for 1 minute

Temperature Rating:

Operating temperature: -40°C to +85°C
 Environmental:
 Lead free, RoHS compliant.



ADAM TECH

909 Rahway Avenue, Union, NJ 07083
 Phone: 908-687-5000 Fax: 908-687-0214

TITLE: MODULAR TELEPHONE JACK, R/A
 W/ PANEL GROUNDS, LED'S YEL/GRN

UNLESS OTHERWISE SPECIFIED ALL DIMENSIONS ARE MM [INCHES] TOLERANCES: EXCEPT AS NOTED			
.X	± .10	ØXX	± .10
.XX	± .020	ØXXX	± .015
.XXX	± .015	ØXXXX	± .010
APPROVALS		DATE	
DRAWN	SHIHEN	12/4/07	
CHECKED			
APPROVED			

SIZE	PART NO.	REV.
X	MTJ-88ARX1-FSM-PG-LG	A
REF:	S00069T	SHEET 1 OF 1
SCALE:	NIS	