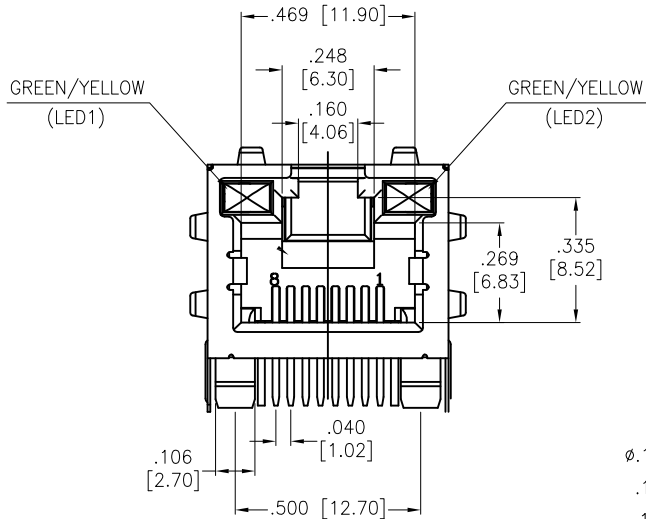
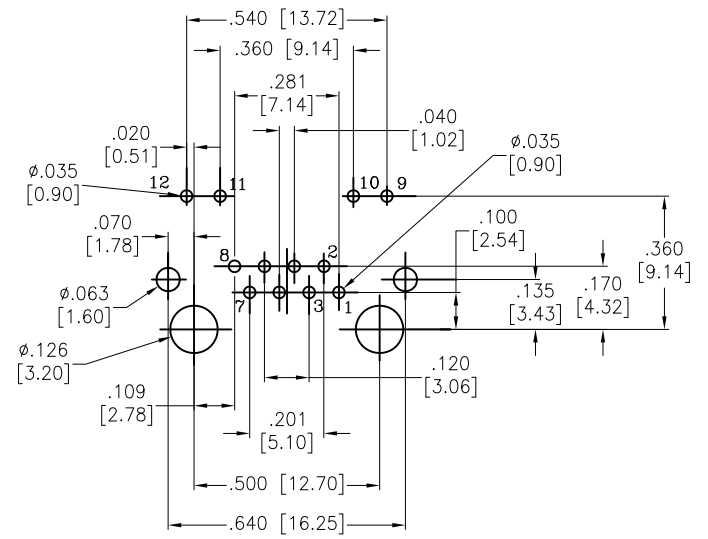
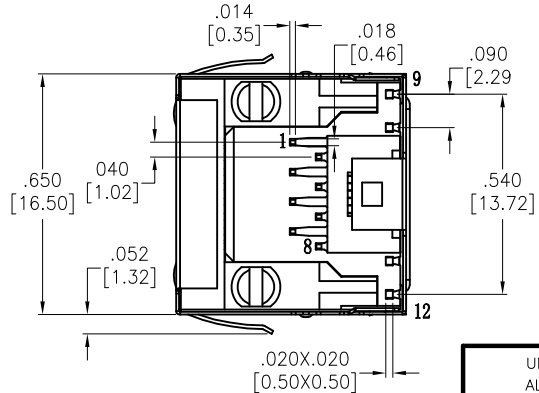
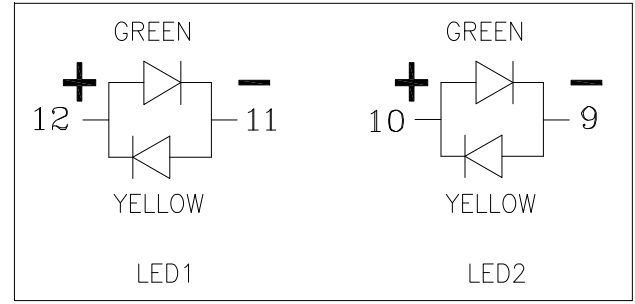
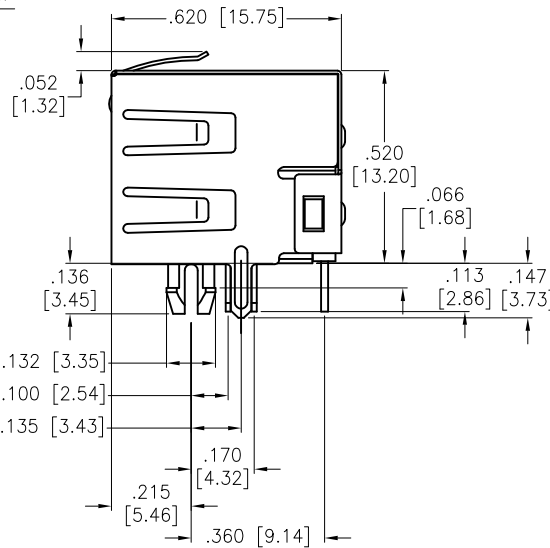


APPROVED: \_\_\_\_\_  
 DATE: \_\_\_\_\_ TITLE: \_\_\_\_\_

Rev	AWO #	Description	Date	Appr
-		RELEASED	6/24/14	
A		UPDATED SPEC.	3/11/15	HR/CH
B		UPDATED SPEC.	4/13/15	HR/LW
C		UPDATED SPEC.	6/17/16	HR/CH



X	PLATING
0	15 µin Gold
1	30 µin Gold
2	50 µin Gold
6	6 µin Gold



RECOMMENDED PCB LAYOUT

**SPECIFICATIONS:**

**Material:**  
 Insulator: PBT, glass reinforced, rated UL 94V-0  
 Insulator color: Black  
 Contacts: Phosphor Bronze  
 Shield: Brass, Nickel plated  
 Contacts Plating:  
 Round contact  
 Gold over Nickel underplate overall  
 Flat contact  
 Gold over Nickel underplate on contact area,  
 Tin over Nickel underplate on solder tails  
 (See chart for thickness)

**Electrical:**  
 Voltage rating: 150 VAC rms  
 Current rating: 1.5 Amps max  
 Contact resistance: 20 mohms max. initial  
 Insulation resistance: 1000 Mohms min @ 500 VDC  
 Dielectric withstanding voltage:  
 Contact to Contact: 1,000 VDC or AC Peak for 1 minute  
 Contact to Screen and Test panel: 1,500 VDC or AC Peak for 1 minute  
**Temperature Rating:**  
 Operating temperature: -40°C to +85°C  
 Environmental:  
 Lead free, RoHS compliant.



UNLESS OTHERWISE SPECIFIED  
 ALL DIMENSIONS ARE MM [INCHES]  
 TOLERANCES: EXCEPT AS NOTED

INCHES	HOLES
.X ± .10 [2.54]	Ø.X ± .10 [2.54]
.XX ± .020 [.51]	Ø.XX ± .015 [.38]
.XXX ± .015 [.38]	Ø.XXX ± .010 [.25]

APPROVALS		DATE
DRAWN	HR	6/24/14
CHECKED	SC	6/24/14
APPROVED		

**ADAM TECH**  
 909 Rahway Avenue, Union, NJ 07083  
 Phone: 908-687-5000 Fax: 908-687-0214

TITLE  
**MODULAR TELEPHONE JACK, W/ PANEL GROUNDS,  
 W/ LED1 GREEN/YELLOW, LED2 GREEN/YELLOW**

SIZE	PART NO.	REV.
X	MTJ-88ARX1-FSM-PG-L16	C

REF: S00005C SCALE: NTS SHEET 1 OF 1