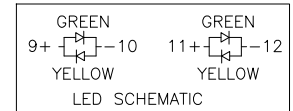
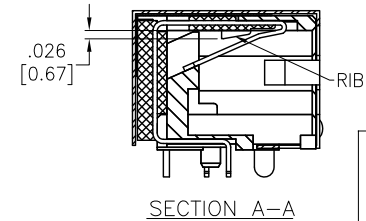
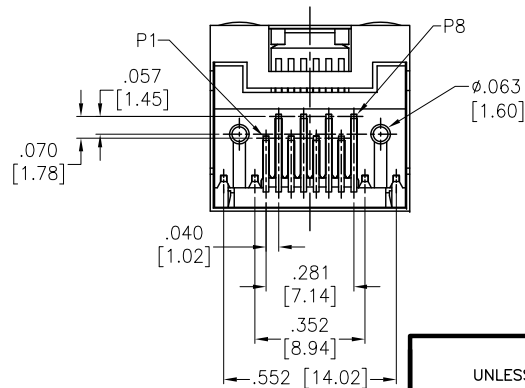
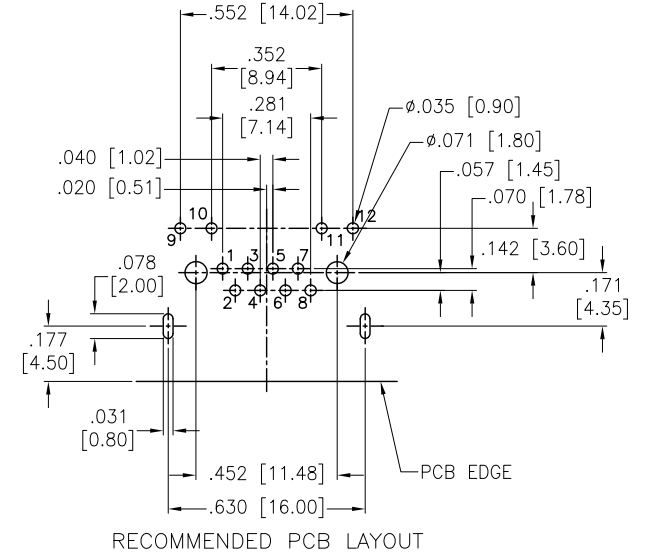
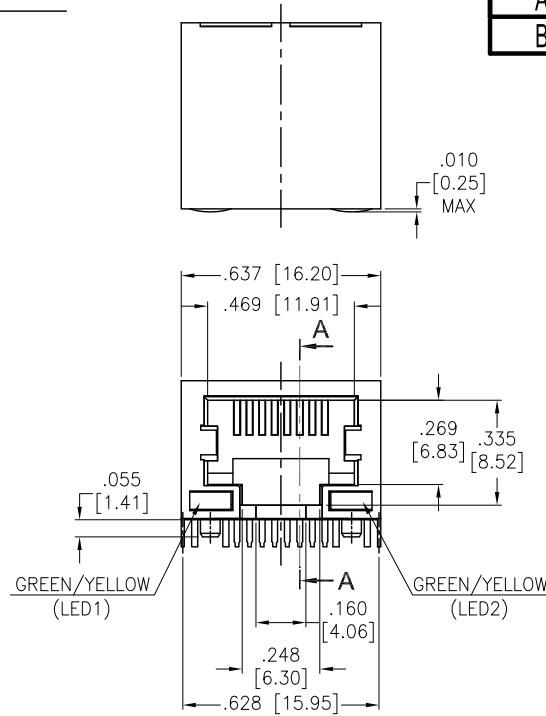
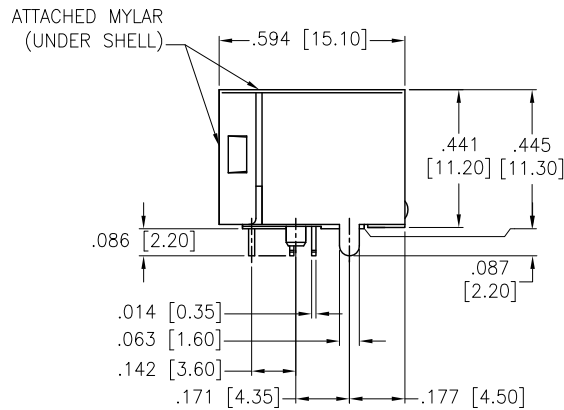


APPROVED: _____
 DATE: _____ TITLE: _____

Rev	AWO #	Description	Date	Appr
-		RELEASED	1/22/15	
A		UPDATE DRAWING	4/15/16	AY
B		ADDED LED SCHEMATIC	6/24/19	LH/TW



SPECIFICATIONS:

Material:
 Insulator: Nylon 46, Glass fiber, rated UL 94V-0
 Insulator color: Black
 Contacts: Phosphor Bronze
 Shield: Brass, Nickel plated
 LED Solder Tail: Steel, Tin plated
 Contacts Plating:
 Gold over Nickel underplate on contact area
 Gold flash over Nickel underplate on solder tails
 Electrical:
 Voltage rating: 150 VAC max
 Current rating: 1.5 Amp max
 Contact resistance: 20 mohms max
 Insulation resistance: 500 Mohms min @ 500 VDC
 Dielectric withstanding voltage: 1500 VAC for 1 minute
 Temperature Rating:
 Operating temperature: -40°C to +85°C
 Environmental:
 Lead free, RoHS compliant.



UNLESS OTHERWISE SPECIFIED
 ALL DIMENSIONS ARE INCHES [MM]
 TOLERANCES: EXCEPT AS NOTED
 INCHES HOLES

.X ± .10	∅.X ± .10
.XX ± .020	∅.XX ± .015
.XXX ± .015	∅.XXX ± .010

ADAM TECH
 INTERCONNECTS

909 Rahway Avenue,
 Union, NJ 07083
 Phone: 908-687-5000
 Fax: 908-687-5710

TITLE MODULAR TELEPHONE JACK, 8P8C W/ LED1 & LED2 GREEN/YELLOW		
SIZE X	PART NO. MTJ-88AAX1-FSV-L16	REV. B
REF: S00065T	SCALE: NTS	SHEET 1 OF 1

APPROVALS		DATE
DRAWN	AY	1/22/15
CHECKED	YC	1/22/15
APPROVED		