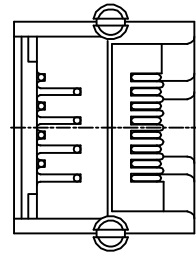
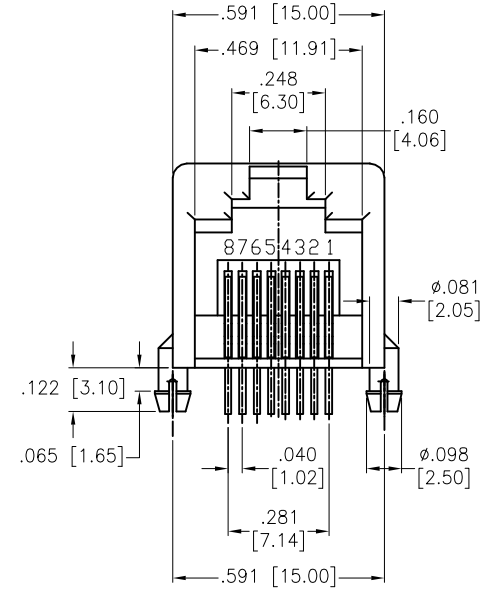
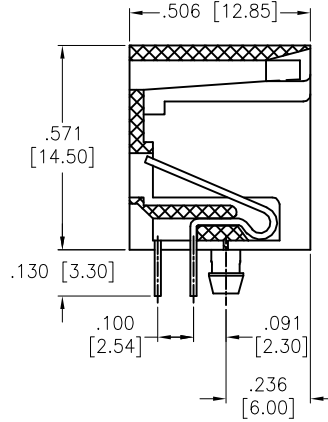
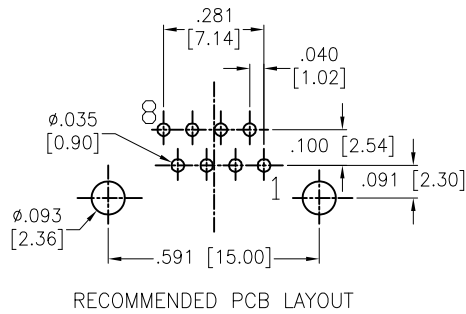


APPROVED: _____
 DATE: _____ TITLE: _____

Rev	AWO #	Description	Date	Appr
-		RELEASED	5/25/05	
A		REDRAWN	7/01/09	
B		UPDATED DRAWING	7/20/18	HR/TW



SPECIFICATIONS:
 Material:
 Insulator: PBT, rated UL 94V-0
 Insulator color: Black
 Contacts: Phosphor Bronze
 Plating:
 Round contact
 Gold over Nickel underplate overall
 Flat contact
 Gold over Nickel underplate on contact area,
 Tin over Nickel underplate on solder tails
 Electrical:
 Voltage rating: 125 VAC RMS
 Current rating: 1.5 Amp
 Contact Resistance: 20 mohms max
 Insulation resistance: 1,000 Mohms min @ 500 VDC
 Dielectric withstanding voltage:
 Contact to Contact: 1,000 VDC or AC Peak for 1 minute
 Contact to Shield: 1,500 VDC or AC Peak for 1 minute
 Temperature Rating:
 Operating temperature: -40°C to +85°C
 Environmental:
 Lead free, RoHS compliant.



UNLESS OTHERWISE SPECIFIED ALL DIMENSIONS ARE INCHES [MM] TOLERANCES: EXCEPT AS NOTED			
INCHES		HOLES	
.X	$\pm .10$	$\phi.X$	$\pm .10$
.XX	$\pm .020$	$\phi.XX$	$\pm .015$
.XXX	$\pm .015$	$\phi.XXX$	$\pm .010$
APPROVALS		DATE	
DRAWN	SS	5/25/05	
CHECKED			
APPROVED			

ADAM TECH
 INTERCONNECTS
 909 Rahway Avenue,
 Union, NJ 07083
 Phone: 908-687-5000
 Fax: 908-687-5710

TITLE MODULAR TELEPHONE JACK, 8P8C RIGHT ANGLE, PCB, COLOR BLACK			
SIZE X	PART NO. MTJ-882BX1	REV. B	
REF: S00005C	SCALE: NTS	SHEET 1 OF 1	