

**SAW Filter 2595.0MHz**

**Model No: TA1962A**

**Part No: MP07938**

**Rev No: 1**

**A. MAXIMUM RATING:**

Electrostatic Sensitive Device (ESD)

1. Input Power Level: 28dBm
2. DC Voltage: 0V
3. Operating Temperature: -30°C to +85°C
4. Storage Temperature: -40°C to +85°C
5. Moisture Sensitivity Level: Level 3
6. ESD 50V (MM), 100V (HBM)

**B. ELECTRICAL CHARACTERISTICS:**

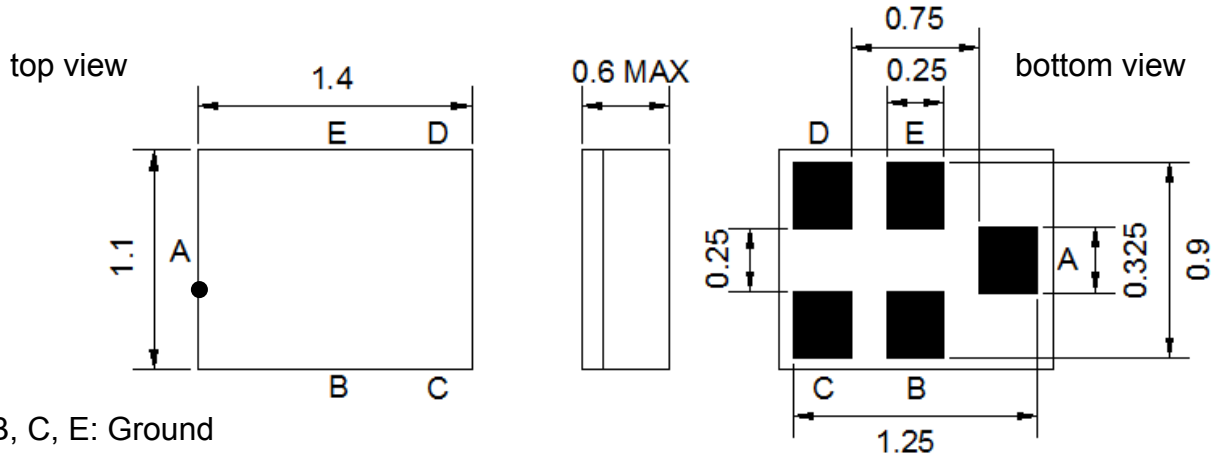
1. Terminating source impedance:  $Z_S = 50\Omega$
2. Terminating load impedance:  $Z_L = 50\Omega$

Item	Unit	Min.	Typ.	Max.	Note
Center Frequency Fc	MHz	-	2595	-	-
Insertion Loss (2570 ~ 2620MHz) IL	dB	-	1.8	2.5	-
Amplitude ripple(2570 ~ 2620MHz)	dB p-p	-	1.0	1.7	-
VSWR (2570 ~ 2620MHz)		-	1.9	2.2	-
Attenuation (reference level from 0dB)					
10 ~ 200MHz	dB	30	42	-	-
200 ~ 1570MHz	dB	20	27		
1570 ~ 1580MHz	dB	20	27		
1580 ~ 2000MHz	dB	20	27	-	-
2000 ~ 2300MHz	dB	20	27	-	-
2300 ~ 2400MHz	dB	25	30	-	-
2400 ~ 2485MHz	dB	25	34	-	-
2485 ~ 2510MHz	dB	25	31	-	-
2510 ~ 2555MHz	dB	1.0	2.3	-	-
2635 ~ 2680MHz	dB	1.0	3.2		
2680 ~ 2705MHz	dB	30	36		
2705 ~ 3000MHz	dB	25	30		
3000 ~ 4000MHz	dB	25	30		
4000 ~ 4900MHz	dB	25	36		
4900 ~ 6000MHz	dB	20	28		
Temperature Coefficient of Frequency	ppm/°C	-	-36	-	-

**SAW Filter 2595.0MHz**  
**Part No: MP07938**

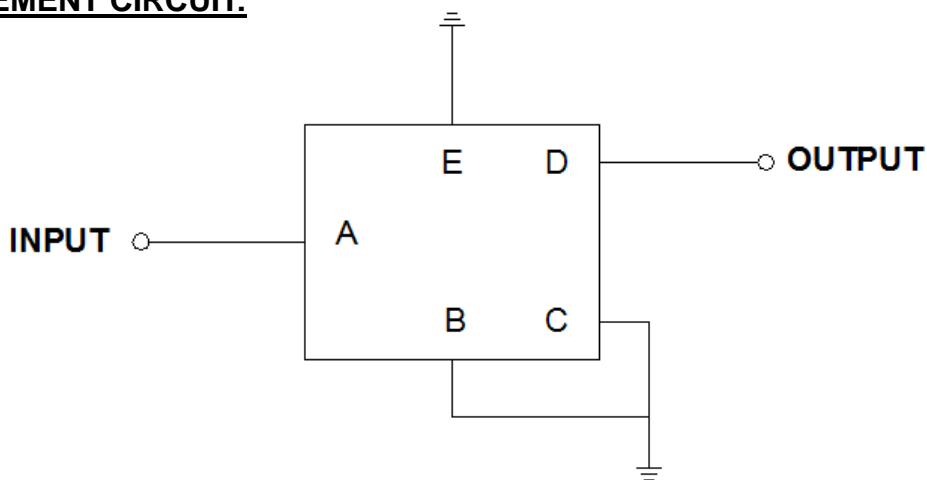
**Model No: TA1962A**  
**Rev No: 1**

**C. OUTLINE DRAWING:**



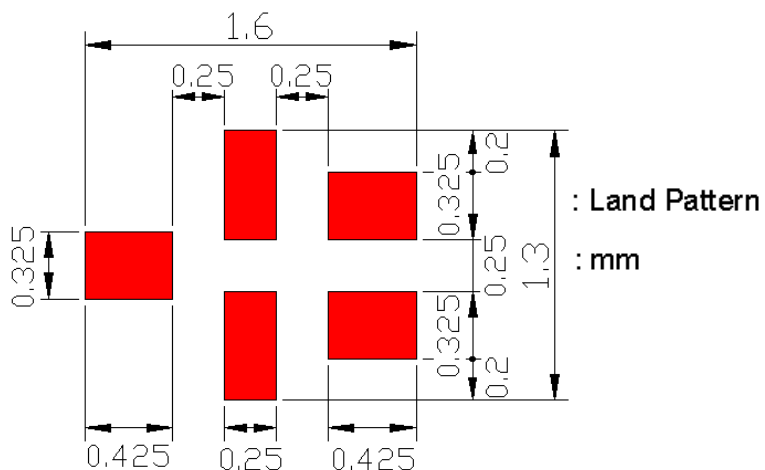
B, C, E: Ground  
 A: Input  
 D: Output

**D. MEASUREMENT CIRCUIT:**



Source & Load Impedance: 50Ω

**E. PCB FOOTPRINT:**

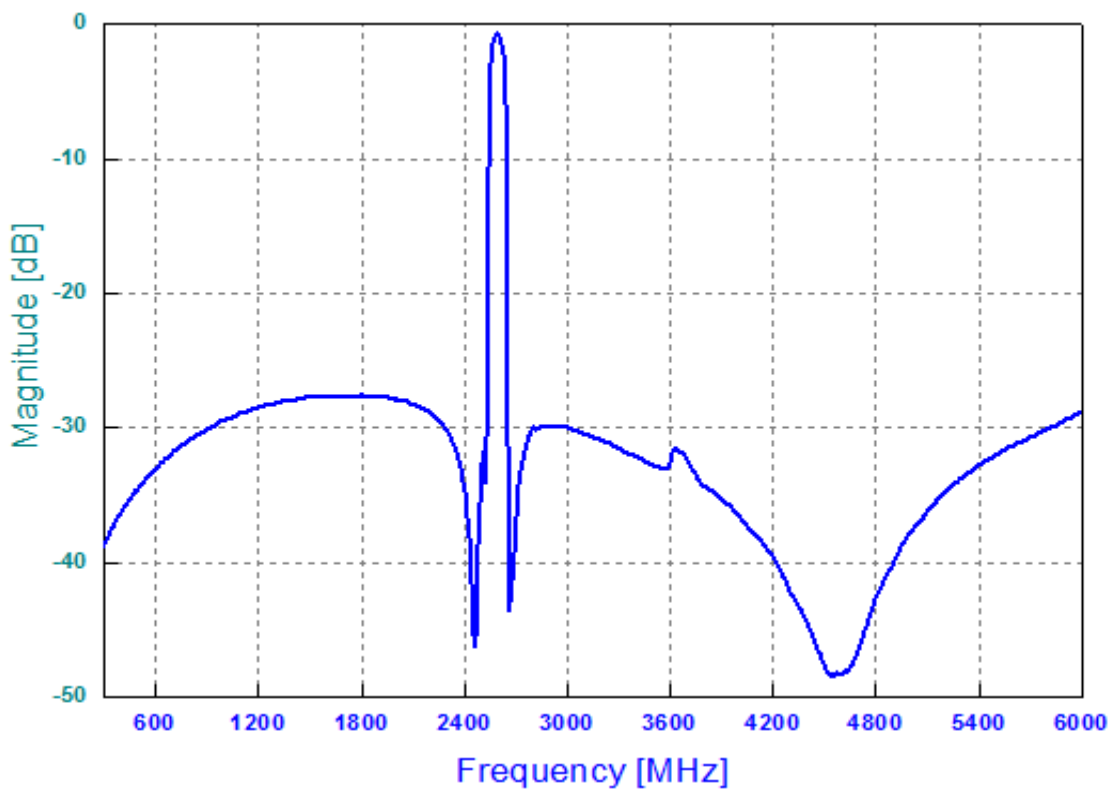
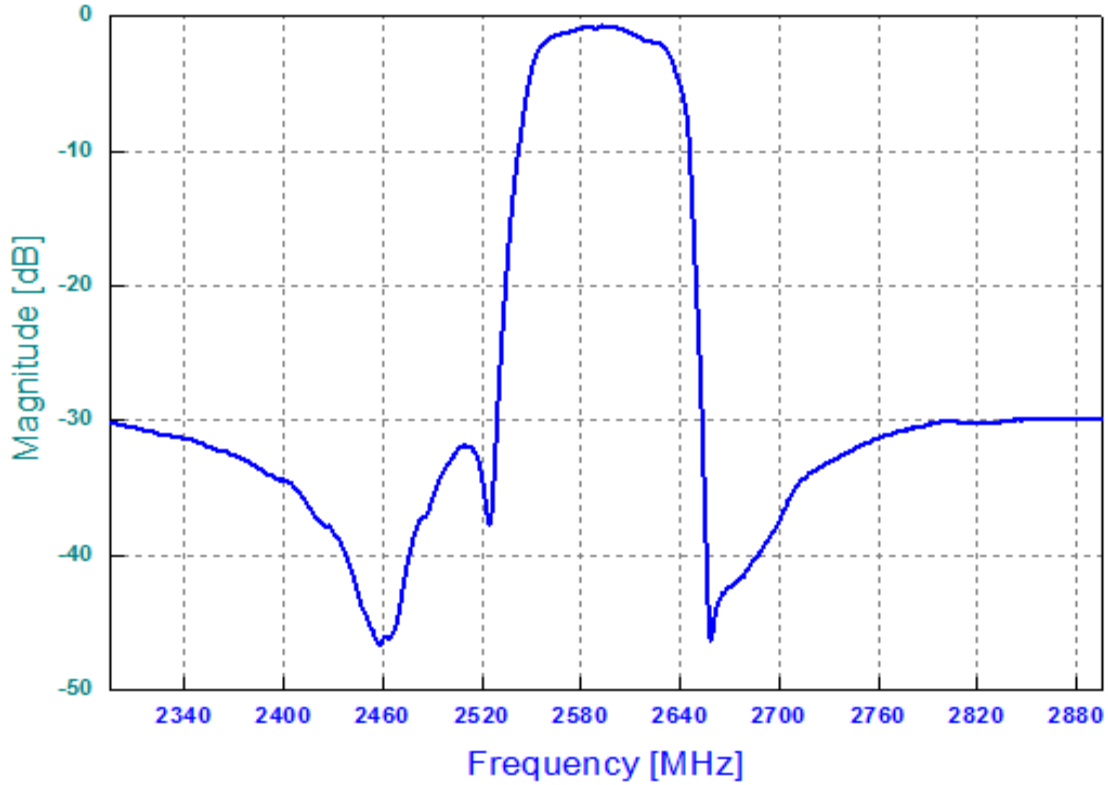


**SAW Filter 2595.0MHz**  
**Part No: MP07938**

**Model No: TA1962A**  
**Rev No: 1**

**F. FREQUENCY CHARACTERISTICS:**

1. Frequency Response

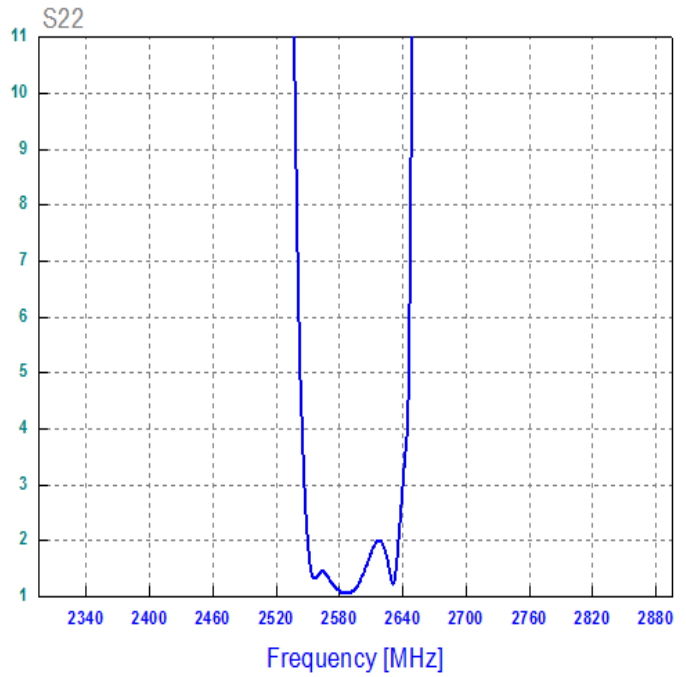
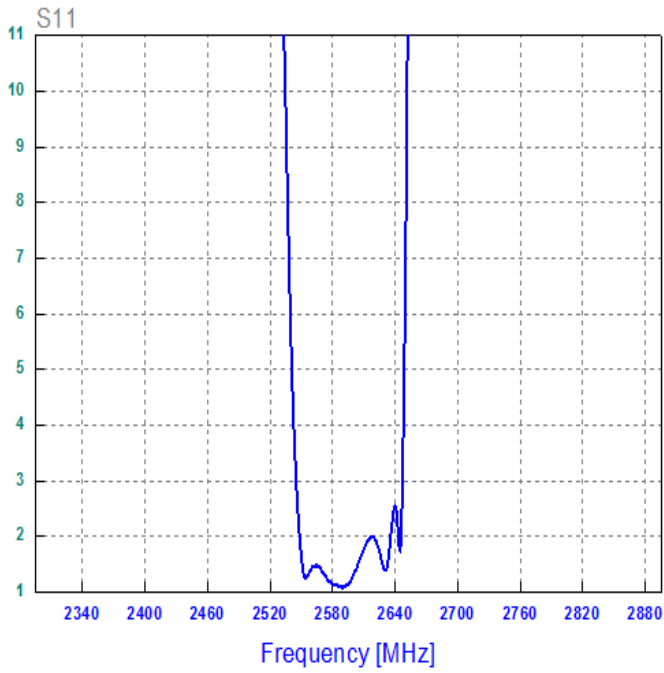


**SAW Filter 2595.0MHz**  
**Part No: MP07938**

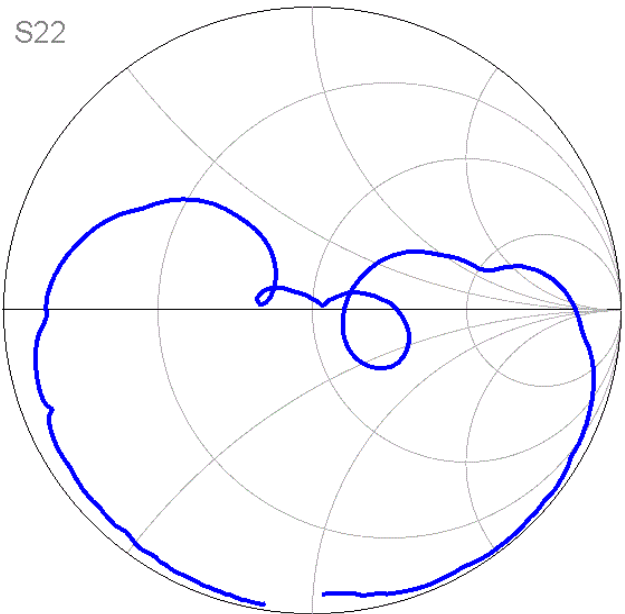
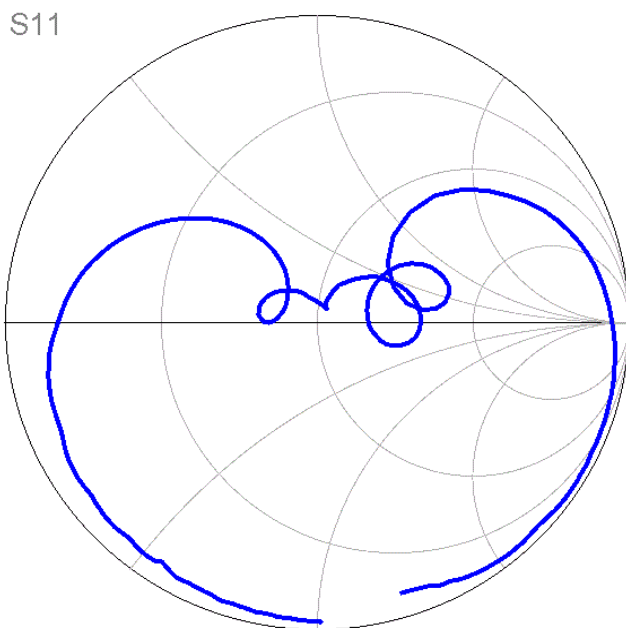
**Model No: TA1962A**  
**Rev No: 1**

### 2. Reflection Functions

VSWR



### 3. Smith Chart

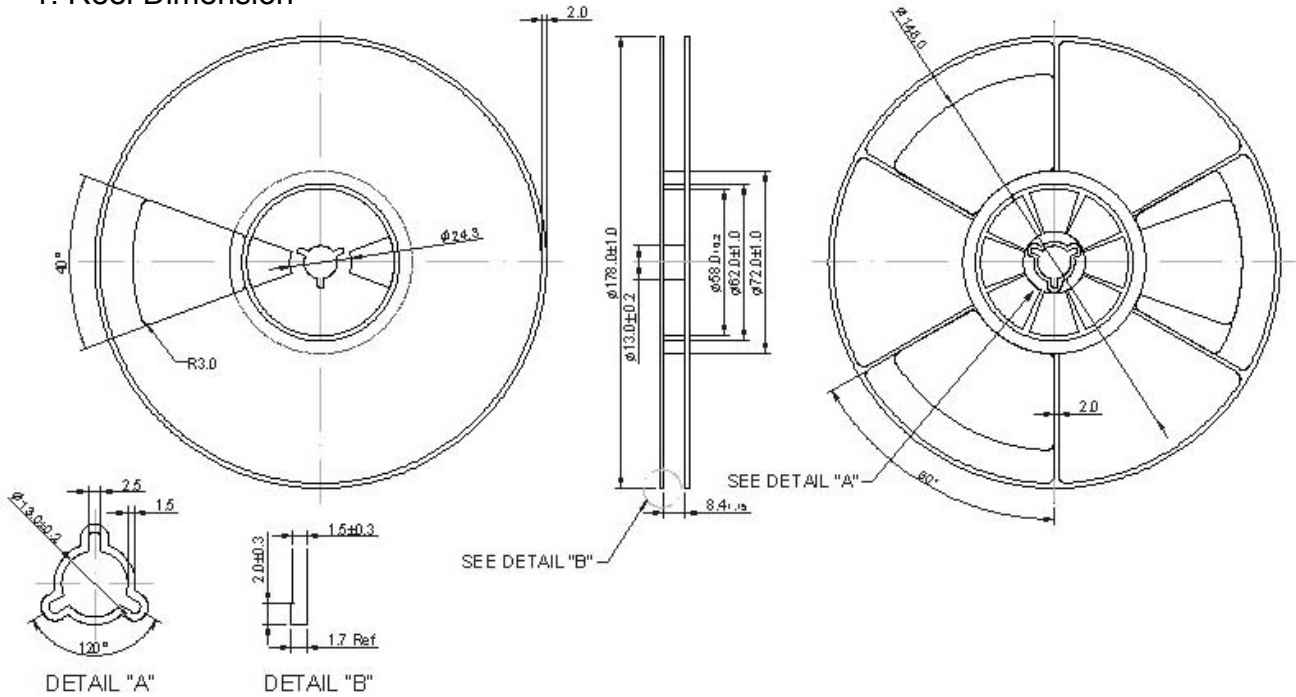


**SAW Filter 2595.0MHz**  
**Part No: MP07938**

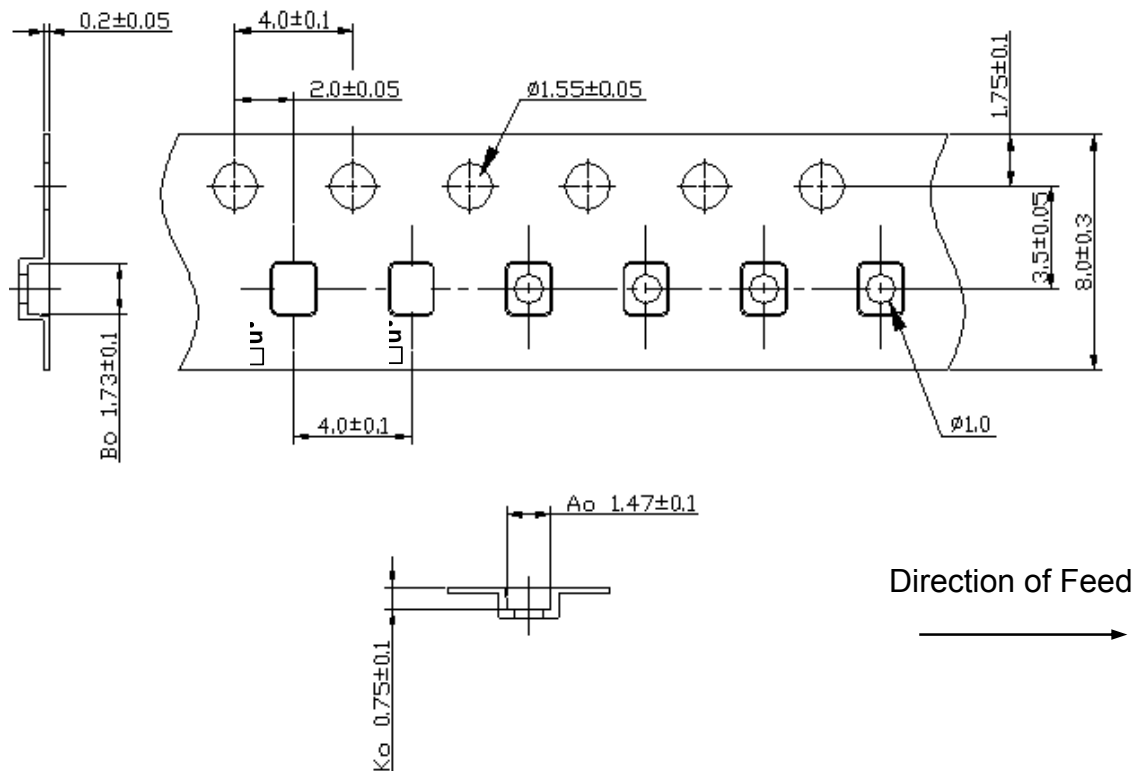
**Model No: TA1962A**  
**Rev No: 1**

**G. PACKING:**

**1. Reel Dimension**



**2. Tape Dimension**



**SAW Filter 2595.0MHz**  
**Part No: MP07938**

**Model No: TA1962A**  
**Rev No: 1**

**H. RECOMMENDED REFLOW PROFILE:**

1. Preheating shall be fixed at 150 ~ 180°C for 60 ~ 90 seconds.
2. Ascending time to preheating temperature 150°C shall be 30 seconds min.
3. Heating shall be fixed at 220°C for 50 ~ 80 seconds and at 245 ~ 260°C peak (min. 10 sec).
4. Time: 2 times.

