

APPROVED: \_\_\_\_\_  
 DATE: \_\_\_\_\_ TITLE: \_\_\_\_\_

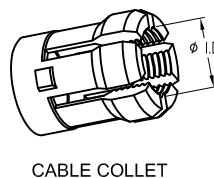
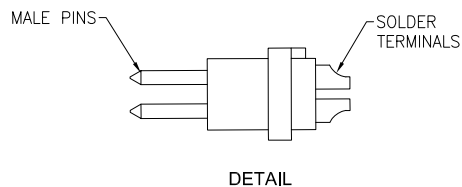
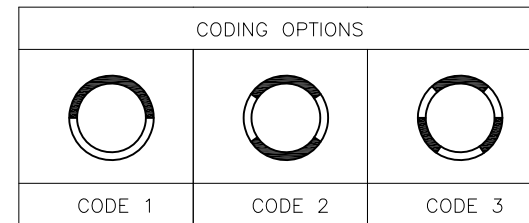
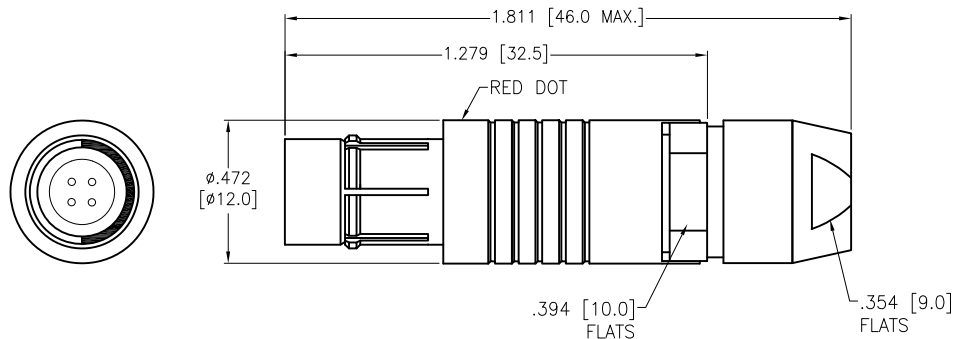
Rev	AWO #	Description	Date	Appr
-		RELEASED	8/16/21	

MMI-M1PXXXSXX-IP68

CODING	
1	= CODE 1
2	= CODE 2
3	= CODE 3

CABLE COLLET SIZE	
42	= 3.2mm ~ 4.2mm ID
52	= 4.2mm ~ 5.2mm ID
62	= 5.2mm ~ 6.2mm ID
72	= 6.2mm ~ 7.2mm ID

# OF POSITIONS  
 02, 03, 04, 05, 06,  
 07, & 12



	2 Pin	3 Pin	4 Pin	5 Pin	6 Pin	7 Pin	12 Pin
Configuration							
Diameter of Pin	Ø1.3	Ø1.3	Ø0.9	Ø0.9	Ø0.7	Ø0.7	Ø0.5
Testing Voltage	1200V	1200V	1150V	1100V	1000V	1000V	800V
Working Voltage	350V	350V	300V	300V	250V	250V	200V
Rated Current / Pin	12A	11A	8A	7A	5A	5A	3A
Max. Wire Awg	20	20	22	22	22	22	28

**SPECIFICATIONS:**

Material:  
 Housing (Body): Brass, Natural Chrome plated  
 Insulator: PPS  
 Terminal: Brass, Gold Plated  
 Electrical:  
 Voltage Rating: See chart  
 Current Rating: See chart  
 Dielectric withstanding voltage: See chart  
 Electrical Life: 5,000 Cycles min.  
 Temperature Rating:  
 Operating temperature: -55°C to +150°C  
 Environmental:  
 IP67, Protection (Mated Condition)  
 Lead free, RoHS compliant



UNLESS OTHERWISE SPECIFIED ALL DIMENSIONS ARE INCHES [MM] TOLERANCES: EXCEPT AS NOTED INCHES HOLES .X ± .10 Ø.X ± .10 .XX ± .020 Ø.XX ± .015 .XXX ± .015 Ø.XXX ± .010		<b>ADAM TECH</b> 909 Rahway Avenue, Union, NJ 07083 Phone: 908-687-5000 Fax: 908-687-5710	
APPROVALS		DATE	
DRAWN	SS	8/16/21	
CHECKED	SS	8/16/21	
APPROVED			
TITLE		PUSH-PULL CONNECTOR MALE PLUG, METAL, SIZE 1, SOLDER TERMINAL, IP68	
SIZE	PART NO.	REV.	
X	MMI-M1PXXXSXX-IP68	-	
REF:	SXXXXXX	SCALE:	NTS
		SHEET 1 OF 1	