

DO NOT SCALE FROM THIS PRINT

TABLE 1			
ITEM	COMPONENT	-HF	-GF
1	SHELL	GRF7V-J-P-F-ST-TH1-SHL	
2	SOCKET	GRF7-J-P-H-ST-TH1-SKT	GRF7-J-P-G-ST-TH1-SKT
3	INSULATOR	GRF7-J-P-ST-INS	

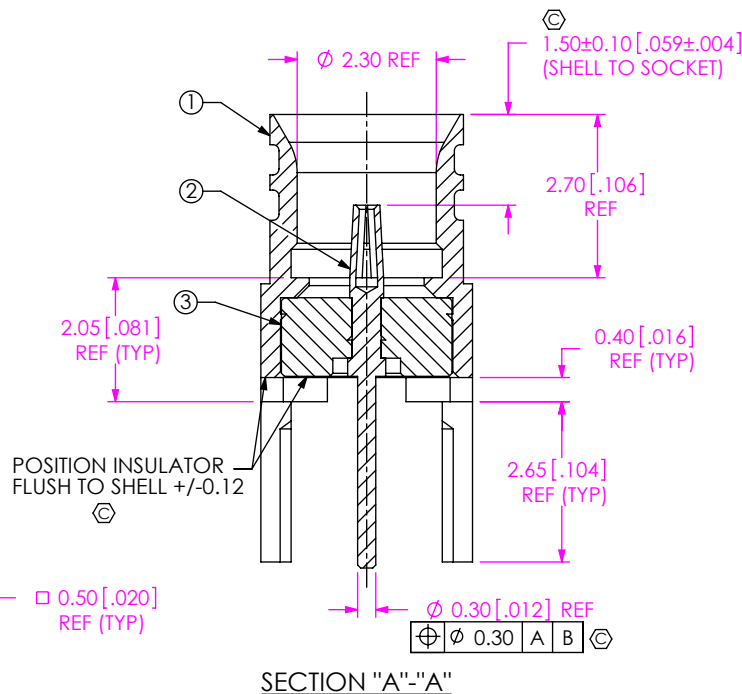
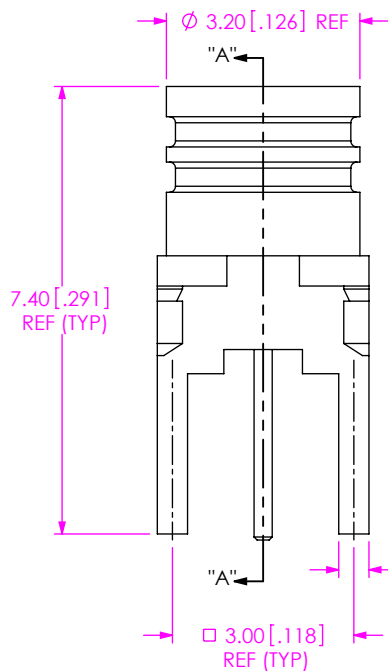
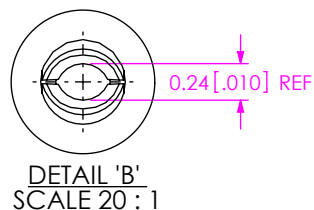
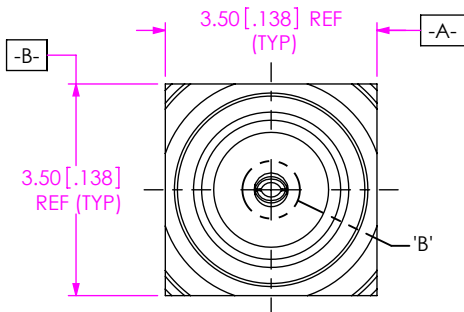


FIG 1
MMCX7-J-P-XX-ST-TH1-ASM SHOWN

MMCX7-J-P-XX-ST-TH1

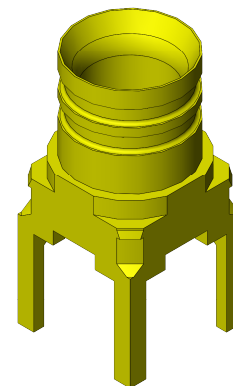
TERMINATION
-TH1: THROUGH HOLE

ORIENTATION
-ST: STRAIGHT

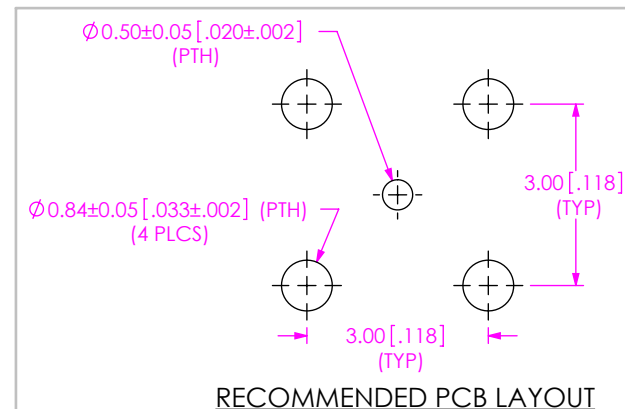
PLATING SPECIFICATION
-HF: 30μ" GOLD CENTER CONTACT,
3μ" GOLD OUTER CONTACT
-GF: 10μ" GOLD CENTER CONTACT,
3μ" GOLD OUTER CONTACT
(SEE TABLE 1)

TYPE
-P: PCB

GENDER
-J: JACK



MMCX7-J-P-XX-ST-TH1-ASM SHOWN



NOTES:

1. Ⓢ REPRESENTS A CRITICAL DIMENSION.
2. MINIMUM PUSHOUT FORCE FOR INSULATOR: 22.24N [5.0 LBS].
3. MINIMUM PUSHOUT FORCE FOR CENTER CONTACT: 11.12N [2.5 LBS].
4. PRODUCT TO BE PACKAGED PER PACKING STANDARD CO-HD-WI-3040-M.
TRAY: TY-SMA001-1
COVER: TY-SMA001-2
200 PARTS PER TRAY (2 PARTS PER POCKET)

UNLESS OTHERWISE SPECIFIED,
DIMENSIONS ARE IN
MILLIMETERS [INCHES].

TOLERANCES ARE:
DECIMALS ANGLES
X.X: ±0.3 [.01] 5°
X.XX: ±0.13 [.005]
X.XXX: ±0.051 [.0020]

PROPRIETARY NOTE

THIS DOCUMENT CONTAINS INFORMATION CONFIDENTIAL AND PROPRIETARY TO SAMTEC, INC. AND SHALL NOT BE REPRODUCED OR TRANSFERRED TO OTHER DOCUMENTS OR DISCLOSED TO OTHERS OR USED FOR ANY PURPOSE OTHER THAN THAT WHICH IT WAS OBTAINED WITHOUT THE EXPRESSED WRITTEN CONSENT OF SAMTEC, INC.

MATERIAL: DO NOT SCALE DRAWING

SHEET SCALE: 8:1

SHELL: BRASS
SOCKET: BeCu
INSULATOR: PTFE

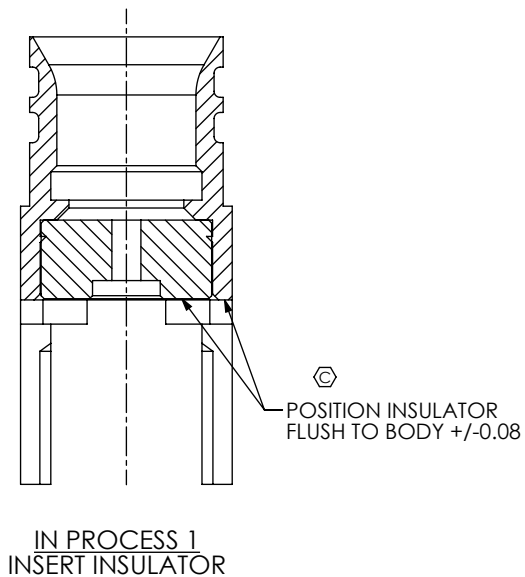


520 PARK EAST BLVD, NEW ALBANY, IN 47150
PHONE: 812-944-6733 FAX: 812-948-5047
e-Mail info@SAMTEC.com code 55322

DESCRIPTION:
MMCX STRAIGHT THROUGH HOLE, JACK- 75 OHM

DWG. NO.
MMCX7-J-P-XX-ST-TH1

BY: ALVINW 10/08/2011 SHEET 1 OF 2



PROPRIETARY NOTE

THIS DOCUMENT CONTAINS INFORMATION
CONFIDENTIAL AND PROPRIETARY TO
SAMTEC, INC. AND SHALL NOT BE REPRODUCED
OR TRANSFERRED TO OTHER DOCUMENTS OR
DISCLOSED TO OTHERS OR USED FOR ANY
PURPOSE OTHER THAN THAT WHICH IT WAS
OBTAINED WITHOUT THE EXPRESSED WRITTEN
CONSENT OF SAMTEC, INC.

DO NOT SCALE DRAWING

SHEET SCALE: 8:1

samtec

520 PARK EAST BLVD, NEW ALBANY, IN 47150
PHONE: 812-944-6733 FAX: 812-948-5047
e-Mail info@SAMTEC.com code 55322

DESCRIPTION:
MMCX STRAIGHT THROUGH HOLE, JACK- 75 OHM

DWG. NO. **MMCX7-J-P-XX-ST-TH1**

BY: ALVINW 10/08/2011 SHEET 2 OF 2