

MINI-M0™

development board for STM32

The whole STM32 development board fitted in DIP40 form factor, containing high-performance STM32F051R8 ARM Cortex-M0 microcontroller.

TO OUR VALUED CUSTOMERS

I want to express my thanks to you for being interested in our products and for having confidence in MikroElektronika.

The primary aim of our company is to design and produce high quality electronic products and to constantly improve the performance thereof in order to better suit your needs.

A white handwritten signature in cursive script, appearing to read 'N. Matic', set against a dark green background.

Nebojsa Matic
General Manager

Table of Contents

Introduction to MINI-M0 for STM32	4
Key features	4
System Specification	5
1. Programming with mikroBootloader	6
step 1 - Connecting MINI-M0 for STM32	6
step 2 - Browsing for .HEX file	7
step 3 - Selecting .HEX file	7
step 4 - Uploading .HEX file	8
step 5 - Finish upload	9
2. Schematic	10
3. Pinout	11
4. Dimensions	12

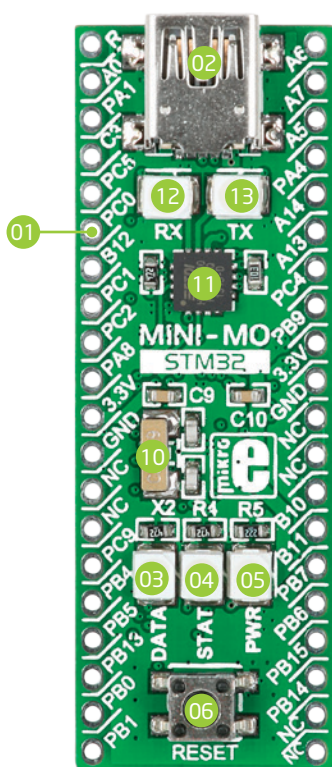
Introduction to MINI-M0 for STM32

Miniature and high-performance development tool designed to work as stand alone device or as MCU card in DIP40 socket. MINI-M0 for STM32 is preprogrammed with USB-UART bootloader so it is not necessary to have external programmer. If there is need for external programmers (mikroProg™ or ST-LINK V2) attach it to MINI-M0 for STM32 via pads marked with PA14 (TCK/SWC), PA13 (TMS/SWD), and RST#.



Key features

- 01 Connection Pads
- 02 USB MINI-B connector
- 03 DATA LED
- 04 STAT LED
- 05 POWER supply LED
- 06 Reset button
- 07 Power supply regulator
- 08 Microcontroller STM32F051R8
- 09 16 MHz Crystal oscillator
- 10 32.768kHz Crystal oscillator
- 11 FTDI FT230x chip
- 12 UART RX LED
- 13 UART TX LED



System Specification



power supply

3.3V via pads or 5V via USB



power consumption

depends on MCU state (max current into 3.3V pad is 300mA)



board dimensions

50.8 x 17.78mm (2 x 0.7")



weight

~6g (0.013 lbs)

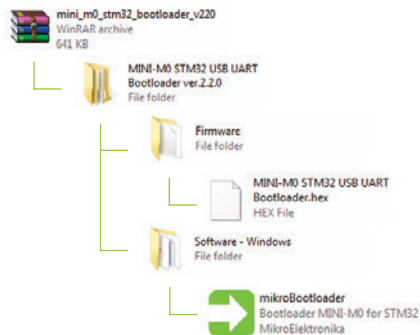
1. Programming with mikroBootloader

You can program the microcontroller with bootloader which is preprogrammed into the device by default. To transfer .HEX file from a PC to MCU you need bootloader software (**UART mikroBootloader**) which can be downloaded from:



http://www.mikroe.com/downloads/get/2055/mini_m0_bootloader_v220.zip

After software is downloaded unzip it to desired location and start mikroBootloader USB UART software.



mikroBootloader software

note Before starting mikroBootloader software, connect MINI M0 for STM32 to a PC using a USB cable provided with the package

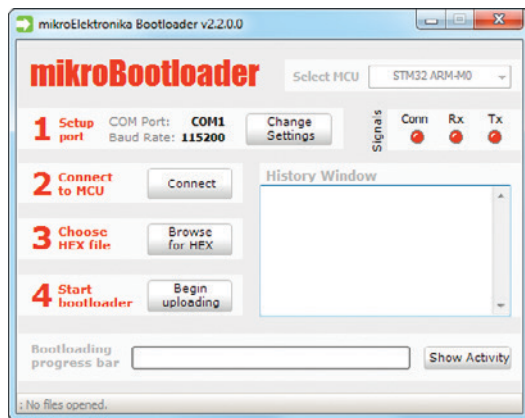


Figure 2-1: mikroBootloader window

01 When you start mikroBootloader software, a window as shown in **Figure 2-1** should appear

Identifying device COM port

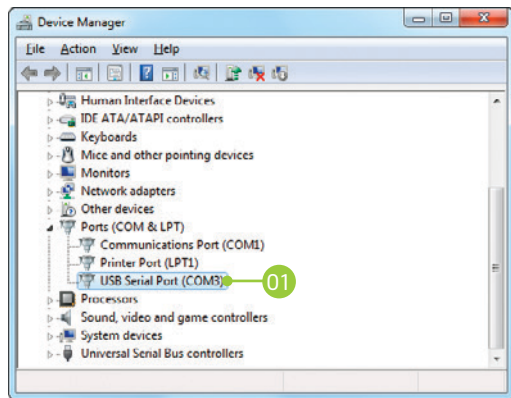


Figure 2-2: Identifying COM port

- 01 Open **Device Manager** window and expand **Ports section** to see which COM port is assigned to MINI M0 for STM32 (in this case it is COM3)

step 1 - Choosing COM port

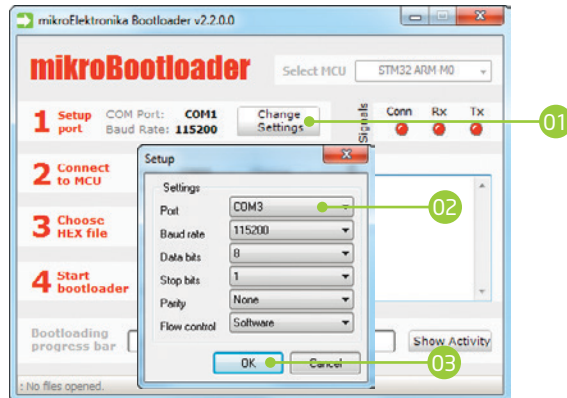


Figure 2-3: Choosing COM port

- 01 Click the **Change Settings** button
- 02 From the drop down list, select appropriate COM **port** (in this case it is COM3)
- 03 Click **OK**

step 2 - Establishing Connection

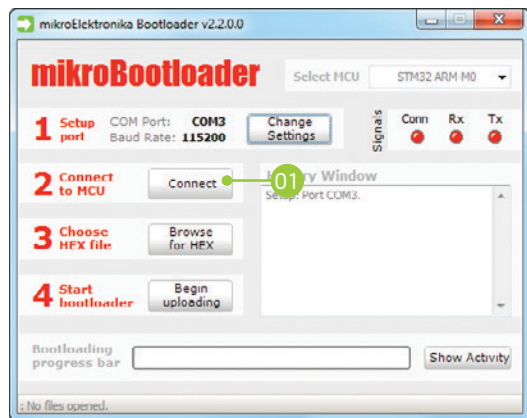


Figure 2-4: Connecting with mikroBootloader

- 01 Press the **Reset** button on MINI M0 for STM32 board and click the **Connect** button within 5s, otherwise the existing microcontroller program will run. If connected, the button's caption will be changed to **Disconnect**

step 3 - Browsing for .HEX file



Figure 2-5: Browse for HEX

- 01 Click the **Browse for HEX** button and from a pop-up window (Figure 2-6) choose a .HEX file to be uploaded to MCU memory

step 4 - Selecting .HEX file

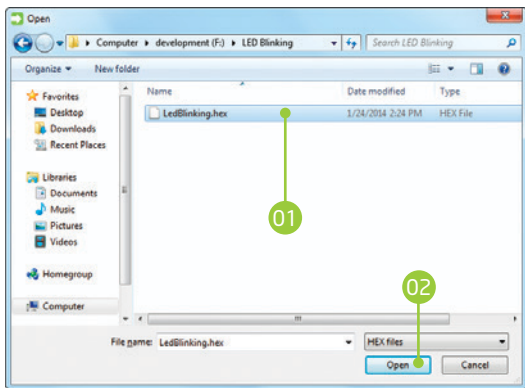


Figure 2-6: Locating and selecting .hex file

- 01 Select .HEX file using open dialog window.
- 02 Click the **Open** button

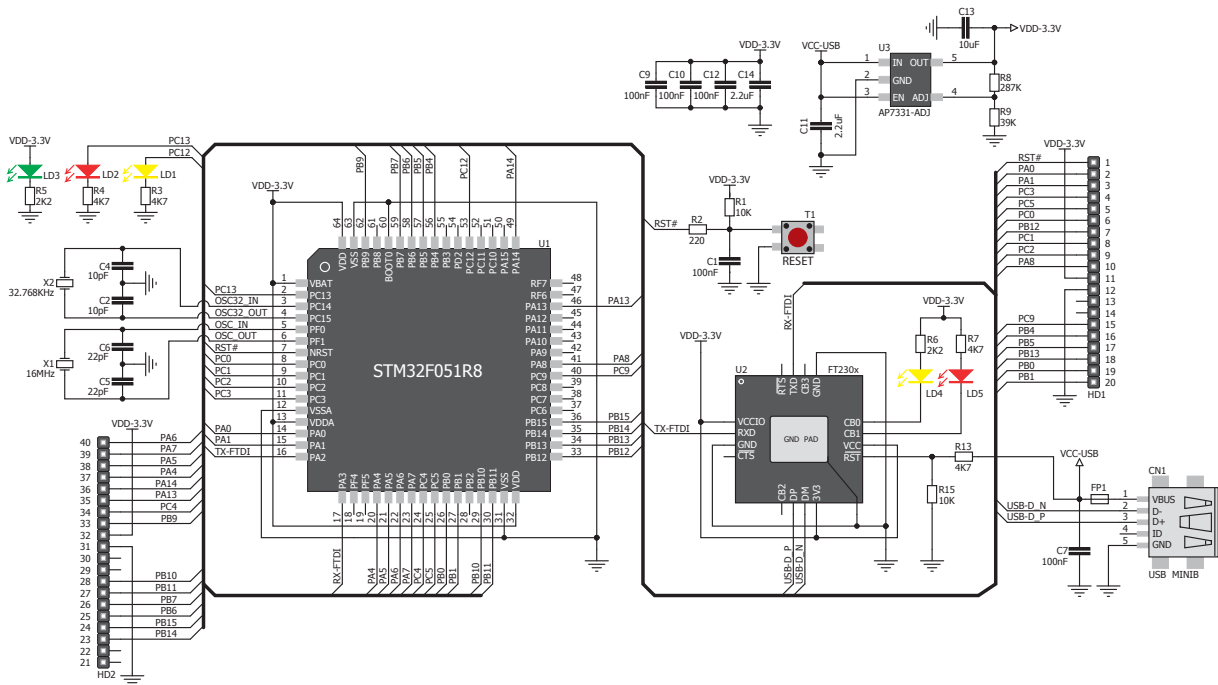
step 5 - Uploading .HEX file



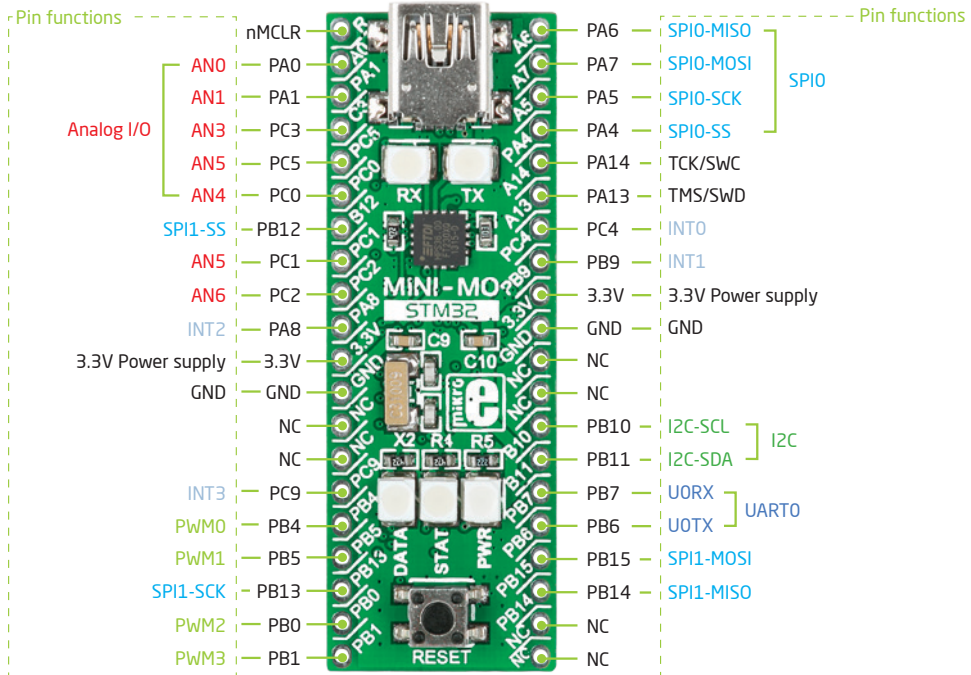
Figure 2-7: Begin uploading

- 01 To start .HEX file bootlodng click the **Begin uploading** button

2. Schematic

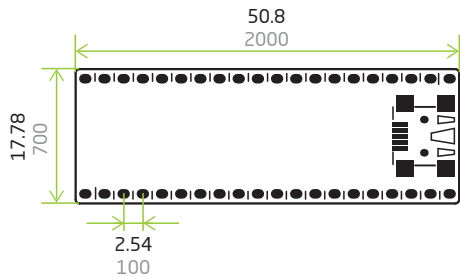


3. Pinout



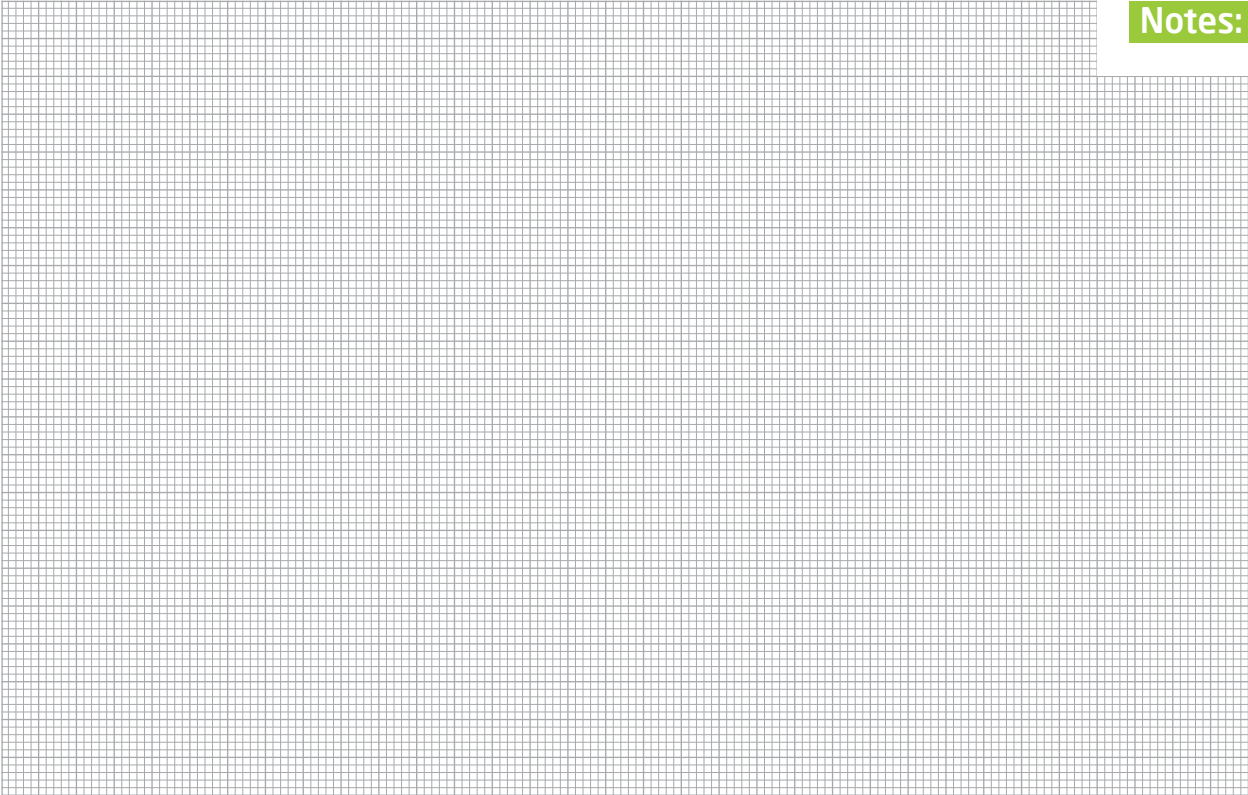
■ Analog Lines
 ■ Interrupt Lines
 ■ SPI Lines
 ■ I2C Lines
 ■ UART lines
 ■ PWM lines

4. Dimensions



Legend

— mm
— mils



Notes:

DISCLAIMER

All the products owned by MikroElektronika are protected by copyright law and international copyright treaty. Therefore, this manual is to be treated as any other copyright material. No part of this manual, including product and software described herein, may be reproduced, stored in a retrieval system, translated or transmitted in any form or by any means, without the prior written permission of MikroElektronika. The manual PDF edition can be printed for private or local use, but not for distribution. Any modification of this manual is prohibited.

MikroElektronika provides this manual 'as is' without warranty of any kind, either expressed or implied, including, but not limited to, the implied warranties or conditions of merchantability or fitness for a particular purpose.

MikroElektronika shall assume no responsibility or liability for any errors, omissions and inaccuracies that may appear in this manual. In no event shall MikroElektronika, its directors, officers, employees or distributors be liable for any indirect, specific, incidental or consequential damages (including damages for loss of business profits and business information, business interruption or any other pecuniary loss) arising out of the use of this manual or product, even if MikroElektronika has been advised of the possibility of such damages. MikroElektronika reserves the right to change information contained in this manual at any time without prior notice, if necessary.

HIGH RISK ACTIVITIES

The products of MikroElektronika are not fault - tolerant nor designed, manufactured or intended for use or resale as on - line control equipment in hazardous environments requiring fail - safe performance, such as in the operation of nuclear facilities, aircraft navigation or communication systems, air traffic control, direct life support machines or weapons systems in which the failure of Software could lead directly to death, personal injury or severe physical or environmental damage ('High Risk Activities'). MikroElektronika and its suppliers specifically disclaim any expressed or implied warranty of fitness for High Risk Activities.

TRADEMARKS

The MikroElektronika name and logo, the MikroElektronika logo, mikroC™, mikroBasic™, mikroPascal™, MINI™, EasyMX PRO™, mikroBUS™, Click Boards™, mikroProg™, and mikromedia™ are trademarks of MikroElektronika. All other trademarks mentioned herein are property of their respective companies.

All other product and corporate names appearing in this manual may or may not be registered trademarks or copyrights of their respective companies, and are only used for identification or explanation and to the owners' benefit, with no intent to infringe.



If you want to learn more about our products, please visit our website at www.mikroe.com

If you are experiencing some problems with any of our products or just need additional information, please place your ticket at www.mikroe.com/support/

If you have any questions, comments or business proposals,
do not hesitate to contact us at office@mikroe.com

MINI-M0 for STM32
ver. 1.00

