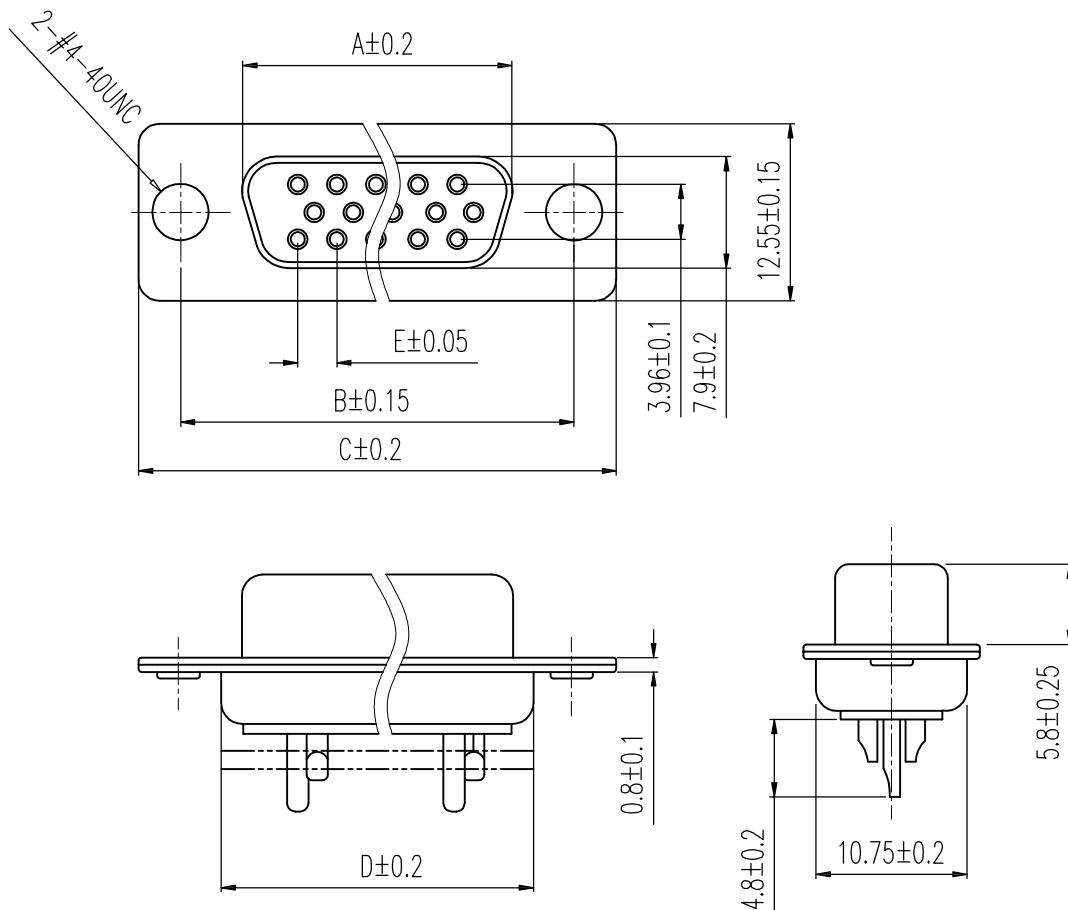


THIS IS A C.A.D. GENERATED DRAWING
DO NOT MAKE MANUAL REVISIONS TO MASTER.



* UNLESS OTHERWISE SPECIFIED TOLERANCES
ON DECIMAL IS: ANGLE $\pm 1^\circ$
.X ± 0.20
.XX ± 0.15
.XXX ± 0.05



REMARK:

1 CHARACTERISTICS:

- 1.1 RATED VOLTAGE: 250V
- 1.2 RATED CURRENT: 3AMP
- 1.3 CONTACT RESISTANCE: 35mohms MAX. INITIAL
50mohms MAX. AFTER
- 1.4 INSULATION RESISTANCE: 1000Mohms MIN. at 500V DC
- 1.5 DIELECTRIC STRENGTH: 500VRMS
- 1.6 OPERATING TEMPERATURE RANGE: $-55^\circ\text{C}\sim 85^\circ\text{C}$
- 1.7 INSERTION/EXTRACTION FORCE PER CONTACT: 340g Max./21g Min
- 1.8 MATING/UNMATING CYCLES: 50MATINGS MIN FOR GOLD-FLASH
200MATINGS MIN FOR 10u" GOLD

2 MATERIAL:

- 2.1 INSULATORS: PBT+30% G.F (UL94V-0) BLACK
- 2.2 CONTACTS: BRASS C2800R-H, GOLD(G/F or 1u")TOP OVER CONTACT AREA, 100u" Min MATTE-TIN TOP OVER SOLDER AREA, 50u" Min NICKEL UNDER PLATE.
- 2.3 FRONT SHELL: SPCC, 100u" Min BRIGHT TIN TOP OVER, 50u" Min COPPER UNDER PLATED
- 2.4 BACK SHELL: SPCC, 100u" Min BRIGHT TIN TOP OVER, 50u" Min COPPER UNDER PLATED

POS.	A	B	C	D	E
09	16.33	24.99	30.80	19.28	2.29
15	24.85	33.32	39.10	27.75	2.29
25	38.38	47.04	53.00	41.30	2.29
37	54.86	63.50	69.30	57.40	2.41

Order Codes:

Socket Connector	Stamp & Formed
15-WAY	2101-0300-11 MHHDS-15-F-T-B-S
26-WAY	2101-0300-12 MHHDS-26-F-T-B-S
44-WAY	2101-0300-13 MHHDS-44-F-T-B-S
62-WAY	2101-0300-14 MHHDS-62-F-T-B-S

THESE DRAWINGS AND SPECIFICATIONS ARE THE PROPERTY OF MH CONNECTORS LTD. AND SHALL NOT BE REPRODUCED, COPIED OR USED AS THE BASIS FOR THE MANUFACTURE OR SALE OF APPARATUS WITHOUT WRITTEN PERMISSION.

DRAWN JOHNNY	DATE 01-04-13
APPROVED DAMIEN	DATE 01-07-14



THIS SERIES FULLY CONFORMS TO THE EUROPEAN UNION DIRECTIVES 2002/95/EC AND 2002/96/EC FOR RoHS COMPLIANCY.



MH CONNECTORS LTD.

SCALE 1:1	SHEET OF 1 OF 1	REV: 6.0
DRAWING No MHHDS-XX-F-T-B-S		