

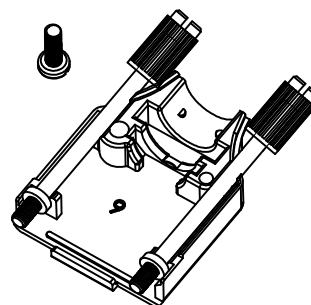
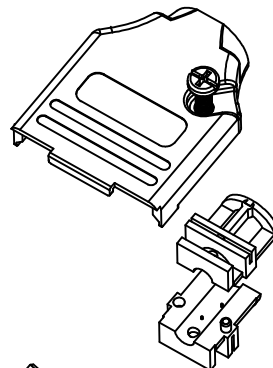
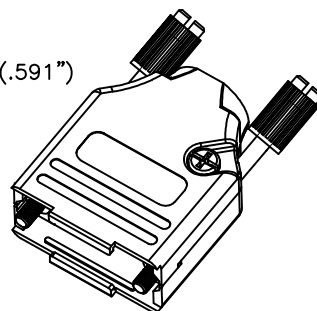
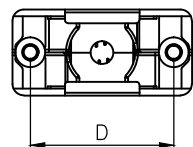
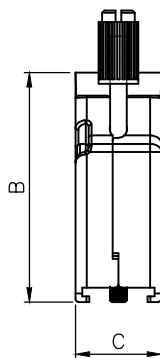
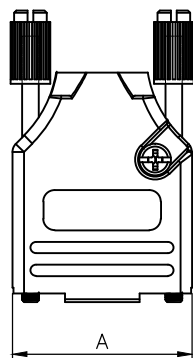
THIS IS A C.A.D. GENERATED DRAWING
DO NOT MAKE MANUAL REVISIONS TO MASTER.



* UNLESS OTHERWISE SPECIFIED TOLERANCES
ON DECIMAL IS: ANGLE $\pm 1^\circ$
UNIT: MM .XX ± 0.35

BACKSHELL KIT INCLUDES:

- (2)BACKSHELL HALVES
- (2)4-40 THUMBSCREWS
- (2)HOUSING SCREWS
- (1)SET OF COMPRESSION INSERTS-VARIOUS SIZES FOR 9-37
DIAMETERS 4mm(.157"), 5mm(.167"), 7mm(.276"), 9mm(.354")
- (1)SET OF COMPRESSION INSERTS-VARIOUS SIZES FOR 50
DIAMETERS 11mm(.433"), 12.5mm(.492"), 14mm(.551"), 15mm(.591")



DIMENSIONS(mm/in)				
SIZE	A ± 0.02	B ± 0.02	C ± 0.02	D ± 0.01
9	31.20	39.90	15.00	24.99
	1.228	1.571	0.591	0.984
15	39.50	41.50	15.00	33.32
	1.555	1.634	0.591	1.312
25	53.40	48.60	15.00	47.04
	2.102	1.913	0.591	1.852
37	69.70	53.60	15.00	63.50
	2.744	2.110	0.591	2.500
50	67.50	54.00	18.70	61.00
	2.657	2.126	0.736	2.402

ORDERING INFORMATON:

SIZE	P/N - KITTED	PRODUCT CODE
9-WAY	6560-3105-01	MHDTZK-09-RA-PC-K
15-WAY	6560-3105-02	MHDTZK-15-RA-PC-K
25-WAY	6560-3105-03	MHDTZK-25-RA-PC-K
37-WAY	6560-3105-04	MHDTZK-37-RA-PC-K
50-WAY	6560-3105-05	MHDTZK-50-RA-PC-K

SIZE	P/N - BULK	PRODUCT CODE
9-WAY	6561-3105-01	MHDTZK-09-RA-PC
15-WAY	6561-3105-02	MHDTZK-15-RA-PC
25-WAY	6561-3105-03	MHDTZK-25-RA-PC
37-WAY	6561-3105-04	MHDTZK-37-RA-PC
50-WAY	6561-3105-05	MHDTZK-50-RA-PC

BACKSHELL MATERIAL: DIE-CAST ZINC ALLOY
PLATING: NICKEL
JACKSCREWS: STEEL:ZN PLATED WITH PLASTIC KNOB
M3 HOODSCREWS: STEEL:ZN PLATED
COMPRESSION INSERT: ABS,UL RECOGNIZED
OPERATING TEMP: -40°C TO+120°C

THESE DRAWINGS AND SPECIFICATIONS ARE THE PROPERTY OF MH CONNECTORS AND SHALL NOT BE REPRODUCED, COPIED OR USED AS THE BASIS FOR THE MANUFACTURE OR SALE OF APPARATUS WITHOUT WRITTEN PERMISSION.

DRAWN Johnny	DATE 11-24-15
APPROVED Victor Lin	DATE 11-24-15



THIS SERIES FULLY CONFORMS TO THE EUROPEAN UNION DIRECTIVES 2002/95/EC AND 2002/96/EC FOR RoHS COMPLIANCY.



**MH CONNECTORS ,
DIVISION OF EDAC**

SCALE 1 : 1	SHEET OF 1 OF 1	REV: 7.0
DRAWING No MHDTZK-RA-PC		