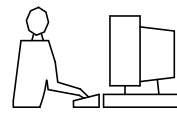


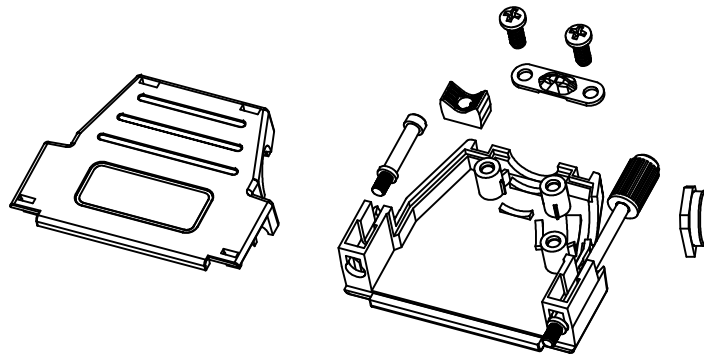
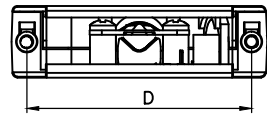
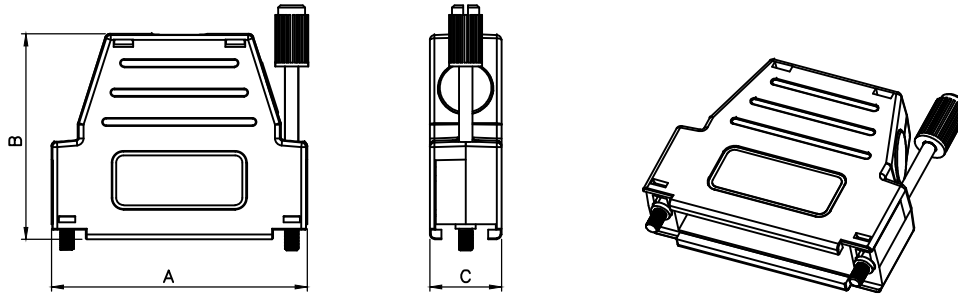
THIS IS A C.A.D. GENERATED DRAWING
DO NOT MAKE MANUAL REVISIONS TO MASTER.



* UNLESS OTHERWISE SPECIFIED TOLERANCES
ON DECIMAL IS: ANGLE $\pm 1^\circ$
UNIT: MM .XX ± 0.35

BACKSHELL KIT INCLUDES:

- (2)BACKSHELL HALVES
- (3)4-40 THUMBSCREWS
- (2)CLAMP SCREWS
- (2)CLAMP
- (1)BLANKING PLUG



DIMENSIONS(mm/in)				
SIZE	A $\pm 1.6(+.063)$ $\pm .50(-.02)$	B $\pm 1.1(+.043)$ $\pm .50(-.02)$	C $\pm .80(+.032)$ $\pm .50(-.02)$	D $\pm .50$ $\pm .02$
9	31.5	40.0	15.00	24.99
	1.240	1.575	0.591	0.984
15	40.0	40.0	15.00	33.32
	1.575	1.575	0.591	1.312
25	53.5	43.0	15.00	47.04
	2.106	1.693	0.591	1.852

ORDERING INFORMATION:

SIZE	P/N - KITTED	PRODUCT CODE
9-WAY	6260-0107-01	MHDSSK-P-09-L-K
15-WAY	6260-0107-02	MHDSSK-P-15-L-K
25-WAY	6260-0107-03	MHDSSK-P-25-L-K

SIZE	P/N - BULK	PRODUCT CODE
9-WAY	6261-0107-01	MHDSSK-P-09-L
15-WAY	6261-0107-02	MHDSSK-P-15-L
25-WAY	6261-0107-03	MHDSSK-P-25-L

BACKSHELL MATERIAL:
JACKSCREWS:
MATING SCREW:
BLANKING PLUG:
CLAMP SCREW:
METAL CLAMP:
PLASTIC CLAMP:
OPERATING TEMP:

ABS,UL RECOGNIZED BLACK
STEEL:ZN PLATED WITH PLASTIC KNOB
STEEL:ZN PLATED
ABS,UL RECOGNIZED
STEEL:ZN PLATED
STEEL:ZN PLATED
ABS,UL RECOGNIZED
-55°C TO+110°C

THESE DRAWINGS AND SPECIFICATIONS ARE THE PROPERTY OF MH CONNECTORS AND SHALL NOT BE REPRODUCED, COPIED OR USED AS THE BASIS FOR THE MANUFACTURE OR SALE OF APPARATUS WITHOUT WRITTEN PERMISSION.

DRAWN
Johnny
DATE
11-24-15

APPROVED
Victor Lin
DATE
11-24-15

SCALE
1 : 1
SHEET OF
1 OF 1
REV:
3.0

DRAWING No
MHDSSK-P-XX-L



THIS SERIES FULLY CONFORMS TO THE EUROPEAN UNION DIRECTIVES 2002/95/EC AND 2002/96/EC FOR RoHS COMPLIANCY.



**MH CONNECTORS ,
DIVISION OF EDAC**