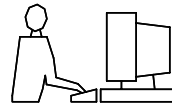


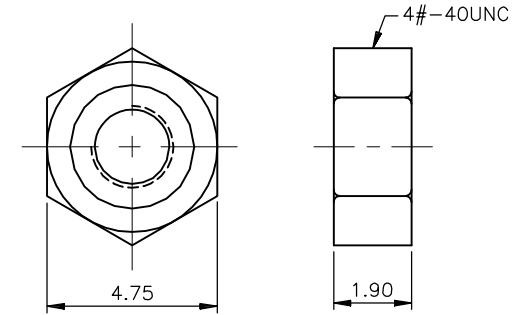
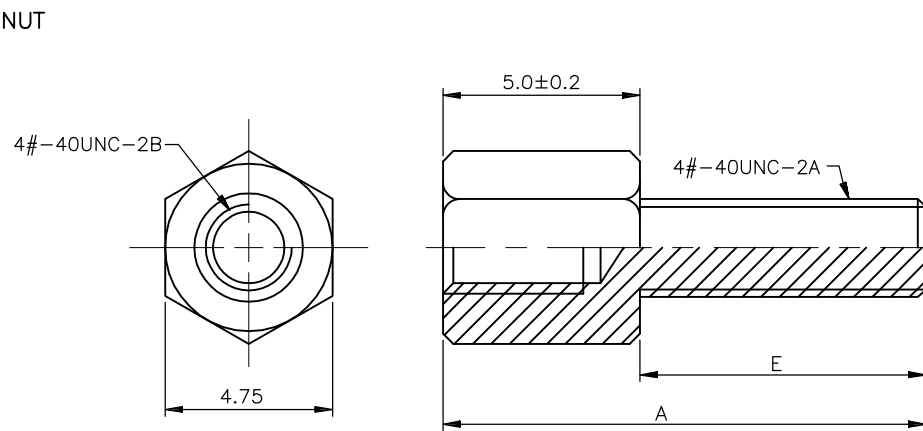
THIS IS A C.A.D. GENERATED DRAWING
DO NOT MAKE MANUAL REVISIONS TO MASTER.



* UNLESS OTHERWISE SPECIFIED TOLERANCES
ON DECIMAL IS: X.X 0.38
 X.XX 0.25
UNIT: MM

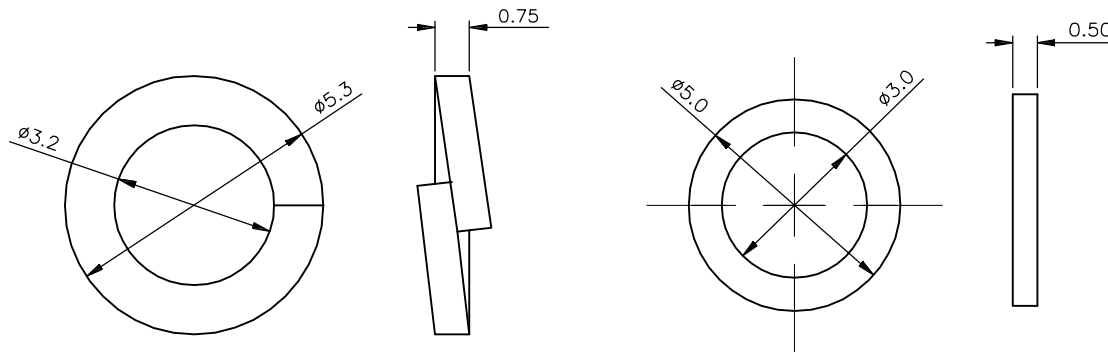
FEMALE SCREW LOCK KIT INCLUDES:

- (2)SCREW
- (2)FLAT WASHER
- (2)SPLIT WASHER
- (2)NUT



SPECIFICATION

1. Screw: Copper, Nickel Plated
2. Nut: Steel, Nickel Plated
3. Washer: Steel, Nickel Plated



Female Screw Lock:

Order Code	Name	E±0.3	A±0.3
2750-0111-01	DJF-5	5mm	10.0mm
2750-0111-02	DJF-7	7mm	11.8mm
2750-0111-03	DJF-8	8mm	12.8mm
2750-0111-04	DJF-10	10mm	15.0mm
2750-0111-05	DJF-14	14mm	19.0mm

THESE DRAWINGS AND SPECIFICATIONS ARE THE PROPERTY OF MH CONNECTORS LTD. AND SHALL NOT BE REPRODUCED, COPIED OR USED AS THE BASIS FOR THE MANUFACTURE OR SALE OF APPARATUS WITHOUT WRITTEN PERMISSION.

DRAWN Haley	DATE 09-03-14
APPROVED Paul	DATE 09-04-14



THIS SERIES FULLY CONFORMS TO THE EUROPEAN UNION DIRECTIVES 2002/95/EC AND 2002/96/EC FOR RoHS COMPLIANCY.



MH CONNECTORS LTD.

SCALE	SHEET OF 1 OF 1	REV: 5.0
DRAWING No 2750-0111-0X		