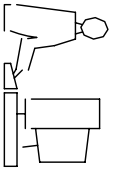
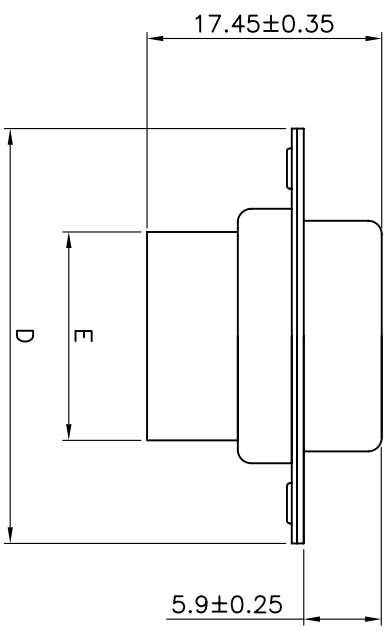
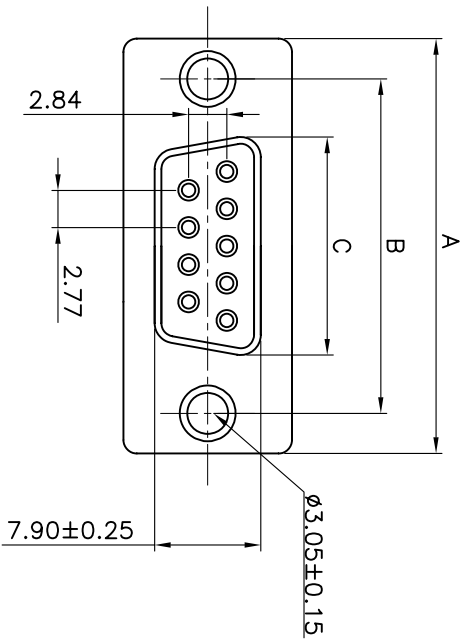
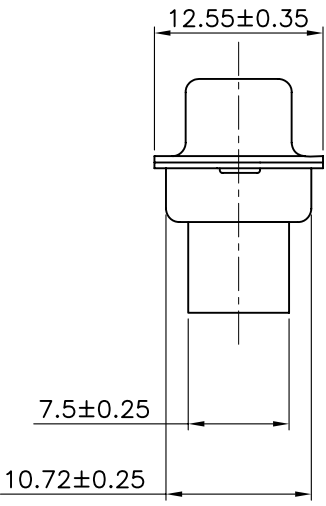


THIS IS A C.A.D. GENERATED DRAWING
DO NOT MAKE MANUAL REVISIONS TO MASTER.



* UNLESS OTHERWISE SPECIFIED TOLERANCES
ON DECIMAL IS: ANGLE ± 1°
.X ± 0.25
.XX ± 0.15



Remark:

1. SPECIFICATION:

- Rated voltage: 250V
- Rates current: 3AMP
- Contact resistance: 30MΩ MAX
- Insulation resistance: 1000MΩ MIN. at 500V DC
- Withstand voltage: 500V Per minute
- Temperature range: -55 -105°C

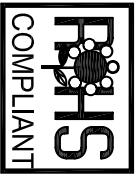
2. MATERIAL:

Plastic: PBT+30% G.F (UL94V-0) BLACK
Spcc shell: Spcc front shell is tin plated back shell is tin plated

PIN	A±0.25	B±0.25	C±0.25	D±0.25	E±0.25
09	30.81	24.99	16.33	19.28	15.50
15	39.25	33.32	24.66	27.55	24.75
25	53.03	47.04	38.38	41.25	38.00
37	69.40	63.50	54.85	57.40	54.20

THESE DRAWINGS AND SPECIFICATIONS ARE THE PROPERTY OF MH CONNECTORS LTD. AND SHALL NOT BE REPRODUCED, COPIED OR USED AS THE BASIS FOR THE MANUFACTURE OR SALE OF APPARATUS WITHOUT WRITTEN PERMISSION.

DRAWN Johnny	DATE 12-20-12
APPROVED	DATE



THIS SERIES FULLY CONFORMS TO THE
EUROPEAN UNION DIRECTIVES 2002/95/EC
AND 2002/96/EC FOR ROHS COMPLIANCY.



MH CONNECTORS LTD.

SCALE 1:1	SHEET OF 1 DF 1	REV: 1
DRAWING No MHDBC09/15/25/37-SS		