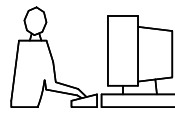
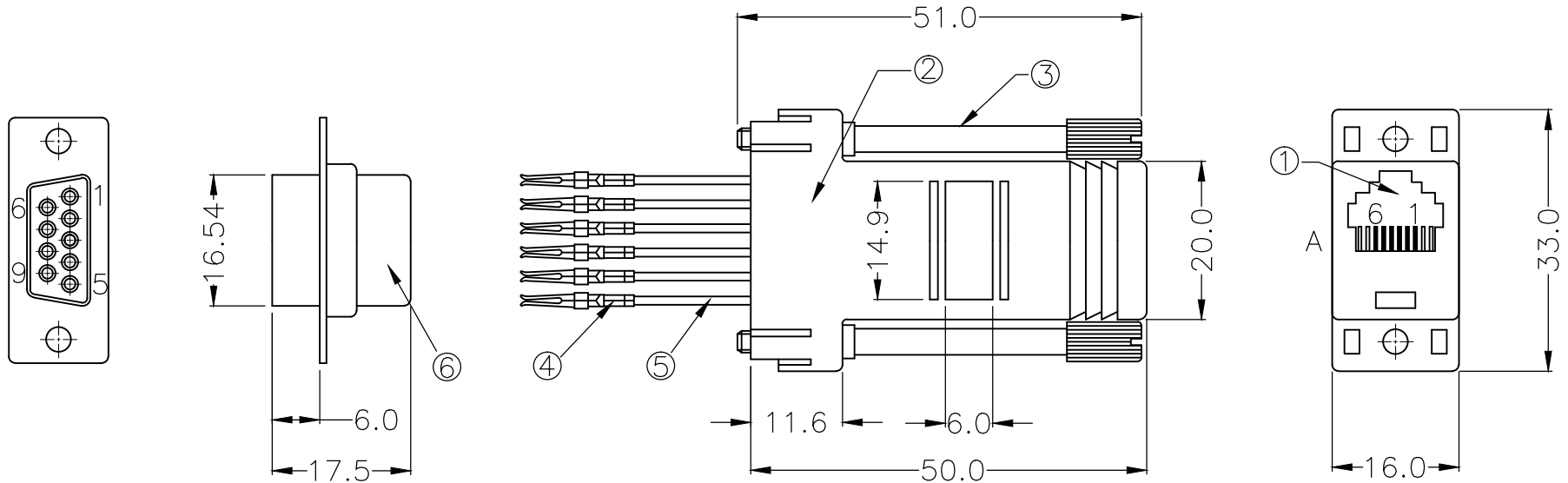


THIS IS A C.A.D. GENERATED DRAWING
DO NOT MAKE MANUAL REVISIONS TO MASTER.



* UNLESS OTHERWISE SPECIFIED TOLERANCES
ON DECIMAL IS:

UNIT: MM .X ±0.38
.XX ±0.25



A	1	2	3	4	5	6
Color	Black	Yellow	Orange	Red	Green	Brown

Order Information		Unshielded Version
Size	P/N-Kitted	Product Code
9-Way	2112-0100-01	MHDA09-SMJ6-K-RC

RoHS Compliant

NO	Name	Description	Q'ty
1	Conn	Modular Jack 10P6C Female,ABS,Gray,Gold Flash Contact	1
2	Hood	ABS,Gray	1
3	Screw	#4-40UNC Thumb Screw Nickel Plated	2
4	Wire	UL1061,26AWG,7 Strand Lead Wire	6
5	Terminal	P/N:DCFG-H,PH2.77 D-SUB Female Matching Terminal, Copper,Gold Plated	6
6	Conn	P/N:DC09ST-H,PH2.77 Crimp Wire D-SUB Female 9pin Black Insulator	1

THESE DRAWINGS AND SPECIFICATIONS ARE THE PROPERTY OF MH CONNECTORS LTD. AND SHALL NOT BE REPRODUCED, COPIED OR USED AS THE BASIS FOR THE MANUFACTURE OR SALE OF APPARATUS WITHOUT WRITTEN PERMISSION.

DRAWN	DATE
HALEY	10-11-13

APPROVED	DATE
DAMIEN	01-07-14

SCALE	SHEET OF	REV:
	1 OF 1	2.0

DRAWING No
MHDA09-SMJ6-K-RC

MH CONNECTORS LTD.



THIS SERIES FULLY CONFORMS TO THE EUROPEAN UNION DIRECTIVES 2002/95/EC AND 2002/96/EC FOR RoHS COMPLIANCY.