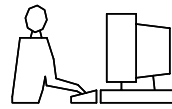
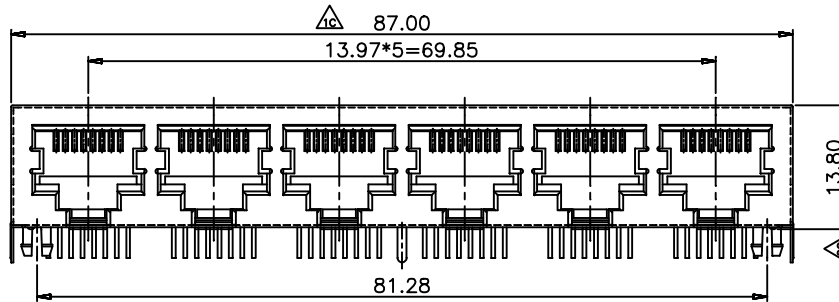


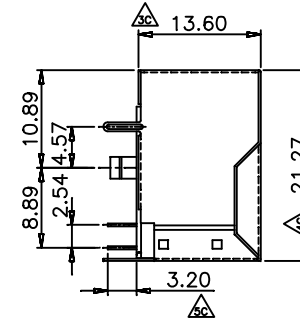
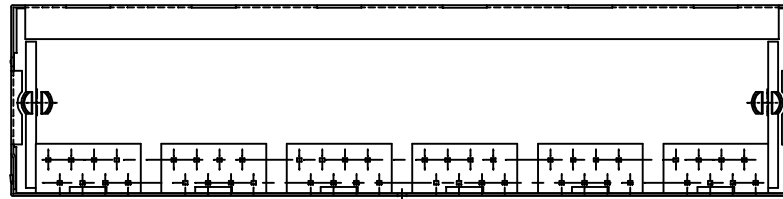
THIS IS A C.A.D. GENERATED DRAWING  
DO NOT MAKE MANUAL REVISIONS TO MASTER.



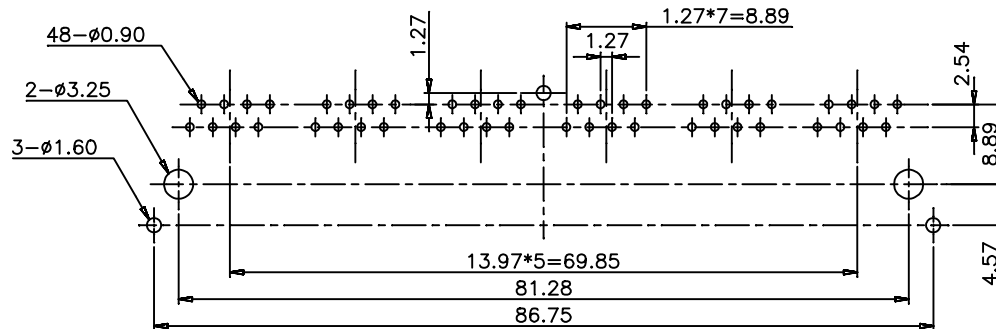
\* UNLESS OTHERWISE SPECIFIED TOLERANCES  
ON DECIMAL IS: X.X ±0.38  
X.XX ±0.25  
UNIT: MM X.XXX ±0.10  
X.' ±3'



**MATERIALS:**  
PLASTIC HOUSING: ENGINEERING THERMOPLASTIC  
FLAMMABILITY RATING UL 94V-0.  
CONTACTS: 0.35mm THICKNESS PHOSPHOR BRONZE  
PLATING: GOLD PLATING OVER NICKEL IN CONTACT.  
TIN PLATING OVER NICKEL IN SOLDER AREA.  
SHIELDED: BRASS WITH NICKEL PLATED



PCB LAYOUT/TOP VIEW



THESE DRAWINGS AND SPECIFICATIONS ARE THE PROPERTY OF MH CONNECTORS LTD. AND SHALL NOT BE REPRODUCED, COPIED OR USED AS THE BASIS FOR THE MANUFACTURE OR SALE OF APPARATUS WITHOUT WRITTEN PERMISSION.

DRAWN ARTHUR	DATE 05-15-18
APPROVED VICTOR	DATE 05-15-18



THIS SERIES FULLY CONFORMS TO THE EUROPEAN UNION DIRECTIVES 2002/95/EC AND 2002/96/EC FOR RoHS COMPLIANCY.



MH CONNECTORS LTD.

SCALE	SHEET OF 1 OF 1	REV: 1.0
DRAWING No MH3012-S-06		