

MAX38912 TDFN Evaluation Kit

Evaluates: MAX38912

General Description

The MAX38912 TDFN evaluation kit (EV kit) evaluates the MAX38912 in a TDFN package. The MAX38912 is a low-noise, high-PSRR pMOS linear regulator. The MAX38912 TDFN EV kit operates over an input range of 1.7V to 5.5V, provides an output-voltage range from 0.8V to 5.0V, and can deliver up to 500mA of current. The EV kit comes with the MAX38912ATA+ installed.

MAX38912 TDFN EV Kit Files

FILE	DESCRIPTION
MAX38912 TDFN EV BOM	EV Kit Bill of Material
MAX38912 TDFN EV PCB Layout	EV Kit PCB Layout
MAX38912 TDFN EV Schematic	EV Kit Schematic
MAX38912 TDFN EV Minimal Component Schematic	Minimal Component Circuit

Benefits and Features

- Evaluates the MAX38912 in an 8-pin (2mm x 2mm) TDFN Package
- 1.7V to 5.5V Input Range
- 0.8V to 5.0V External Feedback Resistor Configuration
- Up to 500mA Output Current
- Jumper-Selectable Operating Modes
- Proven 2-Layer 1oz Copper PCB Layout
- Demonstrates Compact Solution Size
- Fully Assembled and Tested

[Ordering Information](#) appears at end of data sh

MAX38912 TDFN EV Kit Board Photo



Quick Start

Required Equipment

- MAX38912 TDFN EV kit
- 5.5V, 1A DC power supply
- Electronic load capable of 500mA
- Digital voltmeter (DVM)

Procedure

The EV kit is fully assembled and tested. Follow the steps to verify board operation.

Caution: Do not turn on the power supply until all connections are completed.

1. Verify that the jumper JU1 has a shunt across pins 1 and 2 (EV kit enabled) as shown in [Table 1](#).
2. Verify that the jumper JU2 has a shunt across pins 1 and 2 (Normal mode) as shown in [Table 2](#).
3. Connect the 1.7V power supply between the IN and GND banana jacks.
4. Connect the 500mA electronic load between the OUT and GND banana jacks.
5. Connect the DVM between the OUT and GND banana jacks.
6. Turn on the power supply.
7. Enable the electronic load.
8. Verify that the output voltage is approximately 1.0V.

Detailed Description of Hardware

The MAX38912 TDFN evaluation kit evaluates the MAX38912 in a TDFN package. The MAX38912 is a low-noise linear regulator that delivers 500mA of output current with only $11\mu\text{V}_{\text{RMS}}$ of output noise from 10Hz to 100kHz. The MAX38912 has a high PSRR of 70dB at 10Hz. This regulator requires only 62mV of input-to-output headroom at full load.

The EV kit operates over an input range of 1.7V to 5.5V. The EV kit comes with the MAX38912ATA+ installed. The EV Kit's output voltage is set to 1.0V by external feedback resistors R1 and R2. The EV Kit can deliver up to 500mA of current in Normal mode. In Low-Power mode (LPM), the output-current limit is configured up to 20mA, and has a no-load quiescent current of $19.2\mu\text{A}$.

EN (Enable)

The EV kit provides a jumper JU1 to enable or disable the MAX38912. See [Table 1](#) for jumper JU1 settings.

Table 1. EN (JU1)

JU1 SHUNT POSITION	DESCRIPTION
1-2*	Enabled. EN = IN
2-3	Disabled. EN = GND

*Default Position

MODE (Mode Selection)

The EV kit provides a jumper JU2 to select between Normal and Lower-Power modes for the MAX38912. See [Table 2](#) for JU2 jumper settings.

Table 2. MODE (JU2)

JU2 SHUNT POSITION	DESCRIPTION
1-2*	Normal. MODE = IN (Output Current up to 500mA)
2-3	LPM. MODE = GND (Output Current up to 20mA)

*Default Position

POK (Power OK)

The EV Kit provides a test point to monitor the POK status of the MAX38912. POK is pulled up to OUT via resistor R3 to create a signal that goes high after the regulator output has reached its regulation voltage. POK can also be pulled up to IN, the input supply via resistor R4 (after removing R3 and installing a resistor onto R4).

Evaluating Other Output Voltages

The EV kit can evaluate the MAX38912 in other output voltages, between 0.8V and 5.0V, after replacing external feedback resistors R1 and R2. Refer to the MAX38912 IC data sheet, *Output Voltage Configuration* section, for more information on calculating the output voltage feedback resistor values.

Component Suppliers

SUPPLIER	WEBSITE
Murata/TOKO	www.murata.com
TDK	www.tdk.com
Samsung Electro-Mechanics America. Inc.	www.samsungsem.com

Ordering Information

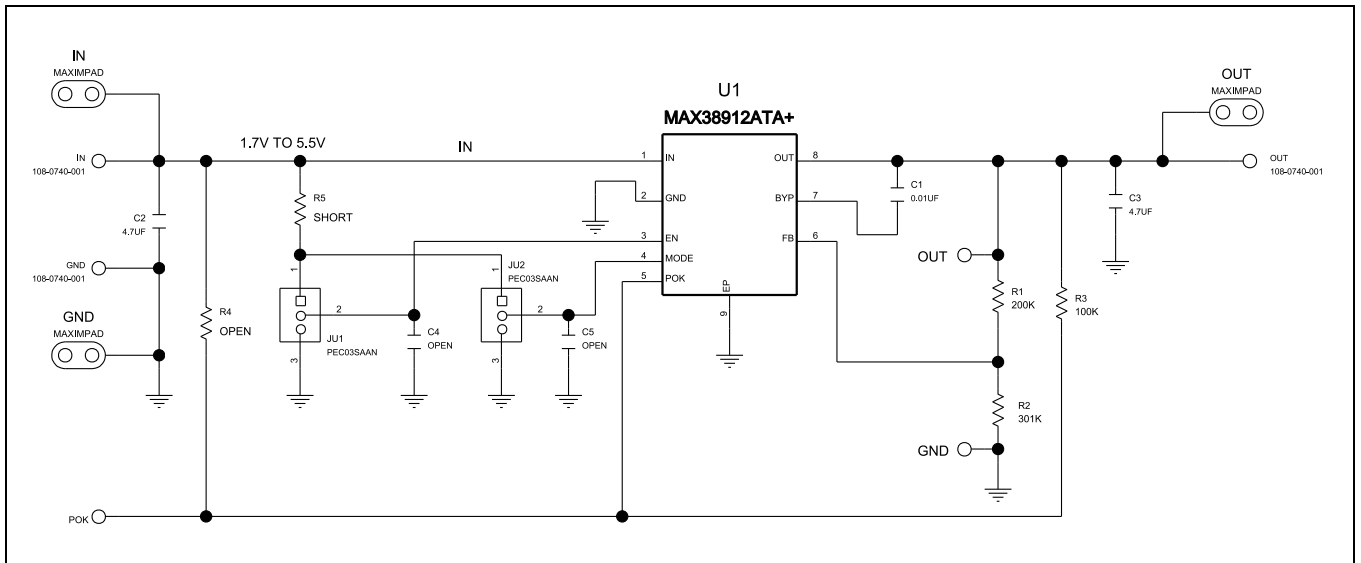
PART	TYPE
MAX38912EVK#TDFN	EV Kit

#Denotes RoHS-compliant.

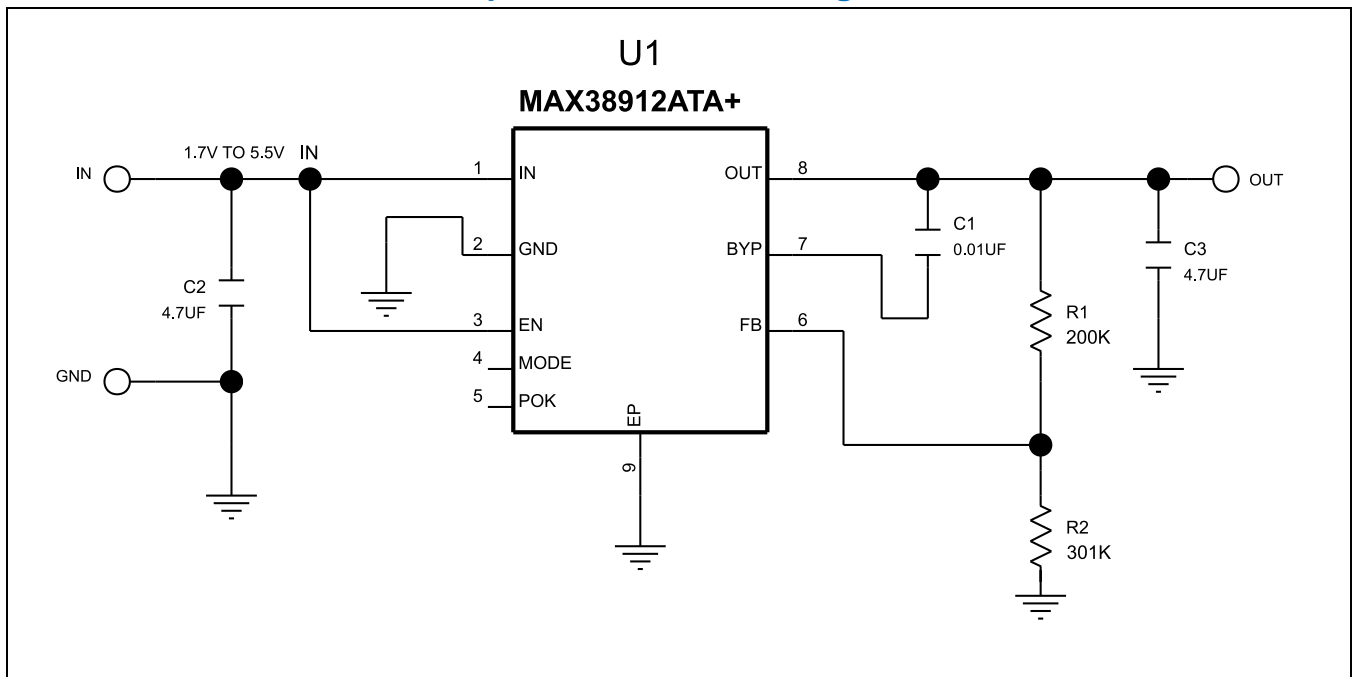
MAX38912 TDFN EV Kit Bill of Materials

ITEM	REF_DES	QTY	MFG PART #	MANUFACTURER	DESCRIPTION
1	C1	1	C0402C103K5RAC; GRM155R71H103KA88; C1005X7R1H103K050BE; CL05B103KB5NNN; UMK105B7103KV	KEMET; MURATA; TDK; SAMSUNG ELECTRONIC; TAIYO YUDEN	CAP; SMT (0402); 0.01UF; 10%; 50V; X7R; CERAMIC
2	C2, C3	2	GMC10X7R475K6R3NT; CL10B475KQ8NQN; JMK107BB7475KA; CL10B475KQ8NQNC; 06036C475KAT2A	CAL-CHIP ELECTRONIC INC.; SAMSUNG; TAIYO YUDEN; SAMSUNG; AVX	CAP; SMT (0603); 4.7UF; 10%; 6.3V; X7R; CERAMIC;
3	GND, IN, OUT	3	108-0740-001	EMERSON NETWORK POWER	CONNECTOR; MALE; PANELMOUNT; BANANA JACK; STRAIGHT; 1PIN
4	JU1, JU2	2	PEC03SAAN	SULLINS	CONNECTOR; MALE; THROUGH HOLE; BREAKAWAY; STRAIGHT; 3PINS
5	POK	1	5002	KEYSTONE	TEST POINT; PIN DIA=0.1IN; TOTAL LENGTH=0.3IN; BOARD HOLE=0.04IN; WHITE; PHOSPHOR BRONZE WIRE SILVER;
6	R1	1	CRCW0603200KFK	VISHAY DALE	RES; SMT (0603); 200K; 1%; +/-100PPM/DEGC; 0.1000W
7	R2	1	CPF0603F301KC	TE CONNECTIVITY	RES; SMT (0603); 301K; 1%; +/-50PPM/DEGC; 0.0630W
8	R3	1	ERA-3AEB104; AT0603BRD07100KL	PANASONIC; YAGEO	RES; SMT (0603); 100K; 0.10%; +/-25PPM/DEGC; 0.1000W
9	SU1, SU2	2	SNT-100-BK-G	SAMTEC	TEST POINT; SHUNT AND JUMPER; STR; TOTAL LENGTH=6.10MM; BLACK; INSULATION=GLASS FILLED POLYESTER; CONTACT=PHOSPHOR BRONZE
10	TP_GND	1	5001	KEYSTONE	TEST POINT; PIN DIA=0.1IN; TOTAL LENGTH=0.3IN; BOARD HOLE=0.04IN; BLACK; PHOSPHOR BRONZE WIRE SILVER PLATE FINISH;
11	TP_OUT	1	5000	KEYSTONE	TEST POINT; PIN DIA=0.1IN; TOTAL LENGTH=0.3IN; BOARD HOLE=0.04IN; RED; PHOSPHOR BRONZE WIRE SILVER PLATE FINISH;
12	U1	1	MAX38912ATA+	MAXIM	EVKIT PART - IC; MAX38912ATA+; 500MA LDO WITH LOW POWER MODE; PACKAGE OUTLINE DRAWING: 21-0168; LAND PATTERN NUMBER: 90-0065; PACKAGE CODE: T822+3C
13	PCB	1	MAX38912TDFN	MAXIM	PCB:MAX38912TDFN
14	R4	0	N/A	N/A	PACKAGE OUTLINE 0603 RESISTOR
15	R5	0	N/A	N/A	PACKAGE OUTLINE 0603 RESISTOR
16	C4, C5	0	N/A	N/A	PACKAGE OUTLINE 0603 NON-POLAR CAPACITOR
TOTAL		18			

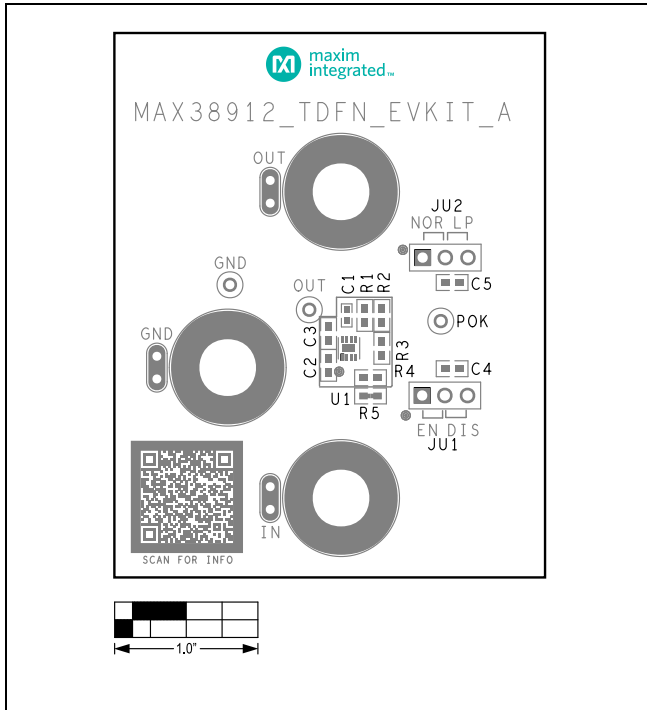
MAX38912 TDFN EV Kit Schematic Diagram



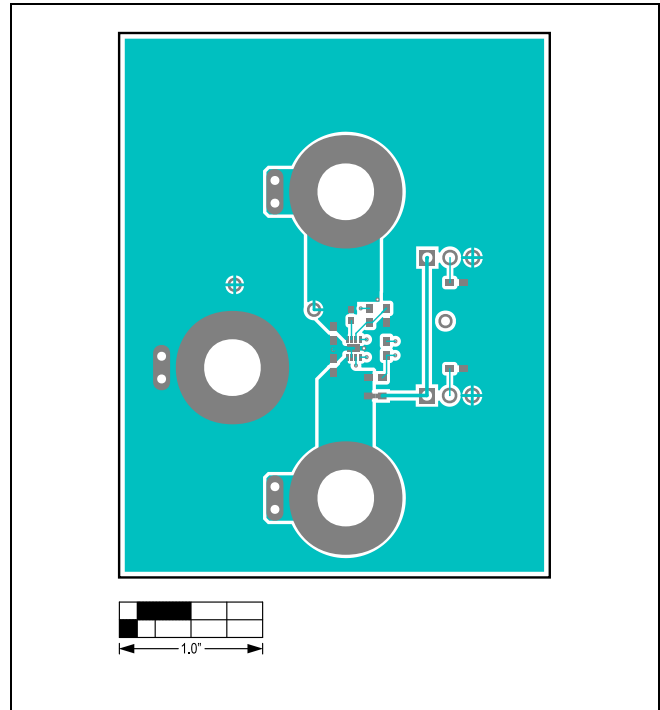
MAX38912 TDFN Minimal Component Schematic Diagram



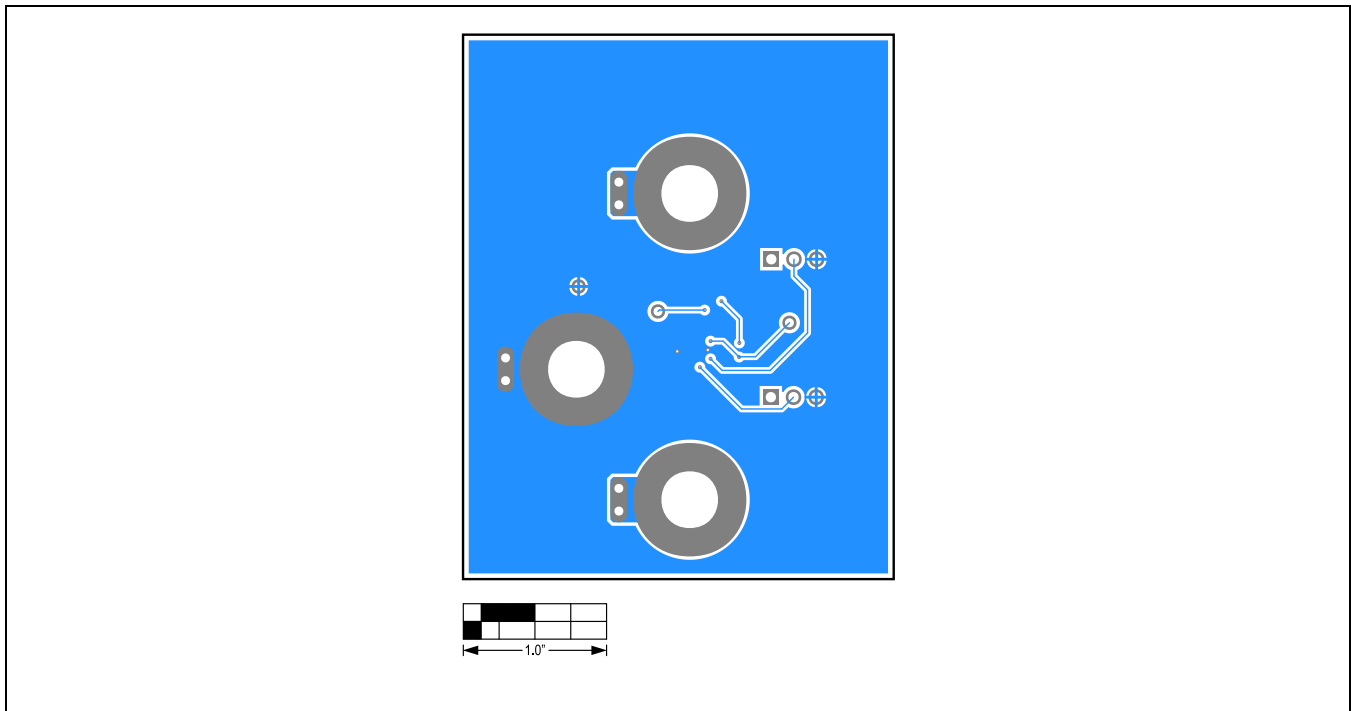
MAX38912 TDFN EV Kit PCB Layout Diagrams



MAX38912 TDFN EV Kit—Top Silkscreen



MAX38912 TDFN EV Kit PCB Layout—Top View



MAX38912 TDFN EV Kit PCB Layout—Bottom View

Revision History

REVISION NUMBER	REVISION DATE	DESCRIPTION	PAGES CHANGED
0	08/21	Initial release	—

