

## MAX20011C/MAX20011D

## Automotive Single 16A/12A Step-Down Converter

### General Description

The MAX20011C/MAX20011D is a high-efficiency, synchronous step-down converter that operates with a 3.0V to 5.5V input voltage range and supplies a 0.5V to 1.275V output voltage range. The wide input/output voltage range and the ability to provide up to 16A peak output current make this device ideal for on-board point-of-load and post-regulation applications. The MAX20011C/MAX20011D achieves  $\pm 1.5\%$  output error over load, line, and temperature ranges.

The MAX20011C/MAX20011D features a 2.2MHz fixed-frequency PWM mode for better noise immunity and load-transient response. The 2.2MHz frequency operation allows for the use of all ceramic capacitors and minimizes external components. The spread-spectrum frequency modulation option minimizes radiated electromagnetic emissions. Integrated low  $R_{DS(ON)}$  switches improve efficiency at heavy loads and make layout simpler than discrete solutions.

The MAX20011C/MAX20011D is offered with factory-preset output voltage. The I<sup>2</sup>C interface supports dynamic voltage adjustment with programmable slew rates. Other features include programmable soft start, overcurrent, and overtemperature protections.

### Applications

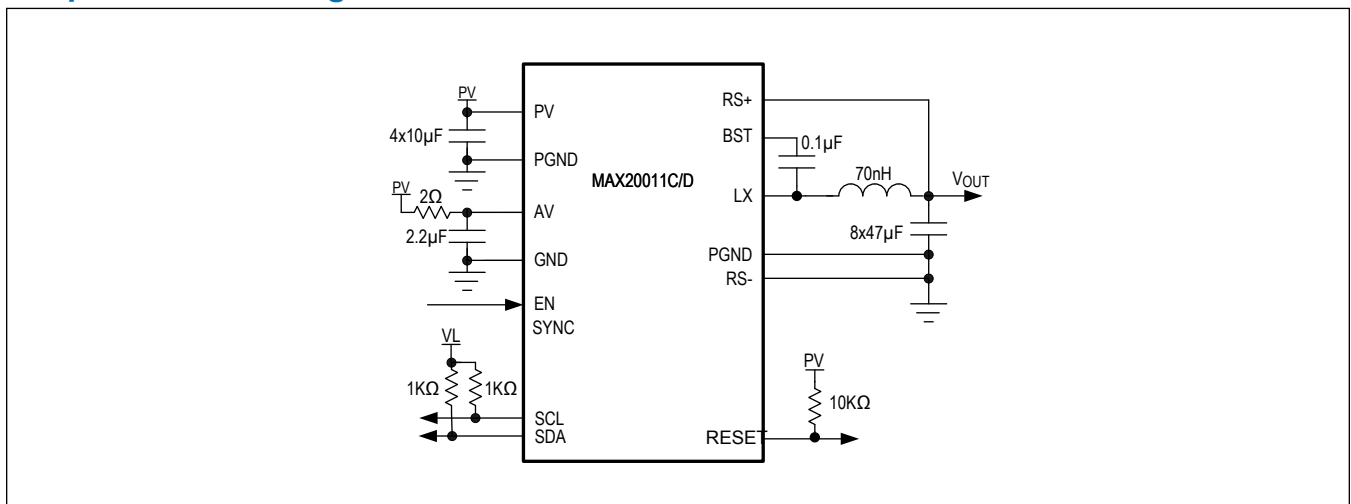
Automotive ADAS Systems

SoC Core Power

### Benefits and Features

- High-Efficiency DC-DC Converter
- Up to 16A Peak Output Current
  - MAX20011C: 16A
  - MAX20011D: 12A
- Differential Remote Voltage Sensing
- 3.0V to 5.5V Operating Supply Voltage
- I<sup>2</sup>C Controlled Output Voltage: 0.5V to 1.275V in 6.25mV Steps
- Excellent Load-Transient Performance
- Programmable Compensation
- 2.2MHz or 1.1MHz Operation
- $\pm 1.5\%$  Output Voltage Accuracy
- RESET Output
- Current-Mode, Forced-PWM Operation
- ASIL D Compliant:
  - Redundant Reference
  - BIST Diagnostics
  - PEC on I2C
  - Programmable OV/UV with  $\pm 1\%$  Accuracy
- Overtemperature and Short-Circuit Protection
- 3.5mm x 4mm, 17-Pin, Side-Wettable FC2QFN
- $-40^{\circ}\text{C}$  to  $+125^{\circ}\text{C}$  Grade 1 Automotive Temperature Range

### Simplified Block Diagram



---

**TABLE OF CONTENTS**

---

General Description . . . . .	1
Applications . . . . .	1
Benefits and Features . . . . .	1
Simplified Block Diagram . . . . .	1
Absolute Maximum Ratings . . . . .	4
Recommended Operating Conditions . . . . .	4
Package Information . . . . .	4
17-FC2QFN . . . . .	4
Electrical Characteristics . . . . .	4
Typical Operating Characteristics . . . . .	8
Pin Configuration . . . . .	9
Top View . . . . .	9
Pin Description . . . . .	10
Functional Diagrams . . . . .	11
Internal Block Diagram . . . . .	11
Detailed Description . . . . .	12
RESET Output . . . . .	12
Soft-Start . . . . .	12
Dynamic Voltage Scaling . . . . .	12
Shutdown . . . . .	12
Spread-Spectrum Option . . . . .	12
Synchronization (SYNC) . . . . .	12
Current Limit / Short-Circuit Protection . . . . .	12
Boost Refresh . . . . .	13
Overtemperature Protection . . . . .	13
Applications Information . . . . .	14
Input Capacitor . . . . .	14
Inductor Selection . . . . .	14
Output Capacitor . . . . .	15
Programmable Compensation . . . . .	15
Typical Application Circuits . . . . .	16
Circuit 1 . . . . .	16
Ordering Information . . . . .	16
Revision History . . . . .	17

---

**LIST OF TABLES**

---

Table 1. Inductor Selection Parameters ..... 15  
Table 2. Recommended Inductor Values ..... 15

## Absolute Maximum Ratings

PV, AV, EN, RESET to GND .....	-0.3V to +6V	Continuous Power Dissipation ( $T_A = +70^\circ\text{C}$ )	
SYNC, RS+, RS- to GND .....	-0.3V to AV+0.3V	17-FC2QFN (derate 28.26mW/ $^\circ\text{C} > +70^\circ\text{C}$ ) .....	2260.5mW
SDA, SCL to GND .....	-0.3V to +6V	Operating Junction Temperature (Note 4) .....	-40 $^\circ\text{C}$ to +150 $^\circ\text{C}$
GND to PGND .....	-0.3V to +0.3V	Storage Temperature Range .....	-65 $^\circ\text{C}$ to +150 $^\circ\text{C}$
BST to LX .....	-0.3V to +6V	Lead Temperature (soldering, 10s) .....	+300 $^\circ\text{C}$
LX to PGND .....	-0.3V to PV+0.3V	Soldering Temperature (reflow) .....	+260 $^\circ\text{C}$
Output Short-Circuit Duration .....	Continuous		

Stresses beyond those listed under "Absolute Maximum Ratings" may cause permanent damage to the device. These are stress ratings only, and functional operation of the device at these or any other conditions beyond those indicated in the operational sections of the specifications is not implied. Exposure to absolute maximum rating conditions for extended periods may affect device reliability.

## Recommended Operating Conditions

PARAMETER	SYMBOL	CONDITION	TYPICAL RANGE	UNIT
Ambient Temperature Range			-40 to +125	$^\circ\text{C}$

**Note:** These limits are not guaranteed.

## Package Information

### 17-FC2QFN

<b>PACKAGE CODE</b>	<b>F173A4FY+1</b>
Outline Number	21-100418
Land Pattern Number	90-100150
<b>Thermal Resistance (Four-Layer Board):</b>	
Junction to Ambient ( $\theta_{JA}$ )	35.4 $^\circ\text{C}/\text{W}$
Junction to Case ( $\theta_{JC}$ )	7.8 $^\circ\text{C}/\text{W}$
<b>Thermal Resistance, EV Kit (Eight-Layer Board):</b>	
Junction to Ambient ( $\theta_{JA}$ )	26 $^\circ\text{C}/\text{W}$
Junction to Case ( $\theta_{JC}$ )	6 $^\circ\text{C}/\text{W}$

For the latest package outline information and land patterns (footprints), go to [www.maximintegrated.com/packages](http://www.maximintegrated.com/packages). Note that a "+", "#", or "-" in the package code indicates RoHS status only. Package drawings may show a different suffix character, but the drawing pertains to the package regardless of RoHS status.

Package thermal resistances were obtained using the EV kit, using a four-layer board. For detailed information on package thermal considerations, refer to [www.maximintegrated.com/thermal-tutorial](http://www.maximintegrated.com/thermal-tutorial).

## Electrical Characteristics

( $V_{PV} = V_{AV} = 5\text{V}$ ,  $T_J = -40^\circ\text{C}$  to  $+150^\circ\text{C}$ , unless otherwise noted. (Note 4), typical values are at  $T_A = +25^\circ\text{C}$  under normal conditions, unless otherwise noted. (Note 2))

PARAMETER	SYMBOL	CONDITIONS	MIN	TYP	MAX	UNITS
<b>Supply Voltage</b>						
PV Supply Voltage	$V_{PV}$		3.0		5.5	V
AV Supply Voltage	$V_{AV}$	Fully Operational	3.0		5.5	V

**Electrical Characteristics (continued)**

( $V_{PV} = V_{AV} = 5V$ ,  $T_J = -40^{\circ}C$  to  $+150^{\circ}C$ , unless otherwise noted. (Note 4), typical values are at  $T_A = +25^{\circ}C$  under normal conditions, unless otherwise noted. (Note 2))

PARAMETER	SYMBOL	CONDITIONS	MIN	TYP	MAX	UNITS
UVLO		Rising		2.7	2.9	V
		Falling	2.45	2.6		
Supply Current	$I_{IN}$	EN = high, $I_{OUT} = 0mA$ , no switching		2.5		mA
Shutdown Supply Current	$I_{IN}$	EN = low, $T_A \leq +125^{\circ}C$		3	30	$\mu A$
<b>PWM Frequency</b>						
PWM Switching Frequency	$F_{SW}$	Internally generated, CONFIG.FSW = 0	2.0	2.2	2.4	MHz
		Internally generated, CONFIG.FSW = 1	1.0	1.1	1.2	
Spread Spectrum		CONFIG.SS = 1		+3		%
<b>Output Voltage</b>						
Voltage Accuracy	$V_{OUT}$	$I_{LOAD} = 0A$ to $I_{MAX}$ , $V_{PV} = 3.3V$ , $V_{OUT} = 1.0V$	-1		+1	%
		$I_{LOAD} = 0A$ to $I_{MAX}$ , $3.0V \leq V_{PV} \leq 5.5V$ , $0.80V$ to $1.275V$	-1.5		+1.5	
		$I_{LOAD} = 0A$ to $I_{MAX}$ , $3.0V \leq V_{PV} \leq 5.5V$ , $0.50V$ to $0.79V$	-15		15	mV
OV Threshold Range			102.5		110	%
OV Threshold accuracy		Percentage of nominal output, $V_{OUT} = V_{SET}$ (0.8V - 1.275V)	-1		+1	%
		$V_{OUT} = V_{SET}$ (0.5V - 0.79V)	-10		10	mV
UV Threshold range			97.5		90	%
UV Threshold accuracy		Percentage of nominal output, $V_{OUT} = V_{SET}$ (0.8V - 1.275V)	-1		+1	%
		$V_{OUT} = V_{SET}$ (0.5V - 0.79V)	-10		+10	mV
UV/OV Propagation Delay		$V_{OUT} = V_{SET}$		15		us
Active Timeout Period		Option 1 (32768 Clocks)		14.9		ms
		Option 2 (16384 Clocks)		7.4		
		Option 3 (8192 Clocks) (default)		3.7		
		Option 4 (1024 Clocks)		0.5		
<b>Power FET</b>						
HS NMOS On-Resistance		$V_{PV} = V_{AV} = 5V$ , $I_{LX} = 1A$		6.8		m $\Omega$
LS NMOS On-Resistance		$V_{PV} = V_{AV} = 5V$ , $I_{LX} = 1A$		4		m $\Omega$
HS NMOS Current-Limit Threshold		MAX20011D (12A) (Note 3)	15	18	22	A
		MAX20011C (16A) (Note 3)	20	24	28	
LX Leakage Current		$V_{PV} = V_{AV} = 5V$ , LX = PGND or PV, $T_A = 25^{\circ}C$		1		$\mu A$
LX Discharge Resistance		$V_{EN} = 0V$ , $I_{LOAD} = 10mA$		11		$\Omega$

**Electrical Characteristics (continued)**

( $V_{PV} = V_{AV} = 5V$ ,  $T_J = -40^{\circ}C$  to  $+150^{\circ}C$ , unless otherwise noted. (Note 4), typical values are at  $T_A = +25^{\circ}C$  under normal conditions, unless otherwise noted. (Note 2))

PARAMETER	SYMBOL	CONDITIONS	MIN	TYP	MAX	UNITS
<b>Thermal Overload</b>						
Thermal Shutdown Temperature		$T_J$ rising		165		$^{\circ}C$
Hysteresis				15		$^{\circ}C$
<b>Digital Output (RESET, SYNC, SDA)</b>						
RESET Output Low Level		$3.0V \leq V_{PV} \leq 5.5V$ , $3.0V \leq V_{AV} \leq 5.5V$ , $I_{SINK} = 2mA$			0.4	V
RESET High Leakage current				1		$\mu A$
SYNC Output High Level	$V_{OH}$	$I_{SOURCE} = 3mA$	4.2			V
SYNC Output Low Level	$V_{OL}$	$I_{SINK} = 3mA$			0.4	V
SDA Output Low Level	$V_{OL\_SDA}$	$I_{SINK} = 4mA$			0.4	V
<b>I<sup>2</sup>C Interface</b>						
Clock Frequency					1.0	MHz
Setup Time (Repeated) START	$t_{SU:STA}$		260			ns
HOLD Time (Repeated) START	$t_{HD:STA}$		260			ns
SCL Low Time	$t_{LOW}$		500			ns
SCL High Time	$t_{HIGH}$		260			ns
DATA Setup Time	$t_{SU:DAT}$		50			ns
DATA Hold Time	$t_{HD:DAT}$		0			ns
Setup Time for STOP Condition	$t_{SU:STO}$		260			ns
Spike Suppression				20		ns
<b>Digital Input (SYNC)</b>						
Input High level	$V_{IH}$		1.8			V
Input Low level	$V_{IL}$				0.4	V
SYNC Input Pulldown				100		$k\Omega$
SYNC Input Frequency Range		$f_{OSC} = 2.2MHz$	1.8		2.6	MHz
		$f_{OSC} = 1.1MHz$	0.9		1.3	
<b>Digital Input (EN, SDA, SCL)</b>						
Input High Level			1.3			V
Input Low Level					0.5	V
Input Hysteresis				50		mV
Input Leakage Current				1		$\mu A$

**Note 1:** All units are 100% production tested at  $+25^{\circ}C$ . All temperature limits are guaranteed by design and characterization.

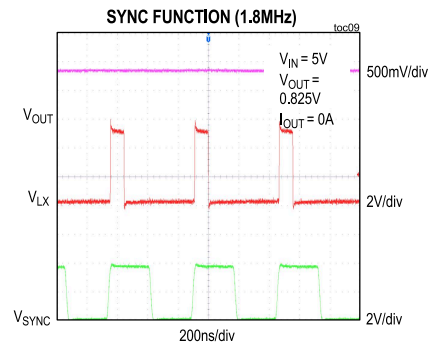
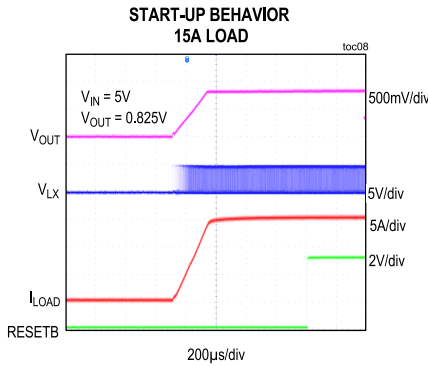
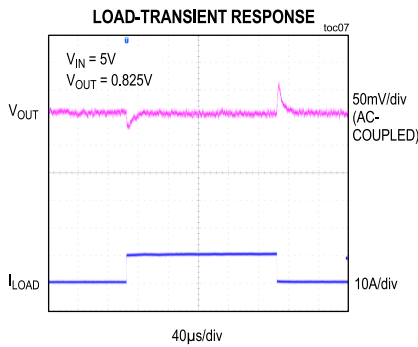
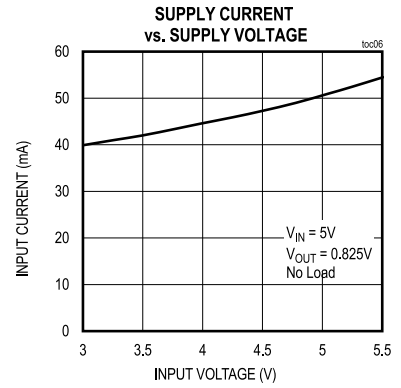
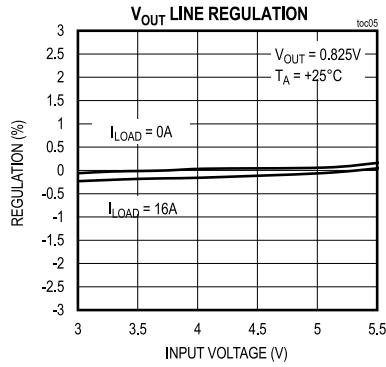
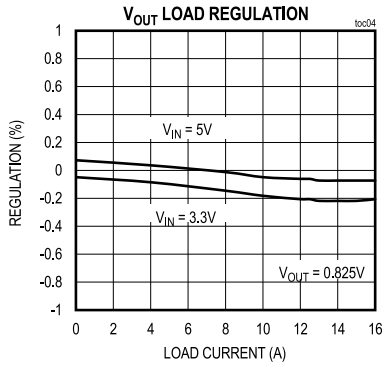
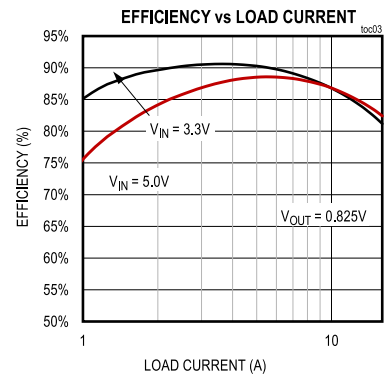
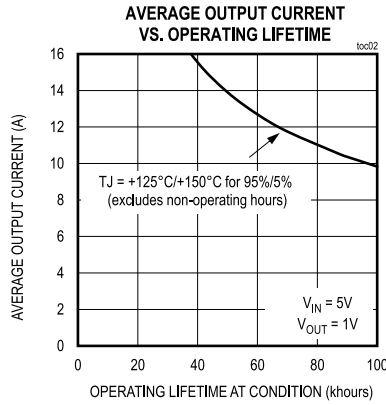
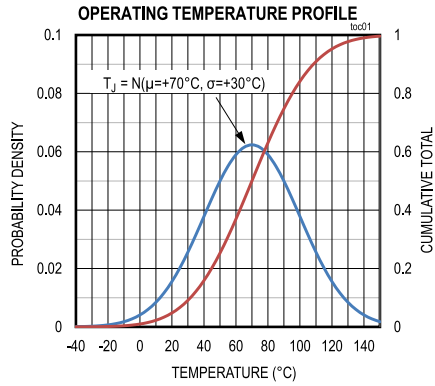
**Note 2:** The device is designed to operate under in cabin automotive temperature profiles similar to Typical Operating Characteristics 1.

**Note 3:** Based on ATE measurements using scaled currents.

**Note 4:** The device is designed for continuous operation up to  $T_J = 125^\circ\text{C}$  for 95,000 hours and  $T_J = 150^\circ\text{C}$  for 5,000 hours.

### Typical Operating Characteristics

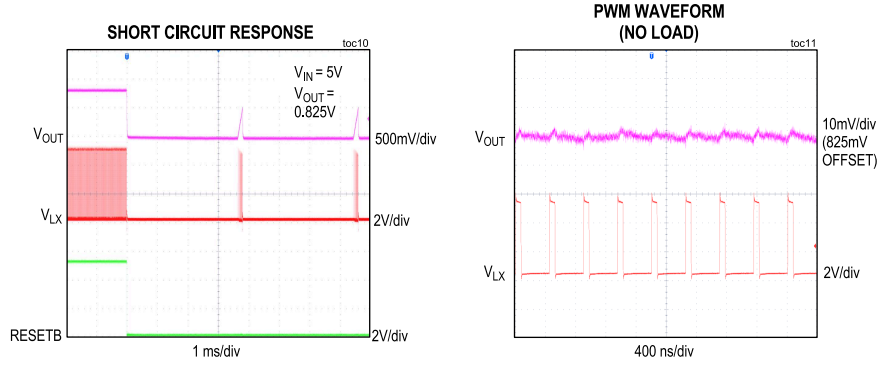
( $V_{PV} = V_{AV} = 5V$ ;  $T_A = +25^\circ C$  unless otherwise noted)





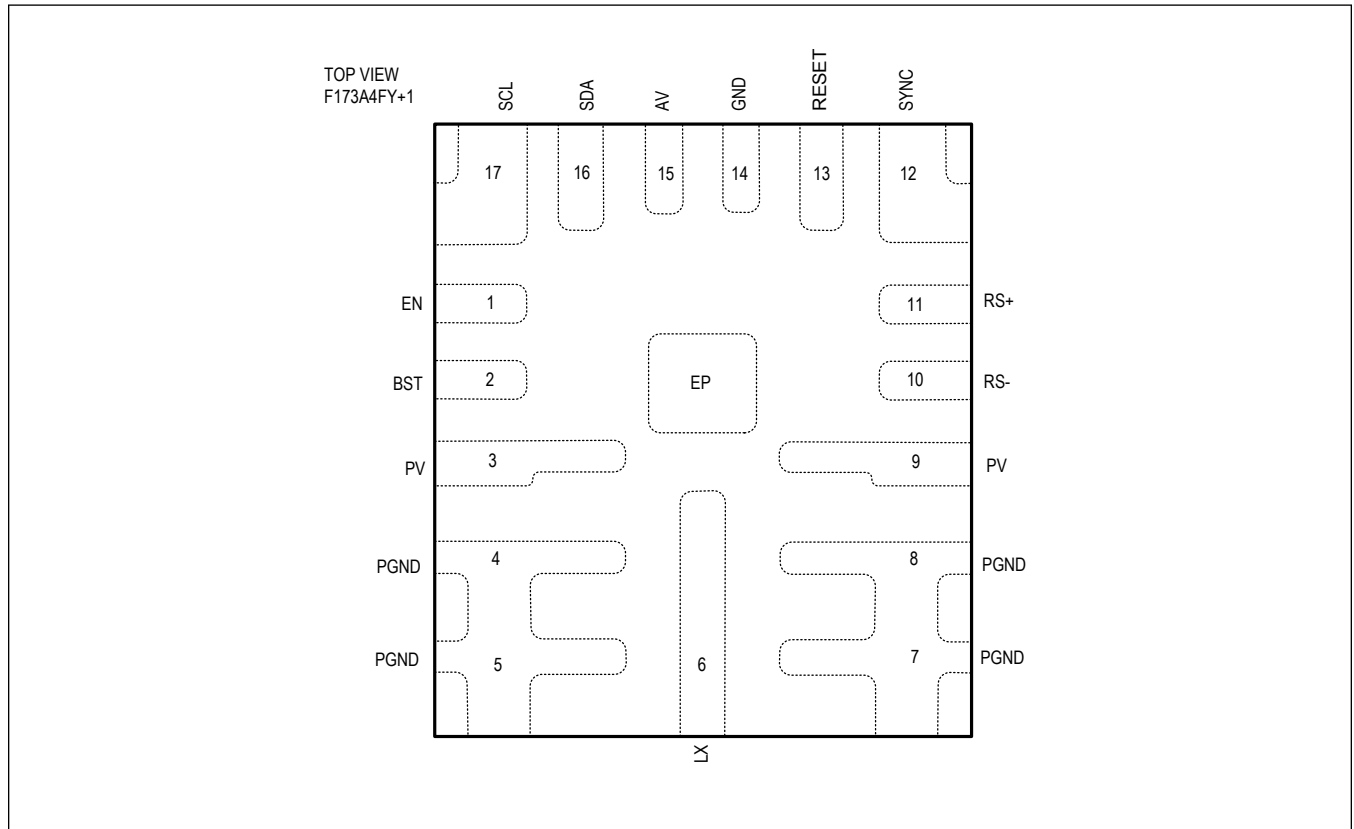
**Typical Operating Characteristics (continued)**

( $V_{PV} = V_{AV} = 5V$ ;  $T_A = +25^\circ C$  unless otherwise noted)



**Pin Configuration**

**Top View**

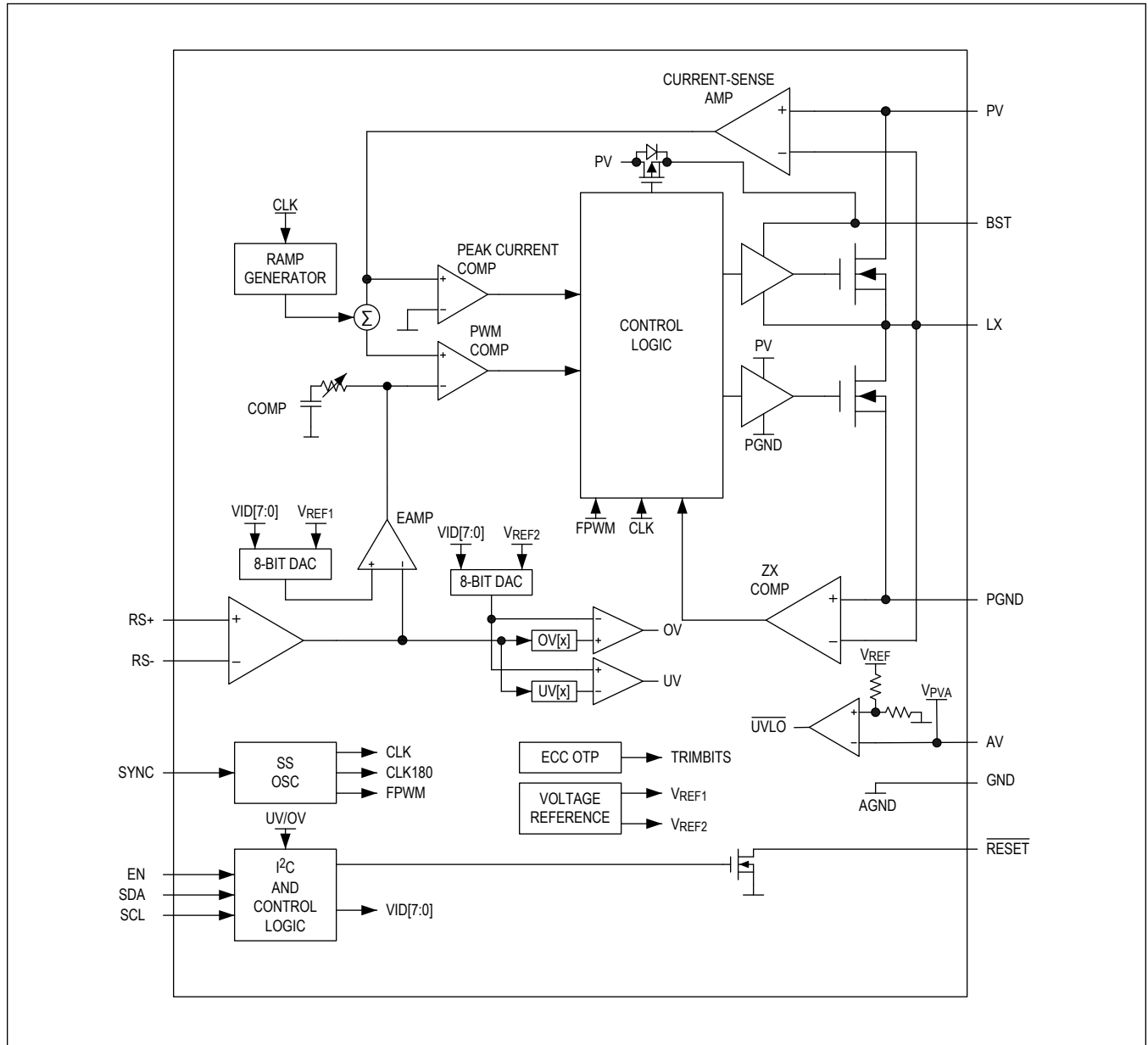


## Pin Description

PIN	NAME	FUNCTION
1	EN	Active-High Enable Input. Drive EN high for normal operation. On the rising edge, the device enters soft-start. On the falling edge, the device enters soft-shutdown.
2	BST	Boost Supply
3,9	PV	Power Input Supply. Connect two 10 $\mu$ F or larger ceramic capacitor from PV to PGND. Connect all PV pins together
4,5,7,8	PGND	Power Ground. Connect all PGND pins together.
6	LX	Inductor Connection. Connect LX to the switched side of the inductor. Connect all LX pins together.
10	RS-	Buck regulator remote voltage sense negative input. The common-mode range of this input is $\pm 0.3V$ .
11	RS+	Buck regulator remote voltage sense positive input. The resistance from RS+ to the remote sense connection should be kept to 2 $\Omega$ or less to prevent the input current from affecting the output accuracy. The input current is +100 $\mu$ A (typ).
12	SYNC	SYNC I/O. Connect SYNC to AV/GND or an external clock to enable fixed-frequency forced-PWM-mode operation. When configured as an output ( <i>CONFIG.SO[1:0] = 2'b10</i> ), connect SYNC to other devices SYNC inputs.
13	$\overline{\text{RESET}}$	Open-Drain $\overline{\text{RESET}}$ Output. This output remains low for the programmed hold time after the output has reached its regulation level (see the Electrical Characteristics table). To obtain a logic signal, pullup $\overline{\text{RESET}}$ with an external resistor.
14	GND	Analog Ground
15	AV	Analog Input Supply
16	SDA	I2C Data I/O
17	SCL	I2C Clock Input
-	EP	Internally connected to PV

Functional Diagrams

Internal Block Diagram



## Detailed Description

The MAX20011C/MAX20011D is a high-efficiency, synchronous step-down converter that operates with a 3.0V to 5.5V input voltage range and provides a 0.50V to 1.275V output voltage range. The device delivers up to 16A of load current and regulates the output voltage over load, line, and temperature ranges.

Optional spread-spectrum frequency modulation minimizes radiated electromagnetic emissions due to the switching frequency. The I<sup>2</sup>C programmable I/O (SYNC) enables system synchronization.

Integrated low RDS<sub>(ON)</sub> switches help improve efficiency at heavy loads and make the layout a much simpler task with respect to discrete solutions. The device is offered with a factory-preset output voltage that is dynamically adjustable through the I<sup>2</sup>C interface. The output voltage can be set to any desired values between 0.5V to 1.275V in 6.25mV steps.

Additional features include adjustable soft start, power-good delay, DVS rate, overcurrent, and overtemperature protections. Consult the factory for detailed register set information. See the [Internal Block Diagram](#).

### RESET Output

The MAX20011C/MAX20011D features an open-drain  $\overline{\text{RESET}}$  output that asserts when the output voltage deviates from the target regulated voltage by a programmed amount.  $\overline{\text{RESET}}$  remains asserted for a fixed timeout period after the output is within the programmed regulation window. Connect  $\overline{\text{RESET}}$  to a pullup resistor.

### Soft-Start

The MAX20011C/MAX20011D includes a programmable soft-start feature to limit startup inrush current by forcing the output voltage to slowly ramp up towards its regulation point. The soft-start slew rate is set in the SLEW register.

### Dynamic Voltage Scaling

The step-down regulator features dynamic voltage scaling (DVS) to allow loads to margin their supply voltage. The output voltage is set with VID[7:0]. The slew rate during DVS is adjustable with SR[3:0] in the SLEW register. The OV/UV comparators are masked to prevent false  $\overline{\text{RESET}}$  assertions during the DVS period.

### Shutdown

During shutdown, the output voltage is ramped down at the programmed soft-start slew rate. After the soft shutdown is complete, an 11 $\Omega$  pulldown resistor is enabled to discharge the remaining output voltage.

### Spread-Spectrum Option

The MAX20011C/MAX20011D featuring spread-spectrum (SS) operation varies the internal operating frequency by +3% relative to the internally generated operating frequency of 2.2MHz or 1.1MHz (typ). This function does not apply to externally applied oscillation frequency.

### Synchronization (SYNC)

SYNC is factory programmable I/O. See Selector Guide table for available options. When SYNC is configured as an input, a logic high on PWM enables SYNC to accept a signal frequency in the range of 1.8MHz < f<sub>SYNC</sub> < 2.6MHz (CONFIG.FSW = 0) or 0.9MHz < f<sub>SYNC</sub> < 1.3MHz (CONFIG.FSW = 1). When SYNC is configured as an output, SYNC outputs the internal PWM switching frequency.

### Current Limit / Short-Circuit Protection

The device features current limit that protects the device against short-circuit and overload conditions at the output. In the event of a short-circuit or overload condition, the high-side MOSFET reaches the high-side MOSFET's current-limit threshold and turns off. The converter then turns on the low-side MOSFET to allow the inductor current to ramp down. Once the inductor current falls below the low-side MOSFET valley current-limit threshold, the converter allows the high-side MOSFET to turn on again. This cycle repeats until the short or overload condition is removed.

**Boost Refresh**

When the device is enabled, the boost capacitor must be charged by turning on the low-side FET before initiating soft-start.

**Overtemperature Protection**

Thermal overload protection limits the total power dissipation in the MAX20011C/MAX20011D. When the junction temperature exceeds +165°C (typ), an internal thermal sensor shuts down the internal bias regulator and the step-down controller, allowing the IC to cool. The thermal sensor turns on the IC again after the junction temperature cools by +15°C.

## Applications Information

### Input Capacitor

The input filter capacitor reduces peak currents drawn from the power source and reduces noise and voltage ripple on the input caused by the circuit's switching.

The input capacitor RMS current requirement ( $I_{RMS}$ ) is defined by the following equation:

$$I_{RMS} = I_{LOAD(MAX)} \frac{\sqrt{V_{OUT}(V_{PV} - V_{OUT})}}{V_{PV}}$$

$I_{RMS}$  has a maximum value when the input voltage equals twice the output voltage ( $V_{PV} = 2V_{OUT}$ ), so  $I_{RMS(MAX)} = I_{LOAD(MAX)} / 2$

Choose an input capacitor that exhibits less than +10°C self-heating temperature rise at the RMS input current for optimal long-term reliability.

The input voltage ripple consists of  $\Delta V_Q$  (caused by the capacitor discharge) and  $\Delta V_{ESR}$  (caused by the ESR of the capacitor). Use low-ESR ceramic capacitors with high ripple-current capability at the input. Assume the contribution from the ESR and capacitor discharge equal to 50%. Calculate the input capacitance and ESR required for a specified input voltage ripple using the following equations:

$$ESR_{IN} = \frac{\Delta V_{ESR}}{I_{OUT} + \frac{\Delta I_L}{2}}$$

Where,

$$\Delta I_L = \frac{(V_{PV} - V_{OUT}) \times V_{OUT}}{V_{PV} \times f_{SW} \times L}$$

And

$$C_{IN} = \frac{I_{OUT} \times D(1-D)}{\Delta V_Q \times f_{SW}} \text{ and } D = \frac{V_{OUT}}{V_{PV}}$$

$I_{OUT}$  is the maximum output current.  $D$  is the duty cycle.

### Inductor Selection

Three key inductor parameters must be specified for operation with the MAX20011C/MAX20011D: inductance value ( $L$ ), peak inductor current ( $I_{PEAK}$ ), and inductor saturation current ( $I_{SAT}$ ). The minimum required inductance is a function of operating frequency, input-to-output voltage differential, and the maximum output current capability of the output. A lower inductor value minimizes size and cost, improves large-signal and transient response, but reduces efficiency due to higher peak currents and higher peak-to-peak output-voltage ripple for the same output capacitor. On the other hand, higher inductance increases efficiency by reducing the ripple current. Resistive losses due to extra wire turns can exceed the benefit gained from lower ripple current levels, especially when the inductance is increased without also allowing for larger inductor dimensions. The MAX20011C/MAX20011D is designed for  $\Delta I_{P-P}$  equal to 20% to 40% of the full load current. Use the following equation to calculate the inductance:

$$L_{MIN1} = \frac{(V_{IN} - V_{OUT}) \cdot V_{OUT}}{V_{IN} \cdot f_{SW} \cdot I_{MAX} \cdot 40\%}$$

$V_{IN}$  and  $V_{OUT}$  are typical values so that efficiency is optimum for typical conditions. The switching frequency is typically 2.2MHz or 1.1MHz. See the Output Capacitors section to verify the worst-case output ripple is acceptable. The inductor saturation current is also important to avoid runaway current during continuous output short circuit.

**Table 1. Inductor Selection Parameters**

PARAMETER	DESCRIPTION
$V_{IN}$	Nominal input voltage (typically 3.3V or 5V)
$V_{OUT}$	Nominal output voltage
$L_{TOL}$	Inductor tolerance (typically $\pm 20\%$ )
$I_{MAX}$	16A
$f_{SW}$	Operating frequency (2.2MHz or 1.1MHz, unless externally synchronized to a different frequency)

$$L_{MIN} = (1 + L_{TOL}) \times L_{MIN1}$$

The maximum inductor value recommended is 1.75 times the chosen value from the above formula.

$$L_{MAX} = 2.0 \times L_{MIN}$$

Select a nominal inductor value based on the following formula. For optimal load-transient performance, select the first standard inductor value greater than  $L_{MIN}$ :

$$L_{MIN} < L_{NOM} < L_{MAX}$$

**Table 2. Recommended Inductor Values**

$V_{IN}$	$V_{OUT}$	$I_{MAX}$	$L_{MIN}$	$L_{MAX}$	RECOMMENDED
3.3V	1V	16A	50 nH	100 nH	60nH, 70nH, 80nH

Inductors are rated for maximum saturation current. The maximum inductor current equals the maximum load current in addition to half of the peak-to-peak ripple current:

$$I_{PEAK} = I_{LOAD(MAX)} + \frac{\Delta I_{INDUCTOR}}{2}$$

The actual peak-to-peak inductor ripple current is calculated in the  $\Delta I_L$  equation above.

The saturation current should be larger than  $I_{PEAK}$  or at least in a range where the inductance does not degrade significantly.

### Output Capacitor

The compensation is programmable to allow application-specific optimization between output capacitance and AC performance. The typical output capacitor range is 150 $\mu$ F (typ) to 700 $\mu$ F (typ). Using the default COMP value of 0xE2, the following equation provides a good starting point.

$$C_{OUTNOM} = 15 \times I_{OUTMAX} \times \frac{R_{COMP}}{70K\Omega} \times \frac{\mu sec}{V}$$

Where,

$I_{OUTMAX}$  is 16A

This will place the unity gain bandwidth at approximately 200kHz, which is at the peak of the phase boost and results in the best phase margin. It is possible to trade phase margin for a lower output capacitor from this point. To ensure stability, always measure the phase margin with the fully derated output capacitance.

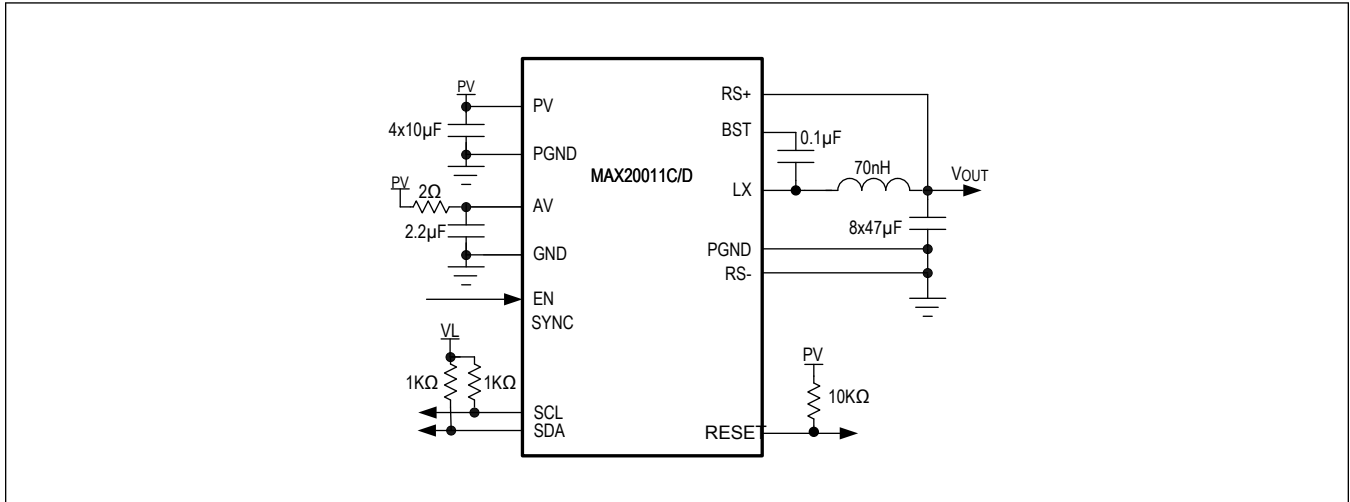
### Programmable Compensation

The device has a programmable zero along with a programmable compensation resistor. In most cases, the zero should be enabled with the  $g_m$  set to 113 $\mu$ S and resistance set to 300k $\Omega$ . This provides the largest phase boost possible and allows the highest cross-over frequency. This is done by setting the upper nibble of the COMP register to 0xE. The compensation resistor is set based on the application requirements. A higher value resistance results in increased AC performance and an increased output capacitor requirement, while a lower compensation resistance results in a decrease in AC performance with a lower output capacitance requirement.

It is recommended that the compensation optimization be completed on the application PCB to account for PCB parasitics when trying to maximize AC performance and/or minimize the output capacitance.

Typical Application Circuits

Circuit 1



Ordering Information

PART	I <sub>OUT</sub>	V <sub>OUT</sub>	V <sub>MAX</sub>	SLEW	COMP	CONFIG	CONFIG2	OVUV	RESET HOLD	I <sup>2</sup> C
MAX20011CAFOA/VY+	16A	0.825V	1.025V	0x09	0xE5	0x0C	0x00	0xFF	0.5 ms	0x39
MAX20011DAFOA/VY+	12A	0.825V	1.025V	0x09	0xE5	0x0C	0x00	0xFF	0.5 ms	0x39

/VY Denotes Side-Wettable Automotive Qualified Parts

+ Indicates a lead (Pb) free/RoHS compliant package

Contact factory for additional part options and custom configurations. Refer to I<sup>2</sup>C register map for factory selectable customer configurations.



## Revision History

REVISION NUMBER	REVISION DATE	DESCRIPTION	PAGES CHANGED
0	03/21	Initial release	—
1	4/21	Updated <a href="#">Ordering Information</a>	16
2	6/21	Updated <a href="#">Ordering Information</a>	16