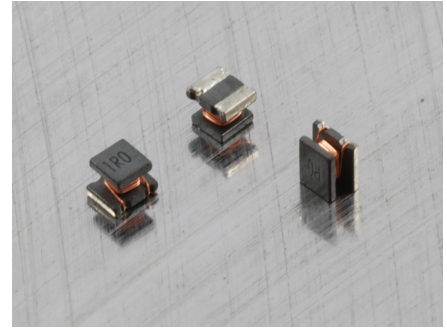
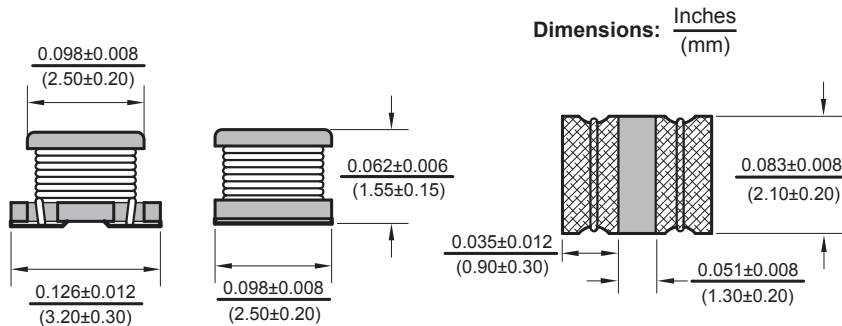




High Current Chip Inductors

LRC27HC



Allied Part Number	Inductance (μH)	Tolerance (%)	Test Freq. (MHz, 1V)	SRF Min. (MHz)	RDC (Ω) +/-20%	Isat (A)	Irms (A)	Marking
LRC27HC-R47T-RC	.47	30	1	100	0.030	3.4	2.55	R47
LRC27HC-1R0T-RC	1.0	30	1	100	0.045	2.3	2.05	1R0
LRC27HC-1R5T-RC	1.5	30	1	70	0.057	1.75	1.75	1R5
LRC27HC-2R2T-RC	2.2	30	1	70	0.076	1.55	1.60	2R2
LRC27HC-3R3T-RC	3.3	30	1	50	0.12	1.25	1.20	3R3
LRC27HC-4R7T-RC	4.7	30	1	40	0.18	1.00	1.00	4R7
LRC27HC-6R8T-RC	6.8	30	1	40	0.24	0.85	0.85	6R8
LRC27HC-100T-RC	10	30	1	30	0.38	0.75	0.70	100
LRC27HC-150T-RC	15	30	1	25	0.70	0.55	0.50	150
LRC27HC-220T-RC	22	30	1	20	0.81	0.50	0.45	220
LRC27HC-300T-RC	33	30	1	14	1.05	0.36	0.32	330
LRC27HC-470T-RC	47	30	1	11	1.48	0.28	0.24	470

All specifications subject to change without notice.

Features

- High Current
- Low DC Resistance
- Wide Inductance Range
- Expanded Temp Range

Electrical

Inductance Range: .47uH ~ 47uH

Tolerance: 30% over entire range, 20% available from 2.2uH to 47uH.

Operating Temp. Range: -40°C ~ +125°C

Isat Current: Based on Temperature drop of 30% typical.

Irms Current: Max temp rise shall be 40°C typical.

L/Q: Test OSC @ 1V

Resistance to Soldering Heat

Pre-heat 150°C, 1 minute.

Solder Composition: Sn/Ag3.0/Cu0.5

Solder Temp: 260±5°C for 10 sec

Test Equipment

(L): HP 4284A

(RDC): CHEN HWA 502BC

(Rate Current): HP4284A+HP42841A

(SRF): HP4284A+HP42841A

Physical

(L): 2000 pieces per 7 inch reel

(Marking): EIA Inductance Code