

LP8732xx-Q1 Dual High-Current Buck Converter and Dual Linear Regulator

1 Features

- AEC-Q100 qualified with the following results:
 - Device temperature grade 1: -40°C to $+125^{\circ}\text{C}$ ambient operating temperature
- Input voltage: 2.8 V to 5.5 V
- Two high-efficiency step-down DC/DC converters:
 - Output voltage: 0.7 V to 3.36 V
 - Maximum output current 2 A per phase
 - Adding and shedding auto phase and force multi-phase operations in dual-phase configuration
 - Remote differential feedback voltage sensing in dual-phase configuration
 - Programmable output-voltage slew rate from $0.5\text{ mV}/\mu\text{s}$ to $10\text{ mV}/\mu\text{s}$
 - 2-MHz switching frequency
 - Spread-spectrum mode and phase interleaving for EMI reduction
- Two linear regulators:
 - Input voltage: 2.5 V to 5.5 V
 - Output voltage: 0.8 V to 3.3 V
 - Maximum output current 300 mA
- Configurable general-purpose output signals (GPO, GPO2)
- Interrupt function with programmable masking
- Programmable power-good signal (PGOOD)
- Output short-circuit and overload protection
- Overtemperature warning and protection
- Overvoltage protection (OVP) and undervoltage lockout (UVLO)
- 28-pin, 5-mm × 5-mm VQFN package with wettable flanks

2 Applications

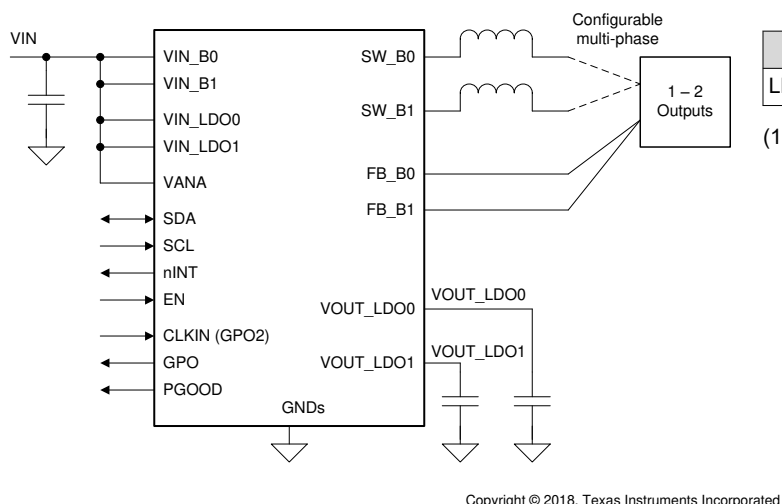
- Automotive head unit and cluster
- Automotive camera module
- Surround view system ECU
- Radar system ECU

3 Description

The LP8732xx-Q1 is designed to meet the power management requirements in automotive applications. The device has two step-down DC/DC converters (which can be configured as a single dual-phase regulator or two single-phase regulators), two linear regulators, and two general-purpose digital-output signals. The device is controlled by an I²C-compatible serial interface and by an enable signal.

The automatic PWM/PFM (AUTO mode) operation together with the automatic phase adding/shedding gives high efficiency over a wide output-current range. The LP8732xx-Q1 supports remote voltage sensing (differential in dual-phase configuration) to compensate IR drop between the regulator output and the point-of-load (POL), thus improving the accuracy of the output voltage. In addition, the switching clock can be forced to PWM mode and also synchronized to an external clock to minimize the disturbances.

The LP8732xx-Q1 device supports programmable start-up and shutdown delays and sequences including GPO signals synchronized to the enable signal. During start-up and voltage change, the device controls the output slew rate to minimize output voltage overshoot and the in-rush current.

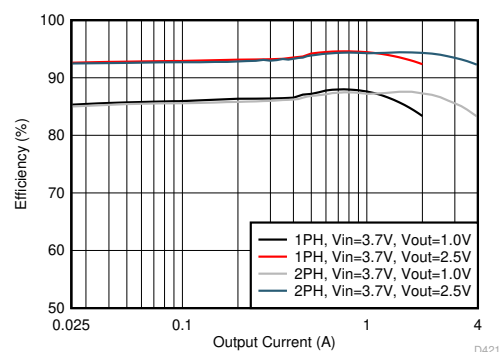


Simplified Schematic

Device Information⁽¹⁾

| PART NUMBER | PACKAGE | BODY SIZE (NOM) |
|-------------|-----------|-------------------|
| LP8732xx-Q1 | VQFN (28) | 5.00 mm × 5.00 mm |

- (1) For all available packages, see the orderable addendum at the end of the data sheet.



DC/DC Efficiency vs Output Current (Dual-Phase)



Table of Contents

| | | | |
|--|----|--|----|
| 1 Features | 1 | 7.5 Programming..... | 38 |
| 2 Applications | 1 | 7.6 Register Maps..... | 41 |
| 3 Description | 1 | 8 Application and Implementation | 62 |
| 4 Revision History | 2 | 8.1 Application Information..... | 62 |
| 5 Pin Configuration and Functions | 3 | 8.2 Typical Applications | 62 |
| 6 Specifications | 5 | 9 Power Supply Recommendations | 74 |
| 6.1 Absolute Maximum Ratings..... | 5 | 10 Layout | 75 |
| 6.2 ESD Ratings..... | 5 | 10.1 Layout Guidelines..... | 75 |
| 6.3 Recommended Operating Conditions..... | 5 | 10.2 Layout Example..... | 76 |
| 6.4 Thermal Information..... | 6 | 11 Device and Documentation Support | 77 |
| 6.5 Electrical Characteristics..... | 6 | 11.1 Device Support..... | 77 |
| 6.6 I ² C Serial Bus Timing Parameters..... | 12 | 11.2 Receiving Notification of Documentation Updates.. | 77 |
| 6.7 Typical Characteristics..... | 15 | 11.3 Support Resources..... | 77 |
| 7 Detailed Description | 16 | 11.4 Trademarks..... | 77 |
| 7.1 Overview..... | 16 | 11.5 Electrostatic Discharge Caution..... | 77 |
| 7.2 Functional Block Diagram..... | 17 | 11.6 Glossary..... | 77 |
| 7.3 Feature Description..... | 17 | 12 Mechanical, Packaging, and Orderable | |
| 7.4 Device Functional Modes..... | 37 | Information | 77 |

4 Revision History

| Changes from Revision * (September 2019) to Revision A (June 2021) | Page |
|---|------|
| • Updated the numbering format for tables, figures, and cross-references throughout the document..... | 1 |
| • Updated the <i>LDO Output Capacitor Selection</i> section..... | 64 |

5 Pin Configuration and Functions

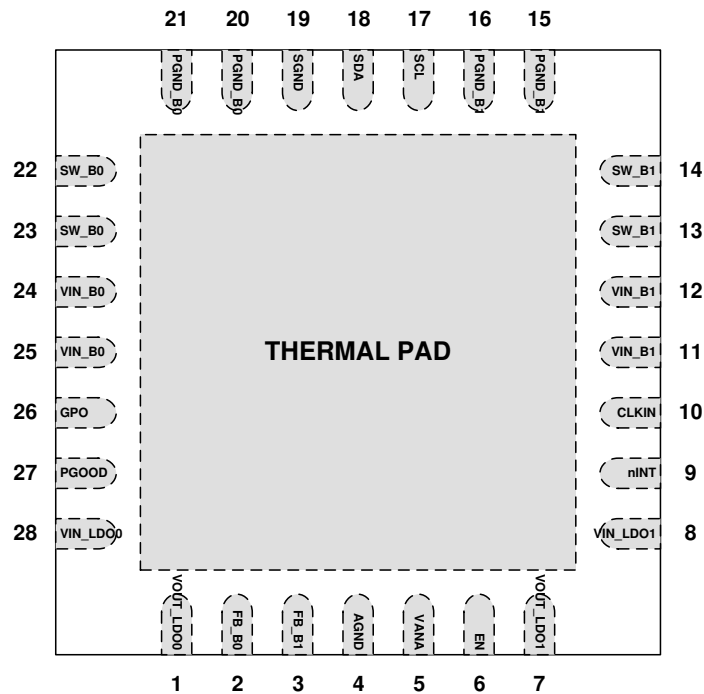


Figure 5-1. RHD Package 28-Pin VQFN With Thermal Pad Top View

Table 5-1. Pin Functions

| PIN | | TYPE ⁽¹⁾ | DESCRIPTION |
|--------|-----------|---------------------|---|
| NUMBER | NAME | | |
| 1 | VOUT_LDO0 | P/O | LDO0 output. If the LDO0 is not used, leave the pin floating. |
| 2 | FB_B0 | A | Output voltage feedback (positive) for Buck 0. |
| 3 | FB_B1 | A | Output voltage feedback (positive) for Buck 1 in two single-phase configuration and output ground feedback (negative) for Buck 0 in dual-phase configuration. |
| 4 | AGND | G | Ground. |
| 5 | VANA | P/I | Supply voltage for analog and digital blocks. Must be connected to same node with VIN_Bx. |
| 6 | EN | D/I | Programmable enable signal for regulators and GPOs. If the pin is not used, leave the pin floating. |
| 7 | VOUT_LDO1 | P/O | LDO1 output. If LDO1 is not used, leave the pin floating. |
| 8 | VIN_LDO1 | P/I | Power input for LDO1. If LDO1 is not used, connect the pin to VANA. |
| 9 | nINT | D/O | Open-drain interrupt output. Active LOW. If the pin is not used, connect the pin to ground. |
| 10 | CLKIN | D/I/O | External clock input. Alternative function is general-purpose digital output (GPO2). If the pin is not used, leave the pin floating. |
| 11, 12 | VIN_B1 | P/I | Input for Buck 1. The separate power pins VIN_Bx are not connected together internally - VIN_Bx pins must be connected together in the application and be locally bypassed. |
| 13, 14 | SW_B1 | P/O | Buck 1 switch node. If the Buck 1 is not used, leave the pin floating. |
| 15, 16 | PGND_B1 | P/G | Power ground for Buck 1. |
| 17 | SCL | D/I | Serial interface clock input for I ² C access. Connect a pullup resistor. If the I ² C interface is not used, connect the pin to Ground. |
| 18 | SDA | D/I/O | Serial interface data input and output for I ² C access. Connect a pullup resistor. If the I ² C interface is not used, connect the pin to Ground. |
| 19 | SGND | G | Ground. |
| 20, 21 | PGND_B0 | P/G | Power ground for Buck 0. |
| 22, 23 | SW_B0 | P/O | Buck 0 switch node. If the Buck 0 is not used, leave the pin floating. |

Table 5-1. Pin Functions (continued)

| PIN | | TYPE ⁽¹⁾ | DESCRIPTION |
|-------------|----------|---------------------|---|
| NUMBER | NAME | | |
| 24, 25 | VIN_B0 | P/I | Input for Buck 0. The separate power pins VIN_Bx are not connected together internally - VIN_Bx pins must be connected together in the application and be locally bypassed. |
| 26 | GPO | D/O | General-purpose digital output. If the pin is not used, leave the pin floating. |
| 27 | PGOOD | D/O | Power-good indication signal. If the pin is not used, leave the pin floating. |
| 28 | VIN_LDO0 | P/I | Power input for LDO0. If the LDO0 is not used, connect the pin to VANA. |
| Thermal Pad | — | — | Connect to PCB ground plane using multiple vias for good thermal performance. |

(1) A: Analog Pin, D: Digital Pin, G: Ground Pin, P: Power Pin, I: Input Pin, and O: Output Pin.

6 Specifications

6.1 Absolute Maximum Ratings

Over operating free-air temperature range (unless otherwise noted)^{(1) (2)}

| | | MIN | MAX | UNIT |
|--|---|------|-------------------------------------|------|
| VIN_Bx, VANA | Voltage on power connections (must use the same input supply) | -0.3 | 6 | V |
| VIN_LDOx | Voltage on power connections | -0.3 | 6 | V |
| SW_Bx | Voltage on buck switch nodes | -0.3 | (VIN_Bx + 0.3 V) with 6-V maximum | V |
| FB_Bx | Voltage on buck voltage sense nodes | -0.3 | (VANA + 0.3 V) with 6-V maximum | V |
| VOUT_LDOx | Voltage on LDO output | -0.3 | (VIN_LDOx + 0.3 V) with 6-V maximum | V |
| SDA, SCL, nINT, EN | Voltage on logic pins (input or output pins) | -0.3 | 6 | V |
| PGOOD, GPO, CLKIN (GPO2) | Voltage on logic pins (input or output pins) | -0.3 | (VANA + 0.3 V) with 6-V maximum | V |
| T _{J-MAX} | Junction temperature | -40 | 150 | °C |
| T _{stg} | Storage temperature | -65 | 150 | |
| Maximum lead temperature (soldering, 10 seconds) | | | 260 | |

- (1) Stresses beyond those listed under *Absolute Maximum Ratings* may cause permanent damage to the device. These are stress ratings only, which do not imply functional operation of the device at these or any other conditions beyond those indicated under [Section 6.3](#). Exposure to absolute-maximum-rated conditions for extended periods may affect device reliability.
- (2) All voltage values are with respect to network ground.

6.2 ESD Ratings

| | | | VALUE | UNIT | |
|--------------------|-------------------------|----------------------------|---|------|------|
| V _(ESD) | Electrostatic discharge | Human-body model (HBM) | ±2000 | V | |
| | | Charged-device model (CDM) | All pins | | ±500 |
| | | | Corner pins (1, 7, 8, 14, 15, 21, 22, 28) | | ±750 |

6.3 Recommended Operating Conditions

Over operating free-air temperature range (unless otherwise noted)

| | | MIN | MAX | UNIT |
|----------------------|---|-----|-------------------------|------|
| INPUT VOLTAGE | | | | |
| VIN_Bx, VANA | Voltage on power connections (must use the same input supply) | 2.8 | 5.5 | V |
| VIN_LDOx | Voltage on LDO inputs | 2.5 | 5.5 | V |
| EN, nINT | Voltage on logic pins (input or output pins) | 0 | 5.5 | V |
| CLKIN | Voltage on logic pins (input pin) | 0 | VANA with 5.5-V maximum | V |
| PGOOD, GPO, GPO2 | Voltage on logic pins (output pins) | 0 | VANA | V |
| SCL, SDA | Voltage on I2C interface, Standard (100 kHz), Fast (400 kHz), Fast+ (1 MHz), and High-Speed (3.4 MHz) Modes | 0 | 1.95 | V |
| | Voltage on I2C interface, Standard (100 kHz), Fast (400 kHz), and Fast+ (1 MHz) Modes | 0 | VANA with 3.6-V maximum | V |
| TEMPERATURE | | | | |
| T _J | Junction temperature | -40 | 140 | °C |
| T _A | Ambient temperature | -40 | 125 | °C |

6.4 Thermal Information

| THERMAL METRIC ⁽¹⁾ | | LP8732xx-Q1 | UNIT |
|-------------------------------|--|-------------|------|
| | | RHD (VQFN) | |
| | | 28 PINS | |
| R _{θJA} | Junction-to-ambient thermal resistance | 36.7 | °C/W |
| R _{θJCTop} | Junction-to-case (top) thermal resistance | 26.6 | °C/W |
| R _{θJB} | Junction-to-board thermal resistance | 8.9 | °C/W |
| ψ _{JT} | Junction-to-top characterization parameter | 0.4 | °C/W |
| ψ _{JB} | Junction-to-board characterization parameter | 8.8 | °C/W |
| R _{θJCbott} | Junction-to-case (bottom) thermal resistance | 2.2 | °C/W |

(1) For more information about traditional and new thermal metrics, see the [Semiconductor and IC Package Thermal Metrics](#) application note.

6.5 Electrical Characteristics

Limits apply over the junction temperature range $-40^{\circ}\text{C} \leq T_J \leq +140^{\circ}\text{C}$, specified V_{VANA} , V_{VIN_Bx} , V_{VIN_LDOx} , V_{VOUT_Bx} , V_{VOUT_LDOx} and I_{OUT} range, unless otherwise noted. Typical values are at $T_J = 25^{\circ}\text{C}$, $V_{VANA} = V_{VIN_Bx} = V_{VIN_LDOx} = 3.7\text{ V}$, and $V_{OUT} = 1\text{ V}$, unless otherwise noted^{(1) (2)}.

| PARAMETER | | TEST CONDITIONS | MIN | TYP | MAX | UNIT |
|--|---|---|------|------|------------------|------|
| EXTERNAL COMPONENTS | | | | | | |
| C _{IN_BUCK} | Input filtering capacitance for buck regulators | Effective capacitance, connected from VIN_Bx to PGND_Bx | 1.9 | 10 | | μF |
| C _{OUT_BUCK} | Output filtering capacitance for buck regulators | Effective capacitance per phase | 10 | 22 | 500 | μF |
| C _{POL_BUCK} | Point-of-load (POL) capacitance for buck regulators | Optional POL capacitance | | 22 | | μF |
| C _{OUT_TOTAL_BUCK} | Buck output capacitance, total (local and POL) | Total output capacitance per phase | | | 500 | μF |
| C _{IN_LDO} | Input filtering capacitance for LDO regulators | Effective capacitance, connected from VIN_LDOx to AGND. C _{IN_LDO} must be at least two times larger than C _{OUT_LDO} | 0.6 | 2.2 | | μF |
| C _{OUT_LDO} | Output filtering capacitance for LDO regulators | Effective capacitance | 0.4 | 1 | 2.7 | μF |
| ESR _C | Input and output capacitor ESR | [1-10] MHz | | 2 | 10 | mΩ |
| L | Inductor | Inductance of the inductor | | 0.47 | | μH |
| | | | -30% | | 30% | |
| DCR _L | Inductor DCR | | | 25 | | mΩ |
| BUCK REGULATORS | | | | | | |
| V _(VIN_Bx) , V _(VANA) | Input voltage range | VIN_Bx and VANA pins must be connected to the same supply line | 2.8 | 3.7 | 5.5 | V |
| V _{OUT_Bx} | Output voltage | Programmable voltage range | 0.7 | 1 | 3.36 | V |
| | | Step size, $0.7\text{ V} \leq V_{OUT} < 0.73\text{ V}$ | | 10 | | mV |
| | | Step size, $0.73\text{ V} \leq V_{OUT} < 1.4\text{ V}$ | | 5 | | |
| | | Step size, $1.4\text{ V} \leq V_{OUT} \leq 3.36\text{ V}$ | | 20 | | |
| I _{OUT_Bx} | Output current | Output current, single-phase output | | | 2 ⁽³⁾ | A |
| | | Output current, dual-phase output | | | 4 ⁽³⁾ | |
| | Input and Output voltage difference | Minimum voltage between V _(VIN_Bx) and V _{OUT} to fulfill the electrical characteristics | 0.8 | | | V |

6.5 Electrical Characteristics (continued)

Limits apply over the junction temperature range $-40^{\circ}\text{C} \leq T_J \leq +140^{\circ}\text{C}$, specified V_{VANA} , V_{VIN_Bx} , V_{VIN_LDOx} , V_{VOUT_Bx} , V_{VOUT_LDOx} and I_{OUT} range, unless otherwise noted. Typical values are at $T_J = 25^{\circ}\text{C}$, $V_{VANA} = V_{VIN_Bx} = V_{VIN_LDOx} = 3.7\text{ V}$, and $V_{OUT} = 1\text{ V}$, unless otherwise noted^{(1) (2)}.

| PARAMETER | | TEST CONDITIONS | MIN | TYP | MAX | UNIT |
|-----------------------|---|---|------|------------|------------|-------------------|
| $V_{OUT_Bx_DC}$ | DC output voltage accuracy, includes voltage reference, DC load and line regulations, process and temperature | Force PWM mode, $V_{OUT} < 1\text{ V}$ | -20 | | 20 | mV |
| | | Force PWM mode, $V_{OUT} \geq 1\text{ V}$ | -2% | | 2% | |
| | | PFM mode, $V_{OUT} < 1\text{ V}$, the average output voltage level is increased by max. 20 mV | -20 | | 40 | mV |
| | | PFM mode, $V_{OUT} \geq 1\text{ V}$, the average output voltage level is increased by max. 20 mV | -2% | | 2% + 20 mV | |
| | Ripple voltage, single-phase output | PWM mode | | 10 | | mV _{p-p} |
| | | PFM mode, $I_{OUT} = 10\text{ mA}$ | | 25 | | |
| | Ripple voltage, dual-phase output | PWM mode | | 5 | | mV _{p-p} |
| | | PFM mode, $I_{OUT} = 10\text{ mA}$ | | 4 | | |
| DC_{LNR} | DC line regulation | $I_{OUT} = 1\text{ A}$ | | ± 0.05 | | %/V |
| DC_{LDR} | DC load regulation in PWM mode | $V_{OUT_Bx} = 1\text{ V}$, I_{OUT} from 0 to $I_{OUT(max)}$ | | 0.3% | | |
| T_{LDSR} | Transient load step response, single-phase output | $I_{OUT} = 0.1\text{ A to } 2\text{ A}$, $T_R = T_F = 400\text{ ns}$, PWM mode | | ± 55 | | mV |
| | Transient load step response, dual-phase output | $I_{OUT} = 0.1\text{ A to } 4\text{ A}$, $T_R = T_F = 400\text{ ns}$, PWM mode | | ± 50 | | mV |
| T_{LNSR} | Transient line response | $V_{(VIN_Bx)}$ stepping $3\text{ V} \leftrightarrow 3.5\text{ V}$, $T_R = T_F = 10\text{ }\mu\text{s}$, $I_{OUT} = I_{OUT(max)}$ | | ± 10 | | mV |
| I_{LIM_FWD} | Forward current limit per phase (peak for every switching cycle) | Programmable range | 1.5 | | 3 | A |
| | | Step size | | 0.5 | | |
| | | Accuracy, $V_{(VIN_Bx)} \geq 3\text{ V}$, $I_{LIM} = 3\text{ A}$ | -5% | 7.5% | 20% | |
| | | Accuracy, $2.8\text{ V} \leq V_{(VIN_Bx)} < 3\text{ V}$, $I_{LIM} = 3\text{ A}$ | -20% | 7.5% | 20% | |
| I_{LIM_NEG} | Negative current limit per phase | | 1.6 | 2.0 | 3.0 | A |
| $R_{DS(ON)\ HS\ FET}$ | On-resistance, high-side FET | Each phase, between VIN_Bx and SW_Bx pins ($I = 1\text{ A}$) | | 50 | 110 | m Ω |
| $R_{DS(ON)\ LS\ FET}$ | On-resistance, low-side FET | Each phase, between SW_Bx and $PGND_Bx$ pins ($I = 1\text{ A}$) | | 45 | 90 | m Ω |
| f_{sw} | Switching frequency | PWM mode | 1.8 | 2 | 2.2 | MHz |
| | Current balancing for dual-phase output | Current mismatch between phases, $I_{OUT} > 1\text{ mA}$ | | | 10% | |
| | Start-up time (soft start) | From ENx to $V_{OUT_Bx} = 0.35\text{ V}$ (slew-rate control begins) | | 120 | | μs |
| | Output voltage slew-rate ⁽⁴⁾ | $SLEW_RATEx[2:0] = 010$, $C_{OUT-TOTAL_BUCK} < 80\text{ }\mu\text{F}$ per phase | -15% | 10 | 15% | mV/ μs |
| | | $SLEW_RATEx[2:0] = 011$, $C_{OUT-TOTAL_BUCK} < 130\text{ }\mu\text{F}$ per phase | | 7.5 | | |
| | | $SLEW_RATEx[2:0] = 100$, $C_{OUT-TOTAL_BUCK} < 250\text{ }\mu\text{F}$ per phase | | 3.8 | | |
| | | $SLEW_RATEx[2:0] = 101$, $C_{OUT-TOTAL_BUCK} < 500\text{ }\mu\text{F}$ per phase | | 1.9 | | |
| | | $SLEW_RATEx[2:0] = 110$, $C_{OUT-TOTAL_BUCK} < 500\text{ }\mu\text{F}$ per phase | | 0.94 | | |
| | | $SLEW_RATEx[2:0] = 111$, $C_{OUT-TOTAL_BUCK} < 500\text{ }\mu\text{F}$ per phase | | 0.47 | | |

6.5 Electrical Characteristics (continued)

Limits apply over the junction temperature range $-40^{\circ}\text{C} \leq T_J \leq +140^{\circ}\text{C}$, specified V_{VANA} , V_{VIN_Bx} , V_{VIN_LDOx} , V_{VOUT_Bx} , V_{VOUT_LDOx} and I_{OUT} range, unless otherwise noted. Typical values are at $T_J = 25^{\circ}\text{C}$, $V_{VANA} = V_{VIN_Bx} = V_{VIN_LDOx} = 3.7\text{ V}$, and $V_{OUT} = 1\text{ V}$, unless otherwise noted^{(1) (2)}.

| PARAMETER | | TEST CONDITIONS | MIN | TYP | MAX | UNIT |
|-----------------------|--|--|-----|---------|-----|---------------------|
| $I_{PFM-PWM}$ | PFM-to-PWM - current threshold ⁽⁵⁾ | | | 550 | | mA |
| $I_{PWM-PFM}$ | PWM-to-PFM - current threshold ⁽⁵⁾ | | | 290 | | mA |
| I_{ADD} | Phase adding level (dual-phase output) | From 1-phase to 2-phase | | 1000 | | mA |
| I_{SHED} | Phase shedding level (dual-phase output) | From 2-phase to 1-phase | | 650 | | mA |
| R_{DIS_Bx} | Output pulldown resistance | Regulator disabled | 150 | 250 | 350 | Ω |
| | Output voltage monitoring for PGOOD pin and for power-good Interrupt | $V_{(VIN_Bx)}$ and $V_{(VANA)}$ fixed 3.7 V | | | | mV |
| | | Overvoltage threshold (compared to DC output voltage level, $V_{VOUT_Bx_DC}$) | 39 | 50 | 64 | |
| | | Undervoltage threshold (compared to DC output voltage level, $V_{VOUT_Bx_DC}$) | -53 | -40 | -29 | |
| | | Deglitch time during operation and after voltage change | 4 | | 15 | |
| | Gating time for PGOOD signal after regulator enable or voltage change | PGOOD_MODE = 0 | | 800 | | μs |
| LDO REGULATORS | | | | | | |
| V_{IN_LDOx} | Input voltage range for LDO power inputs | V_{IN_LDOx} can be higher or lower than $V_{(VANA)}$ | 2.5 | 3.7 | 5.5 | V |
| V_{OUT_LDOx} | Output voltage | Programmable voltage range | 0.8 | | 3.3 | V |
| | | Step size | | 0.1 | | |
| I_{OUT_LDOx} | Output current | | | | 300 | mA |
| | Dropout voltage | $V_{(VIN_LDOx)} - V_{(VOUT_LDOx)}$; $I_{OUT} = I_{OUT(max)}$; Programmed output voltage is higher than $V_{(VIN_LDOx)}$ | | | 200 | mV |
| $V_{OUT_LDO_DC}$ | DC output voltage accuracy, includes voltage reference, DC load and line regulations, process, temperature | $V_{OUT} < 1\text{ V}$ | -20 | | 20 | mV |
| | | $V_{OUT} \geq 1\text{ V}$ | -2% | | 2% | |
| DC_{LNR} | DC line regulation | $I_{OUT} = 1\text{ mA}$ | | 0.1 | | %/V |
| DC_{LDR} | DC load regulation | $I_{OUT} = 1\text{ mA}$ to $I_{OUT(max)}$ | | 0.8% | | |
| T_{LDSR} | Transient load step response | $I_{OUT} = 1\text{ mA}$ to 300 mA , $T_R = T_F = 1\text{ }\mu\text{s}$ | | -50/+40 | | mV |
| T_{LNSR} | Transient line response | $V_{(VIN_LDOx)}$ stepping 3 V \leftrightarrow 3.5 V, $T_R = T_F = 10\text{ }\mu\text{s}$, $I_{OUT} = I_{OUT(max)}$ | | ± 7 | | mV |
| PSRR | Power supply ripple rejection | $f = 10\text{ kHz}$, $I_{OUT} = I_{OUT(max)}$ | | 53 | | dB |
| | Noise | $10\text{ Hz} < F < 100\text{ kHz}$, $I_{OUT} = I_{OUT(max)}$ | | 82 | | μV_{rms} |
| $I_{SHORT(LDOx)}$ | LDO current limit | $V_{OUT} = 0\text{ V}$ | 400 | 500 | 600 | mA |
| | Start-up time | From enable to valid output voltage | | 300 | | μs |
| | Slew rate during start-up | | | 15 | | mV/ μs |
| R_{DIS_LDOx} | Output pulldown resistance | Regulator disabled | 150 | 250 | 350 | Ω |

6.5 Electrical Characteristics (continued)

Limits apply over the junction temperature range $-40^{\circ}\text{C} \leq T_J \leq +140^{\circ}\text{C}$, specified V_{VANA} , V_{VIN_Bx} , V_{VIN_LDOx} , V_{VOUT_Bx} , V_{VOUT_LDOx} and I_{OUT} range, unless otherwise noted. Typical values are at $T_J = 25^{\circ}\text{C}$, $V_{VANA} = V_{VIN_Bx} = V_{VIN_LDOx} = 3.7\text{ V}$, and $V_{OUT} = 1\text{ V}$, unless otherwise noted^{(1) (2)}.

| PARAMETER | | TEST CONDITIONS | MIN | TYP | MAX | UNIT |
|---|---|---|------|------|-------|--------------------|
| | Output voltage monitoring for PGOOD pin and for power-good interrupt | Overvoltage monitoring, voltage rising (compared to DC output voltage level, $V_{OUT_LDO_DC}$) | 106% | 108% | 110% | |
| | | Overvoltage monitoring, hysteresis | 3% | 3.5% | 4% | |
| | | Undervoltage monitoring, voltage falling (compared to DC output voltage level, $V_{OUT_LDO_DC}$) | 90% | 92% | 94% | |
| | | Undervoltage monitoring, hysteresis | 3% | 3.5% | 4% | |
| | | Deglintch time during operation and after voltage change | 4 | | 15 | μs |
| | Gating time for PGOOD signal after regulator enable or voltage change | PGOOD_MODE = 0 | | 800 | | μs |
| EXTERNAL CLOCK AND PLL | | | | | | |
| f_{EXT_CLK} | External input clock ⁽⁶⁾ | Nominal frequency | 1 | | 24 | MHz |
| | | Nominal frequency step size | | 1 | | |
| | | Required accuracy from nominal frequency | -30% | | 10% | |
| | External clock detection | Delay for missing clock detection | | | 1.8 | μs |
| | | Delay and debounce for clock detection | | | 20 | |
| | Clock change delay (internal to external) | Delay from valid clock detection to use of external clock | | 600 | | μs |
| | PLL output clock jitter | Cycle to cycle | | 300 | | ps, p-p |
| PROTECTION FUNCTIONS | | | | | | |
| | Thermal warning | Temperature rising, TDIE_WARN_LEVEL = 0 | 115 | 125 | 135 | $^{\circ}\text{C}$ |
| | | Temperature rising, TDIE_WARN_LEVEL = 1 | 127 | 137 | 147 | |
| | | Hysteresis | | 20 | | |
| | Thermal shutdown | Temperature rising | 140 | 150 | 160 | $^{\circ}\text{C}$ |
| | | Hysteresis | | 20 | | |
| V_{ANA_OVP} | VANA overvoltage | Voltage rising | 5.6 | 5.8 | 6.1 | V |
| | | Voltage falling | 5.45 | 5.73 | 5.96 | |
| | | Hysteresis | 40 | | | |
| V_{ANA_UVLO} | VANA undervoltage lockout | Voltage rising | 2.51 | 2.63 | 2.75 | V |
| | | Voltage falling | 2.5 | 2.6 | 2.7 | |
| | Buck short-circuit detection | Threshold | 280 | 360 | 440 | mV |
| | LDO short-circuit detection | Threshold | 190 | 300 | 450 | mV |
| LOAD CURRENT MEASUREMENT FOR BUCK REGULATORS | | | | | | |
| | Current measurement range | Maximum code | | | 10.22 | A |
| | Resolution | LSB | | 20 | | mA |
| | Measurement accuracy | $I_{OUT} > 1\text{ A}$ per phase | | <10% | | |
| | Measurement time | PFM mode (automatically changing to PWM mode for the measurement) | | 45 | | μs |
| | | PWM mode | | 4 | | |
| CURRENT CONSUMPTION | | | | | | |

6.5 Electrical Characteristics (continued)

Limits apply over the junction temperature range $-40^{\circ}\text{C} \leq T_J \leq +140^{\circ}\text{C}$, specified V_{VANA} , V_{VIN_Bx} , V_{VIN_LDOx} , V_{VOUT_Bx} , V_{VOUT_LDOx} and I_{OUT} range, unless otherwise noted. Typical values are at $T_J = 25^{\circ}\text{C}$, $V_{VANA} = V_{VIN_Bx} = V_{VIN_LDOx} = 3.7\text{ V}$, and $V_{OUT} = 1\text{ V}$, unless otherwise noted^{(1) (2)}.

| PARAMETER | | TEST CONDITIONS | MIN | TYP | MAX | UNIT |
|--|--|---|------------------|-----|------------|------------------|
| | Standby current consumption, regulators disabled | | | 9 | | μA |
| | Active current consumption, one buck regulator enabled in auto mode, internal RC oscillator, PGOOD monitoring enabled | Single-phase output: $I_{OUT_Bx} = 0\text{ mA}$, not switching | | 58 | | μA |
| | Active current consumption, two buck regulators enabled in auto mode, internal RC oscillator, PGOOD monitoring enabled | Single-phase output: $I_{OUT_Bx} = 0\text{ mA}$, not switching | | 100 | | μA |
| | Active current consumption, one buck regulator enabled in auto mode, internal RC oscillator, PGOOD monitoring enabled | Dual-phase output: $I_{OUT_Bx} = 0\text{ mA}$, not switching | | 72 | | μA |
| | Active current consumption during PWM operation, one buck regulator enabled | Single-phase output: $I_{OUT_Bx} = 0\text{ mA}$ | | 15 | | mA |
| | Active current consumption during PWM operation, two buck regulators enabled | Single-phase output: $I_{OUT_Bx} = 0\text{ mA}$ | | 30 | | mA |
| | Active current consumption during PWM operation, buck regulator enabled | Dual-phase output: $I_{OUT_Bx} = 0\text{ mA}$ | | 15 | | mA |
| | LDO regulator enabled | Additional current consumption per LDO, $I_{OUT_LDOx} = 0\text{ mA}$ | | 86 | | μA |
| | PLL and clock detector current consumption | $f_{EXT_CLK} = 1\text{ MHz}$, Additional current consumption when enabled | | 2 | | mA |
| DIGITAL INPUT SIGNALS EN, SCL, SDA, CLKIN | | | | | | |
| V_{IL} | Input low level | | | | 0.4 | V |
| V_{IH} | Input high level | | 1.2 | | | |
| V_{HYS} | Hysteresis of Schmitt Trigger inputs | | 10 | 80 | 200 | mV |
| | EN/CLKIN pull-down resistance | EN_PD/CLKIN_PD = 1 | | 500 | | $\text{k}\Omega$ |
| DIGITAL OUTPUT SIGNALS nINT, SDA | | | | | | |
| V_{OL} | Output low level | nINT: $I_{SOURCE} = 2\text{ mA}$ | | | 0.4 | V |
| | | SDA: $I_{SOURCE} = 20\text{ mA}$ | | | 0.4 | V |
| R_P | External pullup resistor for nINT | To VIO Supply | | 10 | | $\text{k}\Omega$ |
| DIGITAL OUTPUT SIGNALS PGOOD, GPO, GPO2 | | | | | | |
| V_{OL} | Output low level | $I_{SOURCE} = 2\text{ mA}$ | | | 0.4 | V |
| V_{OH} | Output high level, configured to push-pull | $I_{SINK} = 2\text{ mA}$ | $V_{VANA} - 0.4$ | | V_{VANA} | V |

6.5 Electrical Characteristics (continued)

Limits apply over the junction temperature range $-40^{\circ}\text{C} \leq T_J \leq +140^{\circ}\text{C}$, specified V_{VANA} , V_{VIN_Bx} , V_{VIN_LDOx} , V_{VOUT_Bx} , V_{VOUT_LDOx} and I_{OUT} range, unless otherwise noted. Typical values are at $T_J = 25^{\circ}\text{C}$, $V_{VANA} = V_{VIN_Bx} = V_{VIN_LDOx} = 3.7\text{ V}$, and $V_{OUT} = 1\text{ V}$, unless otherwise noted^{(1) (2)}.

| PARAMETER | | TEST CONDITIONS | MIN | TYP | MAX | UNIT |
|---------------------------|---|---|-----|-----|------------|---------------|
| V_{PU} | Supply voltage for external pullup resistor, configured to open-drain | | | | V_{VANA} | V |
| R_{PU} | External pullup resistor, configured to open-drain | | | 10 | | k Ω |
| ALL DIGITAL INPUTS | | | | | | |
| I_{LEAK} | Input current | All logic inputs over pin voltage range | -1 | | 1 | μA |

- (1) All voltage values are with respect to network ground.
- (2) Minimum (MIN) and Maximum (MAX) limits are specified by design, test, or statistical analysis. Typical (TYP) numbers are not verified, but do represent the most likely norm.
- (3) The maximum output current can be limited by the forward current limit I_{LIM_FWD} . The power dissipation inside the die increases the junction temperature and limits the maximum current depending of the length of the current pulse, efficiency, board and ambient temperature.
- (4) The slew-rate can be limited by the current limit (forward or negative current limit), output capacitance and load current.
- (5) The final PFM-to-PWM and PWM-to-PFM switchover current varies slightly and is dependent on the output voltage, input voltage and the inductor current level.
- (6) The external clock frequency must be selected so that buck switching frequency is above 1.7 MHz.

6.6 I²C Serial Bus Timing Parameters

These specifications are ensured by design. Unless otherwise noted, $V_{IN_BX} = 3.7\text{ V}$ (see ⁽¹⁾). See Figure 6-1 for details about the I²C-Compatible Timing diagram.

| | | | MIN | MAX | UNIT |
|---------------------|--|--|------|------|------|
| f _{SCL} | Serial clock frequency | Standard mode | | 100 | kHz |
| | | Fast mode | | 400 | |
| | | Fast mode+ | | 1 | MHz |
| | | High-speed mode, C _b = 100 pF | | 3.4 | |
| | | High-speed mode, C _b = 400 pF | | 1.7 | |
| t _{LOW} | SCL low time | Standard mode | 4.7 | | μs |
| | | Fast mode | 1.3 | | |
| | | Fast mode+ | 0.5 | | |
| | | High-speed mode, C _b = 100 pF | 0.16 | | |
| | | High-speed mode, C _b = 400 pF | 0.32 | | |
| t _{HIGH} | SCL high time | Standard mode | 4 | | μs |
| | | Fast mode | 0.6 | | |
| | | Fast mode+ | 0.26 | | |
| | | High-speed mode, C _b = 100 pF | 0.06 | | |
| | | High-speed mode, C _b = 400 pF | 0.12 | | |
| t _{SU,DAT} | Data setup time | Standard mode | 250 | | ns |
| | | Fast mode | 100 | | |
| | | Fast mode+ | 50 | | |
| | | High-speed mode | 10 | | |
| t _{HD,DAT} | Data hold time | Standard mode | 10 | 3450 | ns |
| | | Fast mode | 10 | 900 | |
| | | Fast mode+ | 10 | | |
| | | High-speed mode, C _b = 100 pF | 10 | 70 | |
| | | High-speed mode, C _b = 400 pF | 10 | 150 | |
| t _{SU,STA} | Setup time for a start or a repeated start condition | Standard mode | 4.7 | | μs |
| | | Fast mode | 0.6 | | |
| | | Fast mode+ | 0.26 | | |
| | | High-speed mode | 0.16 | | |
| t _{HD,STA} | Hold time for a start or a repeated start condition | Standard mode | 4 | | μs |
| | | Fast mode | 0.6 | | |
| | | Fast mode+ | 0.26 | | |
| | | High-speed mode | 0.16 | | |
| t _{BUF} | Bus free time between a stop and start condition | Standard mode | 4.7 | | μs |
| | | Fast mode | 1.3 | | |
| | | Fast mode + | 0.5 | | |
| t _{SU,STO} | Setup time for a stop condition | Standard mode | 4 | | μs |
| | | Fast mode | 0.6 | | |
| | | Fast mode+ | 0.26 | | |
| | | High-speed mode | 0.16 | | |

6.6 I²C Serial Bus Timing Parameters (continued)

These specifications are ensured by design. Unless otherwise noted, $V_{IN_Bx} = 3.7\text{ V}$ (see (1)). See Figure 6-1 for details about the I²C-Compatible Timing diagram.

| | | | MIN | MAX | UNIT |
|------------|--|---|-------------------------------------|------|------|
| t_{rDA} | Rise time of SDA signal | Standard mode | | 1000 | ns |
| | | Fast mode | 20 | 300 | |
| | | Fast mode+ | | 120 | |
| | | High-speed mode, $C_b = 100\text{ pF}$ | 10 | 80 | |
| | | High-speed mode, $C_b = 400\text{ pF}$ | 20 | 160 | |
| t_{fDA} | Fall time of SDA signal | Standard mode | | 300 | ns |
| | | Fast mode | $20 \times (V_{DD} / 5.5\text{ V})$ | 300 | |
| | | Fast mode+ | $20 \times (V_{DD} / 5.5\text{ V})$ | 120 | |
| | | High-speed mode, $C_b = 100\text{ pF}$ | 10 | 80 | |
| | | High-speed mode, $C_b = 400\text{ pF}$ | 30 | 160 | |
| t_{rCL} | Rise time of SCL signal | Standard mode | | 1000 | ns |
| | | Fast mode | 20 | 300 | |
| | | Fast mode+ | | 120 | |
| | | High-speed mode, $C_b = 100\text{ pF}$ | 10 | 40 | |
| | | High-speed mode, $C_b = 400\text{ pF}$ | 20 | 80 | |
| t_{rCL1} | Rise time of SCL signal after a repeated start condition and after an acknowledge bit | High-speed mode, $C_b = 100\text{ pF}$ | 10 | 80 | ns |
| | | High-speed mode, $C_b = 400\text{ pF}$ | 20 | 160 | |
| t_{fCL} | Fall time of a SCL signal | Standard mode | | 300 | ns |
| | | Fast mode | $20 \times (V_{DD} / 5.5\text{ V})$ | 300 | |
| | | Fast mode+ | $20 \times (V_{DD} / 5.5\text{ V})$ | 120 | |
| | | High-speed mode, $C_b = 10 - 100\text{ pF}$ | 10 | 40 | |
| | | High-speed mode, $C_b = 400\text{ pF}$ | 20 | 80 | |
| C_b | Capacitive load for each bus line (SCL and SDA) | | | 400 | pF |
| t_{SP} | Pulse width of spike suppressed (SCL and SDA spikes that are less than the indicated width are suppressed) | Standard mode, fast mode, and fast mode+ | | 50 | ns |
| | | High-speed mode | | 10 | |

(1) C_b refers to the capacitance of one bus line.

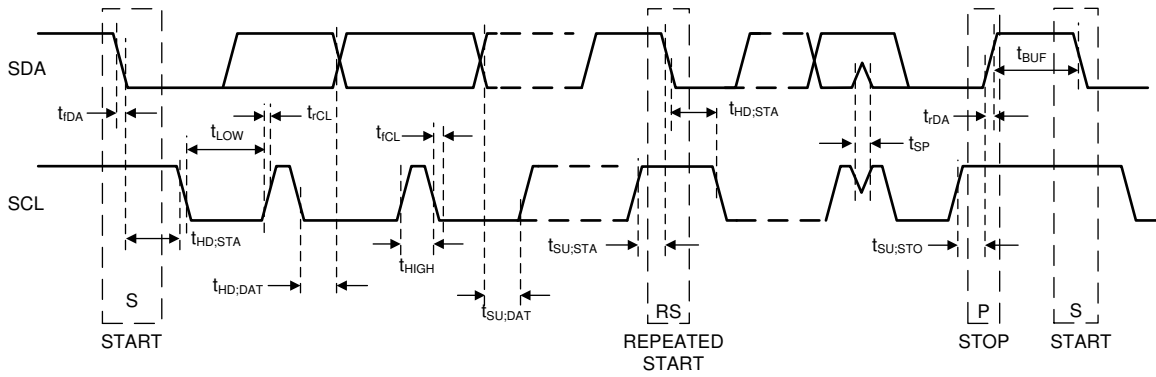
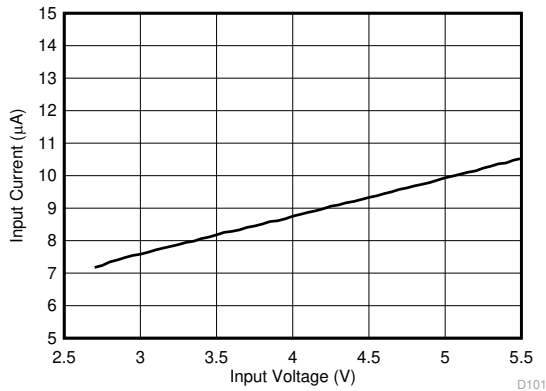


Figure 6-1. I²C-Compatible Timing

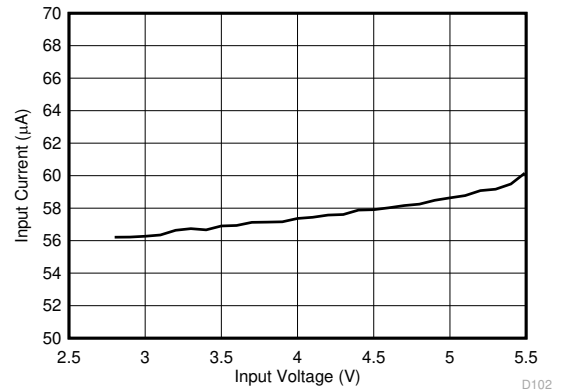
6.7 Typical Characteristics

Unless otherwise specified: $V_{(VIN_Bx)} = V_{(VIN_LDOx)} = V_{(VANA)} = 3.7\text{ V}$, $V_{OUT_Bx} = 1\text{ V}$, $V_{OUT_LDO} = 1\text{ V}$, $T_A = 25^\circ\text{C}$, $L = 0.47\text{ }\mu\text{H}$ (TOKO DFE252012PD-R47M), $C_{OUT_BUCK} = 22\text{ }\mu\text{F / phase}$, $C_{POL_BUCK} = 22\text{ }\mu\text{F}$, and $C_{OUT_LDO} = 1\text{ }\mu\text{F}$.



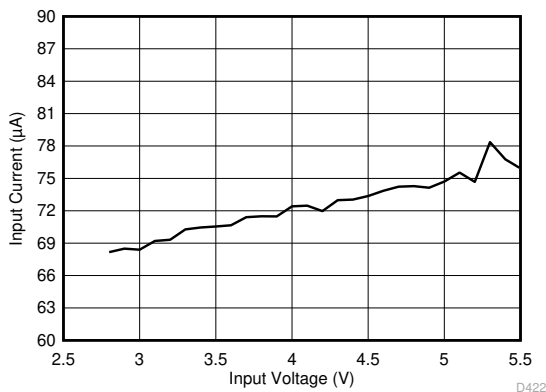
Regulators disabled

Figure 6-2. Standby Current Consumption vs Input Voltage



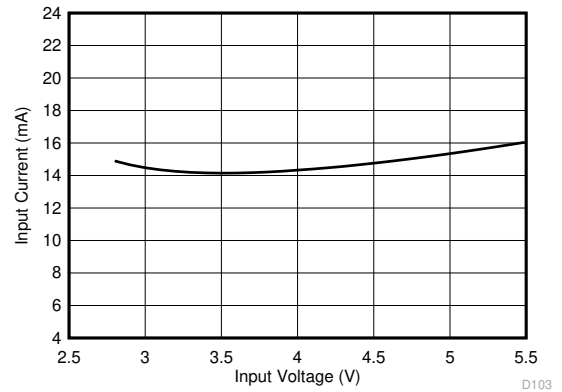
$V_{OUT_Bx} = 1\text{ V}$ Load = 0 mA

Figure 6-3. Active State Current Consumption vs Input Voltage, One Buck Regulator Enabled in PFM Mode (single-phase)



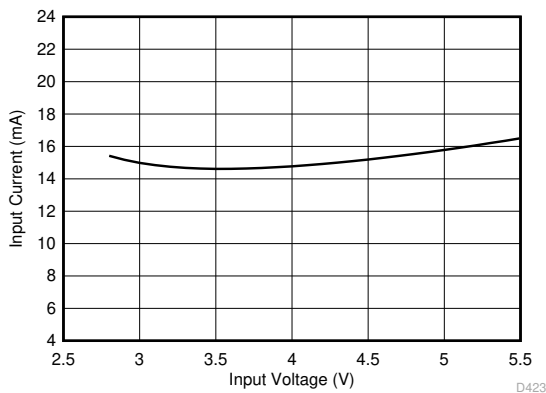
$V_{OUT_Bx} = 1\text{ V}$ Load = 0 mA

Figure 6-4. Active State Current Consumption vs Input Voltage, Regulator Enabled in PFM Mode (dual-phase)



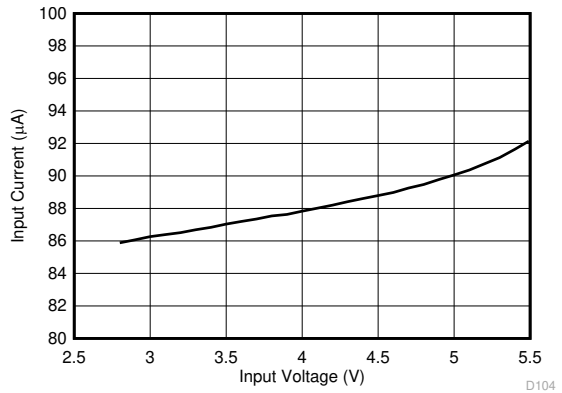
$V_{OUT_Bx} = 1\text{ V}$ Load = 0 mA

Figure 6-5. Active State Current Consumption vs Input Voltage, One Buck Regulator Enabled in Forced PWM Mode (single-phase)



$V_{OUT_Bx} = 1\text{ V}$ Load = 0 mA

Figure 6-6. Active State Current Consumption vs Input Voltage, Regulator Enabled in Forced PWM Mode (dual-phase)



$V_{OUT_LDOx} = 1\text{ V}$ Load = 0 mA

Figure 6-7. Active State Current Consumption vs Input Voltage, One LDO Regulator Enabled

7 Detailed Description

7.1 Overview

The LP8732xx-Q1 is a high-efficiency, high-performance flexible power supply device with two step-down DC/DC converter cores (Buck0 and Buck1) and two low-dropout (LDO) linear regulators (LDO0 and LDO1) for automotive applications. The cores can be configured for a two single-phase output and dual-phase single output configuration. [Table 7-1](#) lists the output characteristics of the regulators.

Table 7-1. Supply Specification

| SUPPLY | OUTPUT | | |
|---------------------------------|----------------------------|---|--|
| | V _{OUT} RANGE (V) | RESOLUTION (mV) | I _{MAX} MAXIMUM OUTPUT CURRENT (mA) |
| Buck0 (single-phase) | 0.7 to 3.36 | 10 (0.7 V to 0.73 V) 5 (0.73 V to 1.4 V) 20 (1.4 V to 3.36 V) | 2000 |
| Buck1 (single-phase) | 0.7 to 3.36 | 10 (0.7 V to 0.73 V) 5 (0.73 V to 1.4 V) 20 (1.4 V to 3.36 V) | 2000 |
| Buck0 and Buck1 (dual-phase) | 0.7 to 3.36 | 10 (0.7 V to 0.73 V) 5 (0.73 V to 1.4 V) 20 (1.4 V to 3.36 V) | 4000 |
| LDO0 | 0.8 to 3.3 | 100 | 300 |
| LDO1 | 0.8 to 3.3 | 100 | 300 |

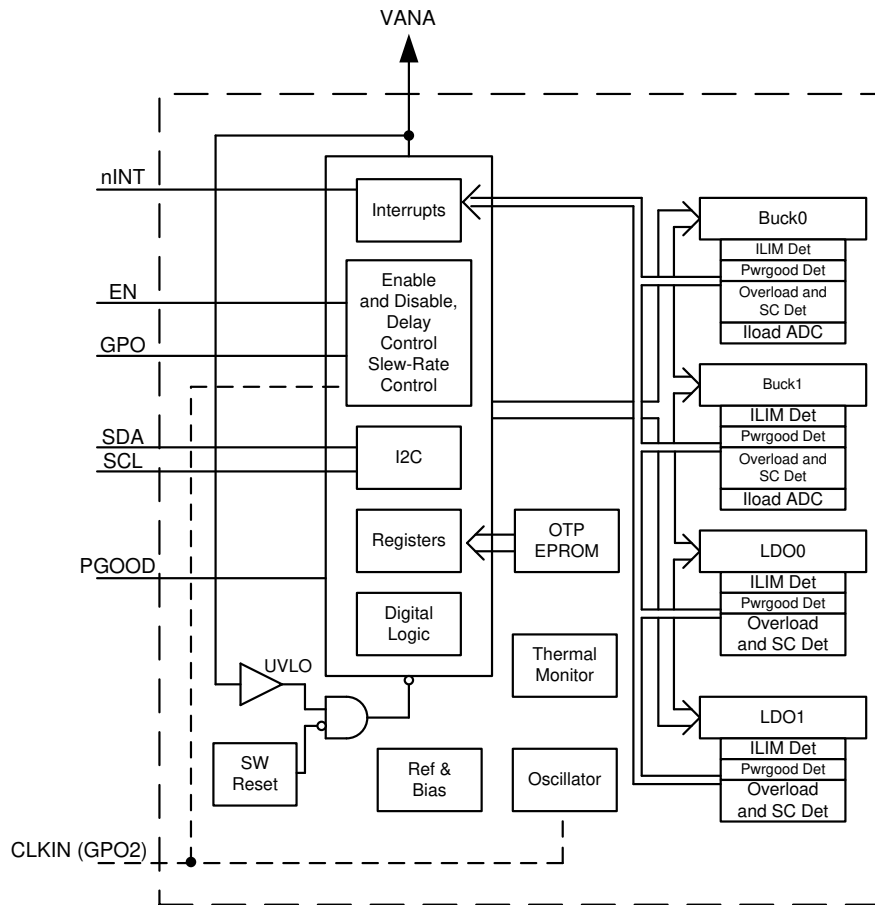
The LP8732xx-Q1 also supports switching clock synchronization to an external clock (CLKIN pin). The nominal frequency of the external clock can be from 1 MHz to 24 MHz with 1-MHz steps.

Additional features include:

- Soft-start
- Input voltage protection:
 - Undervoltage lockout
 - Overvoltage protection
- Output voltage monitoring and protection:
 - Overvoltage monitoring
 - Undervoltage monitoring
 - Overload protection
- Thermal warning
- Thermal shutdown

The LP8732xx-Q1 has one dedicated general purpose digital output (GPO) signal. The CLKIN pin can be programmed as a second GPO signal (GPO2), if the external clock is not needed. The output type (open-drain or push-pull) is programmable for the GPOs.

7.2 Functional Block Diagram



Copyright © 2016, Texas Instruments Incorporated

7.3 Feature Description

7.3.1 DC/DC Converters

7.3.1.1 Overview

The LP8732xx-Q1 includes two step-down DC/DC converter cores. The cores are designed for flexibility; most of the functions are programmable, thus giving a possibility to optimize the regulator operation for each application. The cores can be configured either for a dual-phase single output configuration or for a single-phase dual output configuration. The buck regulators deliver 0.7-V to 3.36-V regulated voltage rails from a 2.8-V to 5.5-V supply voltage.

The LP8732xx-Q1 has the following features:

- DVS support with programmable slew rate
- Automatic mode control based on the loading (PFM or PWM mode)
- Forced PWM mode option
- Optional external clock input to minimize crosstalk
- Optional spread-spectrum technique to reduce EMI
- Phase control for optimized EMI
- Synchronous rectification
- Current mode loop with PI compensator
- Soft start
- Power Good flag with maskable interrupt
- Power Good signal (PGOOD) with selectable sources

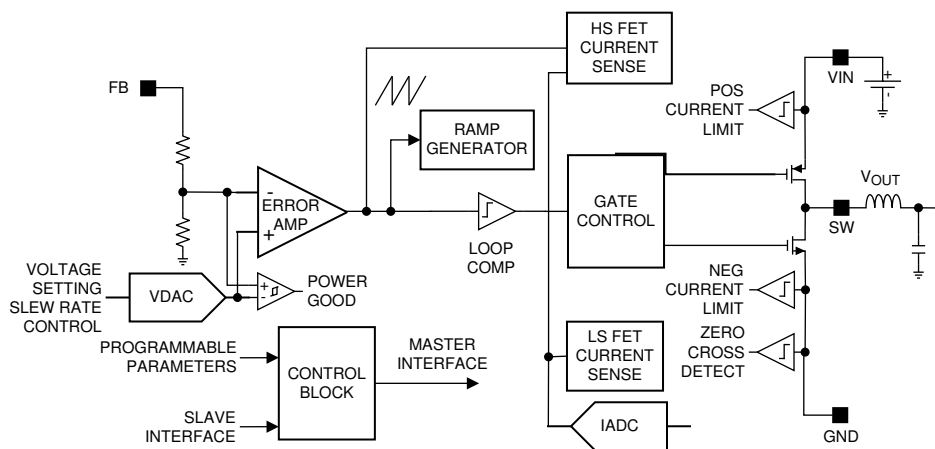
- Average output current sensing (for PFM entry, phase shedding and adding in dual-phase configuration, and load current measurement)
- Current balancing between the phases of the converter in dual-phase configuration
- Differential voltage sensing from point of the load in dual-phase configuration
- Dynamic phase shedding and adding, each output being phase shifted in dual-phase configuration

The following parameters can be programmed through the registers, the default values are set by OTP bits:

- Output voltage
- Forced PWM operation
- Forced dual-phase operation (forces also the PWM operation)
- Switch current limit
- Output voltage slew rate
- Enable and disable delays

There are two modes of operation for the buck converter, depending on the output current required: pulse-width modulation (PWM) and pulse-frequency modulation (PFM). The converter operates in PWM mode at high load currents of approximately 600 mA or higher. When operating in PWM mode in dual-phase configuration the phases are automatically added and shedded based on the load current level. Lighter output current loads cause the converter to automatically switch into PFM mode for reduced current consumption when forced PWM mode is disabled. The forced PWM mode can be selected to maintain fixed switching frequency at all load current levels.

A block diagram of a single core is shown in [Figure 7-1](#).



Copyright © 2016, Texas Instruments Incorporated

Figure 7-1. Detailed Block Diagram Showing One Core

7.3.1.2 Dual-Phase Operation and Phase-Adding/Shedding

Under heavy load conditions, the dual-phase converter switches both channel 180° apart. As a result, the dual-phase converter has an effective ripple frequency two times greater than the switching frequency of a single phase. However, the parallel operation decreases the efficiency at light load conditions. In order to overcome this operational inefficiency, the LP8732xx-Q1 can change the number of active phases to optimize efficiency for the variations of the load. This is called phase adding and shedding. The concept is shown in [Figure 7-2](#).

The converter can be forced to dual-phase operation by the BUCK0_FPWM_MP bit in the BUCK0_CTRL_1 register. If the regulator operates in forced dual-phase mode the forced PWM operation is automatically used. If the dual-phase operation is not forced, the number of phases are added and shedded automatically to follow the required output current.

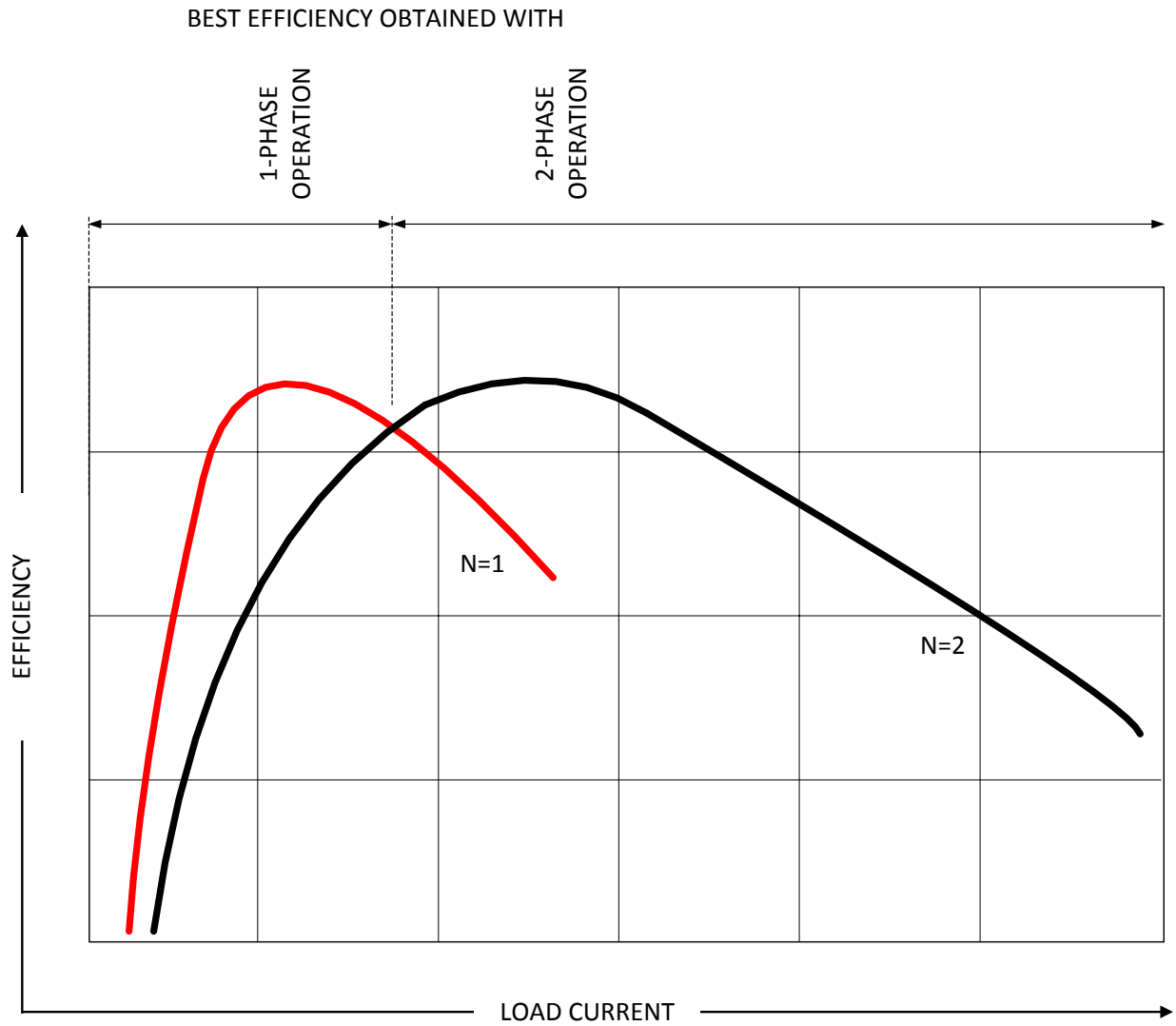


Figure 7-2. Multiphase Buck Converter Efficiency vs Number of Phases. All Converters in PWM mode. (UPDATE) ¹

Interleaving switching action of the converters and channels in a 2-phase configuration is shown in [Figure 7-3](#).

¹ Graph is not in scale and is for illustrative purposes only.

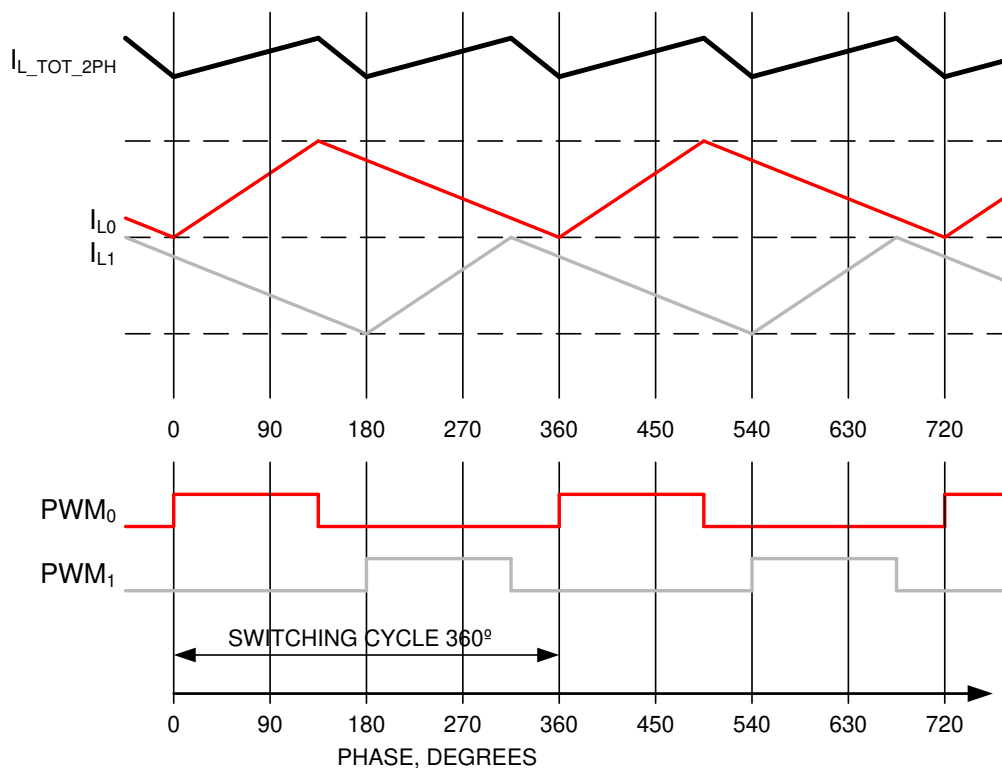


Figure 7-3. PWM Timings and Inductor Current Waveforms in 2-phase Configuration. (UPDATE) ²

7.3.1.3 Transition Between PWM and PFM Modes

The PWM mode operation with phase-adding and shedding optimizes efficiency at mid to full load at the expense of light-load efficiency. The LP8732xx-Q1 converter operates in the PWM mode at load current of about 600 mA or higher. At lighter load current levels the device automatically switches into the PFM mode for reduced current consumption when forced PWM mode is disabled (AUTO mode operation). By combining the PFM and the PWM modes, a high efficiency is achieved over a wide output-load current range.

7.3.1.4 Dual-Phase Switcher Configurations

The LP8732xx-Q1 device supports the following regulator configurations:

- Single dual-phase configuration, Buck0 is master (Buck0 and Buck1)
- Two single-phase configuration (Buck0 and Buck1)

In the dual-phase configuration the control of the dual-phase regulator settings is done using the control registers of the master buck. The following slave registers are ignored:

- The BUCK1_CTRL_1 (except the EN_RDIS1 bit)
- The BUCK1_CTRL_2 (except the ILIM1[2:0] bits)
- The BUCK1_VOUT
- The BUCK1_DELAY
- The Interrupt bits related to the slave buck (except the BUCK1_ILIM_INT)

7.3.1.5 Buck Converter Load Current Measurement

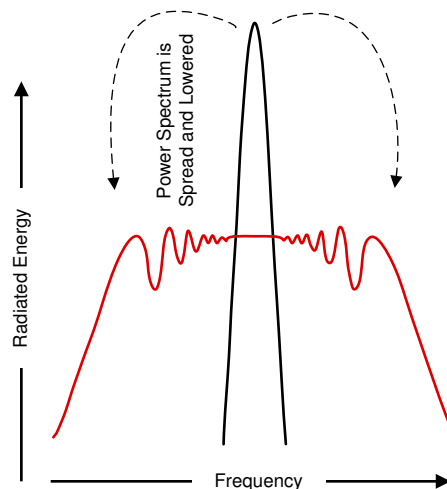
The buck load current can be monitored through I²C registers. The monitored buck converter is selected with the LOAD_CURRENT_BUCK_SELECT bit in the SEL_I_LOAD register. A write to this selection register starts a current measurement sequence. The regulator is automatically forced to the PWM mode for the measurement period. The measurement sequence is 50 μ s long, maximum.

² Graph is not in scale and is for illustrative purposes only.

The LP8732xx-Q1 device can be configured to give out an interrupt (the I_MEAS_INT bit in the INT_TOP_1 register) after the load current measurement sequence is finished. The load current measurement interrupt can be masked with the I_MEAS_MASK bit (TOP_MASK_1 register). The measurement result can be read from the registers I_LOAD_1 and I_LOAD_2. The register I_LOAD_1 bits BUCK_LOAD_CURRENT[7:0] gives out the LSB bits, and the register I_LOAD_2 bit BUCK_LOAD_CURRENT[8] gives out the MSB bit. The measurement result BUCK_LOAD_CURRENT[8:0] LSB is 20 mA, and the maximum code value of the measurement corresponds to 10.22 A. In dual-phase configuration, the measured current is the total value of the master and slave phases.

7.3.1.6 Spread-Spectrum Mode

Systems with periodic switching signals may generate a large amount of switching noise in a set of narrowband frequencies (the switching frequency and its harmonics). The usual solution to reduce noise coupling is to add EMI-filters and shields to the boards. The LP8732xx-Q1 has a register-selectable spread-spectrum mode which minimizes the need for output filters, ferrite beads, or chokes. In spread spectrum mode, the switching frequency varies around the center frequency, reducing the EMI emissions radiated by the converter and associated passive components and PCB traces (see Figure 7-4). Spread-spectrum mode is only available when an internal RC oscillator is used (EN_PLL bit is 0 in PLL_CTRL register), it is enabled with the EN_SPREAD_SPEC bit in the CONFIG register, and it affects both buck cores.



Where a fixed frequency converter exhibits large amounts of spectral energy at the switching frequency, the spread spectrum architecture of the LP8732xx-Q1 spreads that energy over a large bandwidth.

Figure 7-4. Spread-Spectrum Modulation

7.3.2 Sync Clock Functionality

The LP8732xx-Q1 device contains a CLKIN input to synchronize the switching clock of the buck regulators with the external clock. The block diagram of the clocking and PLL module is shown in Figure 7-5. Depending on the EN_PLL bit in the PLL_CTRL register and the external clock availability, the external clock is selected and interrupt is generated as shown in Table 7-2. The interrupt can be masked with the SYNC_CLK_MASK bit in the TOP_MASK_1 register. The nominal frequency of the external input clock is set by the EXT_CLK_FREQ[4:0] bits in the PLL_CTRL register, and it can be from 1 MHz to 24 MHz with 1-MHz steps. The external clock must be inside accuracy limits (–30%/+10%) of the selected frequency for valid clock detection.

The SYNC_CLK_INT interrupt in the INT_TOP_1 register is also generated in cases where the external clock is expected but is not available. These cases occur when EN_PLL is 1 during start-up (read OTP-to-standby transition) and during Buck regulator enable (standby-to-active transition).

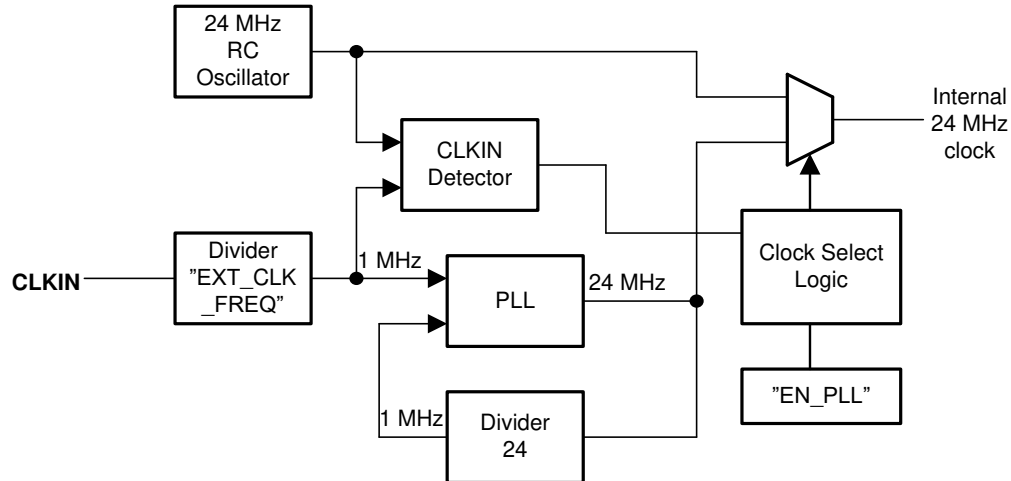


Figure 7-5. Clock and PLL Module

Table 7-2. PLL Operation

| DEVICE OPERATION MODE | EN_PLL | PLL AND CLOCK DETECTOR STATE | INTERRUPT FOR EXTERNAL CLOCK | CLOCK |
|-----------------------|--------|------------------------------|---|---|
| STANDBY | 0 | Disabled | No | Internal RC |
| ACTIVE | 0 | Disabled | No | Internal RC |
| STANDBY | 1 | Enabled | When external clock appears or disappears | Automatic change to external clock when available |
| ACTIVE | 1 | Enabled | When external clock appears or disappears | Automatic change to external clock when available |

7.3.3 Low-Dropout Linear Regulators (LDOs)

The LP8732xx-Q1 device includes two identical linear regulators, LDO0 and LDO1, which target analog loads with low noise requirements. The LDO regulators deliver 0.8-V to 3.3-V regulated voltage rails from a 2.5-V to 5.5-V input voltage. Both regulators have dedicated inputs which can be higher or lower than the device system voltage $V_{(VANA)}$ to minimize the power dissipation.

7.3.4 Power-Up

The power-up sequence for the LP8732xx-Q1 is as follows:

- The VANA and VIN_Bx reach minimum recommended levels ($V_{VANA} > VANA_{UVLO}$). This initiates power-on-reset (POR), OTP reading, and enables the system I/O interface. The I²C host should allow at least 1.2 ms before writing or reading data to the LP8732xx-Q1.
- The device enters standby mode.
- The host can change the default register setting by I²C if needed.
- The regulators can be enabled and disabled.
- The GPO signals can be controlled by the EN pin and the I²C interface.

Transitions between the operating modes are shown in [Section 7.4.1](#).

7.3.5 Regulator Control

7.3.5.1 Enabling and Disabling Regulators

The regulators can be enabled when the device is in STANDBY or ACTIVE state. There are two ways to enable and disable the buck regulators:

- Using the BUCKx_EN bit in the BUCKx_CTRL_1 register (the BUCKx_EN_PIN_CTRL bit is 0 in the BUCKx_CTRL_1 register).
- Using the EN control pin (the BUCKx_EN bit *and* the BUCKx_EN_PIN_CTRL bit is 1).

Similarly, there are two ways to enable and disable the LDO regulators:

- Using the LDOx_EN bit in the LDOx_CTRL register (the LDOx_EN_PIN_CTRL bit is 0 in the LDOx_CTRL register).
- Using the EN control pin (the LDOx_EN bit is 1 *and* the LDOx_EN_PIN_CTRL bit is 1).

If the EN control pin is used for enable and disable, then the following occurs:

- The delay from the control signal rising edge to start-up is set by the BUCKx_STARTUP_DELAY[3:0] bits in the BUCKx_DELAY register and the LDOx_STARTUP_DELAY[3:0] bits in the LDOx_DELAY register.
- The delay from the control signal falling edge to shutdown is set by the BUCKx_SHUTDOWN_DELAY[3:0] bits in the BUCKx_DELAY register and the LDOx_SHUTDOWN_DELAY[3:0] bits in the LDOx_DELAY register.

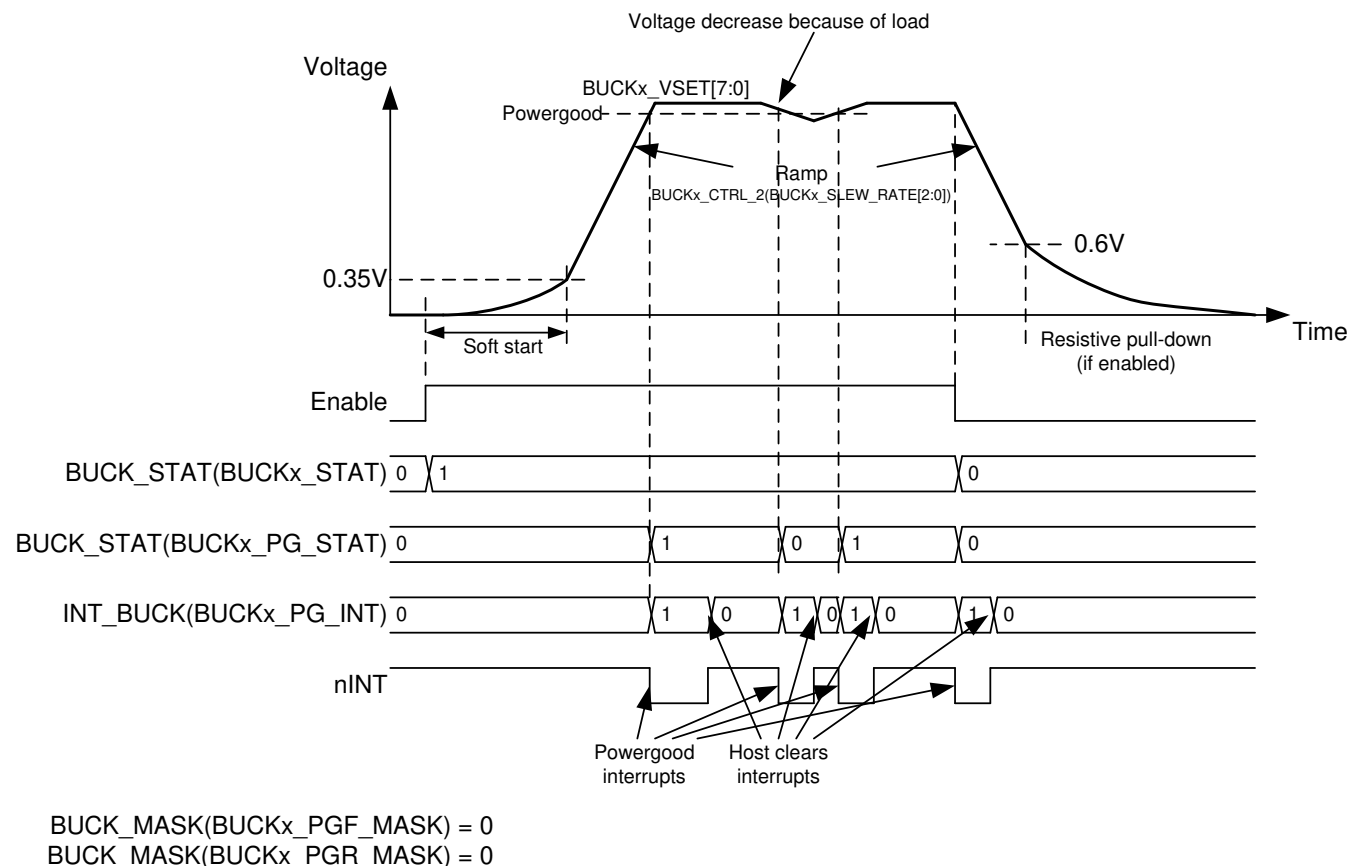
The delays are only valid for the EN signal transitions and not for control with I²C writings to the BUCKx_EN and the LDOx_EN bits.

The control of the regulator (with 0-ms delays) is shown in [Table 7-3](#). Dual-phase regulator is controlled with registers of the master phase.

Table 7-3. Regulator Control

| | BUCKx_EN AND LDOx_EN | BUCKx_EN_PIN_CTRL AND LDOx_EN_PIN_CTRL | EN PIN | BUCKx OUTPUT VOLTAGE AND LDOx OUTPUT VOLTAGE |
|--|----------------------|--|------------|--|
| Enable and disable control with the BUCKx_EN and the LDOx_EN bit | 0 | Don't Care | Don't Care | Disabled |
| | 1 | 0 | Don't Care | BUCKx_VSET[7:0] and LDOx_VSET[4:0] |
| Enable and disable control with the EN pin | 1 | 1 | Low | Disabled |
| | 1 | 1 | High | BUCKx_VSET[7:0] and LDOx_VSET[4:0] |

The buck regulator is enabled by the EN pin or by I²C writing, as shown in [Figure 7-6](#). The soft-start circuit limits the in-rush current during start-up. When the output voltage rises to a 0.35-V level, the output voltage becomes slew-rate controlled. If there is a short circuit at the output, and the output voltage does not increase above the 0.35-V level in 1 ms or the output voltage drops below 0.35-V level during operation (for minimum of 1 ms), then the regulator is disabled, and the BUCKx_SC_INT interrupt in the INT_BUCK register is set. When the output voltage reaches the the Power-Good threshold level, the BUCKx_PG_INT interrupt flag in the INT_BUCK register is set. The Power-Good interrupt flag, when reaching the valid output voltage, can be masked using the BUCKx_PGR_MASK bit in the BUCK_MASK register. The Power-Good interrupt flag can also be generated when the output voltage becomes invalid. The interrupt mask for invalid output voltage detection is set by the BUCKx_PGF_MASK bit in the BUCK_MASK register. A BUCKx_PG_STAT bit in the BUCK_STAT register always shows the validity of the output voltage; 1 means valid and 0 means invalid output voltage. A PGOOD_WINDOW_BUCK bit in the PGOOD_CTRL_1 register sets the detection method for the valid buck output voltage, either under-voltage detection, or under-voltage and over-voltage detection.


Figure 7-6. Buck Regulator Enable and Disable

The LDO regulator is enabled by the EN pin or by I²C writing, as shown in [Figure 7-7](#). The soft-start circuit limits the in-rush current during start-up. The output voltage increase rate is less than 100 mV/μsec during soft-start. If there is a short circuit at the output, and the output voltage does not increase above the 0.3-V level in 1 ms or the output voltage drops below 0.3-V level during operation (for minimum of 1 ms), then the regulator is disabled, and the LDOx_SC_INT interrupt in the INT_LDO register is set. When the output voltage reaches the Power-Good threshold level, the LDOx_PG_INT interrupt flag in the INT_LDO register is set. The Power-Good interrupt flag, when reaching valid output voltage, can be masked using the LDOx_PGR_MASK bit in the LDO_MASK register. The Power-Good interrupt flag can also be generated when the output voltage becomes invalid. The interrupt mask for invalid output voltage detection is set by the LDOx_PGF_MASK bit in the LDO_MASK register. A LDOx_PG_STAT bit in the LDO_STAT register always shows the validity of the output voltage; 1 means valid, and 0 means invalid output voltage. A PGOOD_WINDOW_LDO bit in the PGOOD_CTRL_1 register sets the detection method for the valid LDO output voltage, either undervoltage detection or undervoltage and overvoltage detection.

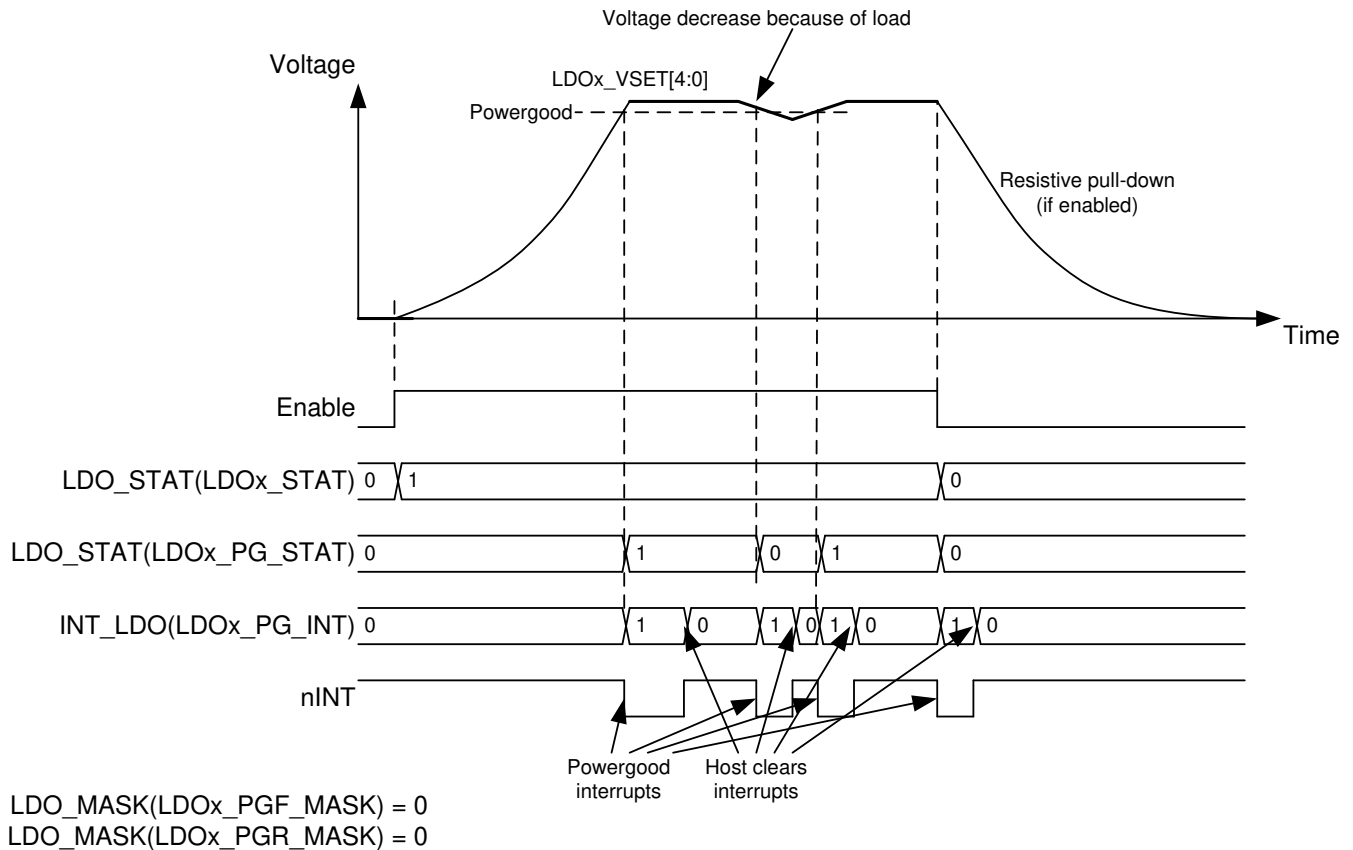


Figure 7-7. LDO Regulator Enable and Disable

The EN input pin has an integrated pulldown resistor. The pulldown resistor is controlled with the EN_PD bit in the CONFIG register.

7.3.5.2 Changing Output Voltage

The output voltage of the regulator can be changed by writing to the BUCKx_VOUT and LDOx_VOUT register. The voltage change for the buck regulator is always slew-rate controlled, and the slew-rate is defined by the BUCKx_SLEW_RATE[2:0] bits in the BUCKx_CTRL_2 register. During voltage change, the forced PWM mode is used automatically. If the dual-phase operation is forced by the BUCK0_FPWM_MP bit in the BUCK0_CTRL_1 register, the regulator operates in dual-phase mode. If the dual-phase operation is not forced, the number of phases are added and shedded automatically to follow the required slew rate. When the programmed output voltage is achieved, the mode becomes the one defined by the load current, the BUCKx_FPWM bit in the BUCKx_CTRL_1 register, and the BUCK0_FPWM_MP bit.

The voltage change and Power-Good interrupts are shown in [Figure 7-8](#).

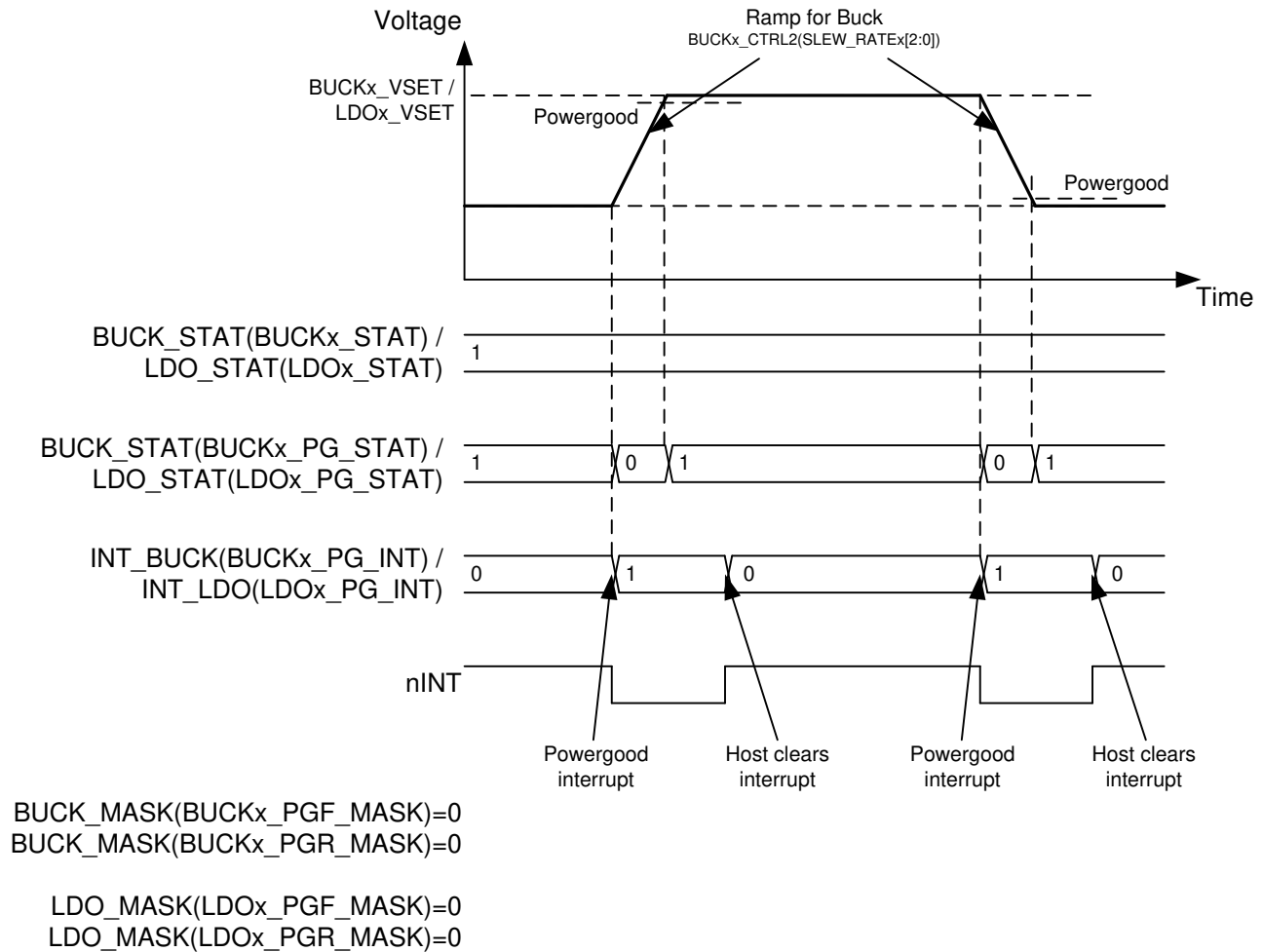


Figure 7-8. Regulator Output Voltage Change

During an LDO voltage change, the internal reference for the Power-Good detection is also changed. For this reason when the output voltage is changing, toggling of the Power-Good signal may still indicate a valid output. This period takes less than 100 μ s and after that time the Power-Good gives correct value.

7.3.6 Enable and Disable Sequences

The LP8732xx-Q1 device supports start-up and shutdown sequencing with programmable delays for different regulator outputs using a single EN control signal. The Buck regulator is selected for delayed control with:

- The BUCKx_EN = 1 in the BUCKx_CTRL_1 register
- The BUCKx_EN_PIN_CTRL = 1 in the BUCKx_CTRL_1 register
- The BUCKx_VSET[7:0] bits in the BUCKx_VOUT register defines the voltage when the EN pin is high
- The delay from the rising edge of the EN pin to the regulator enable is set by the BUCKx_STARTUP_DELAY[3:0] bits in the BUCKx_DELAY register.
- The delay from the falling edge of the EN pin to the regulator disable is set by the BUCKx_SHUTDOWN_DELAY[3:0] bits in the BUCKx_DELAY register.

In the same way, the LDO regulator is selected for delayed control with:

- The LDOx_EN = 1 in the LDOx_CTRL register
- The LDOx_EN_PIN_CTRL = 1 in the LDOx_CTRL register
- The LDOx_VSET[4:0] bits in the LDOx_VOUT register defines the voltage when the EN pin is high
- The delay from the rising edge of the EN pin to the regulator enable is set by the LDOx_STARTUP_DELAY[3:0] bits in the LDOx_DELAY register.
- The delay from the falling edge of the EN pin to the regulator disable is set by the LDOx_SHUTDOWN_DELAY[3:0] bits in the LDOx_DELAY register.

The GPO and GPO2 digital output signals can be also controlled as a part of start-up and shutdown sequencing with the following settings:

- GPOx_EN = 1 in GPO_CTRL register
- GPOx_EN_PIN_CTRL = 1 in GPO_CTRL register
- The delay from the rising edge of the EN pin to the rising edge of the GPO or GPO2 signal is set by the GPOx_STARTUP_DELAY[3:0] bits in the GPOx_DELAY register.
- The delay from the falling edge of the EN pin to the falling edge of the GPO or GPO2 signal is set by the GPOx_SHUTDOWN_DELAY[3:0] bits in the GPOx_DELAY register.

An example of the start-up and shutdown sequences for the buck regulators are shown in [Figure 7-9](#). The start-up and shutdown delays for the Buck0 regulator are 1 ms and 4 ms, and for the Buck1 regulator the start-up and shutdown delays are 3 ms and 1 ms. The delay settings are only used for enable or disable control with the EN signal.

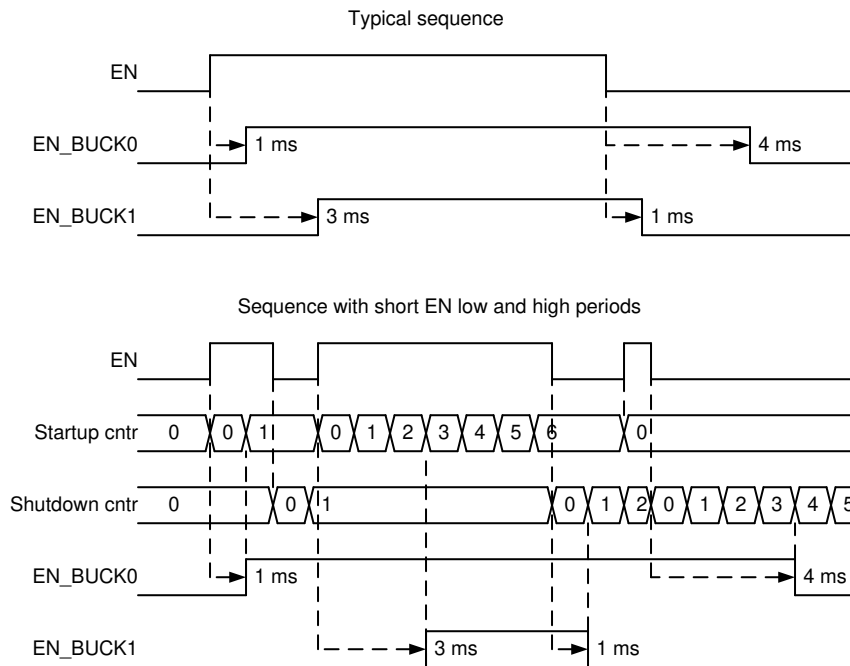


Figure 7-9. Start-Up and Shutdown Sequencing

7.3.7 Device Reset Scenarios

There are two reset methods implemented on the LP8732xx-Q1:

- Software reset with the SW_RESET bit in the RESET register.
- Undervoltage lockout (UVLO) reset from the VANA supply.

An software reset occurs when 1 is written to the SW_RESET bit. The bit is automatically cleared after writing. This event disables all the regulators immediately, drives the GPO or GPO2 signals low, resets all the register bits to the default values, and loads the OTP bits (see [Figure 7-15](#)). The I²C interface is not reset during a software reset.

If the VANA supply voltage falls below the UVLO threshold level, then all the regulators are disabled immediately, the GPO or GPO2 signals are driven low, and all the register bits are reset to the default values. When the VANA supply voltage transitions above the UVLO threshold level, an internal POR occurs. The OTP bits are loaded to the registers and a startup is initiated according to the register settings.

7.3.8 Diagnosis and Protection Features

The LP8732xx-Q1 is capable of providing four levels of protection features:

- Information of valid regulator output voltage, which sets the interrupt or PGOOD signal.
- Warnings for diagnosis, which sets the interrupt.
- Protection events, which are disabling the regulators.
- Faults, which are causing the device to shutdown.

The LP8732xx-Q1 sets the flag bits indicating what protection or warning conditions have occurred, and the nINT pin is pulled low. The nINT is released again after a clear of flags is complete. The nINT signal stays low until all the pending interrupts are cleared.

When a fault is detected or software requested reset, it is indicated by a RESET_REG_INT interrupt flag in the INT_TOP_2 register after next start-up. If the RESET_REG_MASK is set to masked in the OTP, then the interrupt is not generated. The mask bit change with I²C does not affect, because the RESET_REG_MASK bit is loaded from the OTP during reset sequence.

Table 7-4. Summary of Interrupt Signals

| EVENT | DEVICE RESPONSE | INTERRUPT BIT | INTERRUPT MASK BIT | STATUS BIT | RECOVERY AND INTERRUPT CLEAR |
|--|--|-----------------------------|--------------------|-----------------|--|
| Buck current limit triggered | No effect | BUCK_INT BUCKx_ILIM_INT | BUCKx_ILIM_MASK | BUCKx_ILIM_STAT | Write 1 to the BUCKx_ILIM_INT bit. Interrupt is not cleared if the current limit is active |
| LDO current limit triggered | No effect | LDO_INT LDOx_ILIM_INT | LDOx_ILIM_MASK | LDOx_ILIM_STAT | Write 1 to the LDOx_ILIM_INT bit Interrupt is not cleared if the current limit is active |
| Buck short circuit ($V_{VOUT} < 0.35$ V at 1 ms after enable) or overload (V_{VOUT} decreasing below 0.35 V during operation, 1-ms debounce) | Regulator disable | BUCK_INT BUCKx_SC_INT | N/A | N/A | Write 1 to the BUCKx_SC_INT bit |
| LDO short circuit ($V_{VOUT} < 0.3$ V at 1 ms after enable) or overload (V_{VOUT} decreasing below 0.3 V during operation, 1-ms debounce) | Regulator disable | LDO_INT LDOx_SC_INT | N/A | N/A | Write 1 to the LDOx_SC_INT bit |
| Thermal warning | No effect | TDIE_WARN_INT | TDIE_WARN_MASK | TDIE_WARN_STAT | Write 1 to the TDIE_WARN_INT bit Interrupt is not cleared if the temperature is above the thermal warning level |
| Thermal shutdown | All the regulators are disabled immediately, and the GPO and GPO2 are set to low | TDIE_SD_INT | N/A | TDIE_SD_STAT | Write 1 to the TDIE_SD_INT bit Interrupt is not cleared if the temperature is above the thermal shutdown level |
| VANA overvoltage ($VANA_{OVP}$) | All the regulators are disabled immediately, and the GPO and GPO2 are set to low | OVP_INT | N/A | OVP_STAT | Write 1 to the OVP_INT bit Interrupt is not cleared if the VANA voltage is above the $VANA_{OVP}$ level |
| Buck power good, output voltage becomes valid | No effect | BUCK_INT BUCKx_PG_INT | BUCKx_PGR_MASK | BUCKx_PG_STAT | Write 1 to the BUCKx_PG_INT bit |
| Buck power good, output voltage becomes invalid | No effect | BUCK_INT BUCKx_PG_INT | BUCKx_PGF_MASK | BUCKx_PG_STAT | Write 1 to the BUCKx_PG_INT bit |
| LDO Power good, output voltage becomes valid | No effect | LDO_INT LDOx_PG_INT | LDOx_PGR_MASK | LDOx_PG_STAT | Write 1 to the LDOx_PG_INT bit |
| LDO power good, output voltage becomes invalid | No effect | LDO_INT LDOx_PG_INT | LDOx_PGF_MASK | LDOx_PG_STAT | Write 1 to the LDOx_PG_INT bit |
| PGOOD pin changing from active to inactive state ⁽¹⁾ | No effect | PGOOD_INT | PGOOD_MASK | PGOOD_STAT | Write 1 to the PGOOD_INT bit |
| External clock appears or disappears | No effect to regulators | SYNC_CLK_INT ⁽²⁾ | SYNC_CLK_MASK | SYNC_CLK_STAT | Write 1 to the SYNC_CLK_INT bit |
| Load current measurement is ready | No effect | I_MEAS_INT | I_MEAS_MASK | N/A | Write 1 to the I_MEAS_INT bit |
| Supply voltage $VANA_{UVLO}$ triggered (VANA falling) | Immediate shutdown and the registers reset to default values | N/A | N/A | N/A | N/A |
| Supply voltage $VANA_{UVLO}$ triggered (VANA rising) | Startup and the registers reset to default values and the OTP bits are loaded | RESET_REG_INT | RESET_REG_MASK | N/A | Write 1 to the RESET_REG_INT bit |
| Software requested reset | Immediate shutdown is followed by power up and the registers are reset to their default values | RESET_REG_INT | RESET_REG_MASK | N/A | Write 1 to the RESET_REG_INT bit |

- (1) The PGOOD_STAT bit is 1 when the PGOOD pin shows valid voltages. The PGOOD_POL bit in the PGOOD_CTRL_1 register affects only the PGOOD pin polarity, not the Power Good and PGOOD_INT interrupt polarity.
- (2) If the clock is not available when the clock detector is enabled, then an interrupt is generated during the clock-detector operation.

7.3.8.1 Power-Good Information (PGOOD pin)

In addition to the interrupt-based indication of the current limit and the Power-Good level, the LP8732xx-Q1 device supports monitoring with PGOOD signal:

- Regulator output voltage
- Input supply overvoltage
- Thermal warning
- Thermal shutdown

The regulator output voltage monitoring (not current limit monitoring) can be selected for the PGOOD indication. This selection is individual for both buck regulators (only master buck in dual-phase configuration) and LDO regulators, and is set by the EN_PGOOD_BUCKx bits in the PGOOD_CTRL_1 register and the EN_PGOOD_LDOx bits in the PGOOD_CTRL_1 register. When a regulator is disabled, the monitoring is automatically masked to prevent it forcing the PGOOD inactive. A thermal warning can also be selected for the PGOOD indication with the EN_PGOOD_TWARN bit in the PGOOD_CTRL_2 register. The monitoring from all the output rails, thermal warning (TDIE_WARN_STAT), input overvoltage interrupt (OVP_INT), and thermal shutdown interrupt (TDIE_SD_INT) are combined, and the PGOOD pin is active only if all the selected sources shows a valid status.

The type of output voltage monitoring for the PGOOD signal is selected by the PGOOD_WINDOW_x bits in the PGOOD_CTRL_1 register. If the bit is 0, only undervoltage is monitored; if the bit is 1, both undervoltage and overvoltage are monitored.

The polarity and the output type (push-pull or open-drain) are selected by the PGOOD_POL and PGOOD_OD bits in the PGOOD_CTRL_1 register.

The PGOOD is only *active* and *asserted* when all enabled power resource output voltages are within specified tolerance for each requested and programmed output voltage.

The PGOOD is *inactive* and *de-asserted* if any enabled power resource output voltages is outside specified tolerance for each requested and programmed output voltage.

The device OTP setting selects either gated (or *unusual*) or continuous (or *invalid*) mode of operation.

7.3.8.1.1 PGOOD Pin Gated Mode

The gated (or *unusual*) mode of operation is selected by setting the PGOOD_MODE bit to 0 in the PGOOD_CTRL_2 register.

For the gated mode of operation, the PGOOD behaves as follows:

- PGOOD is set to *active* or *asserted* state upon exiting the OTP configuration as an initial default state.
- PGOOD status is suspended or unchanged during an 800- μ s gated time period, thereby *gating-off* the status indication.
- During normal power-up sequencing and requested voltage changes, the PGOOD state is not changed during an 800- μ s gated time period. It typically remains *active* or *asserted* for normal conditions.
- During an *abnormal* power-up sequencing and requested voltage changes, the PGOOD status could change to *inactive* or *de-asserted* after an 800- μ s gated time period if any output voltage is outside of regulation range.
- Using the *gated mode of operation* could allow the PGOOD signal to initiate an immediate power shutdown sequence if the PGOOD signal is wired-OR with signal connected to the EN input. This type of circuit configuration provides a smart PORz function for processor that eliminates the need for additional components to generate PORz upon start-up and to monitor voltage levels of key voltage domains.

Each detected fault sets the correcting fault bit in the PG_FAULT register to 1. The detected fault must be cleared to continue the PGOOD monitoring. The overvoltage and thermal shutdown are cleared by writing 1 to the OVP_INT and TDIE_SD_INT interrupt bits in the INT_TOP_1 register. The regulator fault is cleared by writing 1 to the corresponding register bit in the PG_FAULT register. The interrupts can also be cleared with the VANA UVLO by toggling the input supply. An example of the PGOOD pin operation in gated mode is shown in [Figure 7-10](#).

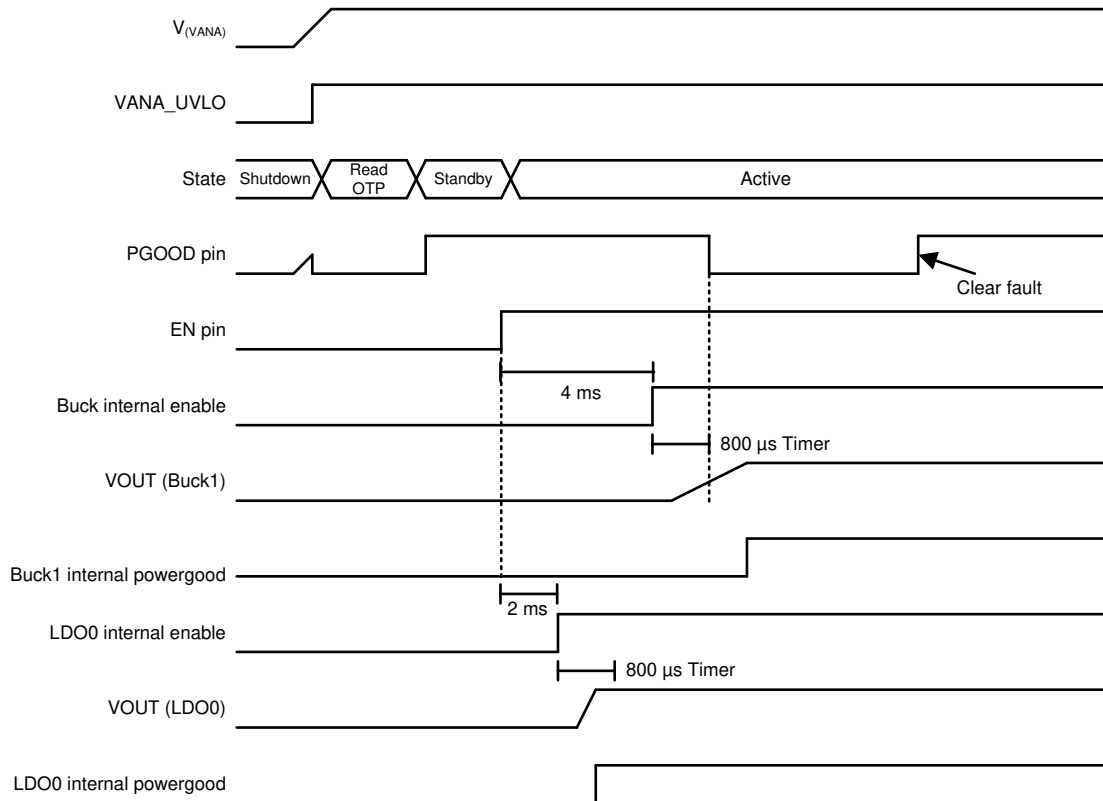


Figure 7-10. PGOOD Pin Operation in Gated Mode

7.3.8.1.2 PGOOD Pin Continuous Mode

The continuous (or *invalid*) mode of operation is selected by setting the PGOOD_MODE bit to 1 in the PGOOD_CTRL_2 register.

For the continuous mode of operation, PGOOD behaves as follows:

- PGOOD is set to *active* or *asserted* state upon exiting OTP configuration.
- PGOOD is set to *inactive* or *de-asserted* as soon as the regulator is enabled.
- PGOOD status begins indicating output voltage regulation status immediately and continuously.
- During power-up sequencing and requested voltage changes, PGOOD will toggle between *inactive* or *de-asserted* while output voltages are outside of regulation ranges and *active* or *asserted* when inside of regulation ranges.

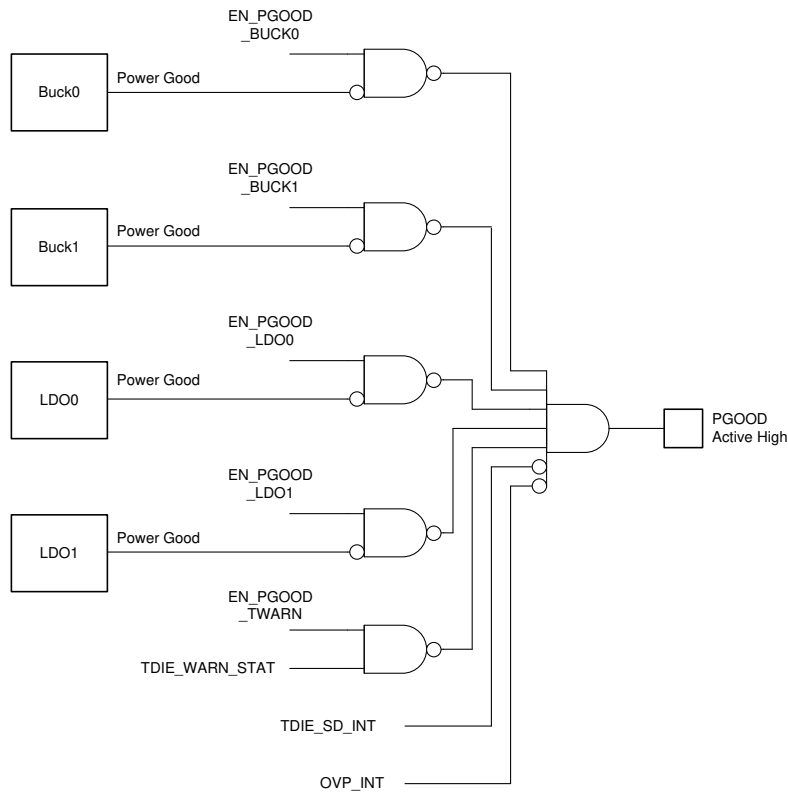
The PG_FAULT register bits are latched, and maintain the fault information until the host clears the fault bit by writing 1 to the bit. The PGOOD signal also indicates a thermal shutdown and input overvoltage interrupts, which are cleared by clearing the interrupt bits.

When the regulator voltage is transitioning from one target voltage to another, the PGOOD signal becomes inactive.

7.3.8.1.3 PGOOD Pin Inactive Mode

When the PGOOD signal becomes inactive, the source for the fault can be read from the PG_FAULT register. If the invalid output voltage becomes valid again, then the PGOOD signal becomes active. Thus the PGOOD signal always shows if the monitored output voltages are valid. The block diagram for this operation is shown in [Figure 7-11](#) and an example of operation is shown in [Figure 7-12](#).

The PGOOD signal can also be configured so that it maintains an inactive state even when the monitored outputs are valid, but there are PG_FAULT_x bits in the PG_FAULT register pending clearance. This type of operation is selected by setting the PGFAULT_GATES_PGOOD bit to 1 in the PGOOD_CTRL_2 register.



Copyright © 2016, Texas Instruments Incorporated

Figure 7-11. PGOOD Block Diagram (Continuous Mode)

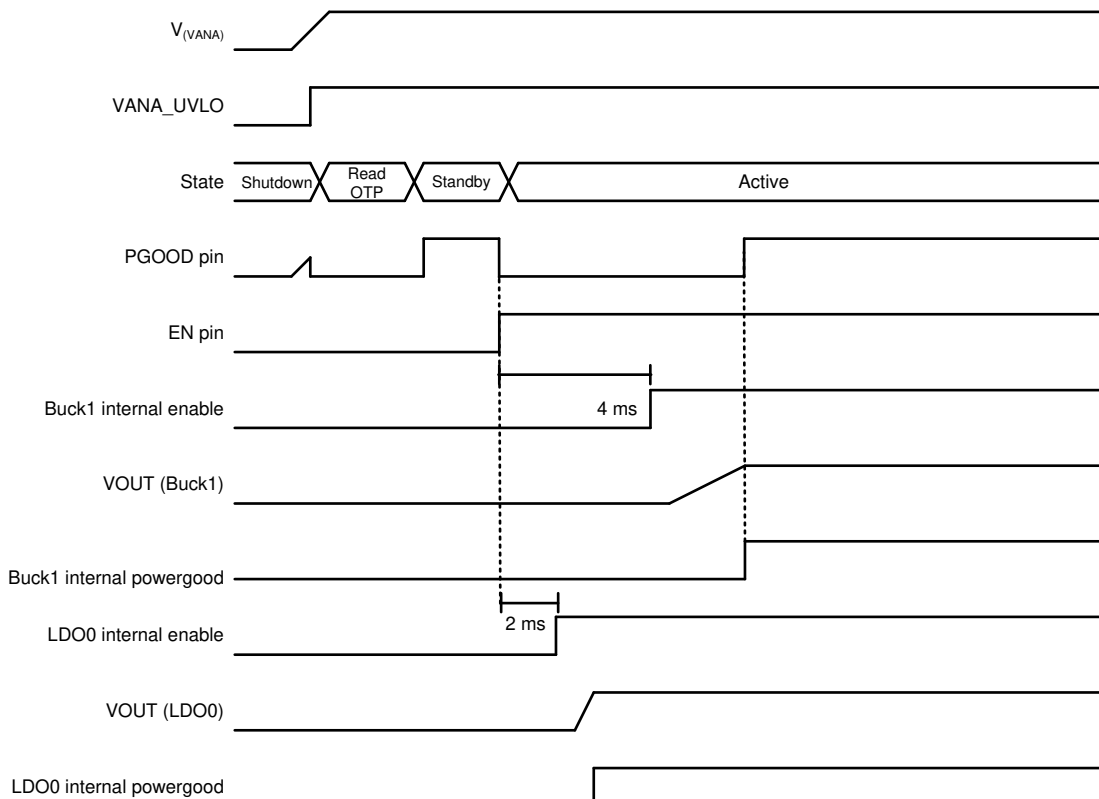


Figure 7-12. PGOOD Pin Operation in Continuous Mode

7.3.8.2 Warnings for Diagnosis (Interrupt)

7.3.8.2.1 Output Power Limit

The Buck regulators have programmable output peak current limits. The limits are individually programmed for both regulators with the BUCKx_ILIM[2:0] bits in the BUCKx_CTRL_2 register. The current limit settings of master and slave regulators used for the same output voltage rail must be identical. If the load current is increased so that the current limit is triggered, then the regulator continues to regulate at the limit current level (peak current regulation). The voltage may decrease if the load current is higher than the limit current. If the current regulation continues for 20 μ s, then the LP8732xx-Q1 device sets the BUCKx_ILIM_INT bit in the INT_BUCK register and pulls the nINT pin low. The host processor can read the BUCKx_ILIM_STAT bits in the BUCK_STAT register to see if the regulator is still in peak current regulation mode, and the interrupt is cleared by writing 1 to the BUCKx_ILIM_INT bit. The current limit interrupt can be masked by setting the BUCKx_ILIM_MASK bit in the BUCK_MASK register to 1. The Buck overload situation is shown in Figure 7-13.

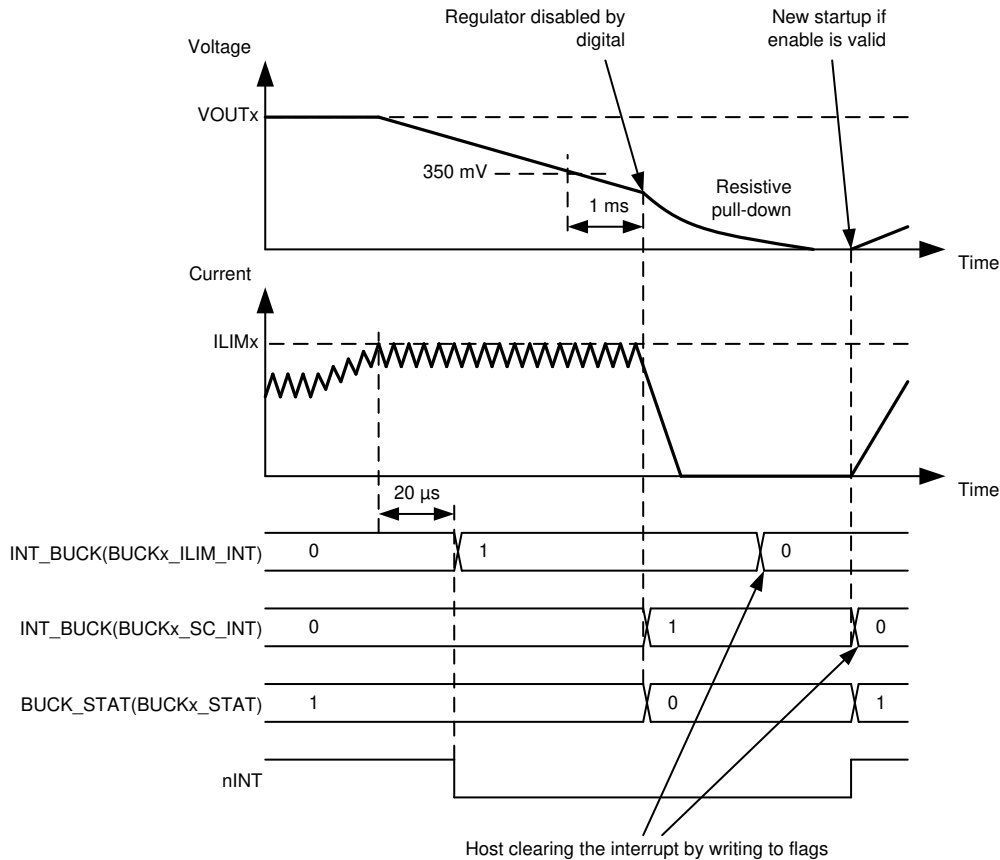


Figure 7-13. Buck Regulator Overload Situation

The LDO regulators also include current limit circuitry. If the load current is increased so that the current limit is triggered, the regulator limits the output current to the threshold level. The voltage may decrease if the load current is higher than the current limit. If the current regulation continues for 20 μ s, the LP8732xx-Q1 device sets the LDOx_ILIM_INT bit in the INT_LDO register and pulls the nINT pin low. The host processor can read the LDOx_ILIM_STAT bits in the LDO_STAT register to see if the regulator is still in current regulation mode and the interrupt is cleared by writing 1 to the LDOx_ILIM_INT bit. The current limit interrupt can be masked by setting the LDOx_ILIM_MASK bit in the LDO_MASK register to 1. The LDO overload situation is shown in Figure 7-14.

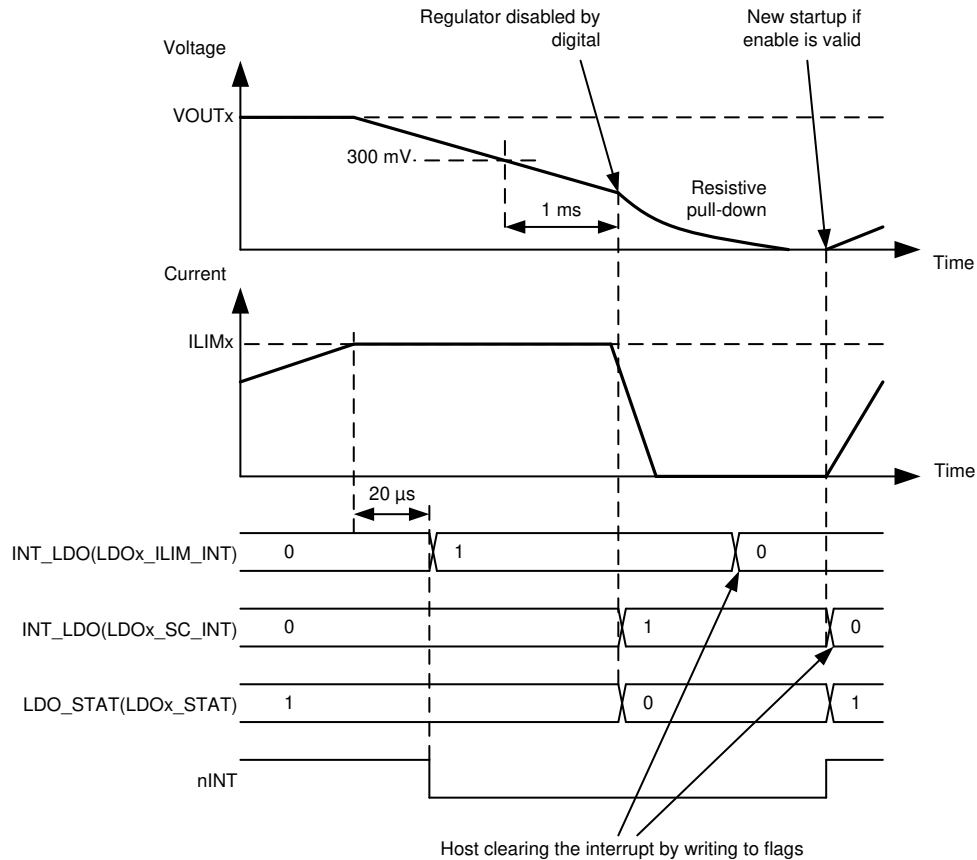


Figure 7-14. LDO Regulator Overload Situation

7.3.8.2.2 Thermal Warning

The LP8732xx-Q1 device includes a protection feature against overtemperature by setting an interrupt for the host processor. The threshold level of the thermal warning is selected with the TDIE_WARN_LEVEL bit in the CONFIG register.

If the LP8732xx-Q1 device temperature increases above the thermal warning level, then the device sets the TDIE_WARN_INT bit in the INT_TOP_1 register and pulls the nINT pin low. The status of the thermal warning can be read from the TDIE_WARN_STAT bit in the TOP_STAT register, and the interrupt is cleared by writing 1 to the TDIE_WARN_INT bit. The thermal warning interrupt can be masked by setting the TDIE_WARN_MASK bit in the TOP_MASK_1 register to 1.

7.3.8.3 Protection (Regulator Disable)

If the regulator is disabled, because of protection or fault (short-circuit protection, overload protection, thermal shutdown, input overvoltage protection, or UVLO), then the output power FETs are set to high-impedance mode and the output pulldown resistor is enabled (if enabled with the BUCKx_RDIS_EN bit in the BUCKx_CTRL_1 register and the LDOx_RDIS_EN bit in the LDOx_CTRL register). The turnoff time of the output voltage is defined by the output capacitance, load current, and resistance of the integrated pull-down resistor. The pull-down resistors are active as long as the VANA voltage is above approximately a 1.2-V level.

7.3.8.3.1 Short-Circuit and Overload Protection

A short-circuit protection feature allows the LP8732xx-Q1 to protect itself and the external components against a short circuit at the output or against overload during start-up. For the buck and LDO regulators, the fault thresholds are about 350 mV (buck) and 300 mV (LDO). The protection is triggered and the regulator is disabled if the output voltage is below the threshold level (1 ms) after the regulator is enabled.

In a similar way, the overload situation is protected during normal operation. If the output voltage falls below 0.35 V and 0.3 V and remains below the threshold level for 1 ms, then the regulator is disabled.

In Buck regulator short-circuit and overload situations, the BUCKx_SC_INT bit in the INT_BUCK register and the INT_BUCKx bit in the INT_TOP_1 register are set to 1, the BUCKx_STAT bit in BUCK_STAT register is set to 0, and the nINT signal is pulled low. In LDO regulator short-circuit and overload situations, the LDOx_SC_INT bit in the INT_LDO register and the INT_LDOx bit in the INT_TOP_1 register are set to 1, the LDOx_STAT bit in the LDO_STAT register is set to 0, and the nINT signal is pulled low. The host processor clears the interrupt by writing 1 to the BUCKx_SC_INT or to the LDOx_SC_INT bit. Upon clearing the interrupt, the regulator makes a new start-up attempt if the regulator is in an enabled state.

7.3.8.3.2 Overvoltage Protection

The LP8732xx-Q1 device monitors the input voltage from the VANA pin in standby and active operation modes. If the input voltage rises above the VANA_{OVP} voltage level, the following occurs:

- All regulators are disabled immediately (without switching ramp or shutdown delays).
- The pull-down resistors discharge the output voltages, if the pull-down resistors are enabled (the BUCKx_RDIS_EN = 1 in the BUCKx_CTRL_1 register and the LDOx_RDIS_EN = 1 in the LDOx_CTRL register).
- The GPOs are set to logic low level.
- The nINT signal is pulled low.
- The OVP_INT bit in the INT_TOP_1 register is set to 1.
- The BUCKx_STAT bit in the BUCK_STAT register and the LDOx_STAT bit in the LDO_STAT register are set to 0.

The host processor clears the interrupt by writing 1 to the OVP_INT bit. If the input voltage is above the overvoltage detection level, then the interrupt is not cleared. The host can read the status of the overvoltage from the OVP_STAT bit in the TOP_STAT register. The regulators cannot be enabled as long as the input voltage is above the overvoltage detection level or while the overvoltage interrupt is pending.

7.3.8.3.3 Thermal Shutdown

The LP8732xx-Q1 has an overtemperature protection function that operates to protect itself from short-term misuse and overload conditions. When the junction temperature exceeds around 150°C, the regulators are disabled immediately (without switching ramp and shutdown delays), the TDIE_SD_INT bit in the INT_TOP_1 register is set to 1, the nINT signal is pulled low, and the device enters STANDBY. The nINT is cleared by writing 1 to the TDIE_SD_INT bit. If the temperature is above thermal shutdown level, then the interrupt is not cleared. The host can read the status of the thermal shutdown from the TDIE_SD_STAT bit in the TOP_STAT register. The regulators cannot be enabled as long as the junction temperature is above the thermal shutdown level or while the thermal shutdown interrupt is pending.

7.3.8.4 Fault (Power Down)

7.3.8.4.1 Undervoltage Lockout

When the input voltage falls below the $V_{ANA_{UVLO}}$ at the VANA pin, the buck and LDO regulators are disabled immediately (without switching ramp and shutdown delays), the output capacitor is discharged using the pulldown resistor, and the LP8732xx-Q1 device enters SHUTDOWN. When the $V_{(VANA)}$ voltage is above the $V_{ANA_{UVLO}}$ threshold level, the device powers up to STANDBY state.

If the reset interrupt is unmasked by default (OTP bit for RESET_REG_MASK is 0 in TOP_MASK_2 register), then the RESET_REG_INT interrupt bit in the INT_TOP_2 register indicates that the device has been in SHUTDOWN. The host processor must clear the interrupt by writing 1 to the RESET_REG_INT bit. If the host processor reads the RESET_REG_INT interrupt bit after detecting an nINT low signal, then it detects that the input supply voltage has been below the $V_{ANA_{UVLO}}$ level (or the host has requested reset with the SW_RESET bit in the RESET register), and the registers are reset to default values.

7.3.9 Operation of the GPO Signals

The LP8732xx-Q1 device supports up to two general purpose output signals, GPO and GPO2. The GPO2 signal is multiplexed with the CLKIN signal. The selection between the CLKIN and GPO2 pin function is set with the CLKIN_PIN_SEL bit in the CONFIG register.

The GPO pins are configured with the following bits:

- The GPOx_OD bit in The GPO_CTRL register defines the type of the output, either push-pull with $V_{(VANA)}$ level or open drain.

The logic level of the GPOx pin is set by the EN_GPOx bit in the GPO_CTRL register.

The control of the GPOs can be included to start-up and shutdown sequences. The GPO control for a sequence with an EN pin is selected by the GPOx_EN_PIN_CTRL bit in the GPO_CTRL register. For start-up and shutdown sequence control, see [Section 7.3.6](#).

7.3.10 Digital Signal Filtering

The digital signals have a debounce filtering. The signal or supply is sampled with a clock signal and a counter. This results as an accuracy of one clock period for the debounce window.

Table 7-5. Digital Signal Filtering

| EVENT | SIGNAL/SUPPLY | RISING EDGE | FALLING EDGE |
|--|---|--|-----------------------------------|
| | | LENGTH | LENGTH |
| Enable/disable for BUCKx, LDOx or GPOx | EN | 3 μ s ⁽¹⁾ | 3 μ s ⁽¹⁾ |
| VANA UVLO | VANA | 3 μ s ⁽¹⁾ (VANA voltage rising) | Immediate (VANA voltage falling) |
| VANA overvoltage | VANA | 1 μ s (VANA voltage rising) | 20 μ s (VANA voltage falling) |
| Thermal warning | TDIE_WARN_INT | 20 μ s | 20 μ s |
| Thermal shutdown | TDIE_SD_INT | 20 μ s | 20 μ s |
| Current limit | VOUTx_ILIM | 20 μ s | 20 μ s |
| Overload | FB_B0, FB_B1, VOUT_LDO0, VOUT_LDO1 | 1 ms | N/V |
| PGOOD pin and power-good interrupt | PGOOD / FB_B0, FB_B1, VOUT_LDO0, VOUT_LDO1 | 6 μ s | 6 μ s |

(1) No glitch filtering, only synchronization.

7.4 Device Functional Modes

7.4.1 Modes of Operation

- SHUTDOWN:** The $V_{(VANA)}$ voltage is below $VANA_{UVLO}$ threshold level. All switch, reference, control, and bias circuitry of the LP8732xx-Q1 device are turned off.
- READ OTP:** The main supply voltage $V_{(VANA)}$ is above $VANA_{UVLO}$ level. The regulators are disabled, and the reference and bias circuitry of the LP8732xx-Q1 are enabled. The OTP bits are loaded to registers.
- STANDBY:** The main supply voltage $V_{(VANA)}$ is above $VANA_{UVLO}$ level. The regulators are disabled, and the reference, control, and bias circuitry of the LP8732xx-Q1 are enabled. All registers can be read or written by the host processor through the system serial interface. The regulators can be enabled if needed.
- ACTIVE:** The main supply voltage $V_{(VANA)}$ is above $VANA_{UVLO}$ level. At least one regulator is enabled. All registers can be read or written by the host processor through the system serial interface.

The operating modes and transitions between the modes are shown in [Figure 7-15](#).

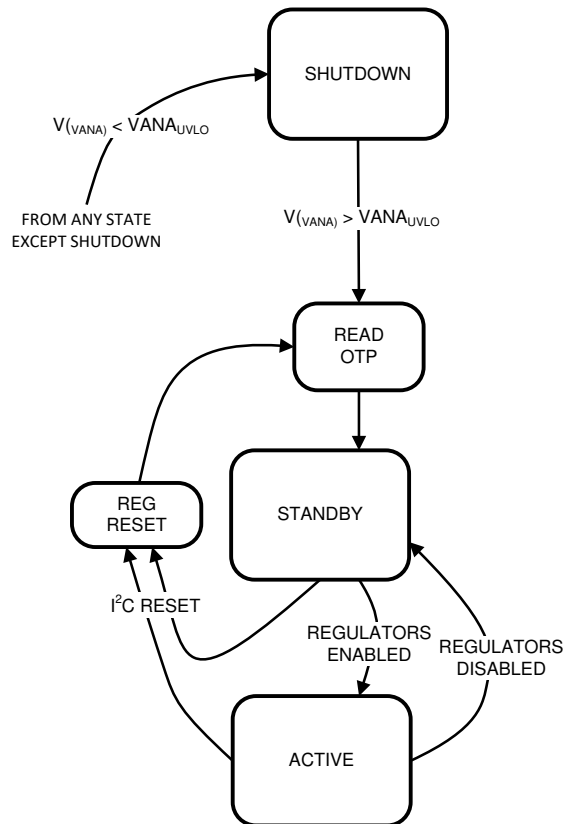


Figure 7-15. Device Operation Modes

7.5 Programming

7.5.1 I²C-Compatible Interface

The I²C-compatible synchronous serial interface provides access to the programmable functions and registers on the device. This protocol uses a two-wire interface for bidirectional communications between the ICs connected to the bus. The two interface lines are the serial data line (SDA), and the serial clock line (SCL). Every device on the bus is assigned a unique address, and acts as either a master or a slave depending on whether it generates or receives the serial clock SCL. The SCL and SDA lines must each have a pullup resistor placed on the line and remain HIGH even when the bus is idle. The LP8732xx-Q1 supports standard mode (100 kHz), fast mode (400 kHz), fast mode plus (1 MHz), and high-speed mode (3.4 MHz).

7.5.1.1 Data Validity

The data on the SDA line must be stable during the HIGH period of the clock signal (SCL). In other words, the state of the data line can only be changed when clock signal is LOW.

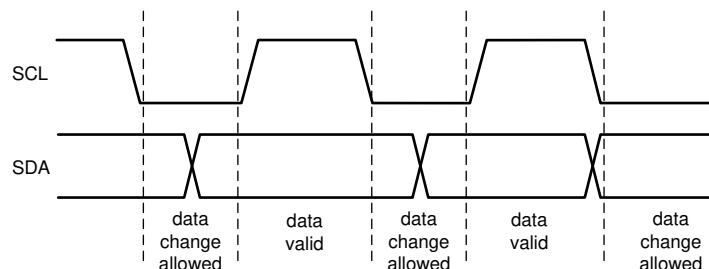


Figure 7-16. Data Validity Diagram

7.5.1.2 Start and Stop Conditions

The LP8732xx-Q1 is controlled through an I²C-compatible interface. START and STOP conditions classify the beginning and end of the I²C session. A START condition is defined as SDA transitions from HIGH to LOW while SCL is HIGH. A STOP condition is defined as an SDA transition from LOW to HIGH while SCL is HIGH. The I²C master always generates the START and STOP conditions.

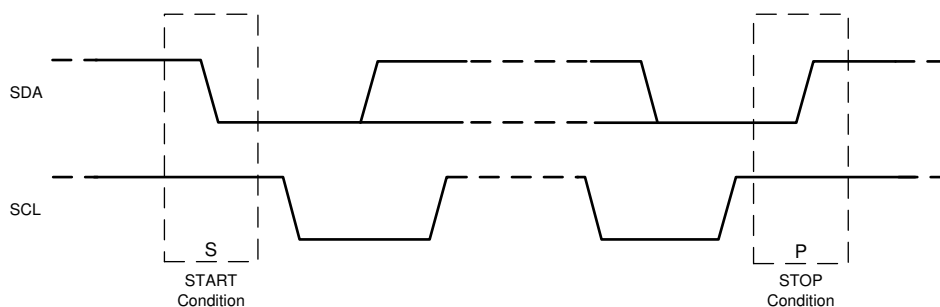


Figure 7-17. Start and Stop Sequences

The I²C bus is considered busy after a START condition and free after a STOP condition. During data transmission, the I²C master can generate repeated START conditions. A START and a repeated START condition are equivalent function-wise. The data on SDA must be stable during the HIGH period of the clock signal (SCL). In other words, the state of SDA can only be changed when SCL is LOW. [Figure 7-18](#) shows the SDA and SCL signal timing for the I²C-compatible bus. See [Section 6.6](#) for the timing values.

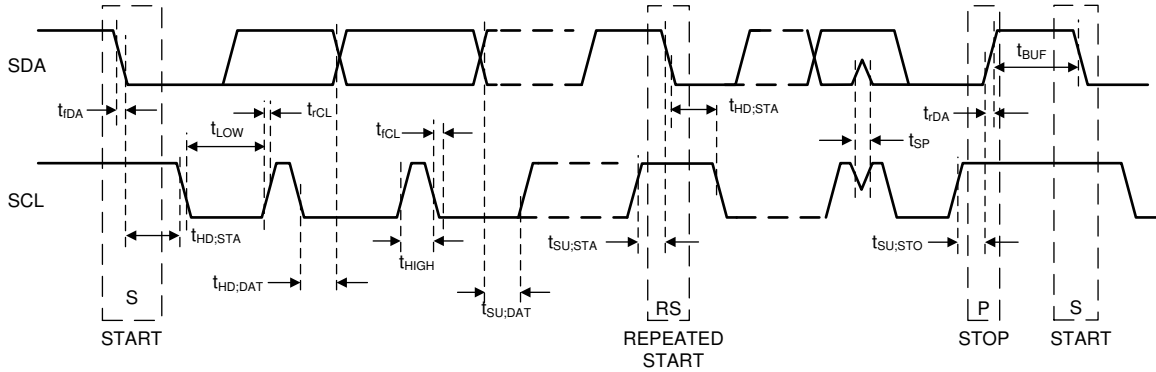


Figure 7-18. I²C-Compatible Timing

7.5.1.3 Transferring Data

Every byte put on the SDA line must be eight bits long, with the most significant bit (MSB) transferred first. Each byte of data has to be followed by an acknowledge bit. The acknowledge-related clock pulse is generated by the master. The master releases the SDA line (HIGH) during the acknowledge clock pulse. The LP8732xx-Q1 pulls down the SDA line during the 9th clock pulse, signifying an acknowledge. The LP8732xx-Q1 generates an acknowledge after each byte has been received.

There is one exception to the *acknowledge after every byte* rule. When the master is the receiver, it must indicate to the transmitter an end of data by not-acknowledging (*negative acknowledge*) the last byte clocked out of the slave. This *negative acknowledge* still includes the acknowledge clock pulse (generated by the master), but the SDA line is not pulled down.

Note

If the $V_{(VANA)}$ voltage is below the $VANA_{UVLO}$ threshold level during I²C communication, the LP8732xx-Q1 device does not drive SDA line. The ACK signal and data transfer to the master is disabled at that time.

After the START condition, the bus master sends a chip address. This address is seven bits long, followed by an eighth bit, which is a data direction bit (READ or WRITE). For the eighth bit, a 0 indicates a WRITE, and a 1 indicates a READ. The second byte selects the register to which the data will be written. The third byte contains data to write to the selected register.

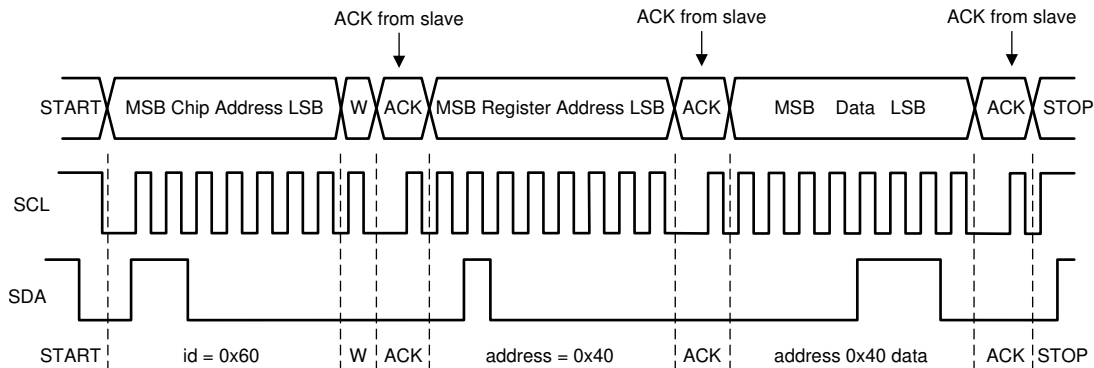
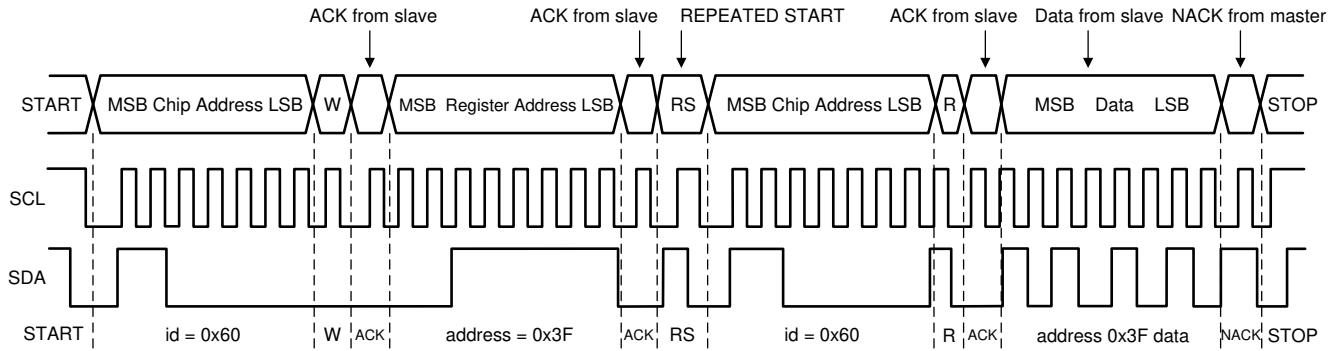


Figure 7-19. Write Cycle (w = write; SDA = 0). Example Device Address = 0x60

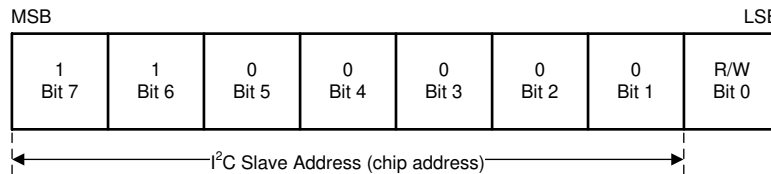


When READ function is to be accomplished, a WRITE function must precede the READ function as shown above.

Figure 7-20. Read Cycle (r = read; SDA = 1). Example Device Address = 0x60

7.5.1.4 I²C-Compatible Chip Address

After the START condition, the I²C master sends the 7-bit address followed by an eighth bit, read or write (R/W). R/W = 0 indicates a WRITE and R/W = 1 indicates a READ. The second byte following the device address selects the register address to which the data is written. The third byte contains the data for the selected register.



Here in an example with device address of 1100000Bin = 60Hex.

Figure 7-21. Device Address Example

7.5.1.5 Auto-Increment Feature

The auto-increment feature allows writing several consecutive registers within one transmission. Every time an 8-bit word is sent to the LP8732xx-Q1, the internal address index counter is incremented by one and the next register is written. Table 7-6 shows writing sequence to two consecutive registers. The auto-increment feature does not work for read.

Table 7-6. Auto-Increment Example

| MASTER ACTION | START | DEVICE ADDRESS = X | WRITE | | REGISTER ADDRESS | | DATA | | DATA | | STOP |
|---------------|-------|--------------------|-------|-----|------------------|-----|------|-----|------|-----|------|
| LP8732xx-Q1 | | | | ACK | | ACK | | ACK | | ACK | |

7.6 Register Maps

7.6.1 Register Descriptions

The LP8732xx-Q1 is controlled by a set of registers through the I²C-compatible interface. The device registers addresses and abbreviations are listed in [Table 7-7](#). A more detailed description is given in the [Section 7.6.1.1](#) to [Section 7.6.1.39](#) sections.

Note

This register map describes the default values for bits that are not read from OTP memory. The orderable code and the default register bit values are defined in part-number specific Technical Reference Manuals.

Table 7-7. Summary of LP8732xx-Q1 Control Registers

| Addr | Register | Read / Write | D7 | D6 | D5 | D4 | D3 | D2 | D1 | D0 | |
|------|--------------|--------------|---------------------------|-------------------|-----------------------|-------------------|--------------------------|------------------|------------------|----------------|--|
| 0x00 | DEV_REV | R | DEVICE_ID[1:0] | | Reserved - do not use | | | | | | |
| 0x01 | OTP_REV | R | OTP_ID[7:0] | | | | | | | | |
| 0x02 | BUCK0_CTRL_1 | R/W | Reserved - do not use | | | BUCK0_FP_WM_MP | BUCK0_FP_WM | BUCK0_RDIS_EN | BUCK0_EN_PIN_CTL | BUCK0_EN | |
| 0x03 | BUCK0_CTRL_2 | R/W | Reserved - do not use | | BUCK0_ILIM[2:0] | | BUCK0_SLEW_RATE[2:0] | | | | |
| 0x04 | BUCK1_CTRL_1 | R/W | Reserved - do not use | | | BUCK1_FP_WM | BUCK1_RDIS_EN | BUCK1_EN_PIN_CTL | BUCK1_EN | | |
| 0x05 | BUCK1_CTRL_2 | R/W | Reserved - do not use | | BUCK1_ILIM[2:0] | | BUCK1_SLEW_RATE[2:0] | | | | |
| 0x06 | BUCK0_VOUT | R/W | BUCK0_VSET[7:0] | | | | | | | | |
| 0x07 | BUCK1_VOUT | R/W | BUCK1_VSET[7:0] | | | | | | | | |
| 0x08 | LDO0_CTRL | R/W | Reserved - do not use | | | | | LDO0_RDIS_EN | LDO0_EN_PIN_CTL | LDO0_EN | |
| 0x09 | LDO1_CTRL | R/W | Reserved - do not use | | | | | LDO1_RDIS_EN | LDO1_EN_PIN_CTL | LDO1_EN | |
| 0x0A | LDO0_VOUT | R/W | Reserved - do not use | | | LDO0_VSET[4:0] | | | | | |
| 0x0B | LDO1_VOUT | R/W | Reserved - do not use | | | LDO1_VSET[4:0] | | | | | |
| 0x0C | BUCK0_DELAY | R/W | BUCK0_SHUTDOWN_DELAY[3:0] | | | | BUCK0_STARTUP_DELAY[3:0] | | | | |
| 0x0D | BUCK1_DELAY | R/W | BUCK1_SHUTDOWN_DELAY[3:0] | | | | BUCK1_STARTUP_DELAY[3:0] | | | | |
| 0x0E | LDO0_DELAY | R/W | LDO0_SHUTDOWN_DELAY[3:0] | | | | LDO0_STARTUP_DELAY[3:0] | | | | |
| 0x0F | LDO1_DELAY | R/W | LDO1_SHUTDOWN_DELAY[3:0] | | | | LDO1_STARTUP_DELAY[3:0] | | | | |
| 0x10 | GPO_DELAY | R/W | GPO_SHUTDOWN_DELAY[3:0] | | | | GPO_STARTUP_DELAY[3:0] | | | | |
| 0x11 | GPO2_DELAY | R/W | GPO2_SHUTDOWN_DELAY[3:0] | | | | GPO2_STARTUP_DELAY[3:0] | | | | |
| 0x12 | GPO_CTRL | R/W | Reserved - do not use | GPO2_OD | GPO2_EN_PIN_CTL | GPO2_EN | Reserved - do not use | GPO_OD | GPO_EN_PIN_CTL | GPO_EN | |
| 0x13 | CONFIG | R/W | Reserved - do not use | STARTUP_DELAY_SEL | SHUTDOWN_DELAY_SEL | CLKIN_PIN_SEL | CLKIN_PD | EN_PD | TDIE_WARN_LEVEL | EN_SPREAD_SPEC | |
| 0x14 | PLL_CTRL | R/W | Reserved - do not use | EN_PLL | Reserved - do not use | EXT_CLK_FREQ[4:0] | | | | | |

Table 7-7. Summary of LP8732xx-Q1 Control Registers (continued)

| Addr | Register | Read / Write | D7 | D6 | D5 | D4 | D3 | D2 | D1 | D0 |
|------|----------------|--------------|--------------------------|-----------------------|--------------------------|---------------------------|--------------------------|------------------------|-----------------------------|--------------------------------------|
| 0x15 | PGOOD_CTL_1 | R/W | PGOOD_PO L | PGOOD_OD | PGOOD_WI NDOW_LDO | PGOOD_WI NDOW_BUC K | EN_PGOOD _LDO1 | EN_PGOOD _LDO0 | EN_PGOOD _BUCK1 | EN_PGOOD _BUCK0 |
| 0x16 | PGOOD_CTL_2 | R/W | Reserved - do not use | | | | | EN_PGOOD _TWARN | PG_FAULT GATES_PG OOD | PGOOD_M ODE |
| 0x17 | PG_FAULT | R | Reserved - do not use | | | | PG_FAULT_ LDO1 | PG_FAULT_ LDO0 | PG_FAULT_ BUCK1 | PG_FAULT_ BUCK0 |
| 0x18 | RESET | R/W | Reserved - do not use | | | | | | | SW RESÉ |
| 0x19 | INT_TOP_1 | R/W | PGOOD_ INT | INT_ LDO | INT_ BUCK | SYNC_ CLK_INT | TDIE_SD_ INT | TDIE_ WARN_INT | OVP_INT | I_MEAS_ INT |
| 0x1A | INT_TOP_2 | R/W | Reserved - do not use | | | | | | | RESET_ REG_INT |
| 0x1B | INT_BUCK | R/W | Reserved - do not use | BUCK1_ PG_INT | BUCK1_ SC_INT | BUCK1_ ILIM_INT | Reserved - do not use | BUCK0_ PG_INT | BUCK0_ SC_INT | BUCK0_ ILIM_INT |
| 0x1C | INT_LDO | R/W | Reserved - do not use | LDO1_ PG_INT | LDO1_ SC_INT | LDO1_ ILIM_INT | Reserved - do not use | LDO0_ PG_INT | LDO0_ SC_INT | LDO0_ ILIM_INT |
| 0x1D | TOP_ STAT | R | PGOOD_ STAT | Reserved - do not use | | SYNC_CLK _STAT | TDIE_SD _STAT | TDIE_ WARN_ STAT | OVP_ STAT | Reserved - do not use |
| 0x1E | BUCK_STAT | R | BUCK1_ STAT | BUCK1_ PG_STAT | Reserved - do not use | BUCK1_ ILIM_STAT | BUCK0_ STAT | BUCK0_ PG_STAT | Reserved - do not use | BUCK0_ ILIM_STAT |
| 0x1F | LDO_STAT | R | LDO1_ STAT | LDO1_ PG_STAT | Reserved - do not use | LDO1_ ILIM_STAT | LDO0_ STAT | LDO0_ PG_STAT | Reserved - do not use | LDO0_ ILIM_STAT |
| 0x20 | TOP_ MASK_1 | R/W | PGOOD_ INT_MASK | Reserved - do not use | | SYNC_CLK _MASK | Reserved - do not use | TDIE_WARN _MASK | Reserved - do not use | I_MEAS_ MASK |
| 0x21 | TOP_ MASK_2 | R/W | Reserved - do not use | | | | | | | RESET_ REG_MASK |
| 0x22 | BUCK_MAS K | R/W | BUCK1_PG F_MASK | BUCK1_PG R_MASK | Reserved - do not use | BUCK1_ ILIM_ MASK | BUCK0_PG F_MASK | BUCK0_PG R_MASK | Reserved - do not use | BUCK0_ ILIM_ MASK |
| 0x23 | LDO_MASK | R/W | LDO1_PGF_ MASK | LDO1_PGR _MASK | Reserved - do not use | LDO1_ ILIM_ MASK | LDO0_PGF_ MASK | LDO0_PGR _MASK | Reserved - do not use | LDO0_ ILIM_ MASK |
| 0x24 | SEL_I_ LOAD | R/W | Reserved - do not use | | | | | | | LOAD_CUR RENT_ BUCK_SEL ECT |
| 0x25 | I_LOAD_2 | R | Reserved - do not use | | | | | | | BUCK_LOA D_CURREN T[8] |
| 0x26 | I_LOAD_1 | R | BUCK_LOAD_CURRENT[7:0] | | | | | | | |

7.6.1.1 DEV_REV

DEV_REV is shown in [Table 7-9](#), Address: 0x00

Table 7-8. DEV_REV Register

| D7 | D6 | D5 | D4 | D3 | D2 | D1 | D0 |
|----------------|----|----|-----------------------|----|----|----|----|
| DEVICE_ID[1:0] | | | Reserved - do not use | | | | |

Table 7-9. DEV_REV Register Field Descriptions

| Bits | Field | Type | Default | Description |
|------|-----------------------|------|---------|--------------------------|
| 7:6 | DEVICE_ID[1:0] | R | X | Device specific ID code. |
| 5:0 | Reserved - do not use | R | 00 0010 | |

7.6.1.2 OTP_REV

OTP_REV is shown in [Table 7-11](#), Address: 0x01

Table 7-10. OTP_REV Register

| D7 | D6 | D5 | D4 | D3 | D2 | D1 | D0 |
|-------------|----|----|----|----|----|----|----|
| OTP_ID[7:0] | | | | | | | |

Table 7-11. OTP_REV Register Field Descriptions

| Bits | Field | Type | Default | Description |
|------|-------------|------|---------|---|
| 7:0 | OTP_ID[7:0] | R | X | Identification Code of the OTP EPROM Version. |

7.6.1.3 BUCK0_CTRL_1

BUCK0_CTRL_1 is shown in [Table 7-13](#), Address: 0x02

Table 7-12. BUCK0_CTRL_1 Register

| D7 | D6 | D5 | D4 | D3 | D2 | D1 | D0 |
|-----------------------|----|----|---------------|------------|---------------|-------------------|----------|
| Reserved - do not use | | | BUCK0_FPWM_MP | BUCK0_FPWM | BUCK0_RDIS_EN | BUCK0_EN_PIN_CTRL | BUCK0_EN |

Table 7-13. BUCK0_CTRL_1 Register Field Descriptions

| Bits | Field | Type | Default | Description |
|------|-----------------------|------|---------|---|
| 7:5 | Reserved - do not use | R/W | 000 | |
| 4 | BUCK0_FPWM_MP | R/W | X | Forces the Buck0 regulator to always operate in the multi-phase and forced PWM operation mode: 0 - Automatic phase adding and shedding. 1 - Forced to multi-phase operation, 2 phases in the 2-phase configuration. |
| 3 | BUCK0_FPWM | R/W | X | Buck0 mode selection: 0 - Automatic transitions between the PFM and PWM modes (AUTO mode). 1 - Forced to the PWM operation. |
| 2 | BUCK0_RDIS_EN | R/W | 1 | Enable output discharge resistor (R _{DIS_Bx}) when the Buck0 is disabled: 0 - Discharge resistor disabled. 1 - Discharge resistor enabled. |
| 1 | BUCK0_EN_PIN_CTRL | R/W | X | Enable control for the Buck0: 0 - only the BUCK0_EN bit controls the Buck0. 1 - BUCK0_EN bit <i>and</i> the EN pin control the Buck0. |
| 0 | BUCK0_EN | R/W | X | Enable the Buck0 regulator: 0 - Buck0 regulator is disabled. 1 - Buck0 regulator is enabled. |

7.6.1.4 BUCK0_CTRL_2

BUCK0_CTRL_2 is shown in [Table 7-15](#), Address: 0x03

Table 7-14. BUCK0_CTRL_2 Register

| D7 | D6 | D5 | D4 | D3 | D2 | D1 | D0 |
|-----------------------|----|-----------------|----|----|----------------------|----|----|
| Reserved - do not use | | BUCK0_ILIM[2:0] | | | BUCK0_SLEW_RATE[2:0] | | |

Table 7-15. BUCK0_CTRL_2 Register Field Descriptions

| Bits | Field | Type | Default | Description |
|------|-----------------------|------|---------|---|
| 7:6 | Reserved - do not use | R/W | 00 | |
| 5:3 | BUCK0_ILIM[2:0] | R/W | X | Sets the switch current limit of Buck0. Can be programmed at any time during operation: 0x0 - 1.5 A 0x1 - 2.0 A 0x2 - 2.5 A 0x3 - 3.0 A 0x4 - Reserved - do not use. 0x5 - Reserved 0x6 - Reserved - do not use. 0x7 - Reserved - do not use. |
| 2:0 | BUCK0_SLEW_RATE[2:0] | R/W | X | Sets the output voltage slew rate for Buck0 regulator (rising and falling edges): 0x0 - Reserved - do not use. 0x1 - Reserved - do not use. 0x2 - 10 mV/μs 0x3 - 7.5 mV/μs 0x4 - 3.8 mV/μs 0x5 - 1.9 mV/μs 0x6 - 0.94 mV/μs 0x7 - 0.47 mV/μs |

7.6.1.5 BUCK1_CTRL_1

BUCK1_CTRL_1 is shown in [Table 7-17](#), Address: 0x04

Table 7-16. BUCK1_CTRL_1 Register

| D7 | D6 | D5 | D4 | D3 | D2 | D1 | D0 |
|-----------------------|----|----|------------|---------------|-------------------|----------|----|
| Reserved - do not use | | | BUCK1_FPWM | BUCK1_RDIS_EN | BUCK1_EN_PIN_CTRL | BUCK1_EN | |

Table 7-17. BUCK1_CTRL_1 Register Field Descriptions

| Bits | Field | Type | Default | Description |
|------|-----------------------|------|---------|---|
| 7:4 | Reserved - do not use | R/W | 0000 | |
| 3 | BUCK1_FPWM | R/W | X | Buck1 mode selection: 0 - Automatic transitions between the PFM and PWM modes (AUTO mode). 1 - Forced to PWM operation. |
| 2 | BUCK1_RDIS_EN | R/W | 1 | Enable output discharge resistor (R_{DIS_BX}) when the Buck1 is disabled: 0 - Discharge resistor is disabled. 1 - Discharge resistor is enabled. |
| 1 | BUCK1_EN_PIN_CTRL | R/W | X | Enable control for the Buck1: 0 - only the BUCK1_EN bit controls the Buck1 1 - BUCK1_EN bit <i>and</i> the EN pin control the Buck1. |
| 0 | BUCK1_EN | R/W | X | Enable the Buck1 regulator: 0 - Buck1 regulator is disabled. 1 - Buck1 regulator is enabled. |

7.6.1.6 BUCK1_CTRL_2

BUCK1_CTRL_2 is shown in [Table 7-19](#), Address: 0x05

Table 7-18. BUCK1_CTRL_2 Register

| D7 | D6 | D5 | D4 | D3 | D2 | D1 | D0 |
|-----------------------|----|-----------------|----|----|----------------------|----|----|
| Reserved - do not use | | BUCK1_ILIM[2:0] | | | BUCK1_SLEW_RATE[2:0] | | |

Table 7-19. BUCK1_CTRL_2 Register Field Descriptions

| Bits | Field | Type | Default | Description |
|------|-----------------------|------|---------|---|
| 7:6 | Reserved - do not use | R/W | 00 | |
| 5:3 | BUCK1_ILIM[2:0] | R/W | X | Sets the switch current limit of the Buck1. Can be programmed at any time during operation: 0x0 - 1.5 A 0x1 - 2.0 A 0x2 - 2.5 A 0x3 - 3.0 A 0x4 - Reserved - do not use. 0x5 - Reserved - do not use. 0x6 - Reserved - do not use. 0x7 - Reserved - do not use. |
| 2:0 | BUCK1_SLEW_RATE[2:0] | R/W | X | Sets the output voltage slew rate for the Buck1 regulator (rising and falling edges): 0x0 - Reserved - do not use. 0x1 - Reserved - do not use. 0x2 - 10 mV/μs 0x3 - 7.5 mV/μs 0x4 - 3.8 mV/μs 0x5 - 1.9 mV/μs 0x6 - 0.94 mV/μs 0x7 - 0.47 mV/μs |

7.6.1.7 BUCK0_VOUT

BUCK0_VOUT is shown in [Table 7-21](#), Address: 0x06

Table 7-20. BUCK0_VOUT Register

| D7 | D6 | D5 | D4 | D3 | D2 | D1 | D0 |
|-----------------|----|----|----|----|----|----|----|
| BUCK0_VSET[7:0] | | | | | | | |

Table 7-21. BUCK0_VOUT Register Field Descriptions

| Bits | Field | Type | Default | Description |
|------|-----------------|------|---------|--|
| 7:0 | BUCK0_VSET[7:0] | R/W | X | Sets the output voltage of the Buck0 regulator: <i>Reserved; do not use.</i> 0x00 ... 0x13 0.7 V - 0.73 V, 10 mV steps 0x14 - 0.7 V ... 0x17 - 0.73 V 0.73 V - 1.4 V, 5 mV steps 0x18 - 0.735 V ... 0x9D - 1.4 V 1.4 V - 3.36 V, 20 mV steps 0x9E - 1.42 V ... 0xFF - 3.36 V |

7.6.1.8 BUCK1_VOUT

BUCK1_VOUT is shown in [Table 7-23](#), Address: 0x07

Table 7-22. BUCK1_VOUT Register

| D7 | D6 | D5 | D4 | D3 | D2 | D1 | D0 |
|-----------------|----|----|----|----|----|----|----|
| BUCK1_VSET[7:0] | | | | | | | |

Table 7-23. BUCK1_VOUT Register Field Descriptions

| Bits | Field | Type | Default | Description |
|------|-----------------|------|---------|---|
| 7:0 | BUCK1_VSET[7:0] | R/W | X | Sets the output voltage of the Buck0 regulator: <i>Reserved; do not use.</i> 0x00 ... 0x13 0.7 V - 0.73 V, 10 mV steps 0x14 - 0.7V ... 0x17 - 0.73 V 0.73 V - 1.4 V, 5 mV steps 0x18 - 0.735 V ... 0x9D - 1.4 V 1.4 V - 3.36 V, 20 mV steps 0x9E - 1.42 V ... 0xFF - 3.36 V |

7.6.1.9 LDO0_CTRLLDO0_CTRL is shown in [Table 7-25](#), Address: 0x08**Table 7-24. LDO0_CTRL Register**

| D7 | D6 | D5 | D4 | D3 | D2 | D1 | D0 |
|-----------------------|----|----|----|----|--------------|------------------|---------|
| Reserved - do not use | | | | | LDO0_RDIS_EN | LDO0_EN_PIN_CTRL | LDO0_EN |

Table 7-25. LDO0_CTRL Register Field Descriptions

| Bits | Field | Type | Default | Description |
|------|-----------------------|------|---------|---|
| 7:3 | Reserved - do not use | R/W | 0 0000 | |
| 2 | LDO0_RDIS_EN | R/W | 1 | Enable output discharge resistor (R _{DIS_LDOx}) when the LDO0 is disabled: 0 - Discharge resistor is disabled. 1 - Discharge resistor is enabled. |
| 1 | LDO0_EN_PIN_CTRL | R/W | X | Enable control for the LDO0: 0 - only the LDO0_EN bit controls the LDO0. 1 - LDO0_EN bit <i>and</i> the EN pin control the LDO0. |
| 0 | LDO0_EN | R/W | X | Enable the LDO0 regulator: 0 - LDO0 regulator is disabled. 1 - LDO0 regulator is enabled. |

7.6.1.10 LDO1_CTRLLDO1_CTRL is shown in [Table 7-27](#), Address: 0x09**Table 7-26. LDO1_CTRL Register**

| D7 | D6 | D5 | D4 | D3 | D2 | D1 | D0 |
|-----------------------|----|----|----|----|--------------|------------------|---------|
| Reserved - do not use | | | | | LDO1_RDIS_EN | LDO1_EN_PIN_CTRL | LDO1_EN |

Table 7-27. LDO1_CTRL Register Field Descriptions

| Bits | Field | Type | Default | Description |
|------|-----------------------|------|---------|-------------|
| 7:3 | Reserved - do not use | R/W | 0 0000 | |

Table 7-27. LDO1_CTRL Register Field Descriptions (continued)

| Bits | Field | Type | Default | Description |
|------|------------------|------|---------|--|
| 2 | LDO1_RDIS_EN | R/W | 1 | Enable output discharge resistor (R_{DIS_LDOx}) when the LDO1 is disabled: 0 - Discharge resistor is disabled. 1 - Discharge resistor is enabled. |
| 1 | LDO1_EN_PIN_CTRL | R/W | X | Enable control for the LDO1: 0 - only the LDO1_EN bit controls the LDO1. 1 - LDO1_EN bit <i>and</i> the EN pin control the LDO1. |
| 0 | LDO1_EN | R/W | X | Enable the LDO1 regulator: 0 - LDO1 regulator is disabled. 1 - LDO1 regulator is enabled. |

7.6.1.11 LDO0_VOUT

LDO0_VOUT is shown in [Table 7-29](#), Address: 0x0A

Table 7-28. LDO0_VOUT Register

| D7 | D6 | D5 | D4 | D3 | D2 | D1 | D0 |
|-----------------------|----|----|----|----------------|----|----|----|
| Reserved - do not use | | | | LDO0_VSET[4:0] | | | |

Table 7-29. LDO0_VOUT Register Field Descriptions

| Bits | Field | Type | Default | Description |
|------|-----------------------|------|---------|---|
| 7:5 | Reserved - do not use | R/W | 000 | |
| 4:0 | LDO0_VSET[4:0] | R/W | X | Sets the output voltage of the LDO0 regulator: <i>0.8 V - 3.3 V, 100 mV steps</i> 0x00 - 0.8V ... 0x19 - 3.3 V <i>Reserved; do not use.</i> 0x1A ... 0x1F |

7.6.1.12 LDO1_VOUT

LDO1_VOUT is shown in [Table 7-31](#), Address: 0x0B

Table 7-30. LDO1_VOUT Register

| D7 | D6 | D5 | D4 | D3 | D2 | D1 | D0 |
|-----------------------|----|----|----|----------------|----|----|----|
| Reserved - do not use | | | | LDO1_VSET[4:0] | | | |

Table 7-31. LDO1_VOUT Register Field Descriptions

| Bits | Field | Type | Default | Description |
|------|-----------------------|------|---------|---|
| 7:5 | Reserved - do not use | R/W | 000 | |
| 4:0 | LDO1_VSET[4:0] | R/W | X | Sets the output voltage of the LDO1 regulator: <i>0.8 V - 3.3 V, 100 mV steps</i> 0x00 - 0.8V ... 0x19 - 3.3 V <i>Reserved; do not use.</i> 0x1A ... 0x1F |

7.6.1.13 BUCK0_DELAY

BUCK0_DELAY is shown in [Table 7-33](#), Address: 0x0C

Table 7-32. BUCK0_DELAY Register

| D7 | D6 | D5 | D4 | D3 | D2 | D1 | D0 |
|----|----|----|----|----|----|----|----|
|----|----|----|----|----|----|----|----|

| | |
|---------------------------|--------------------------|
| BUCK0_SHUTDOWN_DELAY[3:0] | BUCK0_STARTUP_DELAY[3:0] |
|---------------------------|--------------------------|

Table 7-33. BUCK0_DELAY Register Field Descriptions

| Bits | Field | Type | Default | Description |
|------|---------------------------|------|---------|--|
| 7:4 | BUCK0_SHUTDOWN_DELAY[3:0] | R/W | X | Shutdown delay of the Buck0 from the EN signal's falling edge: 0x0 - 0 ms 0x1 - 0.5 ms (1 ms if SHUTDOWN_DELAY_SEL=1 in the CONFIG register.) ... 0xF - 7.5 ms (15 ms if SHUTDOWN_DELAY_SEL=1 in the CONFIG register.) |
| 3:0 | BUCK0_STARTUP_DELAY[3:0] | R/W | X | Startup delay of the Buck0 from the EN signal's rising edge: 0x0 - 0 ms 0x1 - 0.5 ms (1 ms if STARTUP_DELAY_SEL=1 in the CONFIG register.) ... 0xF - 7.5 ms (15 ms if STARTUP_DELAY_SEL=1 in the CONFIG register.) |

7.6.1.14 BUCK1_DELAY

 BUCK1_DELAY is shown in [Table 7-35](#), Address: 0x0D

Table 7-34. BUCK1_DELAY Register

| | | | | | | | |
|---------------------------|----|----|----|--------------------------|----|----|----|
| D7 | D6 | D5 | D4 | D3 | D2 | D1 | D0 |
| BUCK1_SHUTDOWN_DELAY[3:0] | | | | BUCK1_STARTUP_DELAY[3:0] | | | |

Table 7-35. BUCK1_DELAY Register Field Descriptions

| Bits | Field | Type | Default | Description |
|------|---------------------------|------|---------|--|
| 7:4 | BUCK1_SHUTDOWN_DELAY[3:0] | R/W | X | Shutdown delay of the Buck1 from the EN signal's falling edge: 0x0 - 0 ms 0x1 - 0.5 ms (1 ms if SHUTDOWN_DELAY_SEL=1 in the CONFIG register.) ... 0xF - 7.5 ms (15 ms if SHUTDOWN_DELAY_SEL=1 in the CONFIG register.) |
| 3:0 | BUCK1_STARTUP_DELAY[3:0] | R/W | X | Startup delay of the Buck1 from the EN signal's rising edge: 0x0 - 0 ms 0x1 - 0.5 ms (1 ms if STARTUP_DELAY_SEL=1 in the CONFIG register.) ... 0xF - 7.5 ms (15 ms if STARTUP_DELAY_SEL=1 in the CONFIG register.) |

7.6.1.15 LDO0_DELAY

 LDO0_DELAY is shown in [Table 7-37](#), Address: 0x0E

Table 7-36. LDO0_DELAY Register

| | | | | | | | |
|--------------------------|----|----|----|-------------------------|----|----|----|
| D7 | D6 | D5 | D4 | D3 | D2 | D1 | D0 |
| LDO0_SHUTDOWN_DELAY[3:0] | | | | LDO0_STARTUP_DELAY[3:0] | | | |

Table 7-37. LDO0_DELAY Register Field Descriptions

| Bits | Field | Type | Default | Description |
|------|--------------------------|------|---------|---|
| 7:4 | LDO0_SHUTDOWN_DELAY[3:0] | R/W | X | Shutdown delay of the LDO0 from the EN signal's falling edge: 0x0 - 0 ms 0x1 - 0.5 ms (1 ms if SHUTDOWN_DELAY_SEL=1 in the CONFIG register.) ... 0xF - 7.5 ms (15 ms if SHUTDOWN_DELAY_SEL=1 in the CONFIG register.) |
| 3:0 | LDO0_STARTUP_DELAY[3:0] | R/W | X | Startup delay of the LDO0 from the EN signal's rising edge: 0x0 - 0 ms 0x1 - 0.5 ms (1 ms if STARTUP_DELAY_SEL=1 in the CONFIG register.) ... 0xF - 7.5 ms (15 ms if STARTUP_DELAY_SEL=1 in the CONFIG register.) |

7.6.1.16 LDO1_DELAY

LDO1_DELAY is shown in [Table 7-39](#), Address: 0x0F

Table 7-38. LDO1_DELAY Register

| D7 | D6 | D5 | D4 | D3 | D2 | D1 | D0 |
|--------------------------|----|----|----|-------------------------|----|----|----|
| LDO1_SHUTDOWN_DELAY[3:0] | | | | LDO1_STARTUP_DELAY[3:0] | | | |

Table 7-39. LDO1_DELAY Register Field Descriptions

| Bits | Field | Type | Default | Description |
|------|--------------------------|------|---------|---|
| 7:4 | LDO1_SHUTDOWN_DELAY[3:0] | R/W | X | Shutdown delay of the LDO1 from the EN signal's falling edge: 0x0 - 0 ms 0x1 - 0.5 ms (1 ms if SHUTDOWN_DELAY_SEL=1 in the CONFIG register.) ... 0xF - 7.5 ms (15 ms if SHUTDOWN_DELAY_SEL=1 in the CONFIG register.) |
| 3:0 | LDO1_STARTUP_DELAY[3:0] | R/W | X | Startup delay of the LDO1 from the EN signal's rising edge: 0x0 - 0 ms 0x1 - 0.5 ms (1 ms if STARTUP_DELAY_SEL=1 in the CONFIG register.) ... 0xF - 7.5 ms (15 ms if STARTUP_DELAY_SEL=1 in the CONFIG register.) |

7.6.1.17 GPO_DELAY

GPO_DELAY is shown in [Table 7-41](#), Address: 0x10

Table 7-40. GPO_DELAY Register

| D7 | D6 | D5 | D4 | D3 | D2 | D1 | D0 |
|-------------------------|----|----|----|------------------------|----|----|----|
| GPO_SHUTDOWN_DELAY[3:0] | | | | GPO_STARTUP_DELAY[3:0] | | | |

Table 7-41. GPO_DELAY Register Field Descriptions

| Bits | Field | Type | Default | Description |
|------|-------------------------|------|---------|---|
| 7:4 | GPO_SHUTDOWN_DELAY[3:0] | R/W | X | Delay for the GPO falling edge from the EN signal's falling edge: 0x0 - 0 ms 0x1 - 0.5 ms (1 ms if SHUTDOWN_DELAY_SEL=1 in the CONFIG register) ... 0xF - 7.5 ms (15 ms if SHUTDOWN_DELAY_SEL=1 in the CONFIG register) |
| 3:0 | GPO_STARTUP_DELAY[3:0] | R/W | X | Delay for the GPO rising edge from the EN signal's rising edge: 0x0 - 0 ms 0x1 - 0.5 ms (1 ms if STARTUP_DELAY_SEL=1 in the CONFIG register.) ... 0xF - 7.5 ms (15 ms if STARTUP_DELAY_SEL=1 in the CONFIG register.) |

7.6.1.18 GPO2_DELAY

GPO2_DELAY is shown in [Table 7-43](#), Address: 0x11

Table 7-42. GPO2_DELAY Register

| D7 | D6 | D5 | D4 | D3 | D2 | D1 | D0 |
|--------------------------|----|----|----|-------------------------|----|----|----|
| GPO2_SHUTDOWN_DELAY[3:0] | | | | GPO2_STARTUP_DELAY[3:0] | | | |

Table 7-43. GPO2_DELAY Register Field Descriptions

| Bits | Field | Type | Default | Description |
|------|--------------------------|------|---------|--|
| 7:4 | GPO2_SHUTDOWN_DELAY[3:0] | R/W | X | Delay for the GPO2 falling edge from the EN signal's falling edge: 0x0 - 0 ms 0x1 - 0.5 ms (1 ms if SHUTDOWN_DELAY_SEL=1 in the CONFIG register.) ... 0xF - 7.5 ms (15 ms if SHUTDOWN_DELAY_SEL=1 in the CONFIG register.) |

Table 7-43. GPO2_DELAY Register Field Descriptions (continued)

| Bits | Field | Type | Default | Description |
|------|-------------------------|------|---------|--|
| 3:0 | GPO2_STARTUP_DELAY[3:0] | R/W | X | Delay for the GPO2 rising edge from the EN signal's rising edge: 0x0 - 0 ms 0x1 - 0.5 ms (1 ms if STARTUP_DELAY_SEL=1 in the CONFIG register.) ... 0xF - 7.5 ms (15 ms if STARTUP_DELAY_SEL=1 in the CONFIG register.) |

7.6.1.19 GPO_CTRL

GPO_CTRL is shown in [Table 7-45](#), Address: 0x12

Table 7-44. GPO_CTRL Register

| D7 | D6 | D5 | D4 | D3 | D2 | D1 | D0 |
|-----------------------|---------|------------------|---------|-----------------------|--------|-----------------|--------|
| Reserved - do not use | GPO2_OD | GPO2_EN_PIN_CTRL | GPO2_EN | Reserved - do not use | GPO_OD | GPO_EN_PIN_CTRL | GPO_EN |

Table 7-45. GPO_CTRL Register Field Descriptions

| Bits | Field | Type | Default | Description |
|------|-----------------------|------|---------|---|
| 7 | Reserved - do not use | R | 0 | |
| 6 | GPO2_OD | R/W | X | GPO2 signal type when configured as the General Purpose Output (CLKIN pin): 0 - Push-pull output (VANA level) 1 - Open-drain output |
| 5 | GPO2_EN_PIN_CTRL | R/W | X | Control for the GPO2: 0 - Only the GPO2_EN bit controls the GPO2 1 - GPO2_EN bit <i>and</i> the EN pin control the GPO2. |
| 4 | GPO2_EN | R/W | X | Output level of the GPO2 signal (when configured as the General Purpose Output): 0 - Logic low level 1 - Logic high level |
| 3 | Reserved - do not use | R | 0 | |
| 2 | GPO_OD | R/W | X | GPO signal type: 0 - Push-pull output (VANA level) 1 - Open-drain output |
| 1 | GPO_EN_PIN_CTRL | R/W | X | Control for the GPO: 0 - Only the GPO_EN bit controls the GPO 1 - GPO_EN bit <i>and</i> the EN pin control the GPO. |
| 0 | GPO_EN | R/W | X | Output level of the GPO signal: 0 - Logic low level 1 - Logic high level |

7.6.1.20 CONFIG

CONFIG is shown in [Table 7-47](#), Address: 0x13

Table 7-46. CONFIG Register

| D7 | D6 | D5 | D4 | D3 | D2 | D1 | D0 |
|-----------------------|-------------------|--------------------|---------------|----------|--------|-----------------|----------------|
| Reserved - do not use | STARTUP_DELAY_SEL | SHUTDOWN_DELAY_SEL | CLKIN_PIN_SEL | CLKIN_PD | EN2_PD | TDIE_WARN_LEVEL | EN_SPREAD_SPEC |

Table 7-47. CONFIG Register Field Descriptions

| Bits | Field | Type | Default | Description |
|------|-----------------------|------|---------|---|
| 7 | Reserved - do not use | R/W | 0 | |
| 6 | STARTUP_DELAY_SEL | R/W | X | Startup delay range from the EN signals: 0 - 0 ms - 7.5 ms with 0.5 ms steps 1 - 0 ms - 15 ms with 1 ms steps |

Table 7-47. CONFIG Register Field Descriptions (continued)

| Bits | Field | Type | Default | Description |
|------|--------------------|------|---------|--|
| 5 | SHUTDOWN_DELAY_SEL | R/W | X | Shutdown delay range from the EN signals: 0 - 0 ms - 7.5 ms with 0.5 ms steps 1 - 0 ms - 15 ms with 1 ms steps |
| 4 | CLKIN_PIN_SEL | R/W | X | CLKIN pin function: 0 - GPO2 1 - CLKIN |
| 3 | CLKIN_PD | R/W | X | Selects the pull down resistor on the CLKIN input pin (valid also when selected as GPO2): 0 - Pull-down resistor is disabled. 1 - Pull-down resistor is enabled. |
| 2 | EN_PD | R/W | X | Selects the pull down resistor on the EN input pin. 0 - Pull-down resistor is disabled. 1 - Pull-down resistor is enabled. |
| 1 | TDIE_WARN_LEVEL | R/W | X | Thermal warning threshold level: 0 - 125°C 1 - 137°C |
| 0 | EN_SPREAD_SPEC | R/W | X | Enable spread spectrum feature: 0 - Disabled 1 - Enabled |

7.6.1.21 PLL_CTRL

PLL_CTRL is shown in [Table 7-49](#), Address: 0x14

Table 7-48. PLL_CTRL Register

| D7 | D6 | D5 | D4 | D3 | D2 | D1 | D0 |
|-----------------------|--------|-----------------------|-------------------|----|----|----|----|
| Reserved - do not use | EN_PLL | Reserved - do not use | EXT_CLK_FREQ[4:0] | | | | |

Table 7-49. PLL_CTRL Register Field Descriptions

| Bits | Field | Type | Default | Description |
|------|-----------------------|------|---------|--|
| 7 | Reserved - do not use | R/W | 0 | |
| 6 | EN_PLL | R/W | X | Selection of the external clock and PLL operation: 0 - Forced to the internal RC oscillator. The PLL is disabled. 1 - PLL is enabled in the STANDBY and ACTIVE modes. Automatic external clock use when available, and interrupt is generated if the external clock appears or disappears. |
| 5 | Reserved - do not use | R/W | 0 | <i>This bit must be set to "0."</i> |
| 4:0 | EXT_CLK_FREQ[4:0] | R/W | X | Frequency of the external clock (CLKIN): 0x00 - 1 MHz 0x01 - 2 MHz 0x02 - 3 MHz ... 0x16 - 23 MHz 0x17 - 24 MHz 0x18...0x1F - Reserved - do not use See electrical specification for the input clock frequency tolerance. |

7.6.1.22 PGOOD_CTRL_1

PGOOD_CTRL_1 is shown in [Table 7-51](#), Address: 0x15

Table 7-50. PGOOD_CTRL_1 Register

| D7 | D6 | D5 | D4 | D3 | D2 | D1 | D0 |
|----|----|----|----|----|----|----|----|
|----|----|----|----|----|----|----|----|

| | | | | | | | |
|-----------|----------|------------------|-------------------|---------------|---------------|----------------|----------------|
| PGOOD_POL | PGOOD_OD | PGOOD_WINDOW_LDO | PGOOD_WINDOW_BUCK | EN_PGOOD_LDO1 | EN_PGOOD_LDO0 | EN_PGOOD_BUCK1 | EN_PGOOD_BUCK0 |
|-----------|----------|------------------|-------------------|---------------|---------------|----------------|----------------|

Table 7-51. PGOOD_CTRL_1 Register Field Descriptions

| Bits | Field | Type | Default | Description |
|------|-------------------|------|---------|---|
| 7 | PGOOD_POL | R/W | X | PGOOD signal polarity: 0 - PGOOD signal high when the monitored outputs are valid. 1 - PGOOD signal low when the monitored outputs are valid. |
| 6 | PGOOD_OD | R/W | X | PGOOD signal type: 0 - Push-pull output (VANA level) 1 - Open-drain output |
| 5 | PGOOD_WINDOW_LDO | R/W | X | LDO Output voltage monitoring method for the PGOOD signal: 0 - Only undervoltage monitoring 1 - Overvoltage and undervoltage monitoring |
| 4 | PGOOD_WINDOW_BUCK | R/W | X | Buck Output voltage monitoring method for the PGOOD signal: 0 - Only undervoltage monitoring 1 - Overvoltage and undervoltage monitoring |
| 3 | EN_PGOOD_LDO1 | R/W | X | PGOOD signal source control from LDO1: 0 - LDO1 is not monitored. 1 - LDO1 Power-Good threshold voltage is monitored. |
| 2 | EN_PGOOD_LDO0 | R/W | X | PGOOD signal source control from theLDO0: 0 - LDO0 is not monitored. 1 - LDO0 Power-Good threshold voltage is monitored. |
| 1 | EN_PGOOD_BUCK1 | R/W | X | PGOOD signal source control from the Buck1: 0 - Buck1 is not monitored. 1 - Buck1 Power-Good threshold voltage is monitored. |
| 0 | EN_PGOOD_BUCK0 | R/W | X | PGOOD signal source control from the Buck0: 0 - Buck0 is not monitored. 1 - Buck0 Power-Good threshold voltage is monitored. |

7.6.1.23 PGOOD_CTRL_2

 PGOOD_CTRL_2 is shown in [Table 7-53](#), Address: 0x16

Table 7-52. PGOOD_CTRL_2 Register

| D7 | D6 | D5 | D4 | D3 | D2 | D1 | D0 |
|-----------------------|----|----|----|----|----------------|-----------------------|------------|
| Reserved - do not use | | | | | EN_PGOOD_TWARN | PG_FAULT_GATES_PGGOOD | PGOOD_MODE |

Table 7-53. PGOOD_CTRL_2 Register Field Descriptions

| Bits | Field | Type | Default | Description |
|------|-----------------------|------|---------|---|
| 7:3 | Reserved - do not use | R/W | 0 0000 | |
| 2 | EN_PGOOD_TWARN | R/W | X | Thermal warning control for the PGOOD signal: 0 - Thermal warning is not monitored. 1 - PGOOD inactive if the thermal warning flag is active. |
| 1 | PG_FAULT_GATES_PGGOOD | R/W | X | Type of operation for the PGOOD signal: 0 - Indicates live status of monitored voltage outputs. 1 - Indicates status of the PG_FAULT register, inactive when at least one PG_FAULT_x bit is inactive. |
| 0 | PGOOD_MODE | R/W | X | Operating mode for the PGOOD signal: 0 - Gated mode 1 - Continuous mode |

7.6.1.24 PG_FAULT

 PG_FAULT is shown in [Table 7-55](#), Address: 0x17

Table 7-54. PG_FAULT Register

| D7 | D6 | D5 | D4 | D3 | D2 | D1 | D0 |
|-----------------------|----|----|----|-------------------|-------------------|--------------------|--------------------|
| Reserved - do not use | | | | PG_FAULT_LD O1 | PG_FAULT_LD O0 | PG_FAULT_BU CK1 | PG_FAULT_BU CK0 |

Table 7-55. PG_FAULT Register Field Descriptions

| Bits | Field | Type | Default | Description |
|------|-----------------------|------|---------|--|
| 7:4 | Reserved - do not use | R/W | 0000 | |
| 3 | PG_FAULT_LDO1 | R/W | 0 | Source for the PGOOD inactive signal: 0 - LDO1 has not set the PGOOD signal inactive. 1 - LDO1 is selected for the PGOOD signal and it has set the PGOOD signal inactive. This bit can be cleared by writing '1' to this bit when the LDO1 output is valid. |
| 2 | PG_FAULT_LDO0 | R/W | 0 | Source for PGOOD inactive signal: 0 - LDO0 has not set the PGOOD signal inactive. 1 - LDO0 is selected for the PGOOD signal and it has set the PGOOD signal inactive. This bit can be cleared by writing '1' to this bit when the LDO0 output is valid. |
| 1 | PG_FAULT_BUCK1 | R/W | 0 | Source for PGOOD inactive signal: 0 - Buck1 has not set PGOOD signal inactive. 1 - Buck1 is selected for the PGOOD signal and it has set the PGOOD signal inactive. This bit can be cleared by writing '1' to this bit when the Buck1 output is valid. |
| 0 | PG_FAULT_BUCK0 | R/W | 0 | Source for PGOOD inactive signal: 0 - Buck0 has not set PGOOD signal inactive. 1 - Buck0 is selected for the PGOOD signal and it has set the PGOOD signal inactive. This bit can be cleared by writing '1' to this bit when the Buck0 output is valid. |

7.6.1.25 RESET

RESET is shown in [Table 7-57](#), Address: 0x18

Table 7-56. RESET Register

| D7 | D6 | D5 | D4 | D3 | D2 | D1 | D0 |
|-----------------------|----|----|----|----|----|----------|----|
| Reserved - do not use | | | | | | SW_RESET | |

Table 7-57. RESET Register Field Descriptions

| Bits | Field | Type | Default | Description |
|------|-----------------------|------|----------|--|
| 7:1 | Reserved - do not use | R/W | 000 0000 | |
| 0 | SW_RESET | R/W | 0 | Software commanded reset. When written to 1, the registers will be reset to the default values, the OTP memory is read, and the I ² C interface is reset. The bit is automatically cleared. |

7.6.1.26 INT_TOP_1

INT_TOP_1 is shown in [Table 7-59](#), Address: 0x19

Table 7-58. INT_TOP_1 Register

| D7 | D6 | D5 | D4 | D3 | D2 | D1 | D0 |
|-----------|---------|----------|------------------|-------------|-------------------|---------|------------|
| PGOOD_INT | LDO_INT | BUCK_INT | SYNC_CLK_IN T | TDIE_SD_INT | TDIE_WARN_I NT | OVP_INT | I_MEAS_INT |

Table 7-59. INT_TOP_1 Register Field Descriptions

| Bits | Field | Type | Default | Description |
|------|-----------|------|---------|---|
| 7 | PGOOD_INT | R/W | 0 | Latched status bit indicating that the PGOOD pin has changed from active to inactive. Write 1 to clear interrupt. |

Table 7-59. INT_TOP_1 Register Field Descriptions (continued)

| Bits | Field | Type | Default | Description |
|------|---------------|------|---------|---|
| 6 | LDO_INT | R | 0 | Interrupt indicating that the LDO1 and LDO0 have a pending interrupt. The reason for the interrupt is indicated in the INT_LDO register. This bit is cleared automatically when the INT_LDO register is cleared to 0x00. |
| 5 | BUCK_INT | R | 0 | Interrupt indicating that the Buck1 and Buck0 have a pending interrupt. The reason for the interrupt is indicated in the INT_BUCK register. This bit is cleared automatically when INT_BUCK register is cleared to 0x00. |
| 4 | SYNC_CLK_INT | R/W | 0 | Latched status bit indicating that the external clock has appeared or disappeared. Write 1 to clear interrupt. |
| 3 | TDIE_SD_INT | R/W | 0 | Latched status bit indicating that the die junction temperature has exceeded the thermal shutdown level. The regulators have been disabled if they were enabled and the GPO and GPO2 signals are driven low. The regulators cannot be enabled if this bit is active. The actual status of the thermal shutdown is indicated by the TDIE_SD_STAT bit in the TOP_STAT register. Write 1 to clear interrupt. |
| 2 | TDIE_WARN_INT | R/W | 0 | Latched status bit indicating that the die junction temperature has exceeded the thermal warning level. The actual status of the thermal warning is indicated by the TDIE_WARN_STAT bit in the TOP_STAT register. Write 1 to clear interrupt. |
| 1 | OVP_INT | R/W | 0 | Latched status bit indicating that the input voltage has exceeded the over-voltage detection level. The regulators have been disabled if they were enabled and the GPO and GPO2 signals are driven low. The actual status of the over-voltage is indicated by the OVP_STAT bit in the TOP_STAT register. Write 1 to clear interrupt. |
| 0 | I_MEAS_INT | R/W | 0 | Latched status bit indicating that the load current measurement result is available in the I_LOAD_1 and I_LOAD_2 registers. Write 1 to clear interrupt. |

7.6.1.27 INT_TOP_2

INT_TOP_2 is shown in [Table 7-61](#), Address: 0x1A

Table 7-60. INT_TOP_2 Register

| D7 | D6 | D5 | D4 | D3 | D2 | D1 | D0 |
|-----------------------|----|----|----|----|----|----|---------------|
| Reserved - do not use | | | | | | | RESET_REG_INT |

Table 7-61. INT_TOP_2 Register Field Descriptions

| Bits | Field | Type | Default | Description |
|------|-----------------------|------|----------|---|
| 7:1 | Reserved - do not use | R/W | 000 0000 | |
| 0 | RESET_REG_INT | R/W | 0 | Latched status bit indicating that either VANA supply voltage has been below the undervoltage threshold level or the host has requested a reset using the SW_RESET bit in RESET register. The regulators have been disabled, the registers are reset to the default values, and the normal startup procedure is done. Write 1 to clear interrupt. |

7.6.1.28 INT_BUCK

INT_BUCK is shown in [Table 7-63](#), Address: 0x1B

Table 7-62. INT_BUCK Register

| D7 | D6 | D5 | D4 | D3 | D2 | D1 | D0 |
|-----------------------|--------------|--------------|----------------|-----------------------|--------------|--------------|----------------|
| Reserved - do not use | BUCK1_PG_INT | BUCK1_SC_INT | BUCK1_ILIM_INT | Reserved - do not use | BUCK0_PG_INT | BUCK0_SC_INT | BUCK0_ILIM_INT |

Table 7-63. INT_BUCK Register Field Descriptions

| Bits | Field | Type | Default | Description |
|------|-----------------------|------|---------|---|
| 7 | Reserved - do not use | R/W | 0 | |
| 6 | BUCK1_PG_INT | R/W | 0 | Latched status bit indicating that Buck1 Power-Good event has been detected. Write 1 to clear. |
| 5 | BUCK1_SC_INT | R/W | 0 | Latched status bit indicating that the Buck1 output voltage has been over 1 ms below the short-circuit threshold level. Write 1 to clear. |
| 4 | BUCK1_ILIM_INT | R/W | 0 | Latched status bit indicating that the Buck1 output current limit has been active. Write 1 to clear. |
| 3 | Reserved - do not use | R/W | 0 | |
| 2 | BUCK0_PG_INT | R/W | 0 | Latched status bit indicating that the Buck0 Power-Good event has been detected. Write 1 to clear. |
| 1 | BUCK0_SC_INT | R/W | 0 | Latched status bit indicating that the Buck0 output voltage has been over 1 ms below the short-circuit threshold level. Write 1 to clear. |
| 0 | BUCK0_ILIM_INT | R/W | 0 | Latched status bit indicating that the Buck0 output current limit has been active. Write 1 to clear. |

7.6.1.29 INT_LDO

INT_LDO is shown in [Table 7-65](#), Address: 0x1C

Table 7-64. INT_LDO Register

| D7 | D6 | D5 | D4 | D3 | D2 | D1 | D0 |
|-----------------------|-------------|-------------|---------------|-----------------------|-------------|-------------|---------------|
| Reserved - do not use | LDO1_PG_INT | LDO1_SC_INT | LDO1_ILIM_INT | Reserved - do not use | LDO0_PG_INT | LDO0_SC_INT | LDO0_ILIM_INT |

Table 7-65. INT_LDO Register Field Descriptions

| Bits | Field | Type | Default | Description |
|------|-----------------------|------|---------|--|
| 7 | Reserved - do not use | R/W | 0 | |
| 6 | LDO1_PG_INT | R/W | 0 | Latched status bit indicating that the LDO1 Power-Good event has been detected. Write 1 to clear. |
| 5 | LDO1_SC_INT | R/W | 0 | Latched status bit indicating that the LDO1 output voltage has been over 1 ms below the short-circuit threshold level. Write 1 to clear. |
| 4 | LDO1_ILIM_INT | R/W | 0 | Latched status bit indicating that the LDO1 output current limit has been active. Write 1 to clear. |
| 3 | Reserved - do not use | R/W | 0 | |
| 2 | LDO0_PG_INT | R/W | 0 | Latched status bit indicating that the LDO0 Power-Good event has been detected. Write 1 to clear. |
| 1 | LDO0_SC_INT | R/W | 0 | Latched status bit indicating that the LDO0 output voltage has been over 1 ms below the short-circuit threshold level. Write 1 to clear. |
| 0 | LDO0_ILIM_INT | R/W | 0 | Latched status bit indicating that the LDO0 output current limit has been active. Write 1 to clear. |

7.6.1.30 TOP_STAT

TOP_STAT is shown in [Table 7-67](#), Address: 0x1D

Table 7-66. TOP_STAT Register

| D7 | D6 | D5 | D4 | D3 | D2 | D1 | D0 |
|----|----|----|----|----|----|----|----|
| | | | | | | | |

| | | | | | | |
|------------|-----------------------|---------------|--------------|----------------|----------|-----------------------|
| PGOOD_STAT | Reserved - do not use | SYNC_CLK_STAT | TDIE_SD_STAT | TDIE_WARN_STAT | OVP_STAT | Reserved - do not use |
|------------|-----------------------|---------------|--------------|----------------|----------|-----------------------|

Table 7-67. TOP_STAT Register Field Descriptions

| Bits | Field | Type | Default | Description |
|------|-----------------------|------|---------|--|
| 7 | PGOOD_STAT | R | 0 | Status bit indicating the status of the PGOOD pin: 0 - PGOOD pin is inactive. 1 - PGOOD pin is active. |
| 6:5 | Reserved - do not use | R | 00 | |
| 4 | SYNC_CLK_STAT | R | 0 | Status bit indicating the status of the external clock (CLKIN): 0 - External clock frequency is valid. 1 - External clock frequency is not valid. |
| 3 | TDIE_SD_STAT | R | 0 | Status bit indicating the status of the thermal shutdown: 0 - Die temperature below the thermal shutdown level. 1 - Die temperature above the thermal shutdown level. |
| 2 | TDIE_WARN_STAT | R | 0 | Status bit indicating the status of thermal warning: 0 - Die temperature below the thermal warning level. 1 - Die temperature above the thermal warning level. |
| 1 | OVP_STAT | R | 0 | Status bit indicating the status of the input overvoltage monitoring: 0 - Input voltage is below overvoltage threshold level. 1 - Input voltage above overvoltage threshold level. |
| 0 | Reserved - do not use | R | 0 | |

7.6.1.31 BUCK_STAT

BUCK_STAT is shown in [Table 7-69](#), Address: 0x1E

Table 7-68. BUCK_STAT Register

| D7 | D6 | D5 | D4 | D3 | D2 | D1 | D0 |
|------------|---------------|-----------------------|-----------------|------------|---------------|-----------------------|-----------------|
| BUCK1_STAT | BUCK1_PG_STAT | Reserved - do not use | BUCK1_ILIM_STAT | BUCK0_STAT | BUCK0_PG_STAT | Reserved - do not use | BUCK0_ILIM_STAT |

Table 7-69. BUCK_STAT Register Field Descriptions

| Bits | Field | Type | Default | Description |
|------|-----------------------|------|---------|---|
| 7 | BUCK1_STAT | R | 0 | Status bit indicating the enable and disable status of the Buck1: 0 - Buck1 regulator is disabled. 1 - Buck1 regulator is enabled. |
| 6 | BUCK1_PG_STAT | R | 0 | Status bit indicating the Buck1 output voltage validity (raw status): 0 - Buck1 output voltage is valid. 1 - Buck1 output voltage is invalid. |
| 5 | Reserved - do not use | R | 0 | |
| 4 | BUCK1_ILIM_STAT | R | 0 | Status bit indicating the Buck1 current limit status (raw status): 0 - Buck1 output current is below the current limit level. 1 - Buck1 output current limit is active. |
| 3 | BUCK0_STAT | R | 0 | Status bit indicating the enable and disable status of the Buck0: 0 - Buck0 regulator is disabled. 1 - Buck0 regulator is enabled. |
| 2 | BUCK0_PG_STAT | R | 0 | Status bit indicating the Buck0 output voltage validity (raw status): 0 - Buck0 output voltage is valid. 1 - Buck0 output voltage is invalid. |
| 1 | Reserved - do not use | R | 0 | |

Table 7-69. BUCK_STAT Register Field Descriptions (continued)

| Bits | Field | Type | Default | Description |
|------|-----------------|------|---------|---|
| 0 | BUCK0_ILIM_STAT | R | 0 | Status bit indicating the Buck0 current limit status (raw status): 0 - Buck0 output current is below the current limit level. 1 - Buck0 output current limit is active. |

7.6.1.32 LDO_STAT

LDO_STAT is shown in [Table 7-71](#), Address: 0x1F

Table 7-70. LDO_STAT Register

| D7 | D6 | D5 | D4 | D3 | D2 | D1 | D0 |
|-----------|--------------|-----------------------|----------------|-----------|--------------|-----------------------|----------------|
| LDO1_STAT | LDO1_PG_STAT | Reserved - do not use | LDO1_ILIM_STAT | LDO0_STAT | LDO0_PG_STAT | Reserved - do not use | LDO0_ILIM_STAT |

Table 7-71. LDO_STAT Register Field Descriptions

| Bits | Field | Type | Default | Description |
|------|-----------------------|------|---------|--|
| 7 | LDO1_STAT | R | 0 | Status bit indicating the enable and disable status of the LDO1: 0 - LDO1 regulator is disabled. 1 - LDO1 regulator is enabled. |
| 6 | LDO1_PG_STAT | R | 0 | Status bit indicating the LDO1 output voltage validity (raw status): 0 - LDO1 output voltage is valid. 1 - LDO1 output voltage is invalid. |
| 5 | Reserved - do not use | R | 0 | |
| 4 | LDO1_ILIM_STAT | R | 0 | Status bit indicating the LDO1 current limit status (raw status): 0 - LDO1 output current is below the current limit level. 1 - LDO1 output current limit is active. |
| 3 | LDO0_STAT | R | 0 | Status bit indicating the enable and disable status of the LDO0: 0 - LDO0 regulator is disabled. 1 - LDO0 regulator is enabled. |
| 2 | LDO0_PG_STAT | R | 0 | Status bit indicating the LDO0 output voltage validity (raw status): 0 - LDO0 output voltage is valid. 1 - LDO0 output voltage is invalid. |
| 1 | Reserved - do not use | R | 0 | |
| 0 | LDO0_ILIM_STAT | R | 0 | Status bit indicating the LDO0 current limit status (raw status): 0 - LDO0 output current is below the current limit level. 1 - LDO0 output current limit is active. |

7.6.1.33 TOP_MASK_1

TOP_MASK_1 is shown in [Table 7-73](#), Address: 0x20

Table 7-72. TOP_MASK_1 Register

| D7 | D6 | D5 | D4 | D3 | D2 | D1 | D0 |
|----------------|-----------------------|----|---------------|-----------------------|----------------|-----------------------|-------------------|
| PGOOD_INT_MASK | Reserved - do not use | | SYNC_CLK_MASK | Reserved - do not use | TDIE_WARN_MASK | Reserved - do not use | I_LOAD_READY_MASK |

Table 7-73. TOP_MASK_1 Register Field Descriptions

| Bits | Field | Type | Default | Description |
|------|-----------------------|------|---------|---|
| 7 | PGOOD_INT_MASK | R/W | X | Masking for Power-Good interrupt (PGOOD_INT in INT_TOP_1 register): 0 - Interrupt is generated. 1 - Interrupt is not generated. This bit does not affect the PGOOD_STAT status bit in the TOP_STAT register. |
| 6:5 | Reserved - do not use | R/W | 00 | |

Table 7-73. TOP_MASK_1 Register Field Descriptions (continued)

| Bits | Field | Type | Default | Description |
|------|-----------------------|------|---------|---|
| 4 | SYNC_CLK_MASK | R/W | X | Masking for the external clock detection interrupt (SYNC_CLK_INT in INT_TOP_1 register): 0 - Interrupt is generated. 1 - Interrupt is not generated. This bit does not affect the SYNC_CLK_STAT status bit in the TOP_STAT register. |
| 3 | Reserved - do not use | R/W | 0 | |
| 2 | TDIE_WARN_MASK | R/W | X | Masking for the thermal warning interrupt (TDIE_WARN_INT in INT_TOP_1 register): 0 - Interrupt is generated. 1 - Interrupt is not generated. This bit does not affect the TDIE_WARN_STAT status bit in the TOP_STAT register. |
| 1 | Reserved - do not use | R/W | 0 | |
| 0 | I_MEAS_MASK | R/W | X | Masking for the load current measurement ready interrupt (MEAS_INT in INT_TOP_1 register): 0 - Interrupt is generated. 1 - Interrupt is not generated. |

7.6.1.34 TOP_MASK_2

TOP_MASK_2 is shown in [Table 7-75](#), Address: 0x21

Table 7-74. TOP_MASK_2 Register

| D7 | D6 | D5 | D4 | D3 | D2 | D1 | D0 |
|-----------------------|----|----|----|----|----|----|----------------|
| Reserved - do not use | | | | | | | RESET_REG_MASK |

Table 7-75. TOP_MASK_2 Register Field Descriptions

| Bits | Field | Type | Default | Description |
|------|-----------------------|------|----------|--|
| 7:1 | Reserved - do not use | R/W | 000 0000 | |
| 0 | RESET_REG_MASK | R/W | X | Masking for register reset interrupt (RESET_REG_INT in INT_TOP_2 register): 0 - Interrupt is generated. 1 - Interrupt is not generated. This change of this bit by I ² C writing has no effect because it will be read from OTP memory during reset. |

7.6.1.35 BUCK_MASK

BUCK_MASK is shown in [Table 7-77](#), Address: 0x22

Table 7-76. BUCK_MASK Register

| D7 | D6 | D5 | D4 | D3 | D2 | D1 | D0 |
|----------------|----------------|-----------------------|-----------------|----------------|----------------|-----------------------|-----------------|
| BUCK1_PGF_MASK | BUCK1_PGR_MASK | Reserved - do not use | BUCK1_ILIM_MASK | BUCK0_PGF_MASK | BUCK0_PGR_MASK | Reserved - do not use | BUCK0_ILIM_MASK |

Table 7-77. BUCK_MASK Register Field Descriptions

| Bits | Field | Type | Default | Description |
|------|----------------|------|---------|---|
| 7 | BUCK1_PGF_MASK | R/W | X | Masking of the Power Good invalid detection for the Buck1 power good interrupt (BUCK1_PG_INT in INT_BUCK register): 0 - Interrupt is generated. 1 - Interrupt is not generated. This bit does not affect the BUCK1_PG_STAT status bit in the BUCK_STAT register. |

Table 7-77. BUCK_MASK Register Field Descriptions (continued)

| Bits | Field | Type | Default | Description |
|------|-----------------------|------|---------|---|
| 6 | BUCK1_PGR_MASK | R/W | X | Masking of the Power Good valid detection for the Buck1 Power Good interrupt (BUCK1_PG_INT in INT_BUCK register): 0 - Interrupt is generated. 1 - Interrupt is not generated. This bit does not affect the BUCK1_PG_STAT status bit in the BUCK_STAT register. |
| 5 | Reserved - do not use | R | 0 | |
| 4 | BUCK1_ILIM_MASK | R/W | X | Masking for the Buck1 current limit detection interrupt (BUCK1_ILIM_INT in INT_BUCK register): 0 - Interrupt is generated. 1 - Interrupt is not generated. This bit does not affect the BUCK1_ILIM_STAT status bit in the BUCK_STAT register. |
| 3 | BUCK0_PGF_MASK | R/W | X | Masking of the Power Good invalid detection for the Buck0 power good interrupt (BUCK0_PG_INT in INT_BUCK register): 0 - Interrupt is generated. 1 - Interrupt is not generated. This bit does not affect BUCK0_PG_STAT status bit in BUCK_STAT register. |
| 2 | BUCK0_PGR_MASK | R/W | X | Masking of the Power Good valid detection for the Buck0 power good interrupt (BUCK0_PG_INT in INT_BUCK register): 0 - Interrupt is generated. 1 - Interrupt is not generated. This bit does not affect the BUCK0_PG_STAT status bit in the BUCK_STAT register. |
| 1 | Reserved - do not use | R | 0 | |
| 0 | BUCK0_ILIM_MASK | R/W | X | Masking for the Buck0 current limit detection interrupt (BUCK0_ILIM_INT in INT_BUCK register): 0 - Interrupt is generated. 1 - Interrupt is not generated. This bit does not affect the BUCK0_ILIM_STAT status bit in the BUCK_STAT register. |

7.6.1.36 LDO_MASK

LDO_MASK is shown in [Table 7-79](#), Address: 0x23

Table 7-78. LDO_MASK Register

| D7 | D6 | D5 | D4 | D3 | D2 | D1 | D0 |
|---------------|---------------|-----------------------|----------------|---------------|---------------|-----------------------|----------------|
| LDO1_PGF_MASK | LDO1_PGR_MASK | Reserved - do not use | LDO1_ILIM_MASK | LDO0_PGF_MASK | LDO0_PGR_MASK | Reserved - do not use | LDO0_ILIM_MASK |

Table 7-79. LDO_MASK Register Field Descriptions

| Bits | Field | Type | Default | Description |
|------|-----------------------|------|---------|--|
| 7 | LDO1_PGF_MASK | R/W | X | Masking of the Power Good invalid detection for the LDO1 power good interrupt (LDO1_PG_INT in INT_LDO register): 0 - Interrupt is generated. 1 - Interrupt is not generated. This bit does not affect the LDO1_PG_STAT status bit in the LDO_STAT register. |
| 6 | LDO1_PGR_MASK | R/W | X | Masking of the Power Good valid detection for the LDO1 power good interrupt (LDO1_PG_INT in INT_LDO register): 0 - Interrupt is generated. 1 - Interrupt is not generated. This bit does not affect the LDO1_PG_STAT status bit in the LDO_STAT register. |
| 5 | Reserved - do not use | R | 0 | |
| 4 | LDO1_ILIM_MASK | R/W | X | Masking for the LDO1 current limit detection interrupt (LDO1_ILIM_INT in INT_LDO register): 0 - Interrupt is generated. 1 - Interrupt is not generated. This bit does not affect the LDO1_ILIM_STAT status bit in the LDO_STAT register. |

Table 7-79. LDO_MASK Register Field Descriptions (continued)

| Bits | Field | Type | Default | Description |
|------|-----------------------|------|---------|--|
| 3 | LDO0_PGF_MASK | R/W | X | Masking of the Power Good invalid detection for the LDO0 power good interrupt (LDO0_PG_INT in INT_LDO register): 0 - Interrupt is generated. 1 - Interrupt is not generated. This bit does not affect the LDO0_PG_STAT status bit in the LDO_STAT register. |
| 2 | LDO0_PGR_MASK | R/W | X | Masking of Power Good valid detection for the LDO0 power good interrupt (LDO0_PG_INT in INT_LDO register): 0 - Interrupt is generated. 1 - Interrupt is not generated. This bit does not affect the LDO0_PG_STAT status bit in the LDO_STAT register. |
| 1 | Reserved - do not use | R | 0 | |
| 0 | LDO0_ILIM_MASK | R/W | | Masking for the LDO0 current limit detection interrupt (LDO0_ILIM_INT in INT_LDO register): 0 - Interrupt is generated. 1 - Interrupt is not generated. This bit does not affect the LDO0_ILIM_STAT status bit in the LDO_STAT register. |

7.6.1.37 SEL_I_LOADSEL_I_LOAD is shown in [Table 7-81](#), Address: 0x24**Table 7-80. SEL_I_LOAD Register**

| D7 | D6 | D5 | D4 | D3 | D2 | D1 | D0 |
|-----------------------|----|----|----|----|----|----|--------------------------|
| Reserved - do not use | | | | | | | LOAD_CURRENT_BUCK_SELECT |

Table 7-81. SEL_I_LOAD Register Field Descriptions

| Bits | Field | Type | Default | Description |
|------|--------------------------|------|----------|---|
| 7:1 | Reserved - do not use | R/W | 000 0000 | |
| 0 | LOAD_CURRENT_BUCK_SELECT | R/W | 0 | Start the current measurement on the selected regulator: 0 - Buck0 1 - Buck1 The measurement is started when the register is written. If the selected buck is master, then the measurement result is a sum current of the master and slave buck. If the selected buck is slave, then the measurement result is a current of the selected slave buck. |

7.6.1.38 I_LOAD_2I_LOAD_2 is shown in [Table 7-83](#), Address: 0x25**Table 7-82. I_LOAD_2 Register**

| D7 | D6 | D5 | D4 | D3 | D2 | D1 | D0 |
|-----------------------|----|----|----|----|----|----|----------------------|
| Reserved - do not use | | | | | | | BUCK_LOAD_CURRENT[8] |

Table 7-83. I_LOAD_2 Register Field Descriptions

| Bits | Field | Type | Default | Description |
|------|-----------------------|------|----------|---|
| 7:1 | Reserved - do not use | R | 000 0000 | |
| 0 | BUCK_LOAD_CURRENT[8] | R | 0 | This register describes the MSB bit of the average load current on the selected regulator with a resolution of 20 mA per LSB and maximum 10.22-A current. |

7.6.1.39 I_LOAD_1

I_LOAD_1 is shown in [Table 7-85](#), Address: 0x26

Table 7-84. I_LOAD_1 Register

| | | | | | | | |
|------------------------|----|----|----|----|----|----|----|
| D7 | D6 | D5 | D4 | D3 | D2 | D1 | D0 |
| BUCK_LOAD_CURRENT[7:0] | | | | | | | |

Table 7-85. I_LOAD_1 Register Field Descriptions

| Bits | Field | Type | Default | Description |
|------|------------------------|------|-----------|--|
| 7:0 | BUCK_LOAD_CURRENT[7:0] | R | 0000 0000 | This register describes 8 LSB bits of the average load current on the selected regulator with a resolution of 20 mA per LSB and maximum 10.22-A current. |

8 Application and Implementation

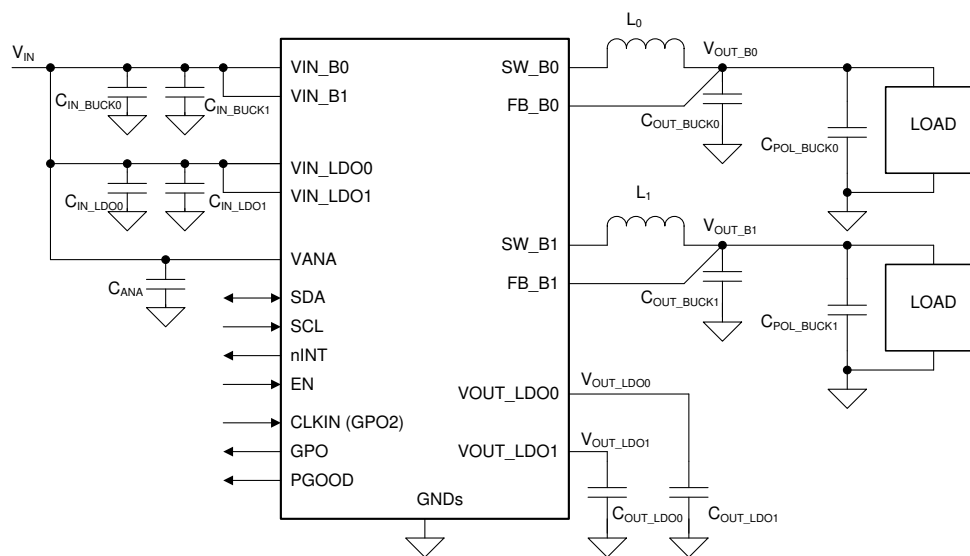
Note

Information in the following applications sections is not part of the TI component specification, and TI does not warrant its accuracy or completeness. TI's customers are responsible for determining suitability of components for their purposes. Customers should validate and test their design implementation to confirm system functionality.

8.1 Application Information

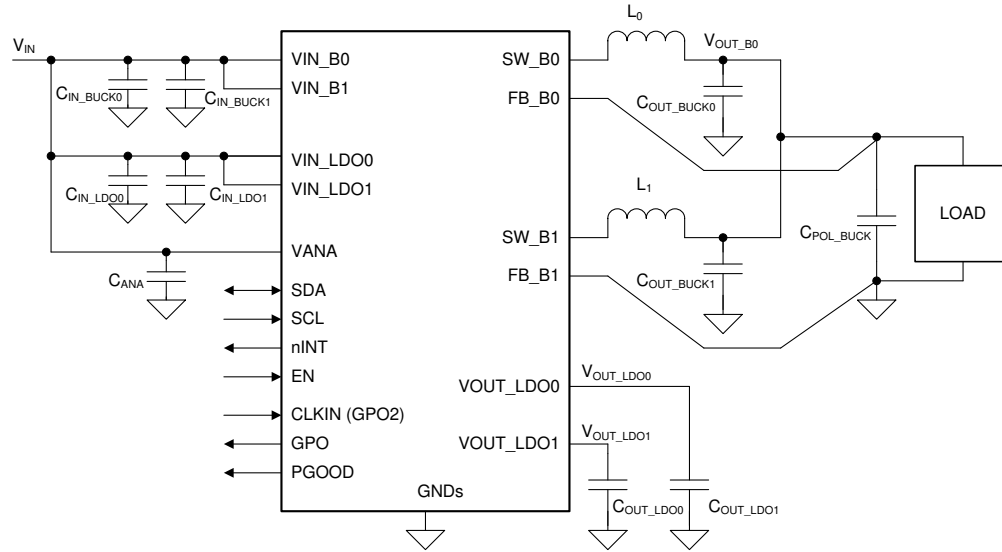
The LP8732xx-Q1 is a power management unit including two step-down regulators, two linear regulators, and two general-purpose digital output signals.

8.2 Typical Applications



Copyright © 2017, Texas Instruments Incorporated

Figure 8-1. Two Single-Phase Buck Outputs Configuration



Copyright © 2017, Texas Instruments Incorporated

Figure 8-2. Single Dual-Phase Buck Output Configuration

8.2.1 Design Requirements

8.2.1.1 Inductor Selection

The inductors L_0 and L_1 are shown in the [Section 8.2](#). The inductance and DCR of the inductor affects the control loop of the buck regulator. TI recommends using inductors similar to those listed in [Table 8-1](#). Pay attention to the saturation current and temperature rise current of the inductor. Check that the saturation current is higher than the peak current limit and the temperature rise current is higher than the maximum expected rms output current. The minimum effective inductance to ensure good performance is $0.22 \mu\text{H}$ at maximum peak output current over the operating temperature range. DC resistance of the inductor must be less than 0.05Ω for good efficiency at high-current conditions. The inductor AC loss also affects conversion efficiency. Higher Q factor at switching frequency usually gives better efficiency at light load to middle load. Shielded inductors are preferred, as they radiate less noise.

Table 8-1. Recommended Inductors

| MANUFACTURER | PART NUMBER | VALUE | DIMENSIONS L × W × H (mm) | RATED DC CURRENT I_{SAT} maximum (typical) / I_{TEMP} maximum (typical) (A) | DCR typical / maximum (mΩ) |
|--------------|------------------|--------------------------|---------------------------|---|----------------------------------|
| TOKO | DFE252012PD-R47M | $0.47 \mu\text{H}$ (20%) | $2.5 \times 2 \times 1.2$ | $5.2 (-) / 4 (-)^{(1)}$ | $- / 27$ |
| Tayo Yuden | MDMK2020TR47MM V | $0.47 \mu\text{H}$ (20%) | $2 \times 2 \times 1.2$ | $4.2 (4.8) / 2.3 (2.45)$ | $40 / 46$ |

(1) Operating temperature range is up to 125°C including self temperature rise.

8.2.1.2 Buck Input Capacitor Selection

The input capacitors $C_{\text{IN_BUCK}0}$ and $C_{\text{IN_BUCK}1}$ are shown in the [Section 8.2](#). A ceramic input bypass capacitor of $10 \mu\text{F}$ is required for each phase of the regulator. Place the input capacitor as close as possible to the VIN_Bx pin and PGND_Bx pin of the device. A larger value or higher voltage rating improves the input voltage filtering. Use X7R type of capacitors, not Y5V or F. Also, the DC bias characteristics capacitors must be considered. The minimum effective input capacitance to ensure good performance is $1.9 \mu\text{F}$ per buck input at maximum input voltage including tolerances, ambient temperature range, and aging (assuming at least $22 \mu\text{F}$ of additional capacitance is common for all the power input pins on the system power rail). See [Table 8-2](#).

The input filter capacitor supplies current to the high-side FET switch in the first half of each cycle and reduces voltage ripple imposed on the input power source. The low ESR of the ceramic capacitor provides the best noise filtering of the input voltage spikes due to this rapidly changing current. Select an input filter capacitor with sufficient ripple current rating. In addition, ferrite can be used in front of the input capacitor to reduce the EMI.

Table 8-2. Recommended Buck Input Capacitor (X7R Dielectric)

| MANUFACTURER | PART NUMBER | VALUE | CASE SIZE | DIMENSIONS L × W × H (mm) | VOLTAGE RATING |
|--------------|-------------------|-------------|-----------|---------------------------|----------------|
| Murata | GCM21BR71A106KE22 | 10 µF (10%) | 0805 | 2 × 1.25 × 1.25 | 10 V |

8.2.1.3 Buck Output Capacitor Selection

The output capacitor C_{OUT_BUCK0} and C_{OUT_BUCK1} are shown in [Section 8.2](#). A ceramic local output capacitor of 22 µF is required per phase. Use ceramic capacitors, X7R type; do not use Y5V or F. DC bias voltage characteristics of ceramic capacitors must be considered. The output filter capacitor smooths out current flow from the inductor to the load, which helps maintain a steady output voltage during transient load changes and reduces output voltage ripple. These capacitors must be selected with sufficient capacitance and sufficiently low ESR and ESL to perform these functions. The minimum effective output capacitance to ensure good performance is 10 µF per phase, including the DC voltage rolloff, tolerances, aging, and temperature effects.

The output voltage ripple is caused by the charging and discharging of the output capacitor and due to its R_{ESR} . The R_{ESR} is frequency dependent (and temperature dependent); ensure the value used for selection process is at the switching frequency of the part. See [Table 8-3](#).

POL capacitors C_{POL_BUCKx} can be used to improve load transient performance and to decrease the ripple voltage. A higher output capacitance improves the load step behavior, reduces the output voltage ripple, and decreases the PFM switching frequency. However, output capacitance higher than 150 µF per phase is not necessarily of any benefit. The output capacitor may be the limiting factor in the output voltage ramp, see [Section 6](#) for maximum output capacitance for different slew-rate settings. For large output capacitors, the output voltage might be slower than the programmed ramp rate at voltage transitions, because of the higher energy stored on the output capacitance. Also at start-up, the time required to charge the output capacitor to target value might be longer. At shutdown, the output voltage is discharged to a 0.6 V level using forced-PWM operation. This can increase the input voltage if the load current is small and the output capacitor is large compared to input capacitor. Below the 0.6 V level, the output capacitor is discharged by the internal discharge resistor, and with large capacitor more time is required to settle V_{OUT} down as a consequence of the increased time constant.

Table 8-3. Recommended Buck Output Capacitors (X7R Dielectric)

| MANUFACTURER | PART NUMBER | VALUE | CASE SIZE | DIMENSIONS L × W × H (mm) | VOLTAGE RATING |
|--------------|-------------------|-------------|-----------|---------------------------|----------------|
| Murata | GCM31CR71A226KE02 | 22 µF (10%) | 1206 | 3.2 × 1.6 × 1.6 | 10 V |

8.2.1.4 LDO Input Capacitor Selection

The input capacitors C_{IN_LDO0} and C_{IN_LDO1} are shown in the [Table 8-4](#). A ceramic input capacitor of 2.2 µF, 6.3 V is sufficient for most applications. Place the input capacitor as close as possible to the V_{IN_LDOx} pin and AGND pin of the device. A larger value or higher voltage rating improves the input voltage filtering. Use X7R type of capacitors, not Y5V or F. DC bias characteristics of capacitors must be considered, the minimum effective input capacitance to ensure good performance is 0.6 µF per LDO input at maximum input voltage including tolerances, ambient temperature range, and aging. See [Table 8-4](#).

Table 8-4. Recommended LDO Input Capacitors (X7R Dielectric)

| MANUFACTURER | PART NUMBER | VALUE | CASE SIZE | DIMENSIONS L × W × H (mm) | VOLTAGE RATING |
|--------------|-------------------|--------------|-----------|---------------------------|----------------|
| Murata | GCM188R70J225KE22 | 2.2 µF (10%) | 0603 | 1.6 × 0.8 × 0.8 | 6.3 V |
| Murata | GCM21BR71C475KA73 | 4.7 µF (10%) | 0805 | 2 × 1.25 × 1.25 | 16 V |

8.2.1.5 LDO Output Capacitor Selection

The output capacitors C_{OUT_LDO0} and C_{OUT_LDO1} are shown in the [Section 8.2](#). A ceramic output capacitor of minimum 1.0 µF is required. Place the output capacitor as close to the V_{OUT_LDOx} pin and AGND pin of the device as possible. Use X7R type of capacitors, not Y5V or F. DC bias characteristics of capacitors must be

considered, the minimum effective output capacitance to ensure good performance is 0.4 μF per LDO input at maximum input voltage including tolerances, ambient temperature range, and aging. See [Table 8-5](#).

Note: the output capacitor requirements excludes any capacitance seen at the point of load and only refers to the capacitance seen close to the device. Additional capacitance placed near the load can be supported, but the end application system should be evaluated for stability and to ensure the sequencing requirements are met. The shutdown decay will be longer with higher output capacitance, which can also impact the startup time. Total output capacitance should be kept below 100 μF .

The output capacitance must be smaller than the input capacitance to ensure the stability of the LDO. With a 1- μF output capacitor, TI recommends using at least a 2.2- μF input capacitor; with a 2.2- μF output capacitor at least 4.7- μF input capacitance.

The VANA input is used to supply analog and digital circuits in the device. See [Table 8-6](#) for recommended components from for VANA input supply filtering.

Table 8-5. Recommended LDO Output Capacitors (X7R Dielectric)

| MANUFACTURER | PART NUMBER | VALUE | CASE SIZE | DIMENSIONS L × W × H (mm) | VOLTAGE RATING |
|--------------|-------------------|-------------------------|-----------|---------------------------|----------------|
| Murata | GCM188R71C105KA64 | 1 μF (10%) | 0603 | 1.6 × 0.8 × 0.8 | 16 V |
| Murata | GCM188R70J225KE22 | 2.2 μF (10%) | 0603 | 1.6 × 0.8 × 0.8 | 6.3 V |

Table 8-6. Recommended Supply Filtering Components

| MANUFACTURER | PART NUMBER | VALUE | CASE SIZE | DIMENSIONS L × W × H (mm) | VOLTAGE RATING |
|--------------|-------------------|--------------|-----------|---------------------------|----------------|
| Murata | GCM155R71C104KA55 | 100 nF (10%) | 0402 | 1 × 0.5 × 0.5 | 16 V |
| Murata | GCM188R71C104KA37 | 100 nF (10%) | 0603 | 1.6 × 0.8 × 0.8 | 16 V |

8.2.1.6 Current Limit vs. Maximum Output Current

The inductor current ripple can be calculated using [Equation 1](#) and [Equation 2](#):

$$D = \frac{V_{OUT}}{V_{IN(max)} \times \eta} \quad (1)$$

$$\Delta I_L = \frac{(V_{IN(max)} - V_{OUT}) \times D}{f_{SW} \times L} \quad (2)$$

Example using [Equation 1](#) and [Equation 2](#):

$$V_{IN(max)} = 5.5 \text{ V}$$

$$V_{OUT} = 1 \text{ V}$$

$$\eta = 0.75$$

$$f_{SW} = 1.8 \text{ MHz}$$

$$L = 0.38 \text{ } \mu\text{H}$$

$$\text{then } D = 0.242 \text{ and } \Delta I_L = 1.59 \text{ A}$$

Peak current is half of the current ripple. If $I_{LIM_FWD_SET_OTP}$ is 3 A, the minimum forward current limit would be 2.85 A when taking the -5% tolerance into account. In this case the difference between set peak current and maximum load current = 0.795 A + 0.15 A = 0.945 A.

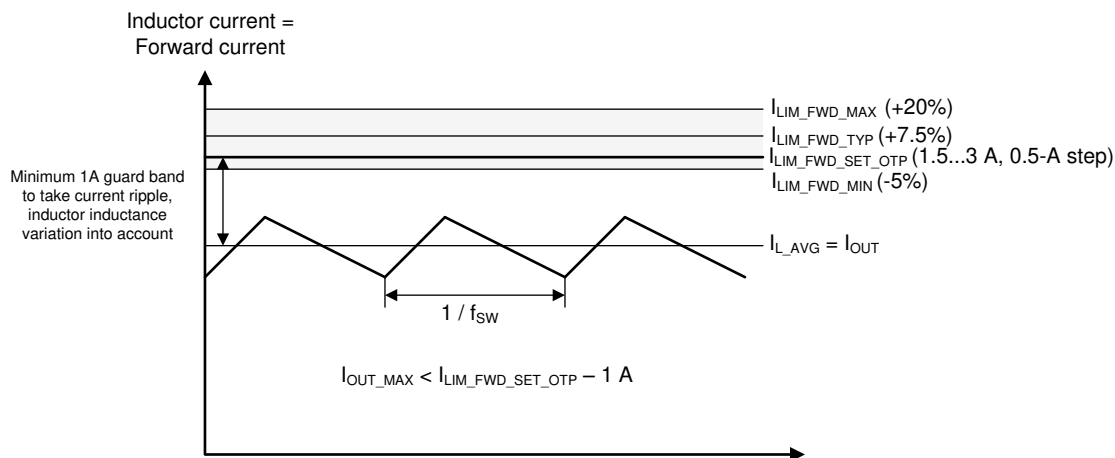


Figure 8-3. Current Limit vs Maximum Output Current

8.2.2 Detailed Design Procedure

The performance of the LP8732xx-Q1 device depends greatly on the care taken in designing the printed circuit board (PCB). The use of low-inductance and low serial-resistance ceramic capacitors is strongly recommended, while proper grounding is crucial. Attention must be given to decoupling the power supplies. Decoupling capacitors must be connected close to the device and between the power and ground pins to support high peak currents being drawn from system power rail during turnon of the switching MOSFETs. Keep input and output traces as short as possible, because trace inductance, resistance, and capacitance can become performance limiting items. The separate buck regulator power pins VIN_Bx are not connected together internally. Connect the VIN_Bx power connections together outside the package using power plane construction.

8.2.3 Application Curves

Measurements are done using typical application set up with connections shown in Section 8.2. Graphs may not reflect the OTP default settings. Unless otherwise specified: $V_{(VIN_Bx)} = V_{(VIN_LDOx)} = V_{(VANA)} = 3.7\text{ V}$, $V_{OUT_Bx} = 1\text{ V}$, $V_{OUT_LDOx} = 1\text{ V}$, $T_A = 25^\circ\text{C}$, $L = 0.47\text{ }\mu\text{H}$ (TOKO DFE252012PD-R47M), $C_{OUT_BUCK} = 22\text{ }\mu\text{F}$ / phase, and $C_{POL_BUCK} = 22\text{ }\mu\text{F}$, $C_{OUT_LDO} = 1\text{ }\mu\text{F}$.

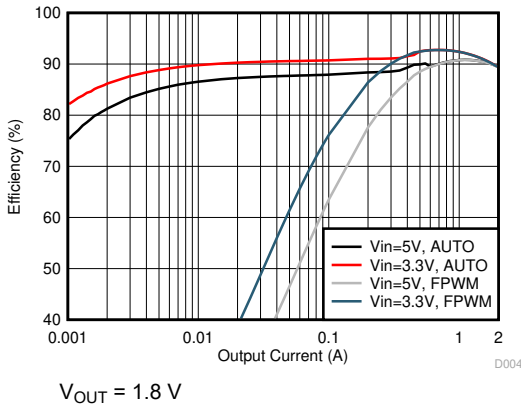


Figure 8-4. Buck Efficiency in PFM/PWM and Forced PWM Mode (Single-Phase Output)

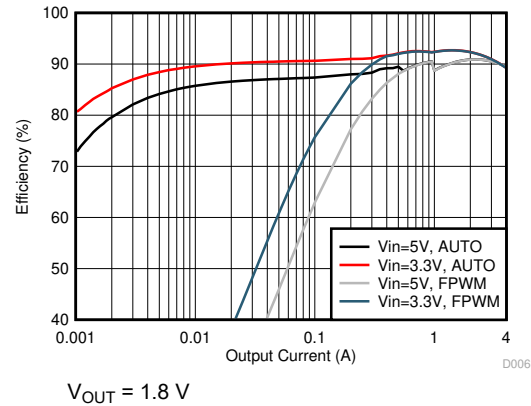


Figure 8-5. Buck Efficiency in PFM/PWM and Forced PWM Mode (Dual-Phase Output)

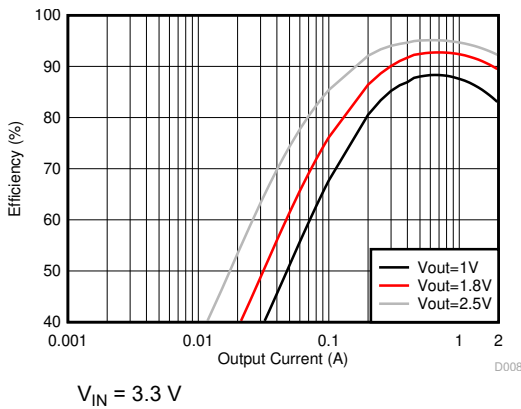


Figure 8-6. Buck Efficiency in Forced PWM Mode (Single-Phase Output)

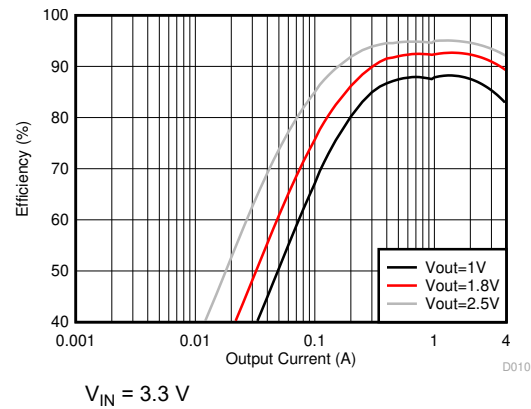


Figure 8-7. Buck Efficiency in Forced PWM Mode (Dual-Phase Output)

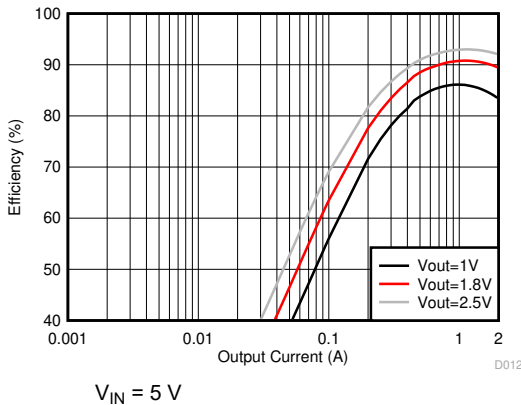


Figure 8-8. Buck Efficiency in Forced PWM Mode (Single-Phase Output)

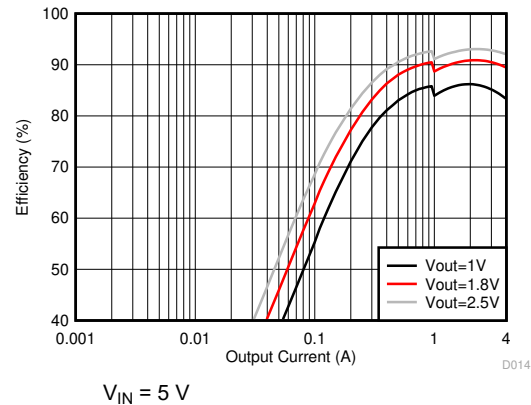


Figure 8-9. Buck Efficiency in Forced PWM Mode (Dual-Phase Output)

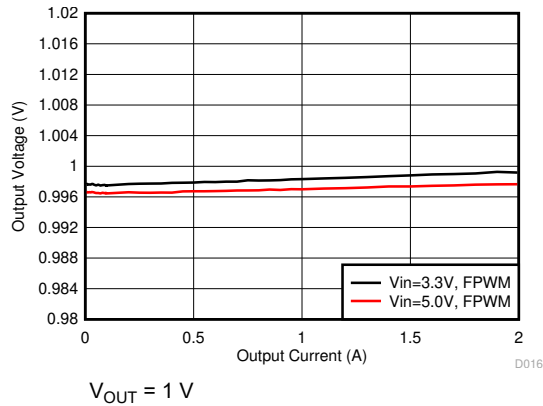


Figure 8-10. Buck Output Voltage vs Load Current in Forced PWM Mode (Single-Phase Output)

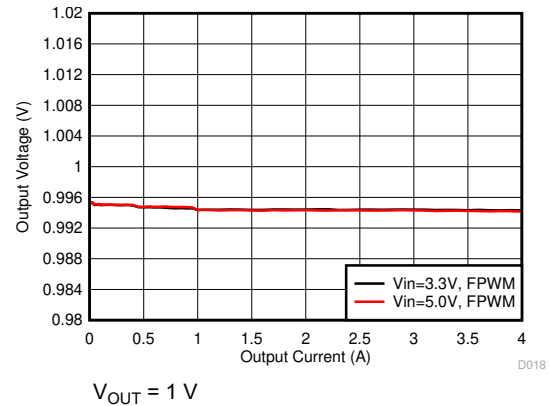


Figure 8-11. Buck Output Voltage vs Load Current in Forced PWM Mode (Dual-Phase Output)

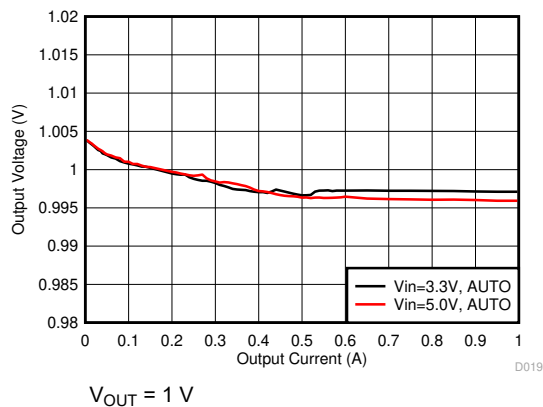


Figure 8-12. Buck Output Voltage vs Load Current in PFM/PWM Mode (Single-Phase Output)

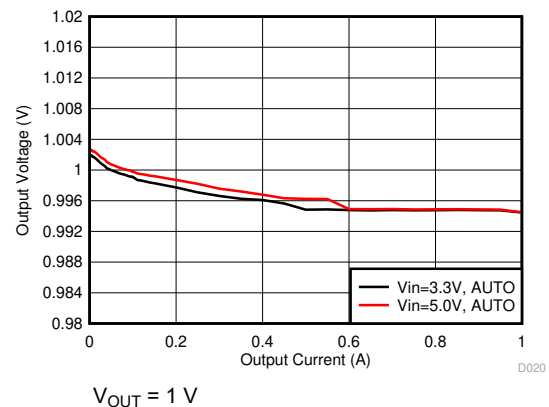


Figure 8-13. Buck Output Voltage vs Load Current in PFM/PWM Mode (Dual-Phase Output)

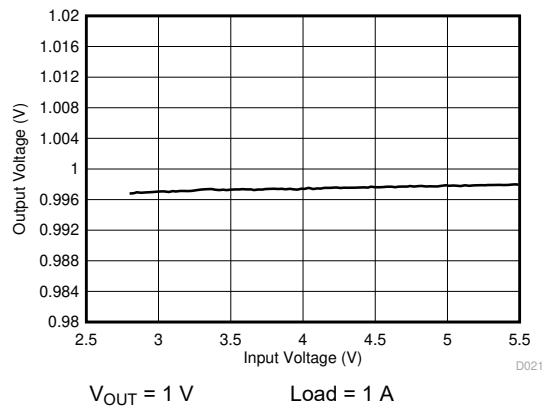


Figure 8-14. Buck Output Voltage vs Input Voltage in PWM Mode (Single-Phase Output)

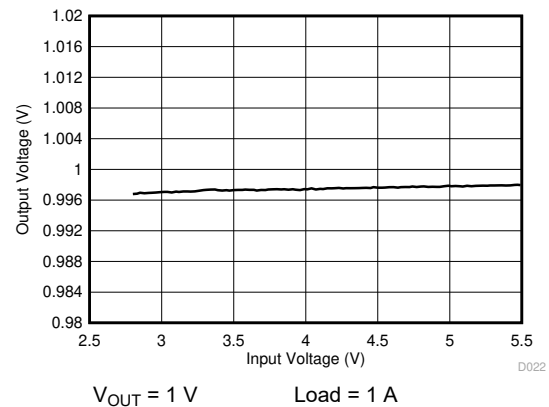
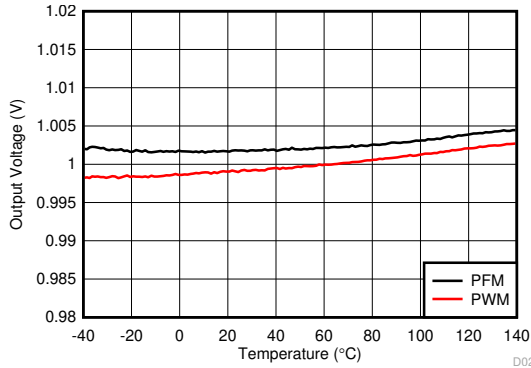
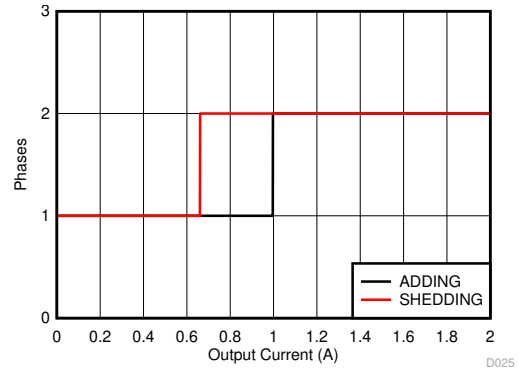


Figure 8-15. Buck Output Voltage vs Input Voltage in PWM Mode (Dual-Phase Output)



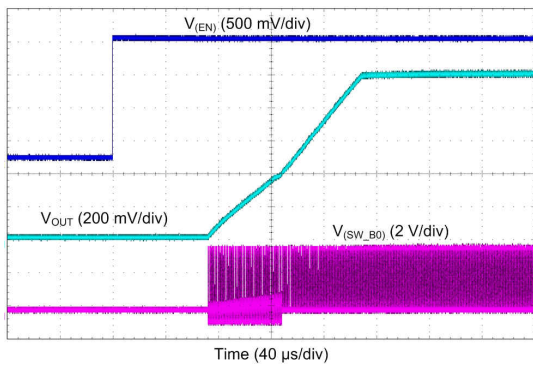
Load = 1 A (PWM) and 0.1 A (PFM)

Figure 8-16. Buck Output Voltage vs Temperature



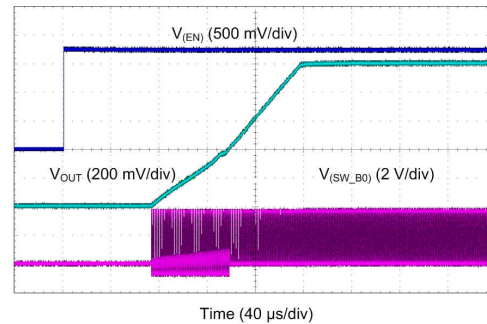
$V_{IN} = 3.7\text{ V}$

Figure 8-17. Buck Phase Adding and Shedding vs Load Current (Dual-Phase Output)



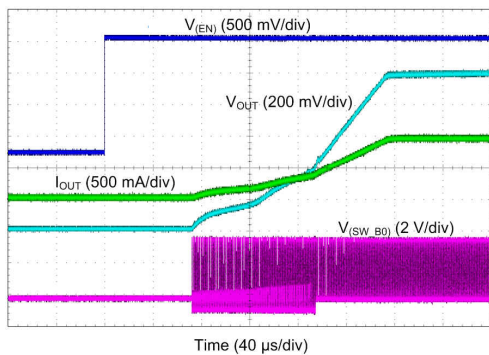
Slew-rate = 10 mV/μs $I_{LOAD} = 0\text{ A}$ $V_{OUT} = 1\text{ V}$

Figure 8-18. Buck Start-Up With EN1, Forced PWM Mode (Single-Phase Output)



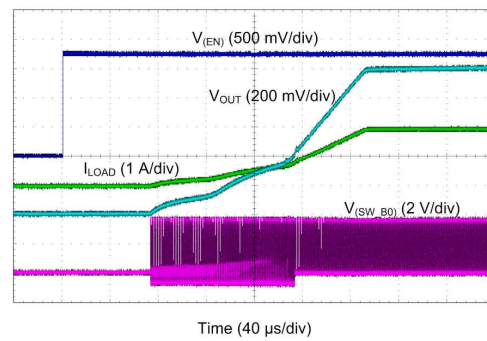
Slew-rate = 10 mV/μs $I_{LOAD} = 0\text{ A}$ $V_{OUT} = 1\text{ V}$

Figure 8-19. Buck Start-Up With EN1, Forced PWM Mode (Dual-Phase Output)



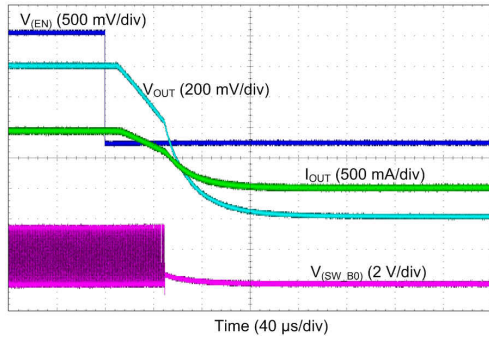
Slew-rate = 10 mV/μs $R_{LOAD} = 1\ \Omega$ $V_{OUT} = 1\text{ V}$

Figure 8-20. Buck Start-Up with EN1, Forced PWM Mode (Single-Phase Output)



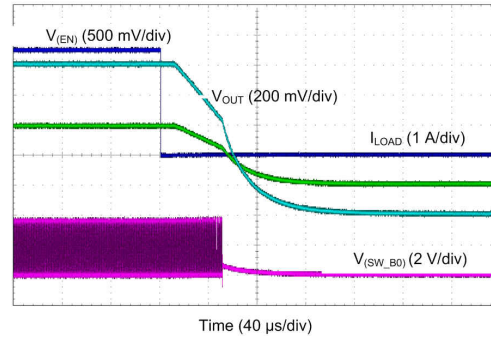
Slew-rate = 10 mV/μs $R_{LOAD} = 0.5\ \Omega$ $V_{OUT} = 1\text{ V}$

Figure 8-21. Buck Start-Up with EN1, Forced PWM Mode (Dual-Phase Output)



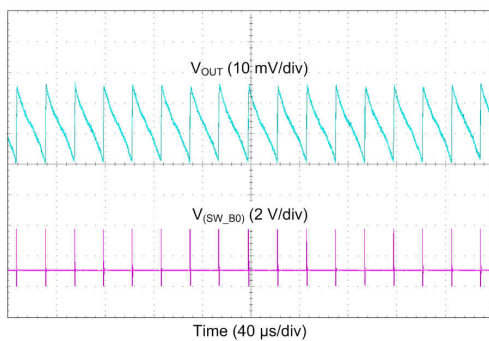
Slew-rate = 10 mV/μs $R_{LOAD} = 1 \Omega$ $V_{OUT} = 1 V$

Figure 8-22. Buck Shutdown With EN1, Forced PWM Mode (Single-Phase Output)



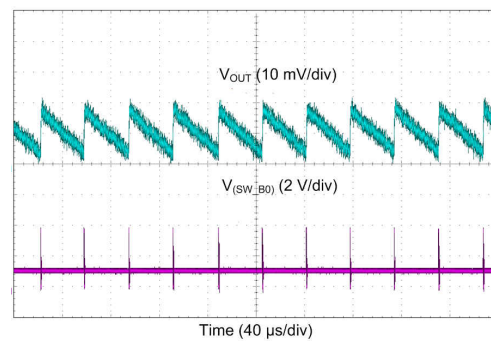
Slew-rate = 10 mV/μs $R_{LOAD} = 0.5 \Omega$ $V_{OUT} = 1 V$

Figure 8-23. Buck Shutdown With EN1, Forced PWM Mode (Dual-Phase Output)



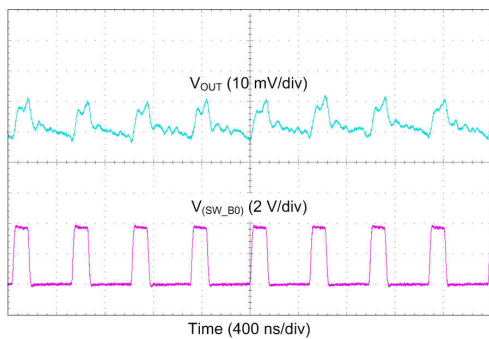
$I_{OUT} = 10 mA$

Figure 8-24. Buck Output Voltage Ripple, PFM Mode (Single-Phase Output)



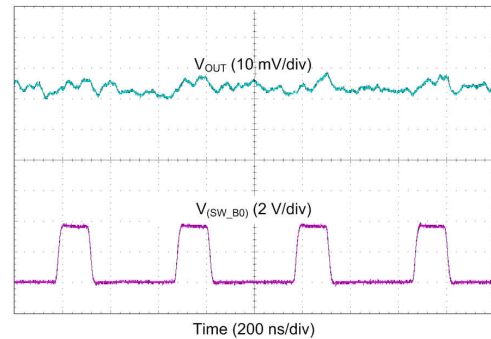
$I_{OUT} = 10 mA$

Figure 8-25. Buck Output Voltage Ripple, PFM Mode (Dual-Phase Output)



$I_{OUT} = 200 mA$

Figure 8-26. Buck Output Voltage Ripple, Forced PWM Mode (Single-Phase Output)



$I_{OUT} = 200 mA$

Figure 8-27. Buck Output Voltage Ripple, Forced PWM Mode (Dual-Phase Output)

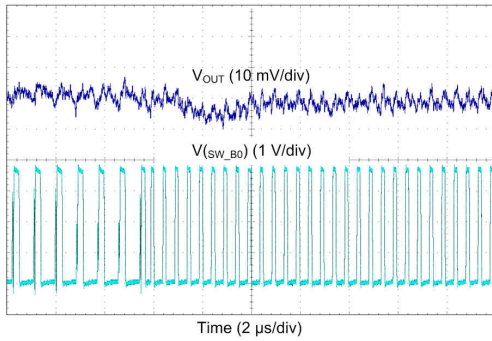


Figure 8-28. Buck Transient From PFM-to-PWM Mode (Single-Phase Output)

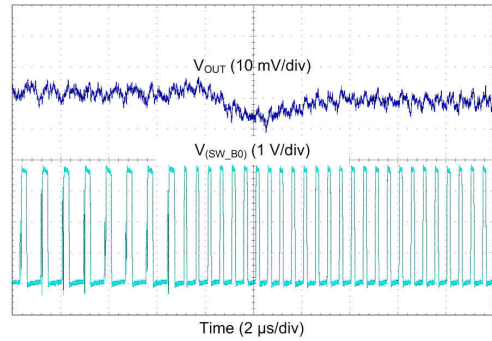


Figure 8-29. Buck Transient From PFM-to-PWM Mode (Dual-Phase Output)

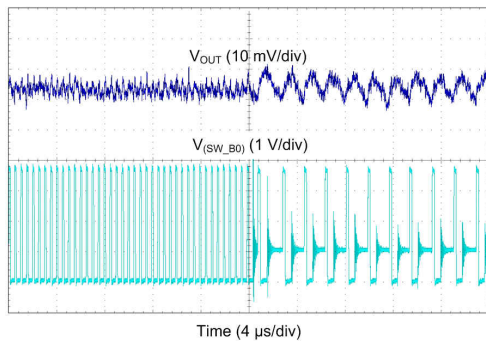


Figure 8-30. Buck Transient From PWM-to-PFM Mode (Single-Phase Output)

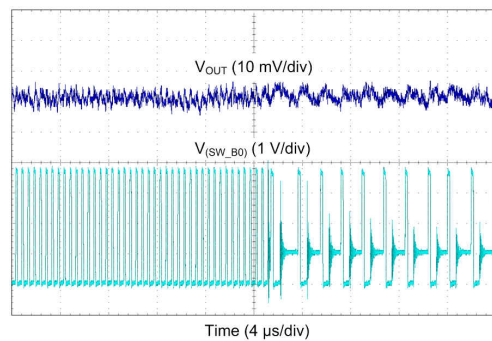


Figure 8-31. Buck Transient From PWM-to-PFM Mode (Dual-Phase Output)

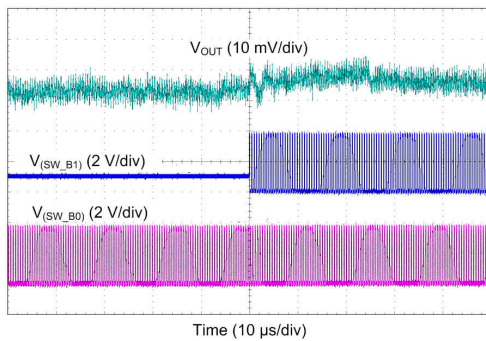


Figure 8-32. Buck Transient From 1-Phase to 2-Phase Operation (Dual-Phase Output)

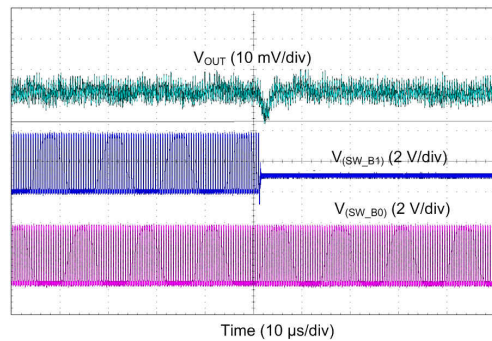
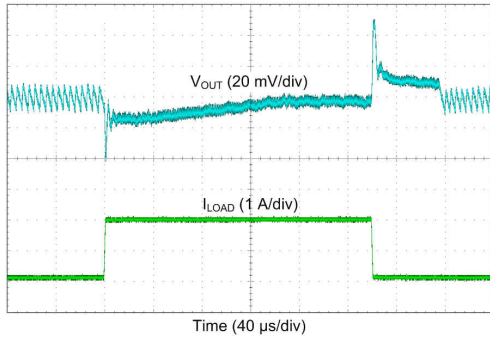
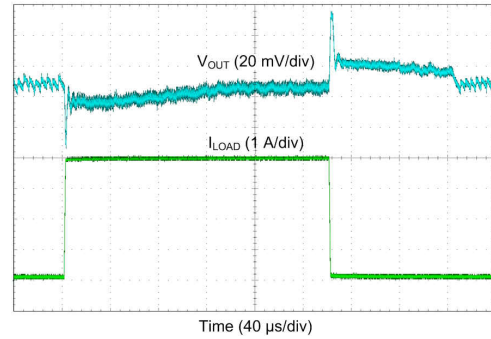


Figure 8-33. Buck Transient From 2-Phase to 1-Phase Operation (Dual-Phase Output)



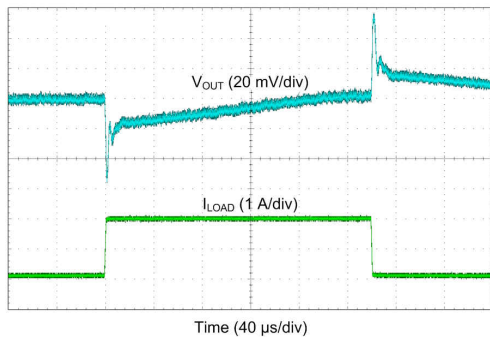
$I_{OUT} = 0.1\text{ A} \rightarrow 2\text{ A} \rightarrow 0.1\text{ A}$ $T_R = T_F = 400\text{ ns}$

Figure 8-34. Buck Transient Load Step Response, AUTO Mode (Single-Phase Output)



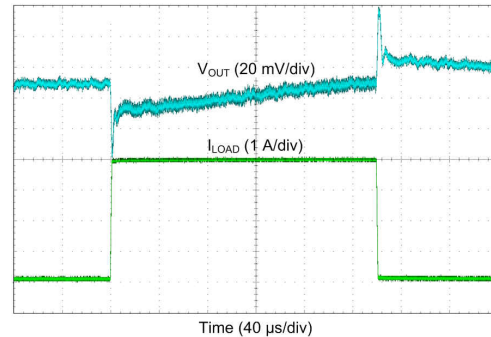
$I_{OUT} = 0.1\text{ A} \rightarrow 4\text{ A} \rightarrow 0.1\text{ A}$ $T_R = T_F = 400\text{ ns}$

Figure 8-35. Buck Transient Load Step Response, AUTO Mode (Dual-Phase Output)



$I_{OUT} = 0.1\text{ A} \rightarrow 2\text{ A} \rightarrow 0.1\text{ A}$ $T_R = T_F = 400\text{ ns}$

Figure 8-36. Buck Transient Load Step Response, Forced PWM Mode (Single-Phase Output)



$I_{OUT} = 0.1\text{ A} \rightarrow 4\text{ A} \rightarrow 0.1\text{ A}$ $T_R = T_F = 400\text{ ns}$

Figure 8-37. Buck Transient Load Step Response, Forced PWM Mode (Dual-Phase Output)

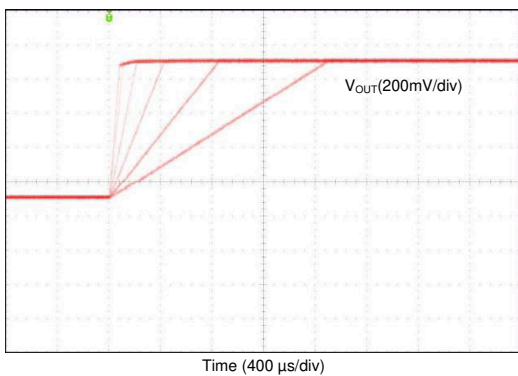


Figure 8-38. Buck V_{OUT} Transition from 0.6 V to 1.4 V With Different Slew Rate Settings

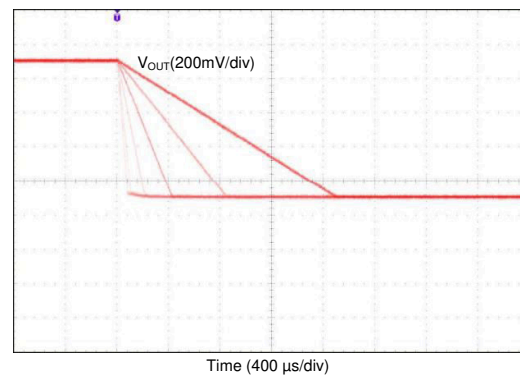


Figure 8-39. Buck V_{OUT} Transition from 1.4 V to 0.6 V With Different Slew Rate Settings

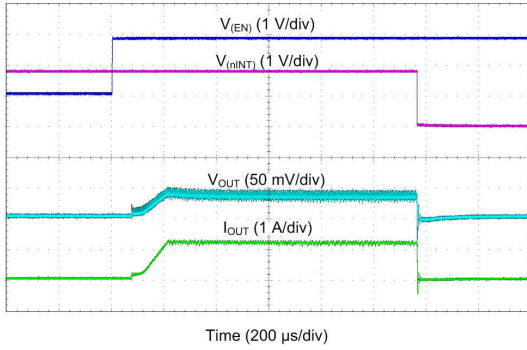


Figure 8-40. Buck Start-Up With Short on Output (Single-Phase Output)

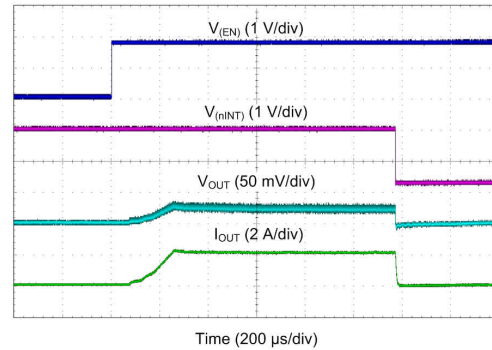


Figure 8-41. Buck Start-Up With Short on Output (Dual-Phase Output)

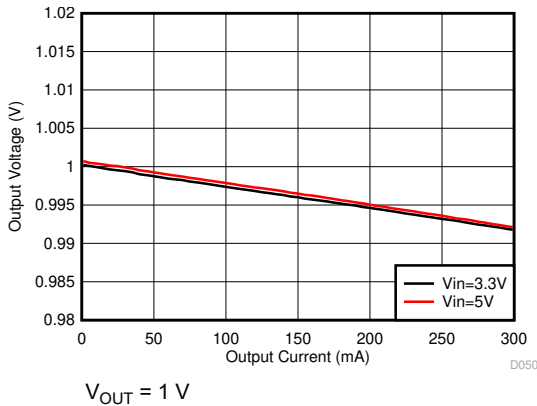


Figure 8-42. LDO Output Voltage vs Load Current

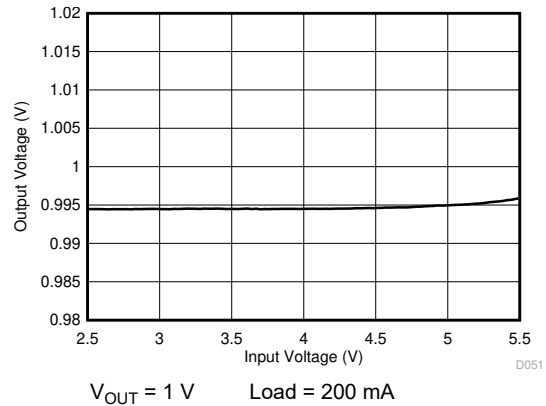


Figure 8-43. LDO Output Voltage vs Input Voltage

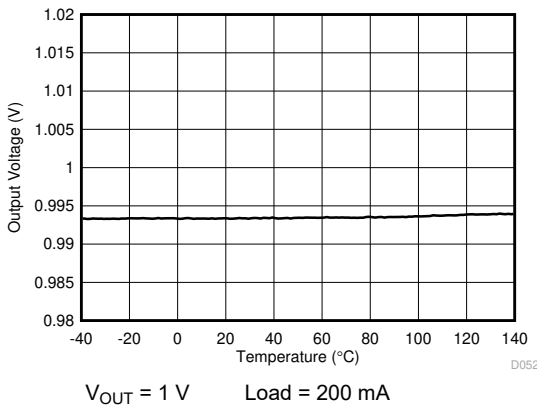


Figure 8-44. LDO Output Voltage vs Temperature

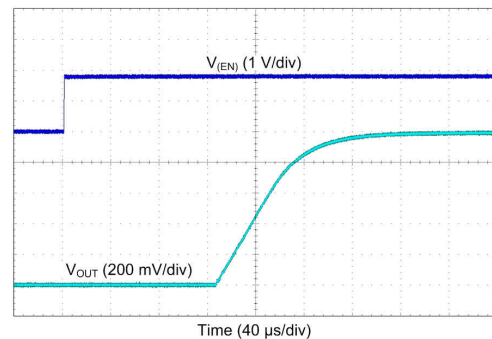
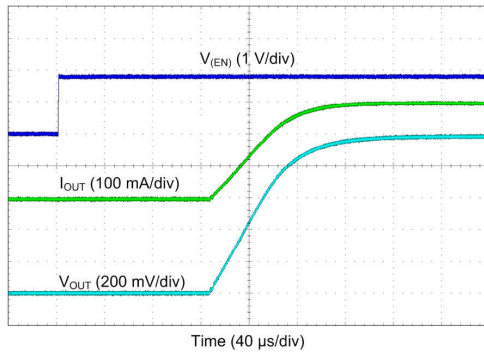
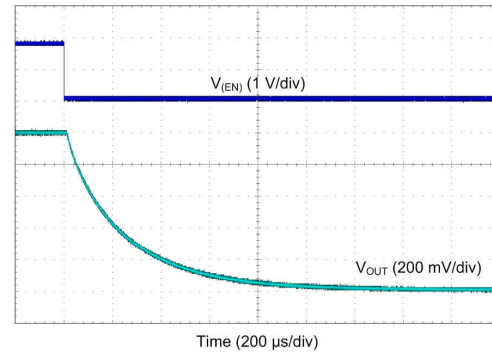
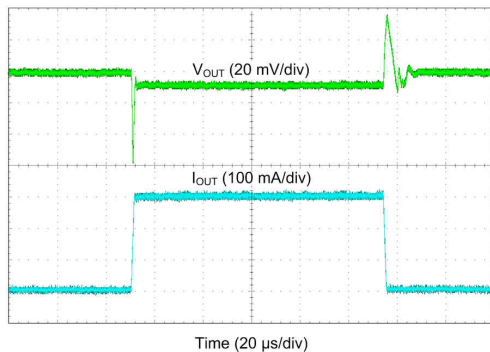
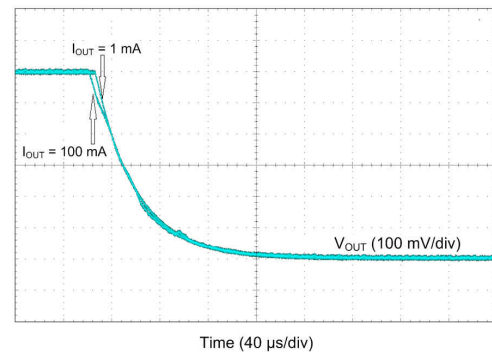
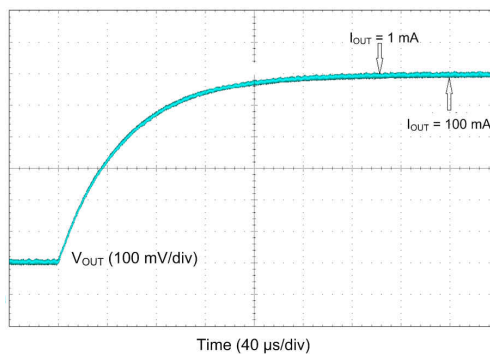
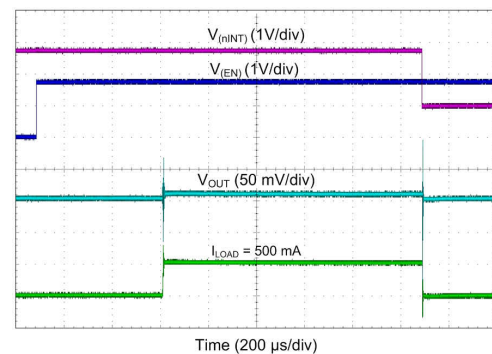


Figure 8-45. LDO Start-Up


 $R_{LOAD} = 3.3 \Omega$ $V_{OUT} = 1 V$
Figure 8-46. LDO Start-Up

 $I_{LOAD} = 0 A$ $V_{OUT} = 1 V$
Figure 8-47. LDO Shutdown

 $I_{OUT} = 0 A \rightarrow 0.3 A \rightarrow 0 A$ $T_R = T_F = 1 \mu s$
Figure 8-48. LDO Transient Load Step Response

Figure 8-49. LDO V_{OUT} Transition from 1.8 V to 1.2 V

Figure 8-50. LDO V_{OUT} Transition from 1.2 V to 1.8 V

 Start-up
delay is 500
 μs
Figure 8-51. LDO Start-Up With Short on Output

9 Power Supply Recommendations

The device is designed to operate from an input voltage supply range between 2.8 V and 5.5 V. The VANA input and VIN_Bx buck inputs must be connected together, and they must use the same input supply. This input supply must be well regulated and able to withstand maximum input current and maintain stable voltage without voltage drop even at load transition condition. The resistance of the input supply rail must be low enough that the input current transient does not cause too high a drop in the LP8732xx-Q1 supply voltage that can cause false UVLO fault triggering. If the input supply is located more than a few inches from the LP8732xx-Q1, additional bulk capacitance may be required in addition to the ceramic bypass capacitors. The VIN_LDOx LDO input supply voltage range is 2.5 V to 5.5 V and can be higher or lower than VANA supply voltage.

10 Layout

10.1 Layout Guidelines

The high frequency and large switching currents of the LP8732xx-Q1 make the choice of layout important. Good power supply results only occur when care is given to proper design and layout. Layout affects noise pickup and generation and can cause a good design to perform with less-than-expected results. With a range of output currents from milliamps to several amps, good power supply layout is much more difficult than most general PCB design. Use the following steps as a reference to ensure the device is stable and maintains proper voltage and current regulation across its intended operating voltage and current range.

1. Place C_{IN} as close as possible to the VIN_Bx pin and the PGND_Bx pin. Route the V_{IN} trace wide and thick to avoid IR drops. The trace between the positive node of the input capacitor and the VIN_Bx pins of LP8732xx-Q1, as well as the trace between the negative node of the input capacitor and the power PGND_Bx pins, must be kept as short as possible. The input capacitance provides a low-impedance voltage source for the switching converter. The inductance of the connection is the most important parameter of a local decoupling capacitor — parasitic inductance on these traces must be kept as small as possible for proper device operation. The parasitic inductance can be reduced by using a ground plane as close as possible to the top layer by using thin dielectric layer between the top layer and the ground plane.
2. The output filter, consisting of L and COUT, converts the switching signal at SW_Bx to the noiseless output voltage. The output filter must be placed as close as possible to the device, keeping the switch node small for best EMI behavior. Route the traces between the output capacitors of the LP8732xx-Q1 and the input capacitors of the load direct and wide to avoid losses due to the IR drop.
3. Input for analog blocks (VANA and AGND) must be isolated from noisy signals. Connect VANA directly to a quiet system voltage node and AGND to a quiet ground point where no IR drop occurs. Place the decoupling capacitor as close as possible to the VANA pin.
4. If remote voltage sensing can be used for the load, connect the LP8732xx-Q1 feedback pins FB_Bx to the respective sense pins on the load capacitor. The sense lines are susceptible to noise. They must be kept away from noisy signals such as PGND_Bx, VIN_Bx, and SW_Bx, as well as high bandwidth signals such as the I²C. Avoid both capacitive and inductive coupling by keeping the sense lines short and direct, and close to each other. Run the lines in a quiet layer. Isolate them from noisy signals by a voltage or ground plane if possible. If series resistors are used for load current measurement, place them after connection of the voltage feedback.
5. PGND_Bx, VIN_Bx and SW_Bx must be routed on thick layers. They must not surround inner signal layers which are not able to withstand interference from noisy PGND_Bx, VIN_Bx and SW_Bx.
6. LDO performance (PSRR, noise, and transient response) depend on the layout of the PCB. Best performance is achieved by placing CIN and COUT as close to the LP8732xx-Q1 device as practical. The ground connections for CIN and COUT must be back to the LP8732xx-Q1 AGND with as wide and as short of a copper trace as is practical and with multiple vias if routing is done on other layer. Avoid connections using long trace lengths, narrow trace widths, or connection through small via. These add parasitic inductances and resistance that results in inferior performance, especially during transient conditions.

Due to the small package of this converter and the overall small solution size, the thermal performance of the PCB layout is important. Many system-dependent issues such as thermal coupling, airflow, added heat sinks and convection surfaces, and the presence of other heat-generating components affect the power dissipation limits of a given component. Proper PCB layout, focusing on thermal performance, results in lower die temperatures. Wide power traces can sink dissipated heat. This can be improved further on multi-layer PCB designs with vias to different planes. This results in reduced junction-to-ambient ($R_{\theta JA}$) and junction-to-board ($R_{\theta JB}$) thermal resistances, thereby reducing the device junction temperature, T_J . TI strongly recommends performance of a careful system-level 2D or full 3D dynamic thermal analysis at the beginning product design process by using a thermal modeling analysis software.

10.2 Layout Example

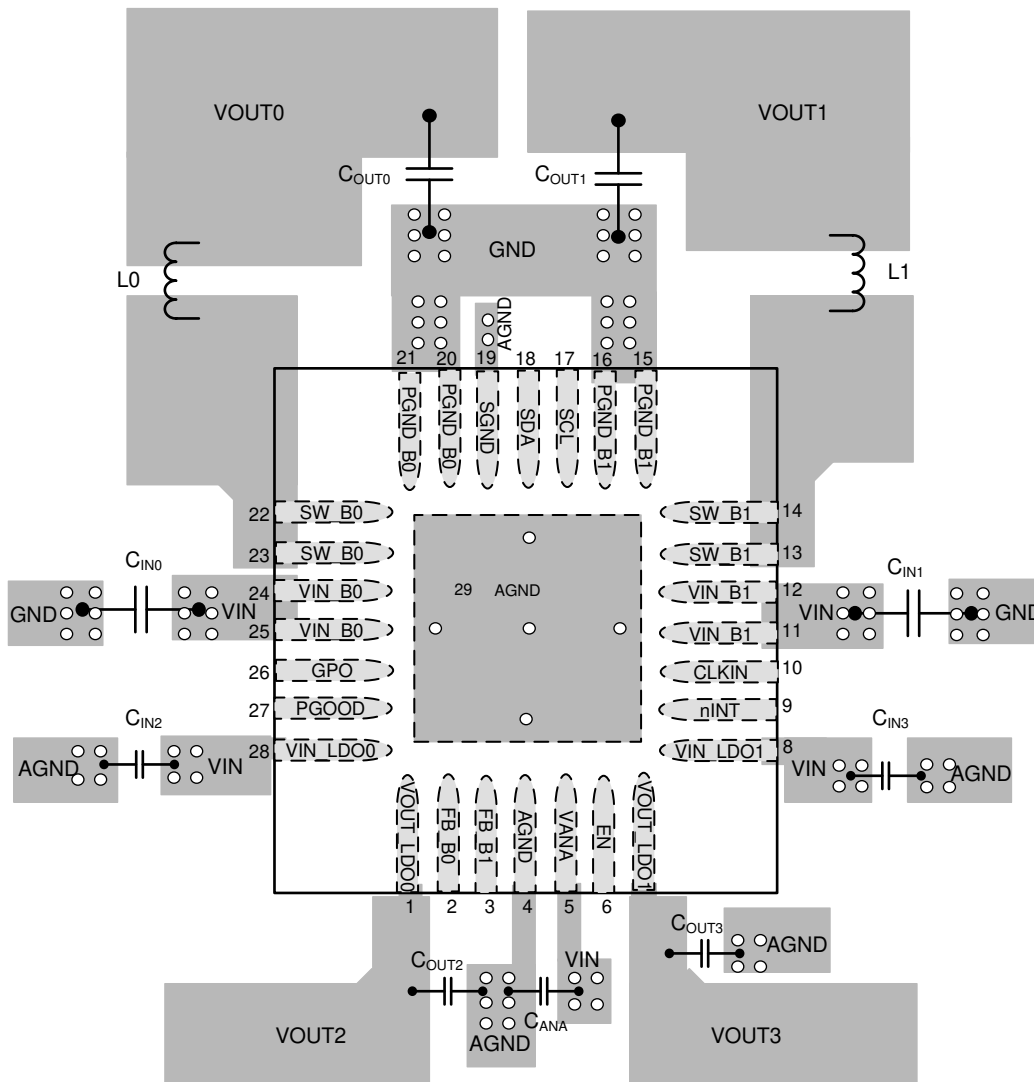


Figure 10-1. LP8732xx-Q1 Board Layout

In dual-phase buck configuration, short VOUT0 and VOUT1 together.

11 Device and Documentation Support

11.1 Device Support

11.1.1 Third-Party Products Disclaimer

TI'S PUBLICATION OF INFORMATION REGARDING THIRD-PARTY PRODUCTS OR SERVICES DOES NOT CONSTITUTE AN ENDORSEMENT REGARDING THE SUITABILITY OF SUCH PRODUCTS OR SERVICES OR A WARRANTY, REPRESENTATION OR ENDORSEMENT OF SUCH PRODUCTS OR SERVICES, EITHER ALONE OR IN COMBINATION WITH ANY TI PRODUCT OR SERVICE.

11.2 Receiving Notification of Documentation Updates

To receive notification of documentation updates, navigate to the device product folder on ti.com. In the upper right corner, click on *Alert me* to register and receive a weekly digest of any product information that has changed. For change details, review the revision history included in any revised document.

11.3 Support Resources

[TI E2E™ support forums](#) are an engineer's go-to source for fast, verified answers and design help — straight from the experts. Search existing answers or ask your own question to get the quick design help you need.

Linked content is provided "AS IS" by the respective contributors. They do not constitute TI specifications and do not necessarily reflect TI's views; see TI's [Terms of Use](#).

11.4 Trademarks

TI E2E™ is a trademark of Texas Instruments.
All trademarks are the property of their respective owners.

11.5 Electrostatic Discharge Caution



This integrated circuit can be damaged by ESD. Texas Instruments recommends that all integrated circuits be handled with appropriate precautions. Failure to observe proper handling and installation procedures can cause damage.

ESD damage can range from subtle performance degradation to complete device failure. Precision integrated circuits may be more susceptible to damage because very small parametric changes could cause the device not to meet its published specifications.

11.6 Glossary

[TI Glossary](#) This glossary lists and explains terms, acronyms, and definitions.

12 Mechanical, Packaging, and Orderable Information

The following pages include mechanical, packaging, and orderable information. This information is the most current data available for the designated devices. This data is subject to change without notice and revision of this document. For browser-based versions of this data sheet, refer to the left-hand navigation.

PACKAGING INFORMATION

| Orderable Device | Status (1) | Package Type | Package Drawing | Pins | Package Qty | Eco Plan (2) | Lead finish/ Ball material (6) | MSL Peak Temp (3) | Op Temp (°C) | Device Marking (4/5) | Samples |
|------------------|---------------|--------------|-----------------|------|-------------|-----------------|--------------------------------------|----------------------|--------------|-------------------------|-------------------------|
| LP873200RHDRQ1 | ACTIVE | VQFN | RHD | 28 | 3000 | RoHS & Green | NIPDAU SN | Level-2-260C-1 YEAR | -40 to 125 | LP8732 00-Q1 | Samples |
| LP873200RHDTQ1 | ACTIVE | VQFN | RHD | 28 | 250 | RoHS & Green | NIPDAU SN | Level-2-260C-1 YEAR | -40 to 125 | LP8732 00-Q1 | Samples |
| LP873244RHDRQ1 | ACTIVE | VQFN | RHD | 28 | 3000 | RoHS & Green | NIPDAU SN | Level-2-260C-1 YEAR | -40 to 125 | LP8732 44-Q1 | Samples |
| LP873244RHDTQ1 | ACTIVE | VQFN | RHD | 28 | 250 | RoHS & Green | NIPDAU SN | Level-2-260C-1 YEAR | -40 to 125 | LP8732 44-Q1 | Samples |
| LP873245RHDRQ1 | ACTIVE | VQFN | RHD | 28 | 3000 | RoHS & Green | SN | Level-2-260C-1 YEAR | -40 to 125 | LP8732 45-Q1 | Samples |
| LP873248RHDRQ1 | ACTIVE | VQFN | RHD | 28 | 3000 | RoHS & Green | NIPDAU SN | Level-2-260C-1 YEAR | -40 to 125 | LP8732 48-Q1 | Samples |

(1) The marketing status values are defined as follows:

ACTIVE: Product device recommended for new designs.

LIFEBUY: TI has announced that the device will be discontinued, and a lifetime-buy period is in effect.

NRND: Not recommended for new designs. Device is in production to support existing customers, but TI does not recommend using this part in a new design.

PREVIEW: Device has been announced but is not in production. Samples may or may not be available.

OBsolete: TI has discontinued the production of the device.

(2) **RoHS:** TI defines "RoHS" to mean semiconductor products that are compliant with the current EU RoHS requirements for all 10 RoHS substances, including the requirement that RoHS substance do not exceed 0.1% by weight in homogeneous materials. Where designed to be soldered at high temperatures, "RoHS" products are suitable for use in specified lead-free processes. TI may reference these types of products as "Pb-Free".

RoHS Exempt: TI defines "RoHS Exempt" to mean products that contain lead but are compliant with EU RoHS pursuant to a specific EU RoHS exemption.

Green: TI defines "Green" to mean the content of Chlorine (Cl) and Bromine (Br) based flame retardants meet JS709B low halogen requirements of <=1000ppm threshold. Antimony trioxide based flame retardants must also meet the <=1000ppm threshold requirement.

(3) MSL, Peak Temp. - The Moisture Sensitivity Level rating according to the JEDEC industry standard classifications, and peak solder temperature.

(4) There may be additional marking, which relates to the logo, the lot trace code information, or the environmental category on the device.

(5) Multiple Device Markings will be inside parentheses. Only one Device Marking contained in parentheses and separated by a "~" will appear on a device. If a line is indented then it is a continuation of the previous line and the two combined represent the entire Device Marking for that device.

⁽⁶⁾ Lead finish/Ball material - Orderable Devices may have multiple material finish options. Finish options are separated by a vertical ruled line. Lead finish/Ball material values may wrap to two lines if the finish value exceeds the maximum column width.

Important Information and Disclaimer:The information provided on this page represents TI's knowledge and belief as of the date that it is provided. TI bases its knowledge and belief on information provided by third parties, and makes no representation or warranty as to the accuracy of such information. Efforts are underway to better integrate information from third parties. TI has taken and continues to take reasonable steps to provide representative and accurate information but may not have conducted destructive testing or chemical analysis on incoming materials and chemicals. TI and TI suppliers consider certain information to be proprietary, and thus CAS numbers and other limited information may not be available for release.

In no event shall TI's liability arising out of such information exceed the total purchase price of the TI part(s) at issue in this document sold by TI to Customer on an annual basis.

TAPE AND REEL INFORMATION

QUADRANT ASSIGNMENTS FOR PIN 1 ORIENTATION IN TAPE


*All dimensions are nominal

| Device | Package Type | Package Drawing | Pins | SPQ | Reel Diameter (mm) | Reel Width W1 (mm) | A0 (mm) | B0 (mm) | K0 (mm) | P1 (mm) | W (mm) | Pin1 Quadrant |
|----------------|--------------|-----------------|------|------|--------------------|--------------------|---------|---------|---------|---------|--------|---------------|
| LP873200RHDRQ1 | VQFN | RHD | 28 | 3000 | 330.0 | 12.4 | 5.3 | 5.3 | 1.1 | 8.0 | 12.0 | Q2 |
| LP873200RHDTQ1 | VQFN | RHD | 28 | 250 | 180.0 | 12.4 | 5.3 | 5.3 | 1.1 | 8.0 | 12.0 | Q2 |
| LP873244RHDRQ1 | VQFN | RHD | 28 | 3000 | 330.0 | 12.4 | 5.3 | 5.3 | 1.1 | 8.0 | 12.0 | Q2 |
| LP873244RHDTQ1 | VQFN | RHD | 28 | 250 | 180.0 | 12.4 | 5.3 | 5.3 | 1.1 | 8.0 | 12.0 | Q2 |
| LP873245RHDRQ1 | VQFN | RHD | 28 | 3000 | 330.0 | 12.4 | 5.25 | 5.25 | 1.1 | 8.0 | 12.0 | Q2 |
| LP873248RHDRQ1 | VQFN | RHD | 28 | 3000 | 330.0 | 12.4 | 5.3 | 5.3 | 1.1 | 8.0 | 12.0 | Q2 |

TAPE AND REEL BOX DIMENSIONS


*All dimensions are nominal

| Device | Package Type | Package Drawing | Pins | SPQ | Length (mm) | Width (mm) | Height (mm) |
|----------------|--------------|-----------------|------|------|-------------|------------|-------------|
| LP873200RHDRQ1 | VQFN | RHD | 28 | 3000 | 367.0 | 367.0 | 35.0 |
| LP873200RHDTQ1 | VQFN | RHD | 28 | 250 | 210.0 | 185.0 | 35.0 |
| LP873244RHDRQ1 | VQFN | RHD | 28 | 3000 | 367.0 | 367.0 | 35.0 |
| LP873244RHDTQ1 | VQFN | RHD | 28 | 250 | 210.0 | 185.0 | 35.0 |
| LP873245RHDRQ1 | VQFN | RHD | 28 | 3000 | 367.0 | 367.0 | 38.0 |
| LP873248RHDRQ1 | VQFN | RHD | 28 | 3000 | 367.0 | 367.0 | 35.0 |

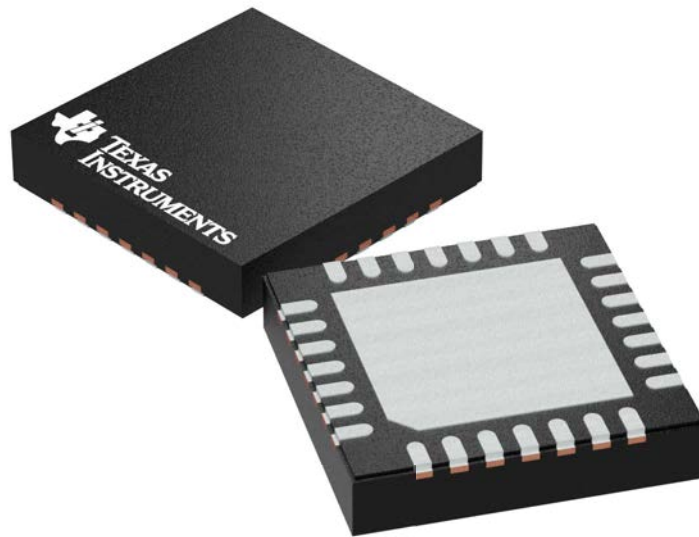
GENERIC PACKAGE VIEW

RHD 28

VQFN - 1 mm max height

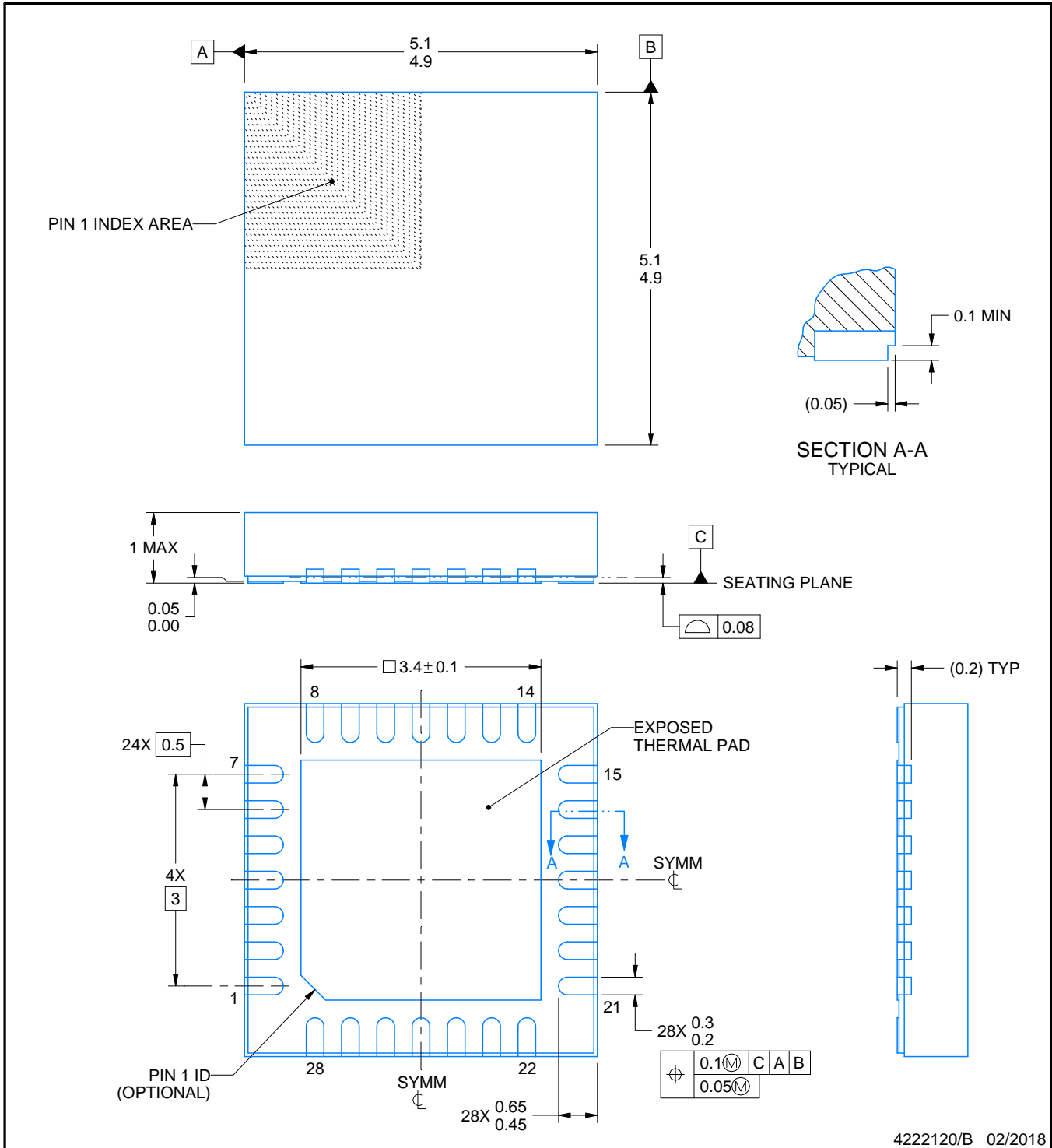
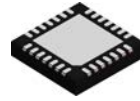
5 x 5 mm, 0.5 mm pitch

PLASTIC QUAD FLATPACK - NO LEAD



Images above are just a representation of the package family, actual package may vary.
Refer to the product data sheet for package details.

4204400/G



4222120/B 02/2018

NOTES:

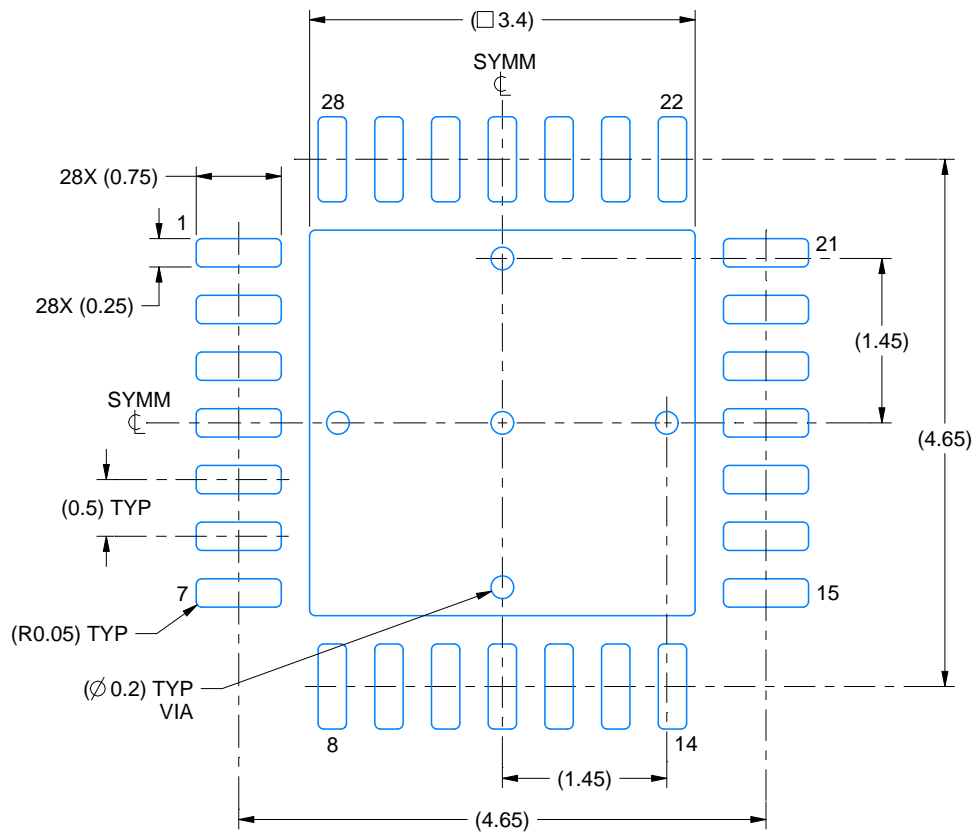
1. All linear dimensions are in millimeters. Any dimensions in parenthesis are for reference only. Dimensioning and tolerancing per ASME Y14.5M.
2. This drawing is subject to change without notice.
3. The package thermal pad must be soldered to the printed circuit board for thermal and mechanical performance.

EXAMPLE BOARD LAYOUT

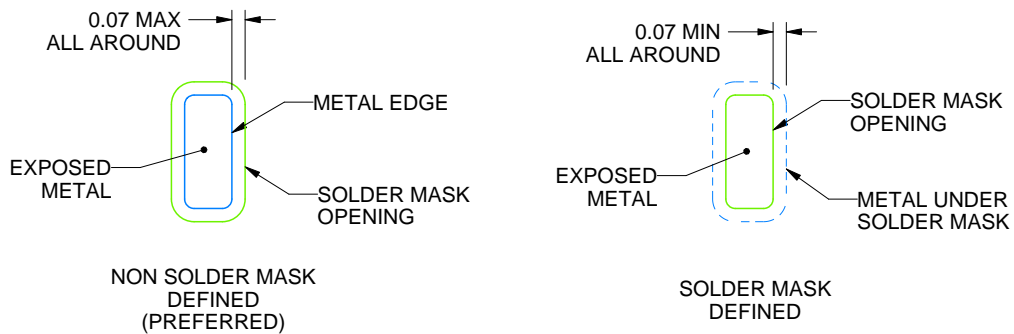
RHD0028W

VQFN - 1 mm max height

PLASTIC QUAD FLATPACK - NO LEAD



LAND PATTERN EXAMPLE
EXPOSED METAL SHOWN
SCALE:15X



SOLDER MASK DETAILS

4222120/B 02/2018

NOTES: (continued)

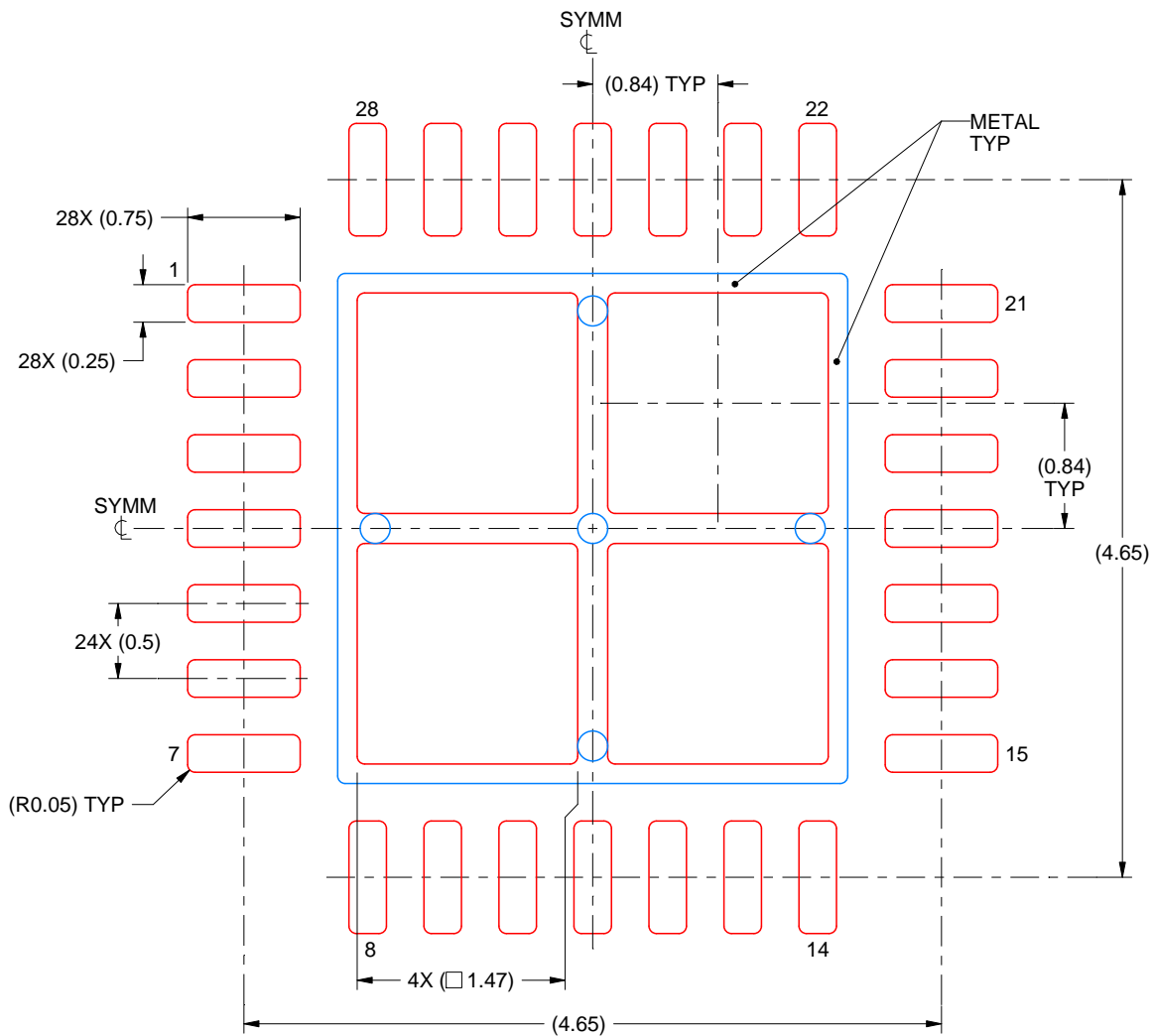
- This package is designed to be soldered to a thermal pad on the board. For more information, see Texas Instruments literature number SLUA271 (www.ti.com/lit/sluea271).

EXAMPLE STENCIL DESIGN

RHD0028W

VQFN - 1 mm max height

PLASTIC QUAD FLATPACK - NO LEAD



SOLDER PASTE EXAMPLE
BASED ON 0.125 mm THICK STENCIL
EXPOSED PAD
75% PRINTED SOLDER COVERAGE BY AREA
SCALE:20X

4222120/B 02/2018

NOTES: (continued)

5. Laser cutting apertures with trapezoidal walls and rounded corners may offer better paste release. IPC-7525 may have alternate design recommendations.

IMPORTANT NOTICE AND DISCLAIMER

TI PROVIDES TECHNICAL AND RELIABILITY DATA (INCLUDING DATA SHEETS), DESIGN RESOURCES (INCLUDING REFERENCE DESIGNS), APPLICATION OR OTHER DESIGN ADVICE, WEB TOOLS, SAFETY INFORMATION, AND OTHER RESOURCES "AS IS" AND WITH ALL FAULTS, AND DISCLAIMS ALL WARRANTIES, EXPRESS AND IMPLIED, INCLUDING WITHOUT LIMITATION ANY IMPLIED WARRANTIES OF MERCHANTABILITY, FITNESS FOR A PARTICULAR PURPOSE OR NON-INFRINGEMENT OF THIRD PARTY INTELLECTUAL PROPERTY RIGHTS.

These resources are intended for skilled developers designing with TI products. You are solely responsible for (1) selecting the appropriate TI products for your application, (2) designing, validating and testing your application, and (3) ensuring your application meets applicable standards, and any other safety, security, regulatory or other requirements.

These resources are subject to change without notice. TI grants you permission to use these resources only for development of an application that uses the TI products described in the resource. Other reproduction and display of these resources is prohibited. No license is granted to any other TI intellectual property right or to any third party intellectual property right. TI disclaims responsibility for, and you will fully indemnify TI and its representatives against, any claims, damages, costs, losses, and liabilities arising out of your use of these resources.

TI's products are provided subject to [TI's Terms of Sale](#) or other applicable terms available either on [ti.com](https://www.ti.com) or provided in conjunction with such TI products. TI's provision of these resources does not expand or otherwise alter TI's applicable warranties or warranty disclaimers for TI products.

TI objects to and rejects any additional or different terms you may have proposed.

Mailing Address: Texas Instruments, Post Office Box 655303, Dallas, Texas 75265
Copyright © 2023, Texas Instruments Incorporated