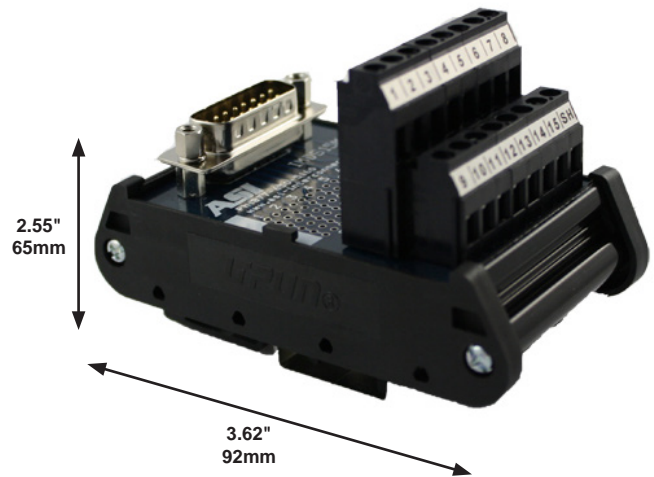


## IMDS Cable to Wire Transition Interface Modules

The IMDS Series provides a transition from standard multi-pin D-SUB connector to individually wired terminal blocks. Modules are available in 9 to 50 pin versions with male and female D-SUB connectors. Connectors are equipped with threaded locking inserts to ensure cables are secured to the module. The IMDS Series is available with either fixed mounted terminals or two-part pluggable terminals. Each module is also equipped with a series of plated through holes to allow for addition of electronic components in the circuit.



SPECIFICATIONS	WIRE RANGE	CURRENT	VOLTAGE
Capacity	26 - 12 AWG	2.5 A	125 VAC

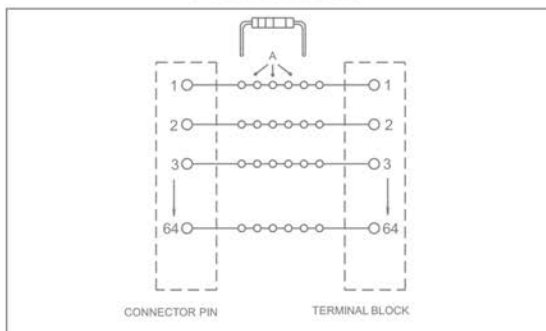
  

ORDERING INFORMATION	FIXED D-SUB MODULE		
D-SUB to terminal block modules	TYPE	CATALOG No.	LENGTH (L)
	MALE		
9 pin male	IMDS 09M	11000	1.48" (37.5mm)
15 pin	IMDS 15M	11002	1.99" (50.6mm)
25 pin	IMDS 25M	11004	2.99" (76.0mm)
37 pin	IMDS 37M	11006	4.19" (106.4mm)
50 pin	IMDS 50M	11008	5.59" (142.0mm)
	FEMALE		
9 pin female	IMDS 09F	11001	1.48" (37.5mm)
15 pin	IMDS 15F	11003	1.99" (50.6mm)
25 pin	IMDS 25F	11005	2.99" (76.0mm)
37 pin	IMDS 37F	11007	4.19" (106.4mm)
50 pin	IMDS 50F	11009	5.59" (142.0mm)

ACCESSORIES	TYPE	CATALOG No.	Pcs/PKG
Panel mounting ears	ET-PME	20373	10
End stop width .31" (8mm) universal	BTU	ASIUD1B	2
DIN Rail (1 meter length)			
non-slotted symmetrical 35mm x 7.5mm	PR/3/AC	PR003-1M	2
slotted symmetrical 35mm x 7.5mm	PR/3/AS	PR005-1M	2
non-slotted symmetrical 35mm x 15mm	PR/3/PP	PR007-1M	2
slotted symmetrical 35mm x 15mm	PR/3/PA	PR006-1M	2

TYPICAL SCHEMATIC



Component mounting holes located on each trace at 0.1" centers allow customers to insert components in parallel or series. To place a component in series customer removes trace (A) between component mounting holes under added component. The traces are located on the bottom side of the printed circuit board.