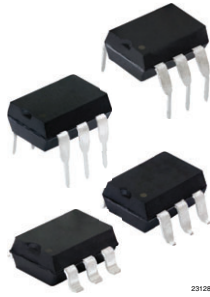
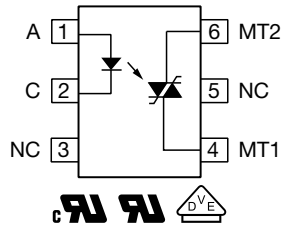


# Optocoupler, Phototriac Output, High dV/dt, Low Input Current



23128



## FEATURES

- Low trigger current  $I_{FT} = 1 \text{ mA}$  (typ.)
- $I_{TRMS} = 300 \text{ mA}$
- High static  $dV/dt \geq 10\,000 \text{ V}/\mu\text{s}$
- Load voltage up to 800 V
- Material categorization:  
for definitions of compliance please see [www.vishay.com/doc?99912](http://www.vishay.com/doc?99912)


**RoHS**  
COMPLIANT

## LINKS TO ADDITIONAL RESOURCES



3D Models



Design Tools



Related Documents



SPICE Models



Footprints



Schematics

## DESCRIPTION

The IL420 and IL4208 consists of an optically coupled GaAs IRLED to a photosensitive thyristor system with integrated noise suppression and non-zero crossing functionality. The thyristor system enables low trigger currents of 1 mA and features a  $dV/dt$  ratio of greater than 10  $\text{kV}/\mu\text{s}$  and load voltages up to 800 V.

The IL420 and IL4208 are a perfect microcontroller friendly solution to isolate low-voltage logic from high voltage 120  $V_{AC}$ , 240  $V_{AC}$ , and 380  $V_{AC}$  lines and to control resistive, inductive, or capacitive AC loads like motors, solenoids, high power thyristors, or TRIACs and solid-state relays.

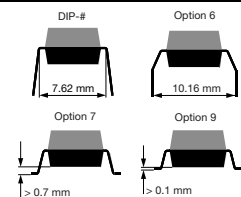
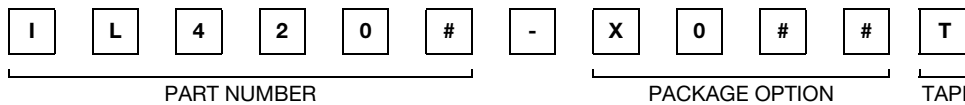
## APPLICATIONS

- Solid state relays
- Industrial controls
- Office equipment
- Consumer appliances

## AGENCY APPROVALS

- [UL 1577](#)
- [cUL](#)
- [DIN EN 60747-5-5 \(VDE 0884-5\)](#), available with option 1
- [FIMKO](#)

## ORDERING INFORMATION



| AGENCY CERTIFIED / PACKAGE | PEAK OFF-STATE VOLTAGE $V_{DRM}$ (V) |                             |
|----------------------------|--------------------------------------|-----------------------------|
|                            | 600                                  | 800                         |
| <b>UL, cUL, CQC</b>        |                                      |                             |
| DIP-6                      | IL420                                | IL4208                      |
| DIP-6, 400 mil, option 6   | IL420-X006                           | -                           |
| SMD-6, option 7            | IL420-X007T <sup>(1)</sup>           | IL4208-X007T <sup>(1)</sup> |
| SMD-6, option 9            | IL420-X009T <sup>(1)</sup>           | IL4208-X009T <sup>(1)</sup> |
| <b>VDE, UL, cUL, CQC</b>   | <b>600</b>                           | <b>800</b>                  |
| DIP-6                      | IL420-X001                           | -                           |
| DIP-6, 400 mil, option 6   | IL420-X016                           | -                           |
| SMD-6, option 7            | IL420-X017T <sup>(1)</sup>           | IL4208-X017T                |

### Notes

- <sup>(1)</sup> Also available in tubes, do not put T on the end
- Additional options may be possible, please contact sales office



| ABSOLUTE MAXIMUM RATINGS ( $T_{amb} = 25\text{ }^{\circ}\text{C}$ , unless otherwise specified) |  |        |            |             |       |
|---|--|--------|------------|-------------|-------|
| PARAMETER   | TEST CONDITION   | PART   | SYMBOL     | VALUE       | UNIT  |
| <b>INPUT</b>  |  |        |            |             |       |
| Reverse voltage   |  |        | $V_R$      | 6           | V     |
| Forward current   |  |        | $I_F$      | 60          | mA    |
| Surge current   |  |        | $I_{FSM}$  | 2.5         | A     |
| Power dissipation   |  |        | $P_{diss}$ | 100         | mW    |
| Derate from 25 °C   |  |        |            | 1.33        | mW/°C |
| <b>OUTPUT</b>   |  |        |            |             |       |
| Peak off-state voltage  |  | IL420  | $V_{DRM}$  | 600         | V     |
|   |  | IL4208 | $V_{DRM}$  | 800         | V     |
| RMS on-state current  |  |        | $I_{TM}$   | 300         | mA    |
| Single cycle surge current  |  |        | $I_{TSM}$  | 3           | A     |
| Power dissipation   |  |        | $P_{diss}$ | 500         | mW    |
| Derate from 25 °C   |  |        |            | 6.6         | mW/°C |
| <b>COUPLER</b>  |  |        |            |             |       |
| Storage temperature range   |  |        | $T_{stg}$  | -55 to +150 | °C    |
| Ambient temperature range   |  |        | $T_{amb}$  | -55 to +100 | °C    |
| Soldering temperature   | max. $\leq 10$ s dip soldering<br>$\geq 0.5$ mm from case bottom |        | $T_{sld}$  | 260         | °C    |

**Note**

- Stresses in excess of the absolute maximum ratings can cause permanent damage to the device. Functional operation of the device is not implied at these or any other conditions in excess of those given in the operational sections of this document. Exposure to absolute maximum ratings for extended periods of the time can adversely affect reliability.

| ELECTRICAL CHARACTERISTICS ( $T_{amb} = 25\text{ }^{\circ}\text{C}$ , unless otherwise specified) |  |                            |        |      |      |                                |
|---|--|----------------------------|--------|------|------|--------------------------------|
| PARAMETER   | TEST CONDITION   | SYMBOL                     | MIN.   | TYP. | MAX. | UNIT                           |
| <b>INPUT</b>  |  |                            |        |      |      |                                |
| Forward voltage   | $I_F = 10\text{ mA}$   | $V_F$                      | -      | 1.16 | 1.35 | V                              |
| Reverse current   | $V_R = 6\text{ V}$   | $I_R$                      | -      | 0.1  | 10   | $\mu\text{A}$                  |
| Input capacitance   | $V_F = 0\text{ V}$ , $f = 1\text{ MHz}$  | $C_{IN}$                   | -      | 40   | -    | pF                             |
| Thermal resistance, junction to ambient   |  | $R_{thja}$                 | -      | 750  | -    | °C/W                           |
| <b>OUTPUT</b>   |  |                            |        |      |      |                                |
| Off-state current   | $V_D = V_{DRM}$ , $T_{amb} = 100\text{ }^{\circ}\text{C}$                              | $I_{DRM}$                  | -      | 10   | 100  | $\mu\text{A}$                  |
| On-state voltage  | $I_T = 300\text{ mA}$  | $V_{TM}$                   | -      | 1.7  | 3    | V                              |
| Surge (non-repetitive), on-state current  | $f = 50\text{ Hz}$   | $I_{TSM}$                  | -      | -    | 3    | A                              |
| Holding current   |  | $I_H$                      | -      | 65   | 500  | $\mu\text{A}$                  |
| Latching current  | $V_T = 2.2\text{ V}$   | $I_L$                      | -      | -    | 500  | $\mu\text{A}$                  |
| LED trigger current   | $V_D = 5\text{ V}$   | $I_{FT}$                   | -      | 1    | 2    | mA                             |
| Trigger current temperature gradient  |  | $\Delta I_{FT}/\Delta T_J$ | -      | 7    | 14   | $\mu\text{A}/^{\circ}\text{C}$ |
| Critical rate of rise off-state voltage   | $V_D = 0.67 V_{DRM}$ , $T_J = 25\text{ }^{\circ}\text{C}$                              | $dV/dt_{cr}$               | 10 000 | -    | -    | V/ $\mu\text{s}$               |
|   | $V_D = 0.67 V_{DRM}$ , $T_J = 80\text{ }^{\circ}\text{C}$                              | $dV/dt_{cr}$               | 5000   | -    | -    | V/ $\mu\text{s}$               |
| Critical rate of rise of voltage at current commutation   | $V_D = 230 V_{RMS}$ , $I_D = 300\text{ mA}_{RMS}$ , $T_J = 25\text{ }^{\circ}\text{C}$ | $dV/dt_{crq}$              | -      | 8    | -    | V/ $\mu\text{s}$               |
|   | $V_D = 230 V_{RMS}$ , $I_D = 300\text{ mA}_{RMS}$ , $T_J = 85\text{ }^{\circ}\text{C}$ | $dV/dt_{crq}$              | -      | 7    | -    | V/ $\mu\text{s}$               |
| Critical rate of rise of on-state current commutation   |  | $dI/dt_{crq}$              | -      | 12   | -    | A/ms                           |
| Thermal resistance, junction to ambient   |  | $R_{thja}$                 | -      | 150  | -    | °C/W                           |

| <b>ELECTRICAL CHARACTERISTICS</b> ( $T_{amb} = 25\text{ }^{\circ}\text{C}$ , unless otherwise specified) |  |          |      |      |      |                 |
|--|--|----------|------|------|------|-----------------|
| PARAMETER  | TEST CONDITION                                   | SYMBOL   | MIN. | TYP. | MAX. | UNIT            |
| <b>COUPLER</b>   |  |          |      |      |      |                 |
| Critical rate of rise of coupled input / output voltage  | $I_T = 0\text{ A}$ , $V_{RM} = V_{DM} = V_{DRM}$ | $dV/dt$  | -    | 5000 | -    | $V/\mu\text{s}$ |
| Capacitance (input to output)  | $f = 1\text{ MHz}$ , $V_{IO} = 0\text{ V}$       | $C_{IO}$ | -    | 0.8  | -    | $\text{pF}$     |

**Note**

- Minimum and maximum values are testing requirements. Typical values are characteristics of the device and are the result of engineering evaluation. Typical values are for information only and are not part of the testing requirements.

| <b>SWITCHING CHARACTERISTICS</b> ( $T_{amb} = 25\text{ }^{\circ}\text{C}$ , unless otherwise specified) |                             |          |      |      |      |               |
|---|-----------------------------|----------|------|------|------|---------------|
| PARAMETER   | TEST CONDITION              | SYMBOL   | MIN. | TYP. | MAX. | UNIT          |
| Turn-on time  | $V_{RM} = V_{DM} = V_{DRM}$ | $t_{on}$ | -    | 35   | -    | $\mu\text{s}$ |

| <b>SAFETY AND INSULATION RATINGS</b>         |   |            |                |                    |
|--|---|------------|----------------|--------------------|
| PARAMETER                                    | TEST CONDITION  | SYMBOL     | VALUE          | UNIT               |
| Climatic classification                      | According to IEC 68 part 1  |            | 55 / 100 / 21  |                    |
| Comparative tracking index                   |   | CTI        | 175            |                    |
| Maximum rated withstanding isolation voltage | $t = 1\text{ min}$  | $V_{ISO}$  | 4420           | $V_{RMS}$          |
| Maximum transient isolation voltage          |   | $V_{IOTM}$ | 8000           | $V_{peak}$         |
| Maximum repetitive peak isolation voltage    |   | $V_{IORM}$ | 890            | $V_{peak}$         |
| Isolation resistance                         | $V_{IO} = 500\text{ V}$ , $T_{amb} = 25\text{ }^{\circ}\text{C}$  | $R_{IO}$   | $\geq 10^{12}$ | $\Omega$           |
|  | $V_{IO} = 500\text{ V}$ , $T_{amb} = 100\text{ }^{\circ}\text{C}$ | $R_{IO}$   | $\geq 10^{11}$ | $\Omega$           |
| Output safety power                          |   | $P_{SO}$   | 500            | $\text{mW}$        |
| Input safety current                         |   | $I_{SI}$   | 250            | $\text{mA}$        |
| Safety temperature                           |   | $T_S$      | 175            | $^{\circ}\text{C}$ |
| Creepage distance                            | DIP-6; SMD-6, option 7;<br>SMD-6 option 9                         |            | $\geq 7$       | $\text{mm}$        |
| Clearance distance                           |   |            | $\geq 7$       | $\text{mm}$        |
| Creepage distance                            | DIP-6, option 6   |            | $\geq 8$       | $\text{mm}$        |
| Clearance distance                           |   |            | $\geq 8$       | $\text{mm}$        |
| Insulation thickness                         |   | DTI        | $\geq 0.4$     | $\text{mm}$        |

**Note**

- As per IEC 60747-5-5, § 7.4.3.8.2, this optocoupler is suitable for "safe electrical insulation" only within the safety ratings. Compliance with the safety ratings shall be ensured by means of protective circuits.

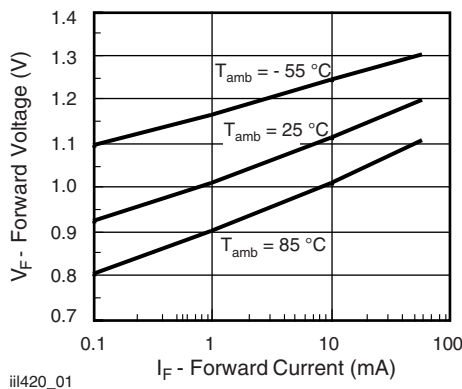
**TYPICAL CHARACTERISTICS** ( $T_{amb} = 25\text{ }^{\circ}\text{C}$ , unless otherwise specified)


Fig. 1 - Forward Voltage vs. Forward Current


 Fig. 2 - Peak LED Current vs. Duty Factor,  $\tau$

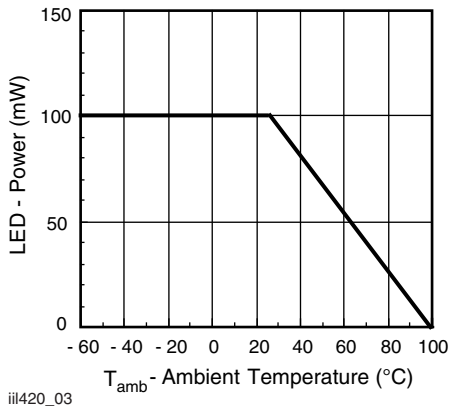


Fig. 3 - Maximum LED Power Dissipation

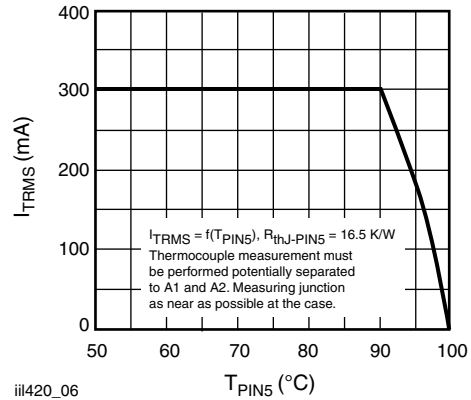


Fig. 6 - Current Reduction

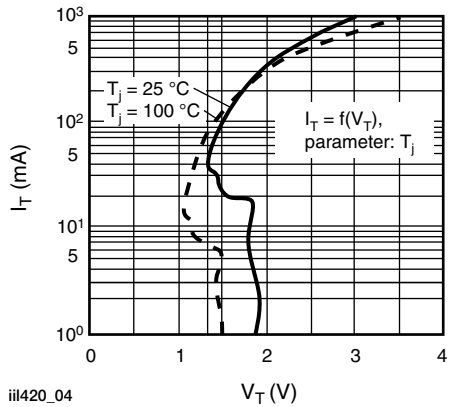


Fig. 4 - Typical Output Characteristics

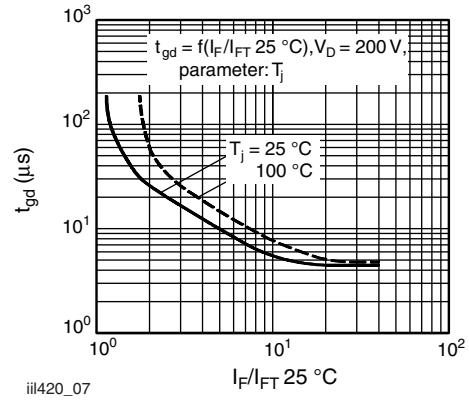


Fig. 7 - Typical Trigger Delay Time



Fig. 5 - Current Reduction

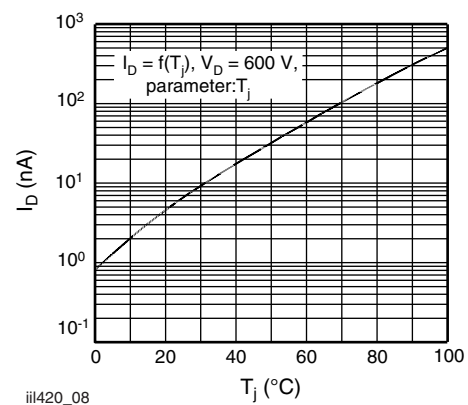


Fig. 8 - Typical Off-State Current

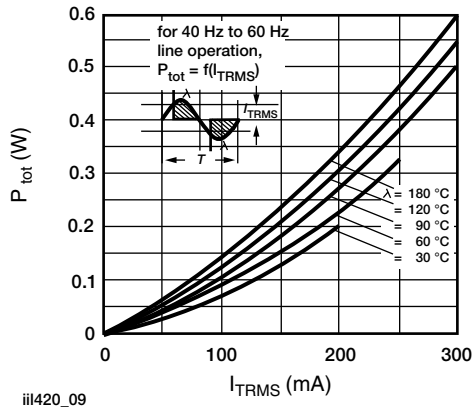


Fig. 9 - Power Dissipation

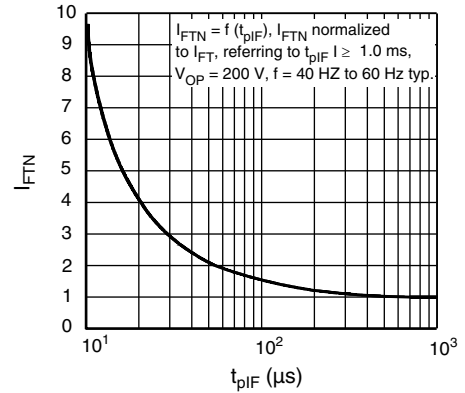
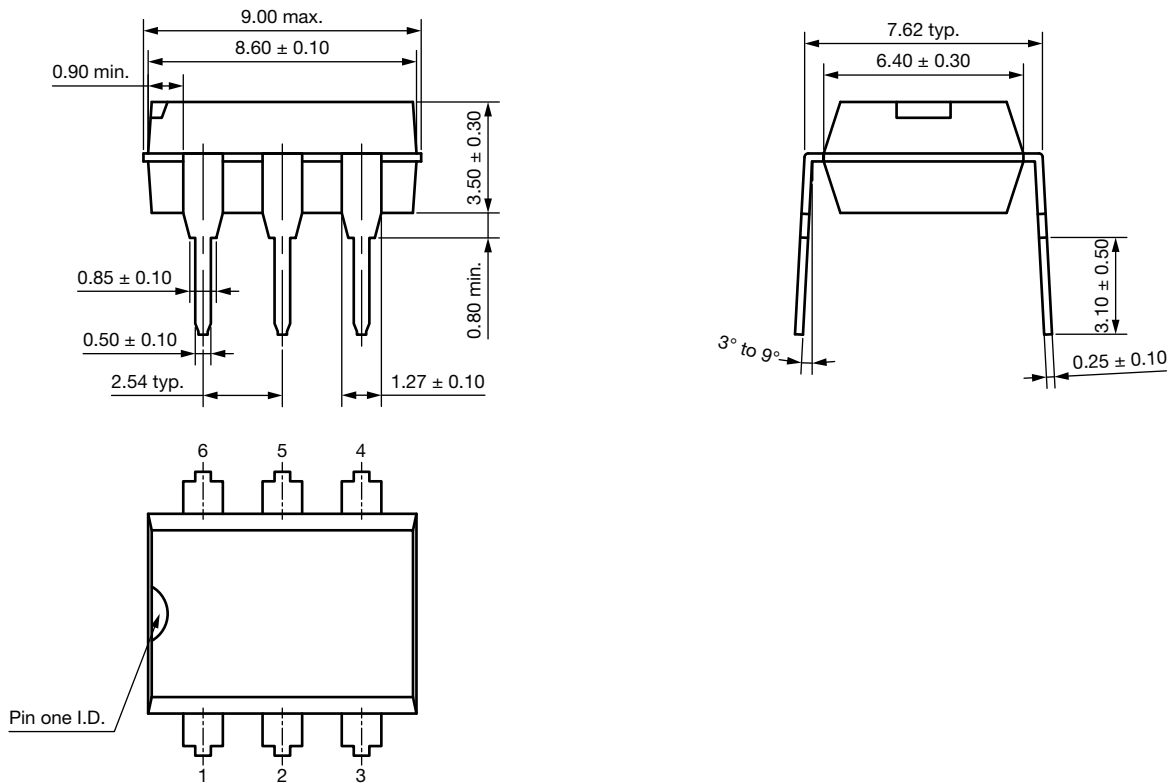


Fig. 10 - Pulse Trigger Current

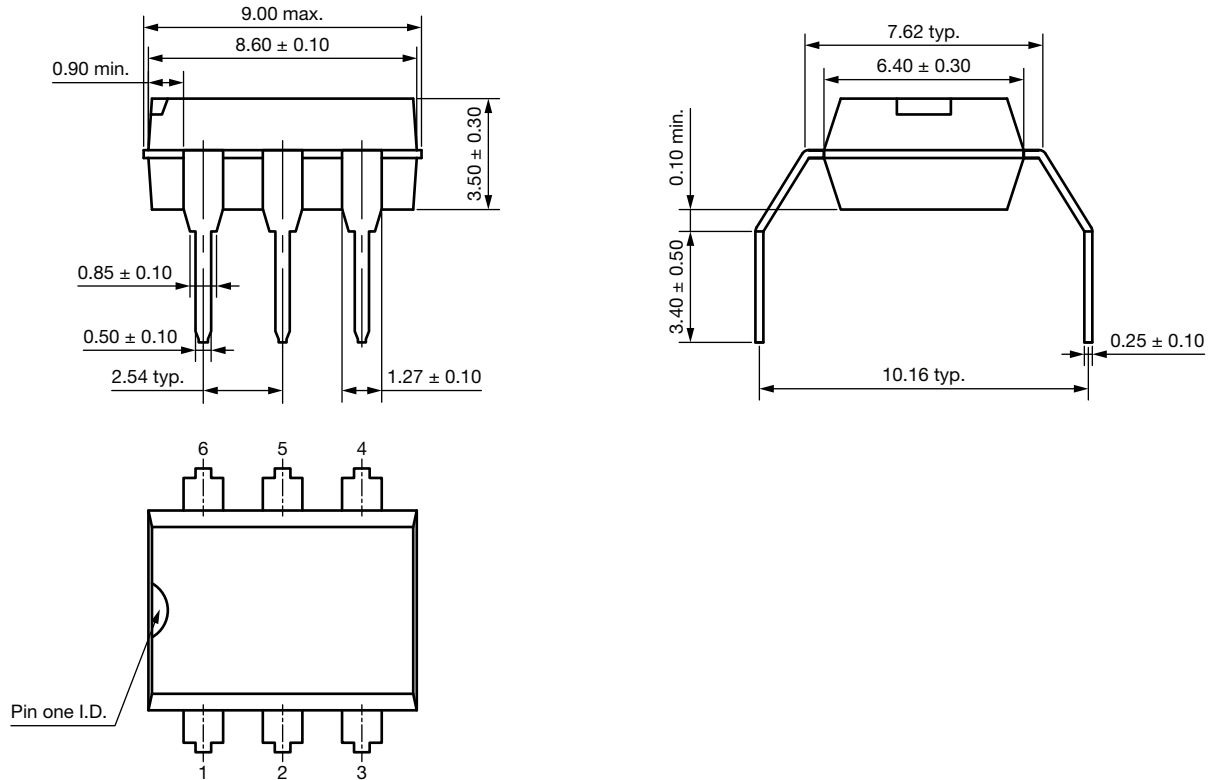
**PACKAGE DIMENSIONS** in millimeters

**DIP-6**

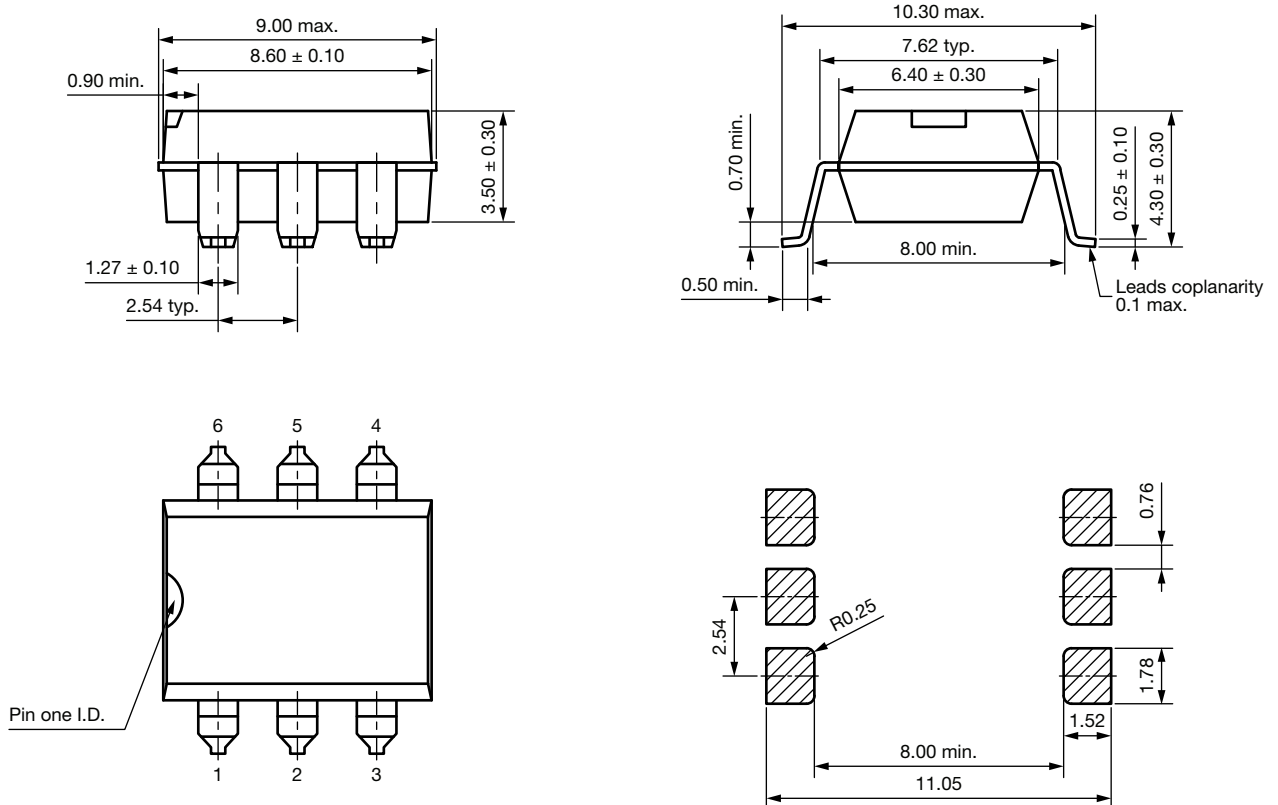




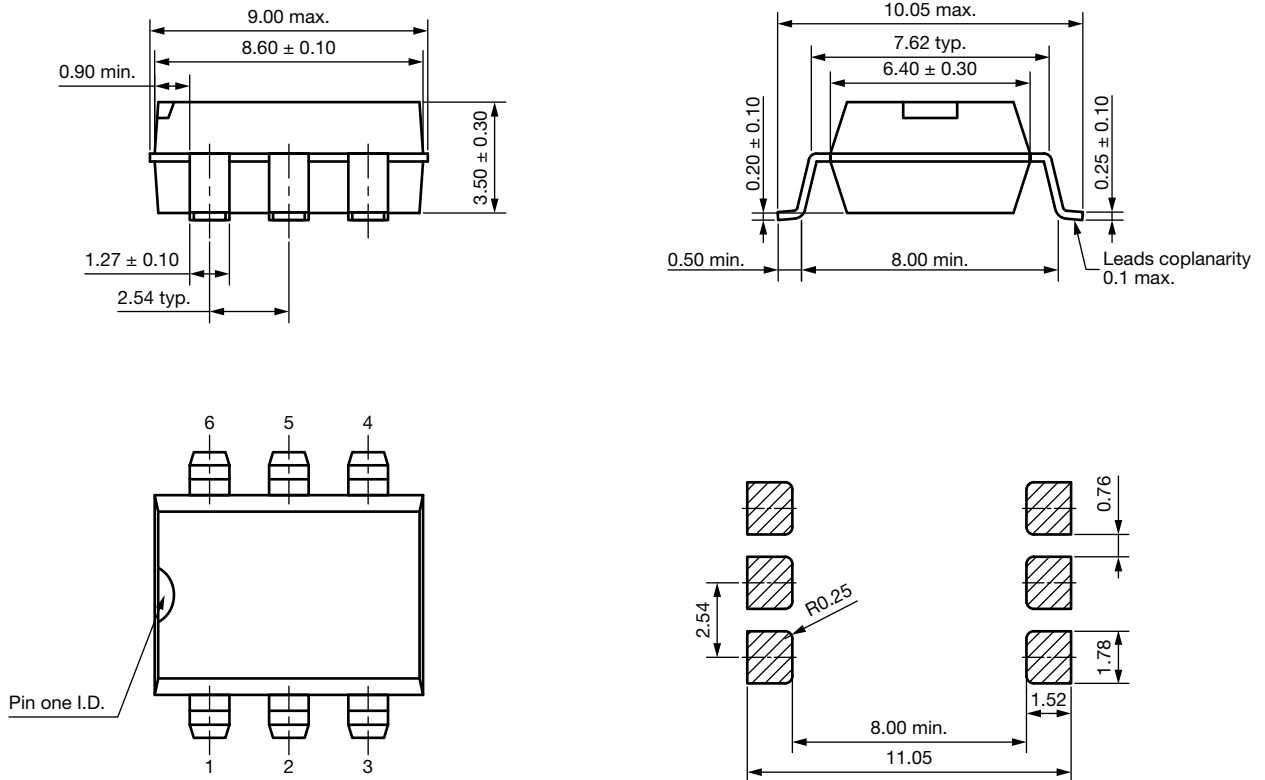
DIP-6, 400 mil (option 6)



SMD-6 (option 7)



SMD-6 (option 9)



PACKAGE MARKING (example)

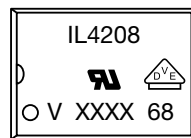
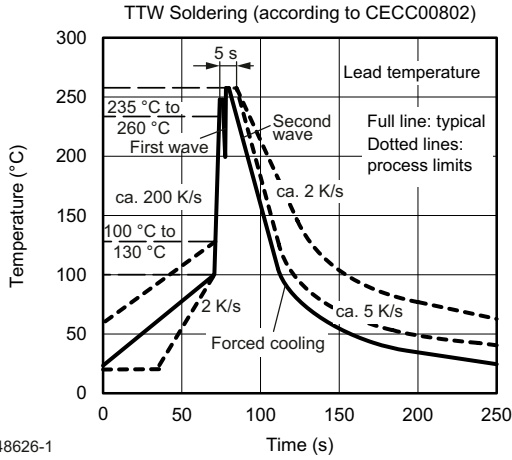


Fig. 11 - Example of IL4208-X017T

Notes

- XXXX = LMC (lot marking code)
- VDE logo is only marked on option 1 parts
- Tape and reel suffix (T) is not part of the package marking

**SOLDER PROFILES**



948626-1

Fig. 12 - Wave Soldering Double Wave Profile According to J-STD-020 for DIP Devices

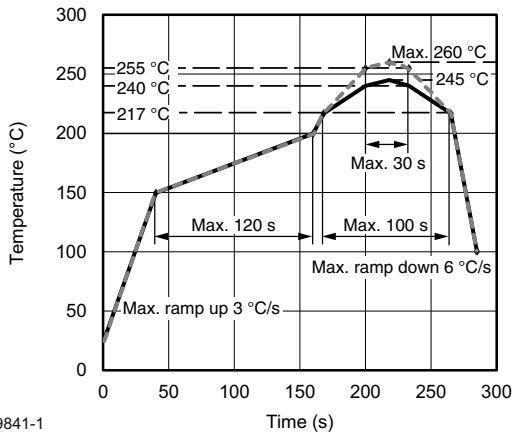
**HANDLING AND STORAGE CONDITIONS**

ESD level: HBM class 2

Floor life: unlimited

Conditions:  $T_{amb} < 30\text{ °C}$ , RH < 85 %

Moisture sensitivity level 1, according to J-STD-020



19841-1

Fig. 13 - Lead (Pb)-free Reflow Solder Profile According to J-STD-020 for SMD Devices





## Disclaimer

ALL PRODUCT, PRODUCT SPECIFICATIONS AND DATA ARE SUBJECT TO CHANGE WITHOUT NOTICE TO IMPROVE RELIABILITY, FUNCTION OR DESIGN OR OTHERWISE.

Vishay Intertechnology, Inc., its affiliates, agents, and employees, and all persons acting on its or their behalf (collectively, "Vishay"), disclaim any and all liability for any errors, inaccuracies or incompleteness contained in any datasheet or in any other disclosure relating to any product.

Vishay makes no warranty, representation or guarantee regarding the suitability of the products for any particular purpose or the continuing production of any product. To the maximum extent permitted by applicable law, Vishay disclaims (i) any and all liability arising out of the application or use of any product, (ii) any and all liability, including without limitation special, consequential or incidental damages, and (iii) any and all implied warranties, including warranties of fitness for particular purpose, non-infringement and merchantability.

Statements regarding the suitability of products for certain types of applications are based on Vishay's knowledge of typical requirements that are often placed on Vishay products in generic applications. Such statements are not binding statements about the suitability of products for a particular application. It is the customer's responsibility to validate that a particular product with the properties described in the product specification is suitable for use in a particular application. Parameters provided in datasheets and / or specifications may vary in different applications and performance may vary over time. All operating parameters, including typical parameters, must be validated for each customer application by the customer's technical experts. Product specifications do not expand or otherwise modify Vishay's terms and conditions of purchase, including but not limited to the warranty expressed therein.

Hyperlinks included in this datasheet may direct users to third-party websites. These links are provided as a convenience and for informational purposes only. Inclusion of these hyperlinks does not constitute an endorsement or an approval by Vishay of any of the products, services or opinions of the corporation, organization or individual associated with the third-party website. Vishay disclaims any and all liability and bears no responsibility for the accuracy, legality or content of the third-party website or for that of subsequent links.

Except as expressly indicated in writing, Vishay products are not designed for use in medical, life-saving, or life-sustaining applications or for any other application in which the failure of the Vishay product could result in personal injury or death. Customers using or selling Vishay products not expressly indicated for use in such applications do so at their own risk. Please contact authorized Vishay personnel to obtain written terms and conditions regarding products designed for such applications.

No license, express or implied, by estoppel or otherwise, to any intellectual property rights is granted by this document or by any conduct of Vishay. Product names and markings noted herein may be trademarks of their respective owners.