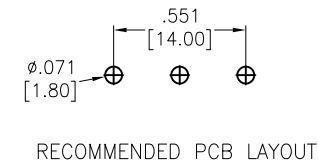
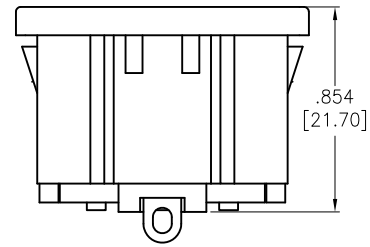
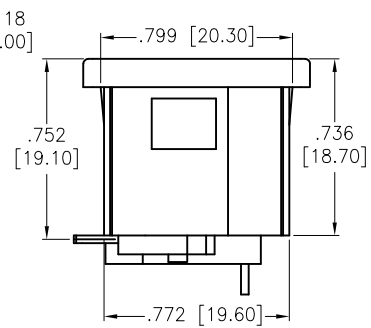
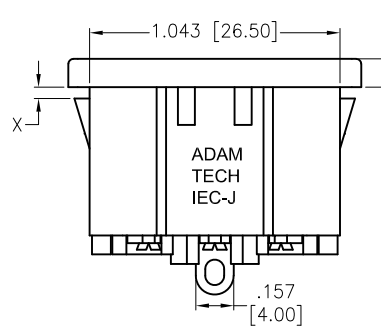
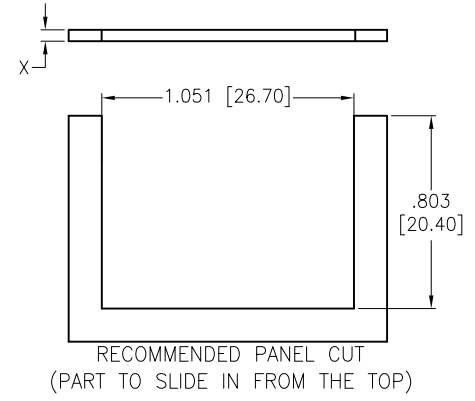
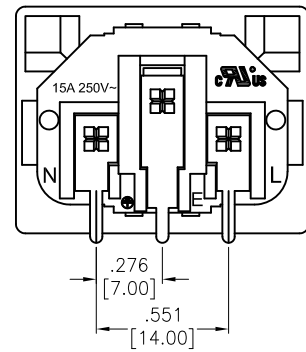
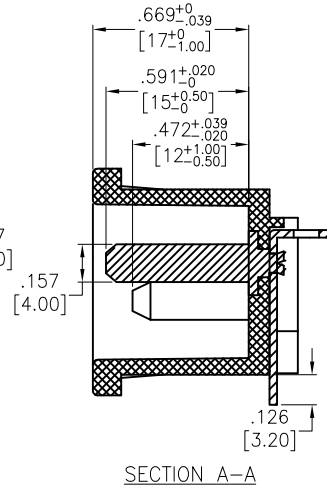
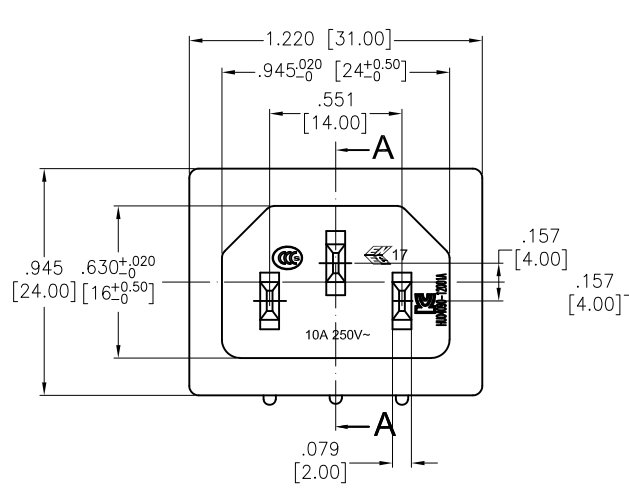


APPROVED: _____
 DATE: _____ TITLE: _____

Rev	AWO #	Description	Date	Apr
-		RELEASED	6/17/05	
A		REDRAWN	11/30/12	
B		UPDATE SPEC.	1/7/21	OW/KC



PART NUMBER	DIMENSIONS
	X
IEC-J-4-120	.047 [1.20]
IEC-J-4-150	.059 [1.50]
IEC-J-4-200	.079 [2.00]
IEC-J-4-300	.118 [3.00]

SPECIFICATIONS:

Material:
 Insulator: Nylon 66, rated UL 94V-0
 Insulator color: Copper Alloy
 Contacts: Copper Alloy
 Plating:
 Nickel over Copper underplate overall
 PCB pins: Tin over Copper underplate
 Electrical:
 Current rating: 15A 250V (C-ULus)
 10A 250V (ENEC & CCC & KC)
 Insulation resistance: 100 Mohms min @ 500 VDC
 Dielectric withstanding voltage: 3,000 VAC for 1 minute
 Environmental:
 Lead free, RoHS compliant



UNLESS OTHERWISE SPECIFIED ALL DIMENSIONS ARE INCHES [MM] TOLERANCES: EXCEPT AS NOTED	
INCHES	HOLES
.X ±.10	Ø.X ±.10
.XX ±.020	Ø.XX ±.015
.XXX ±.015	Ø.XXX ±.010
APPROVALS	
DRAWN	DATE
SS	6/17/05
CHECKED	
APPROVED	

ADAM TECH 909 Rahway Avenue,
 Union, NJ 07083
 Phone: 908-687-5000
 Fax: 908-687-5710

TITLE: IEC MALE INLET, PANEL MOUNT, RIGHT ANGLE, PCB TAILS

SIZE X	PART NO. IEC-J-4-XXX	REV. B
REF: S00087C	SCALE: NTS	SHEET 1 OF 1

6 5 4 3 2 1

6 5 4 3 2 1