

iW-RainboW-G35M
ZU19/17/11 Zynq Ultrascale+ MPSoC FPGA SOM Fan Sink
ORDERING PART NUMBER: iW-FSKALU-CLASLR-CU03

| RELEASE HISTORY | | | |
|-----------------|-----------------|--------------|-------|
| REL | CHANGES | DATE | BY |
| 1.0 | INITIAL RELEASE | 06 JUL. 2020 | IQBAL |

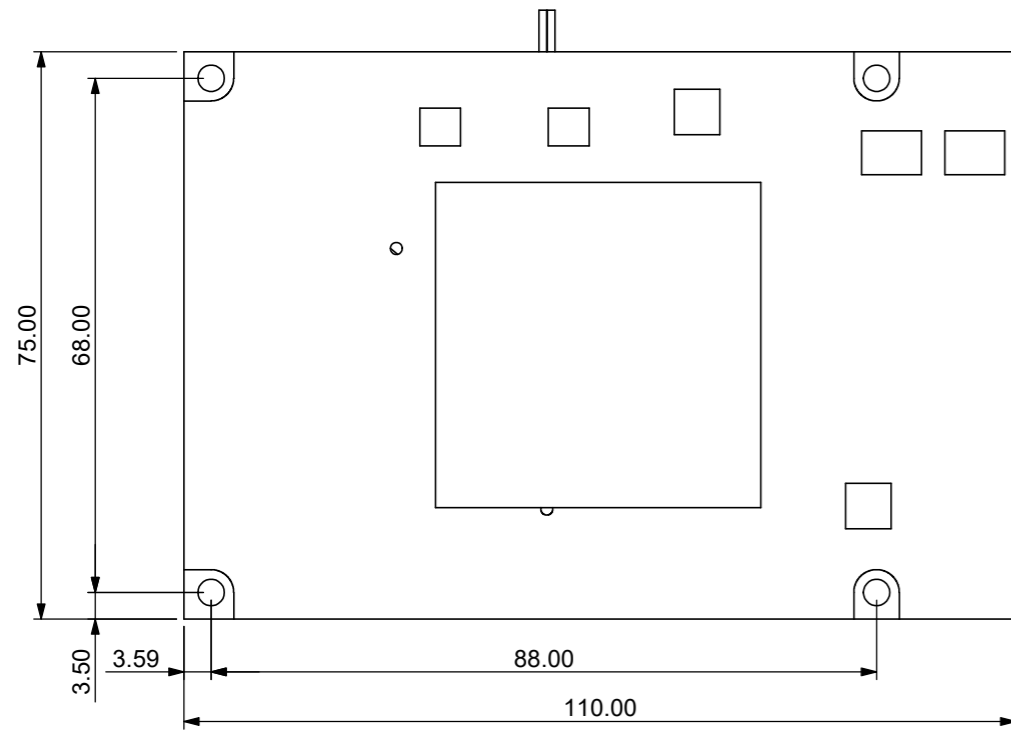


Fig 1.1

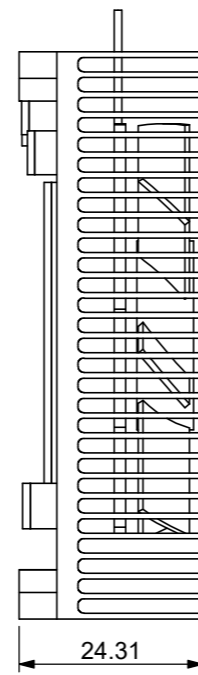


Fig 1.2

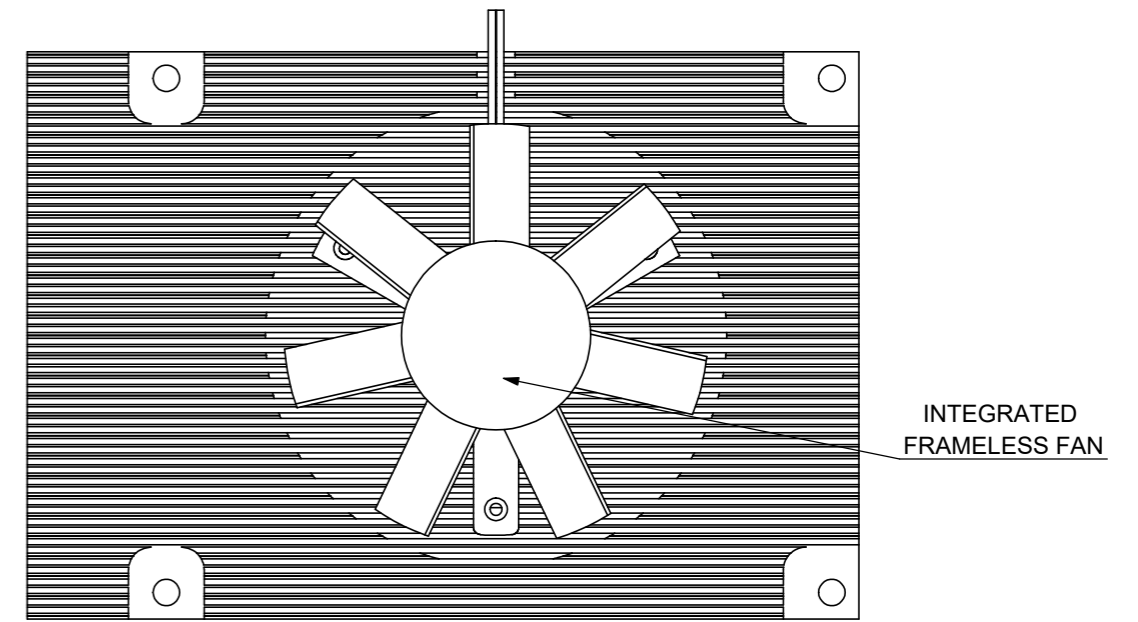


Fig 1.3

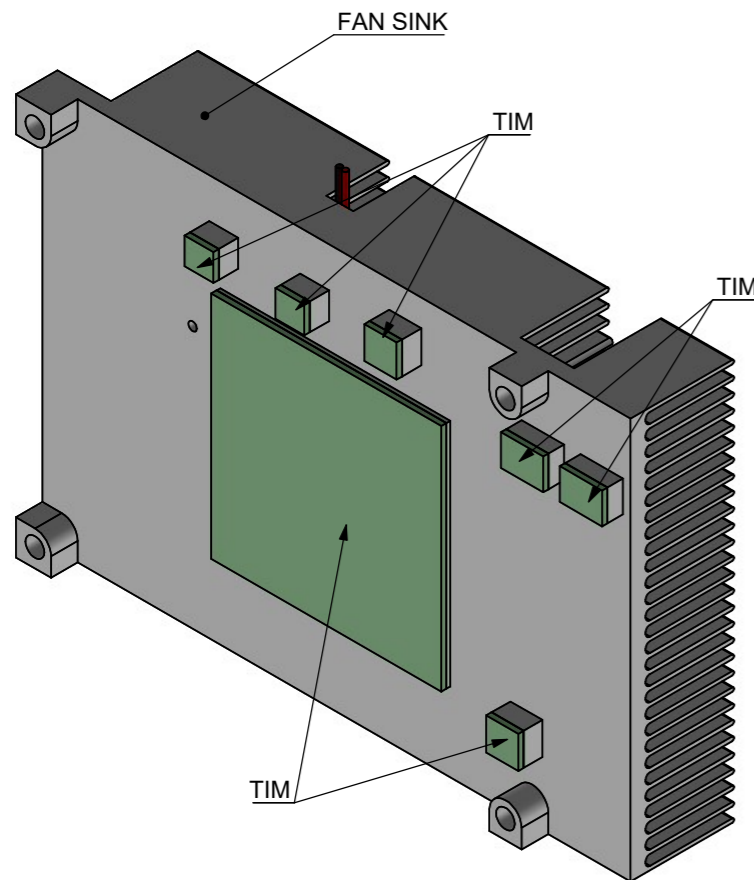


Fig 1.4

| TABLE 1.1: FAN SPECIFICATIONS | |
|-------------------------------|--------------------------------------|
| PART NO. | T056010BHZC0U3aR |
| DIMENSIONS | 60X60X10.5mm |
| AIR FLOW | 18.14CFM 0.51m3/min |
| STATIC PRESSURE | 3.00mmH2O |
| RATED VOLTAGE | 5V |
| LIFE EXPECTANCY | 50,000hours at 40°C (WITH 15~65% RH) |
| ROHS | YES |

| TABLE 1.2: TIM SPECIFICATIONS | |
|-------------------------------|---------------------------------|
| MATERIAL | SILICONE RUBBER (BASE MATERIAL) |
| THERMAL CONDUCTIVITY | 12.5W/mK |
| FLAME RATING | UL 94 V-0 |
| HARDNESS | 50 Shore 00 |
| WORKING TEMP. | -50~+150 °C |
| ROHS | YES |

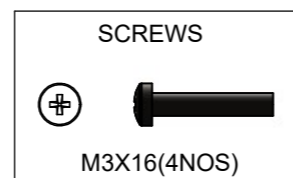


Fig 1.5

NOTES:
 ALL DIMENSIONS ARE IN mm.
 SCALE: 1:1

| | |
|---|-----------|
| DRAWN BY | IQBAL |
| CHECKED BY | GANGADHAR |
| APPROVED BY | PRADAP |
| THIS DRAWING SHEET IS PROPRIETARY OF IWAVE SYSTEMS TECHNOLOGIES Pvt. Ltd. | |
| GENERAL TOLERANCES : | |
| X: ± 0.25 | |
| .X: ± 0.1 | |
| .XX: ± 0.01 | |

| | | | |
|---|--|---|----------|
| | | iWave System Technologies Private Limited, 7/B, 29th Main, BTM Layout, 2nd Stage, Bangalore-560076, India. | |
| | | DRAWING NO: iW-FSKALU-CLASLR-CU03-DS | |
| MATERIAL : AL 6063-T5 ALLOY | | WEIGHT: 172 g | |
| FINISH : CLEAR ANODIZED | | | |
| TITLE: G35M-FPGA SOM FAN SINK DATA SHEET | | REV: 1.0 | REL: 1.0 |
| DATE : 06 JUL. 2020 | | SHEET 1 OF 1 | |