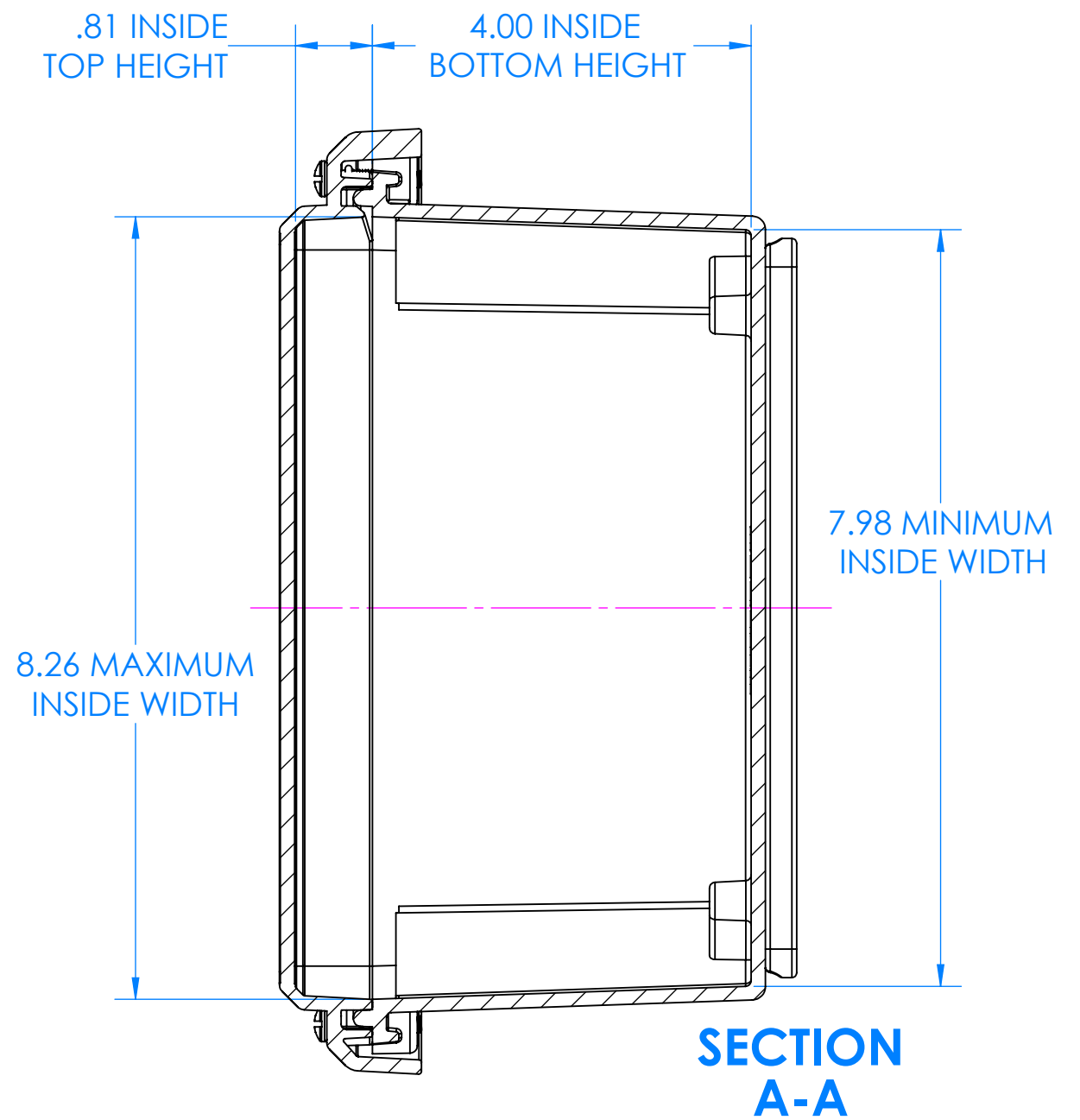
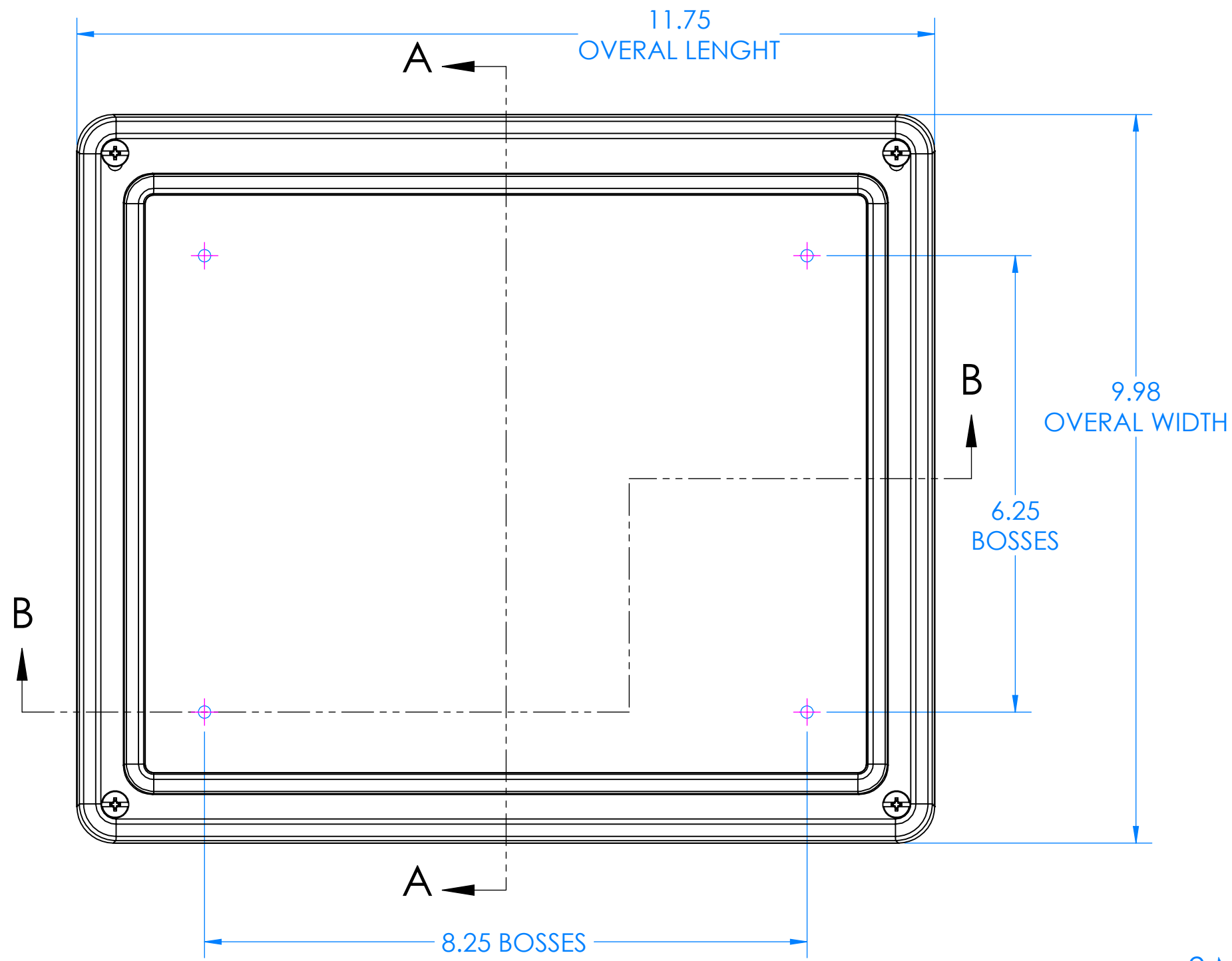


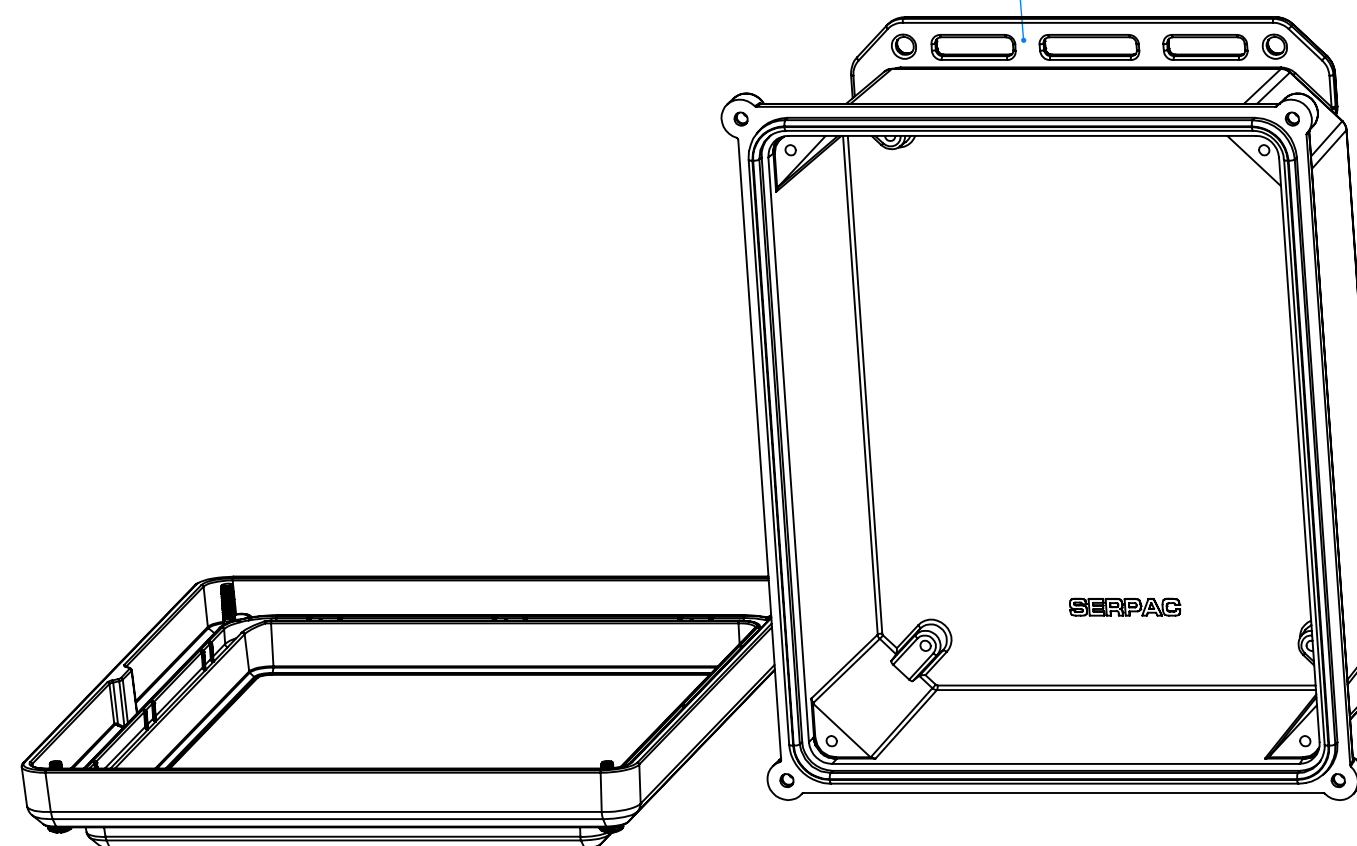
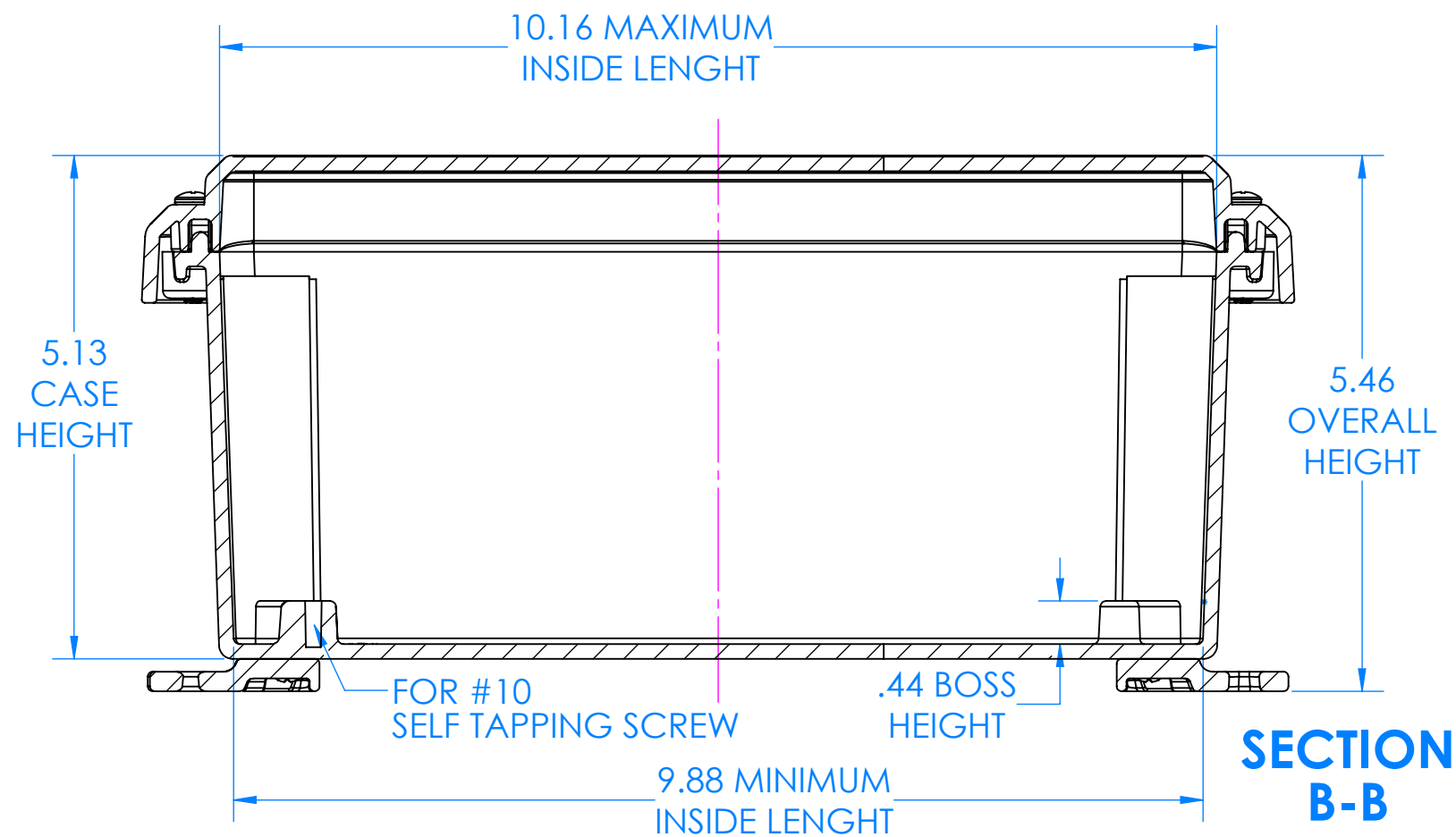
SERPAC I342S

Electronic Enclosures



2 Mounting Brackets included, see sheet 2 for dimensions and for optional mounting Corner Feet and Brackets.

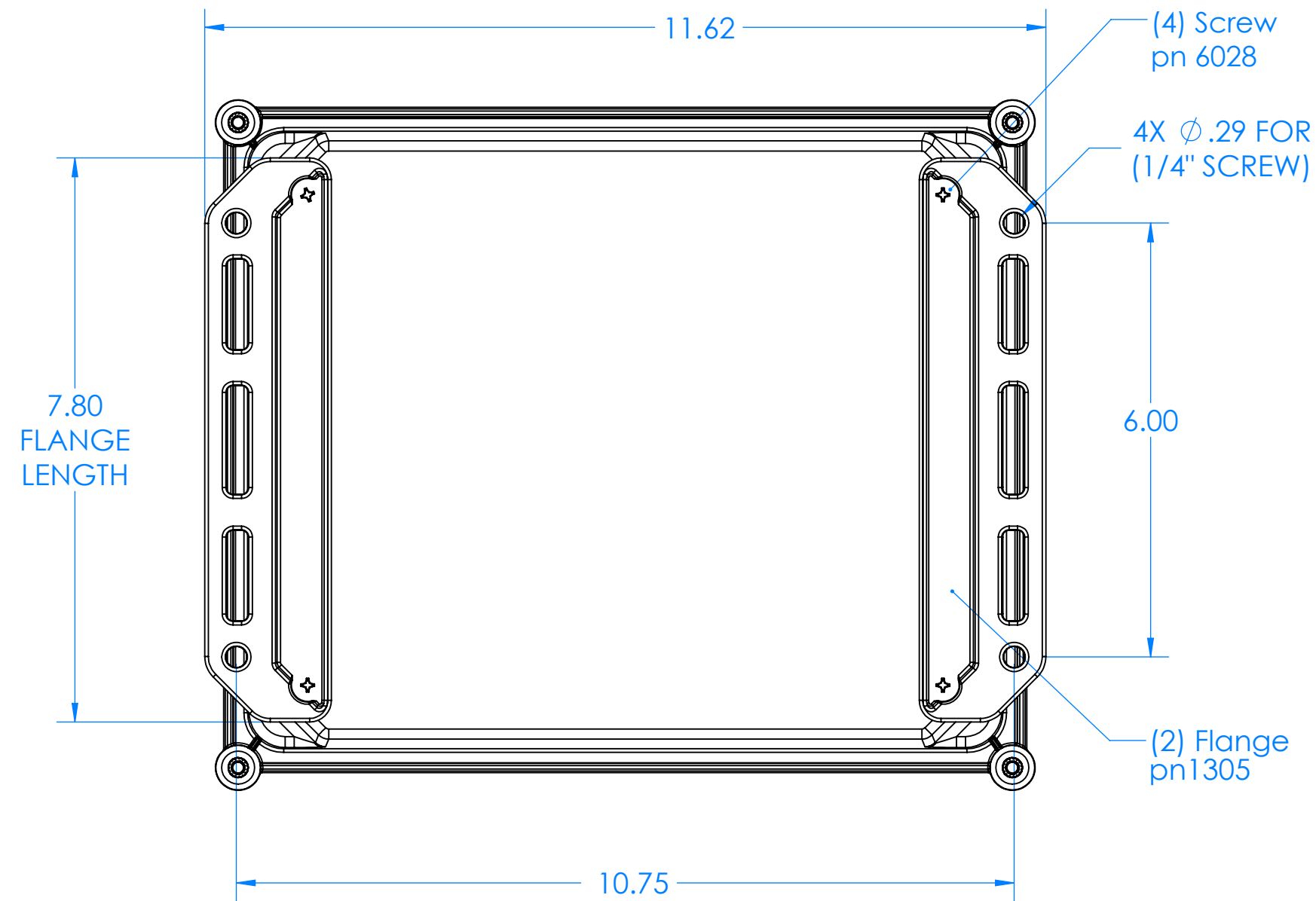
Aluminum and Plastic Panel Kits are available as options, see sheets 3-6. The aluminum panel options are:
 Bottom Panel Kit p/n 7200B
 Top Panel Kit p/n 7200T
 Hinged Panel Kit p/n 7200TH
 The plastic panel option is:
 Hinged Panel Kit p/n 7200HP



- UL listed to UL 508A 4/4X standard (UL file E519183).
- Material: UV stabilized Polycarbonate Flammability V0, F1 rated material.
- Watertight enclosure meets or exceed Nema 4 and or IP67.

PARTS INCLUDED		
P/N	Qty.	Description
I352 ST	1	I352 Screw Top
I340 SB	1	I340 Screw Bottom
8350	1	350 Perimeter O-ring
6031	4	10-32 X 1" Screw
6104	4	10-32 Threaded insert
8001	4	SS #10 X 5/8" Pan H/L
1305	2	Mounting Bracket
6028	4	SS #10 X 5/8" Pan H/L

I352/I342 Mounting Bracket Dimensions



STANDARD INCLUDED 1305 FLANGE KIT

Part included in Kit number 1305		
P/N	Qty.	Description
1305	2	Flange
6028	4	SS #10 X 5/8" Pan Combo H/L Screw

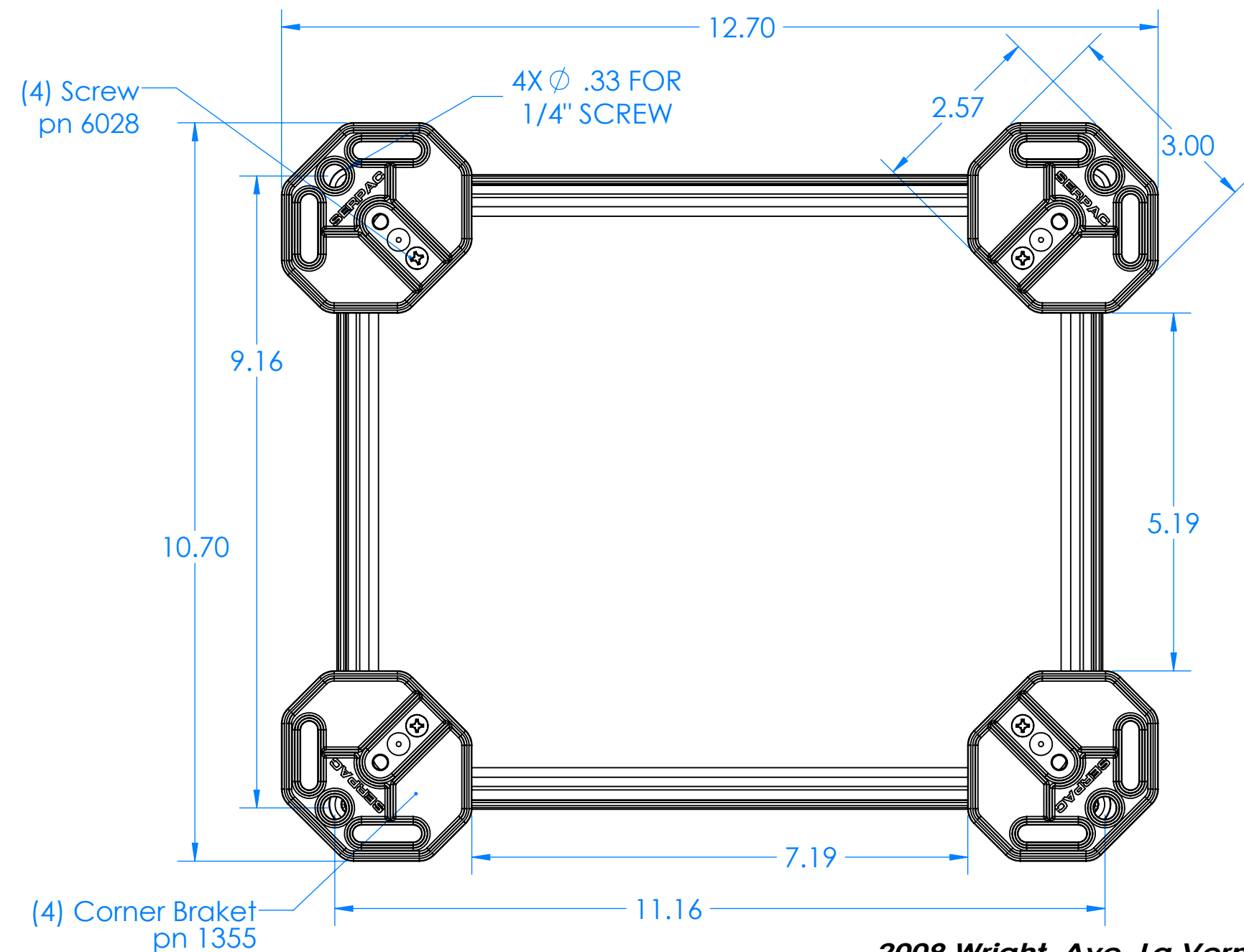
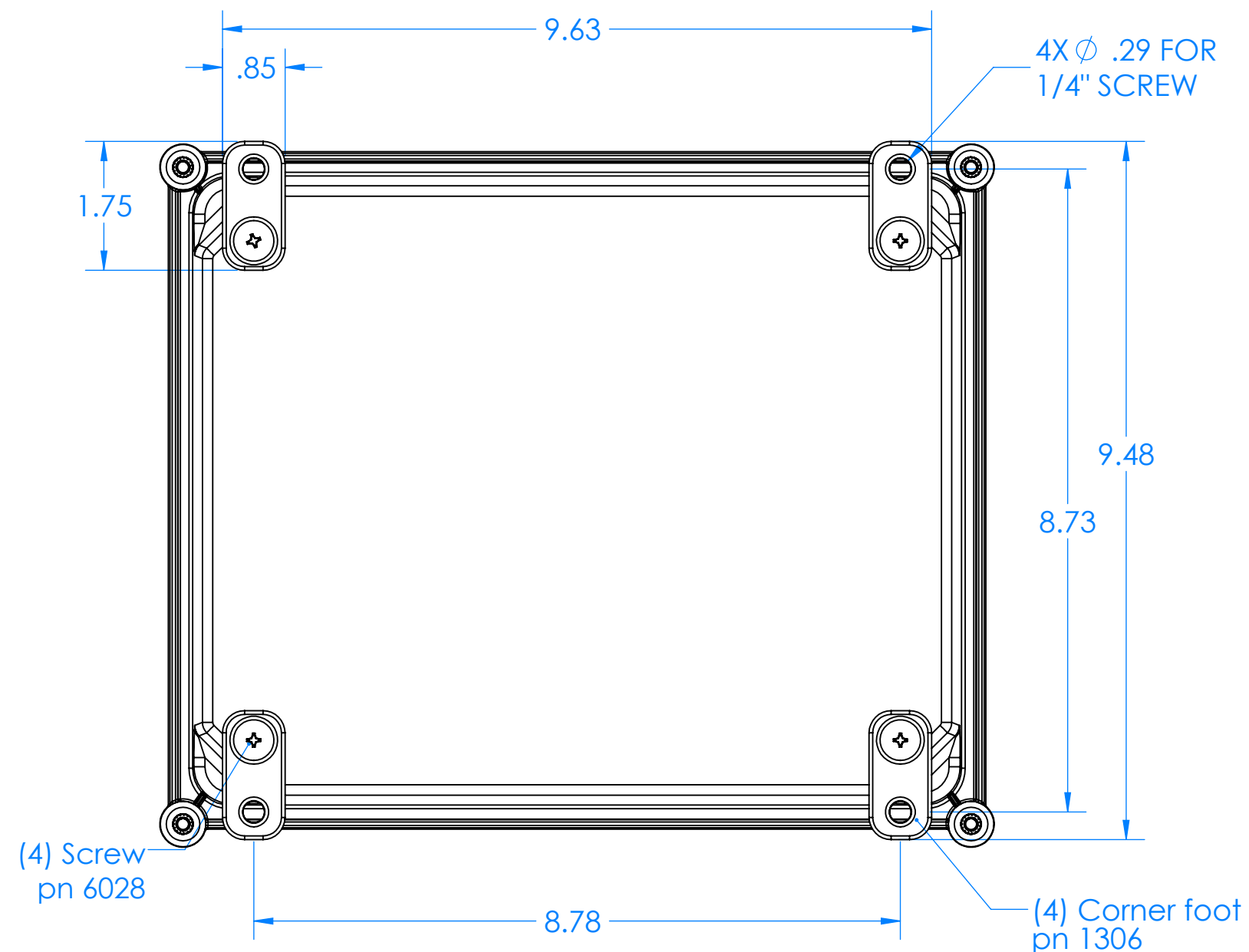
TOP & LATCHES REMOVED FOR CLARITY FROM ALL VIEWS

OPTIONAL 1306 CORNER FEET KIT

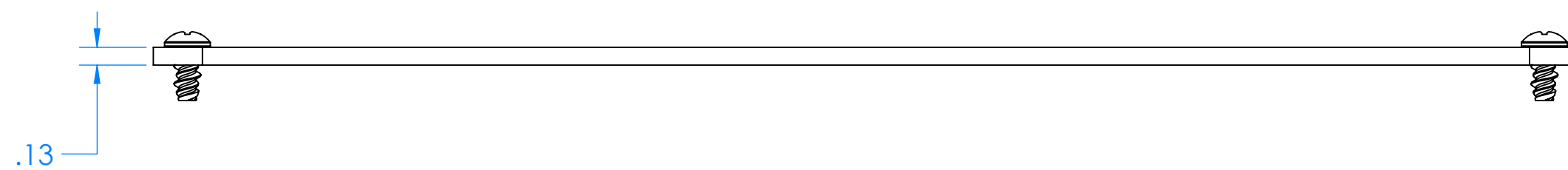
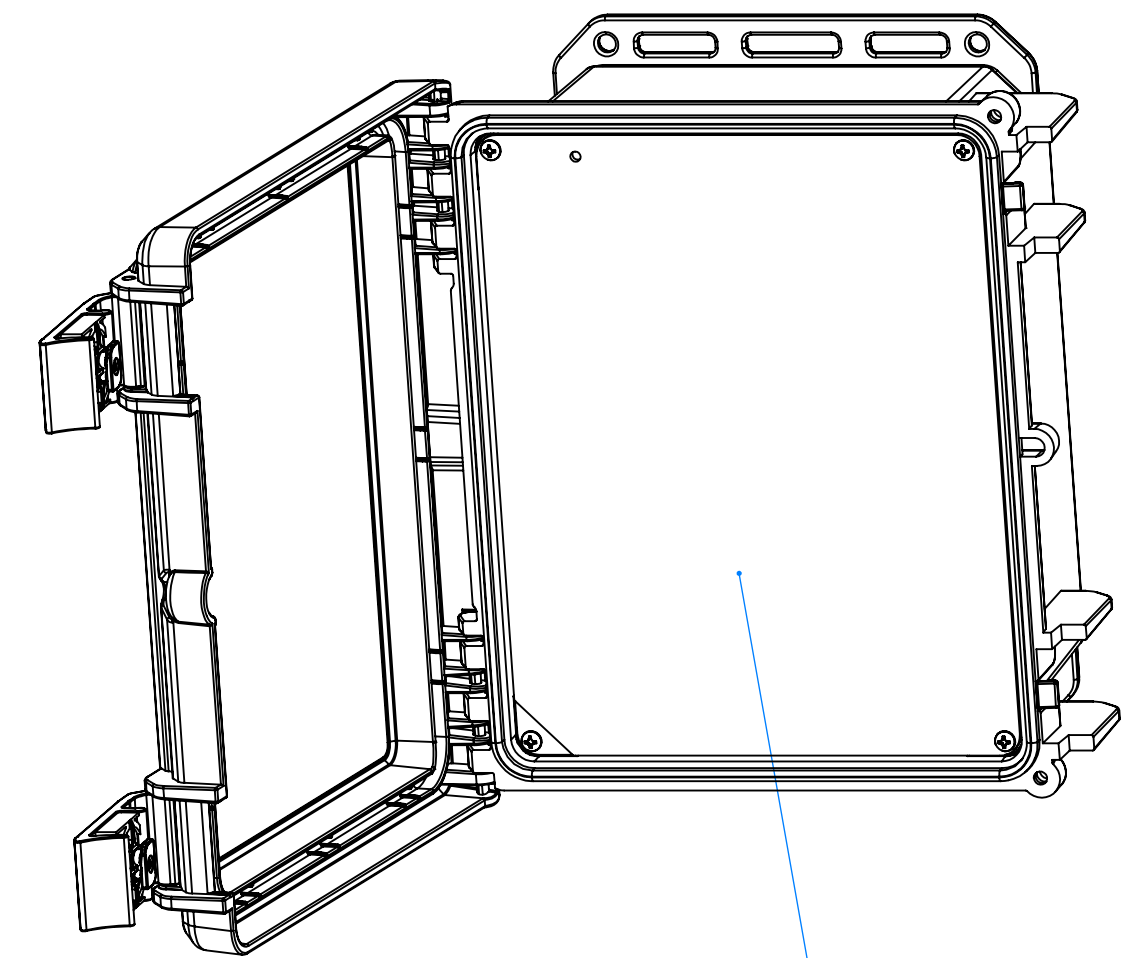
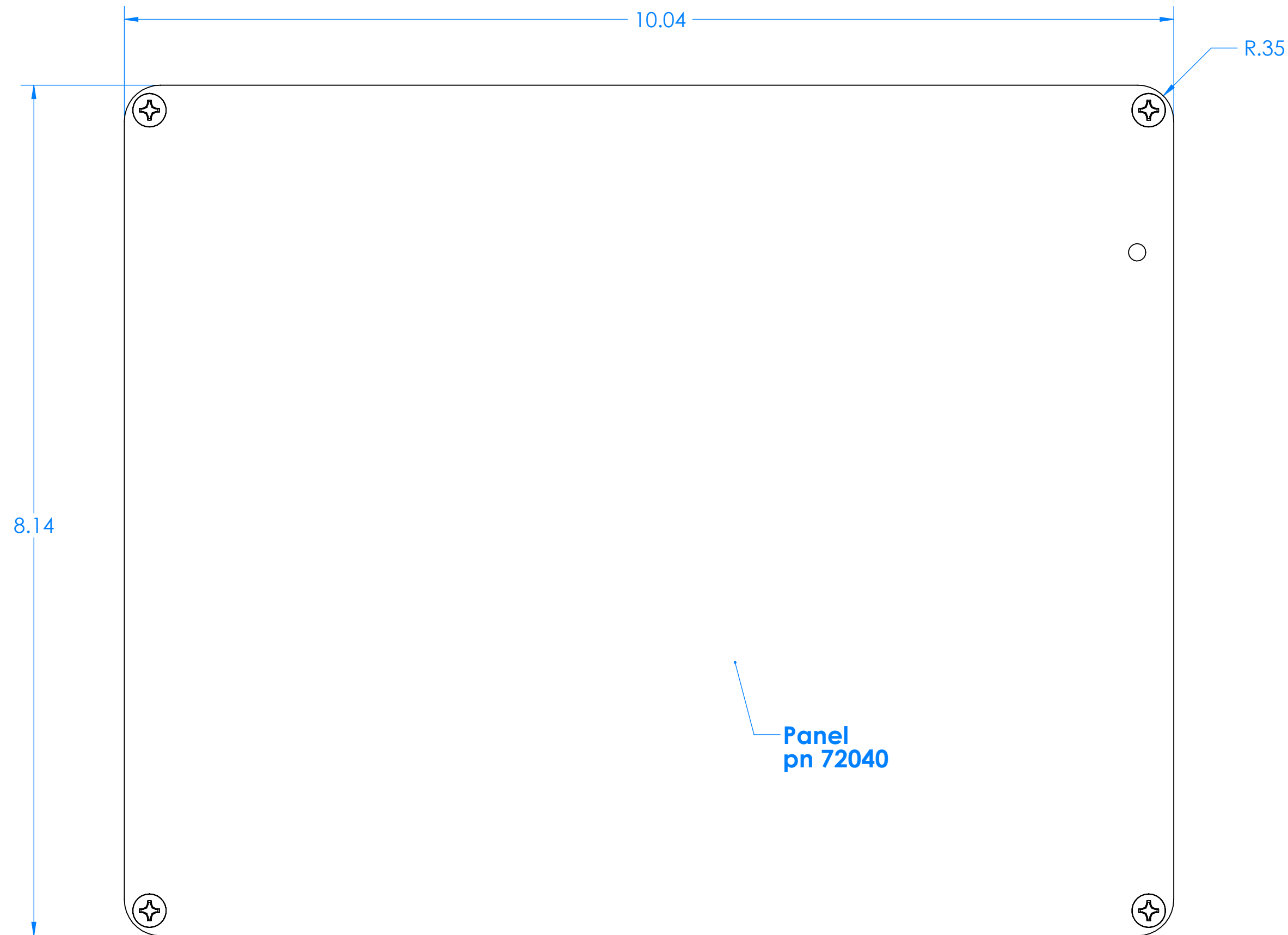
Part included in Kit number 1306		
P/N	Qty.	Description
1306	4	Mounting Corner Foot
6028	4	SS #10 X 5/8" Pan Combo H/L Screw

OPTIONAL 1355 CORNER BRACKETS KIT

Part included in Kit number 1355		
P/N	Qty.	Description
1355	4	Mounting Corner Bracket
6028	4	SS #10 X 5/8" Pan Combo H/L Screw



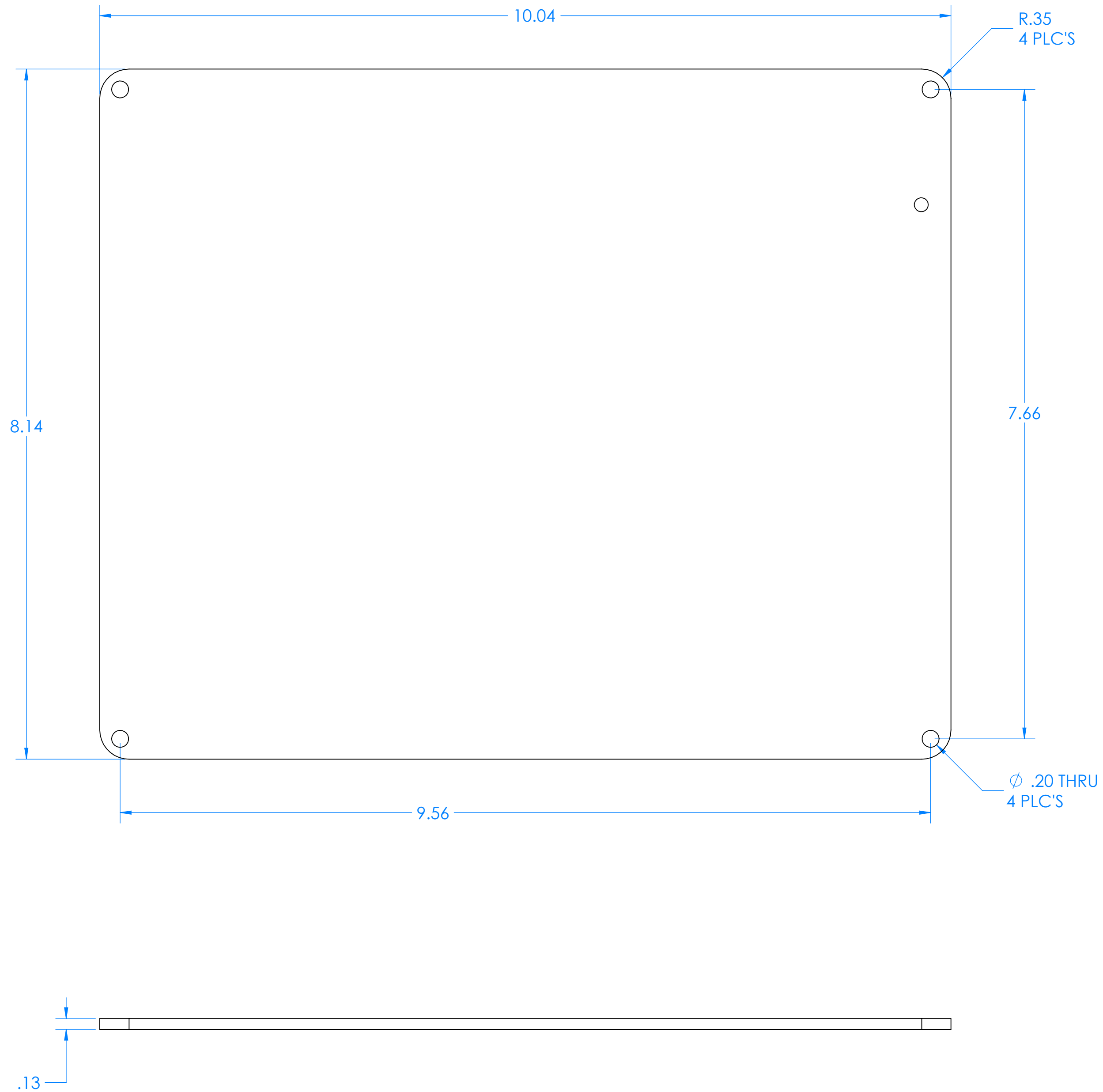
7200T Top Panel Kit for 352HL, 342HL, 352HS, 342HS, 352S and 342S



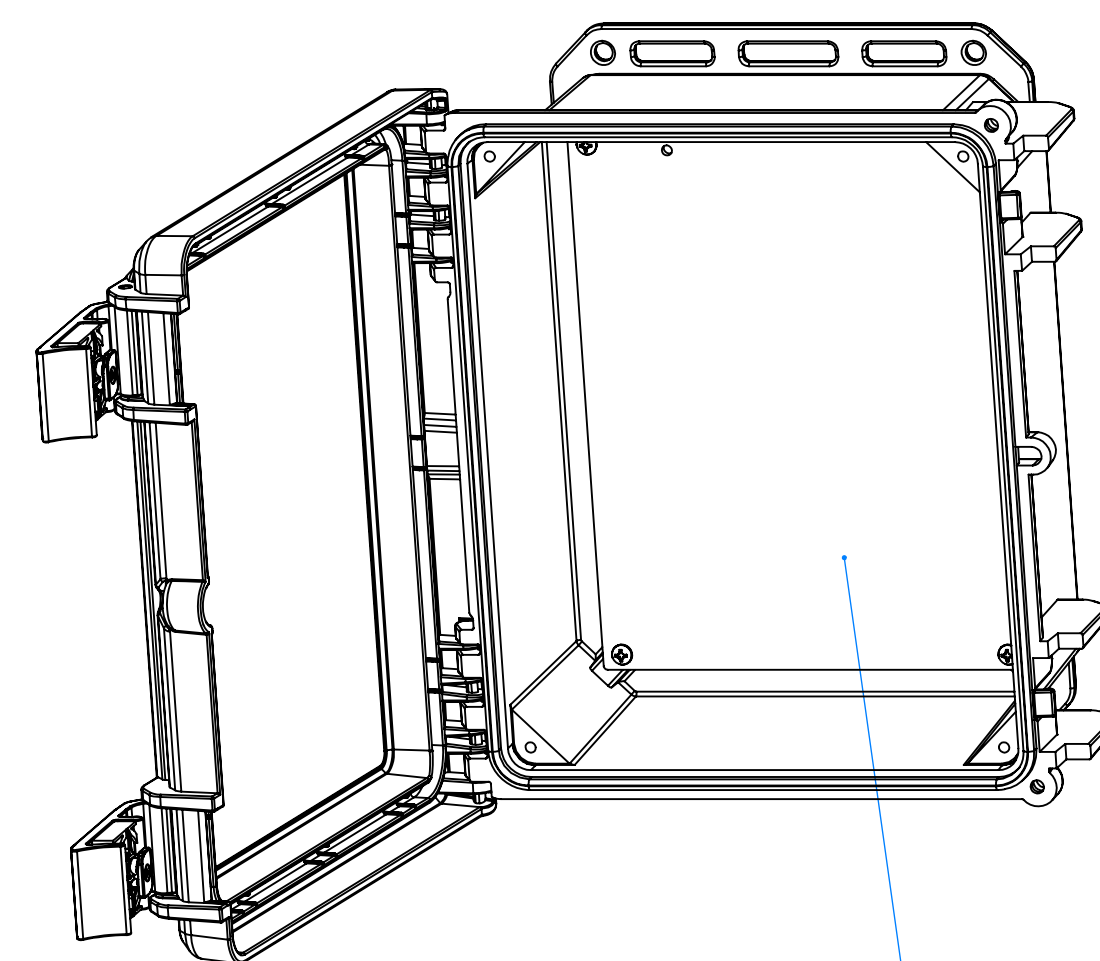
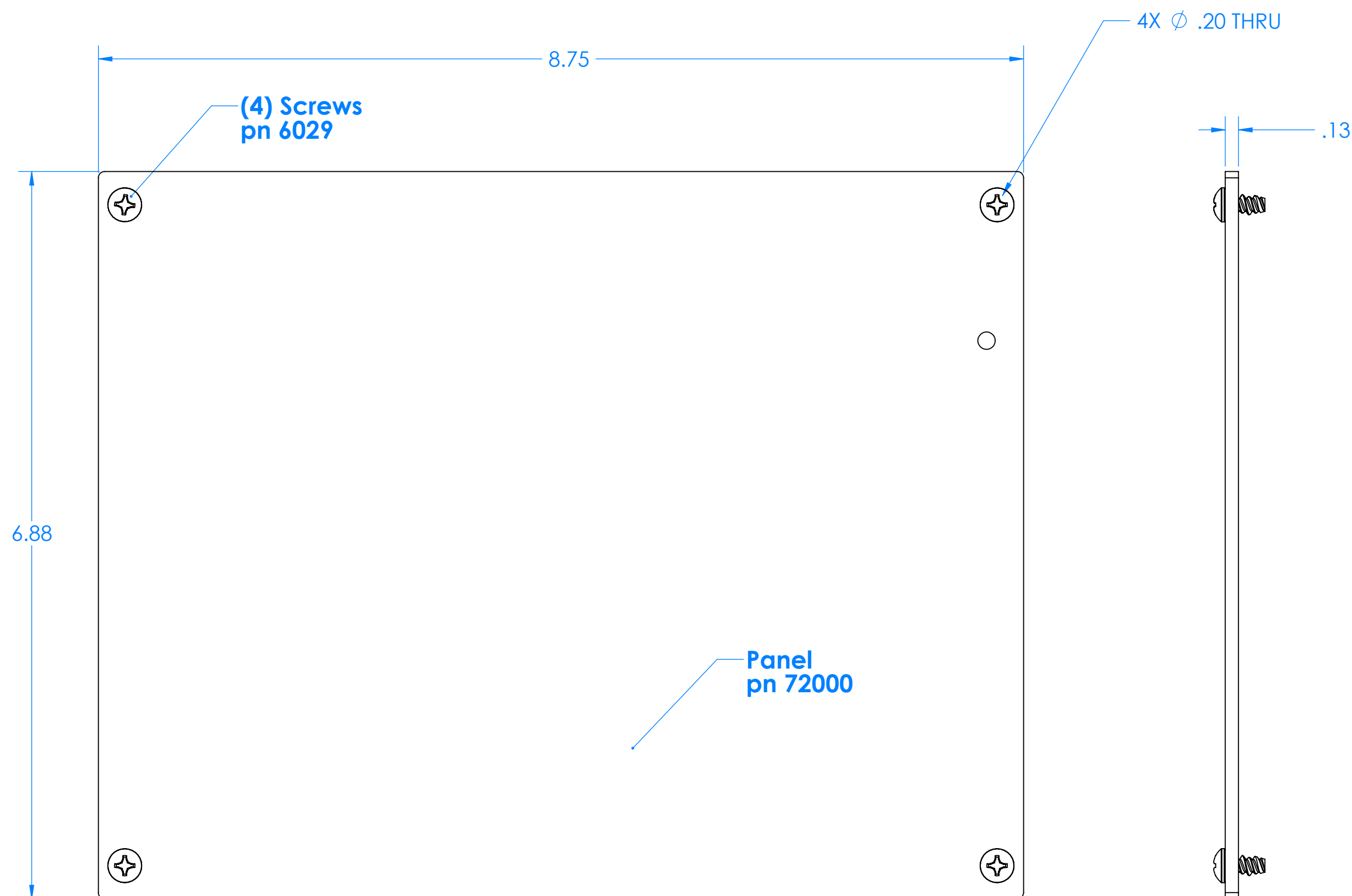
Part included in Kit number 7200T		
P/N	Qty.	Description
72040	1	Top Aluminum Panel
6029	4	SS #10 X 3/8" Pan HL Screw

72040 AP-1 Top Alum Panel

352HL, 342HL, 352HS, 342HS, 352S and 342S



7200B Bottom Panel Kit for 352HL, 342HL, 352HS, 342HS, 352S and 342S

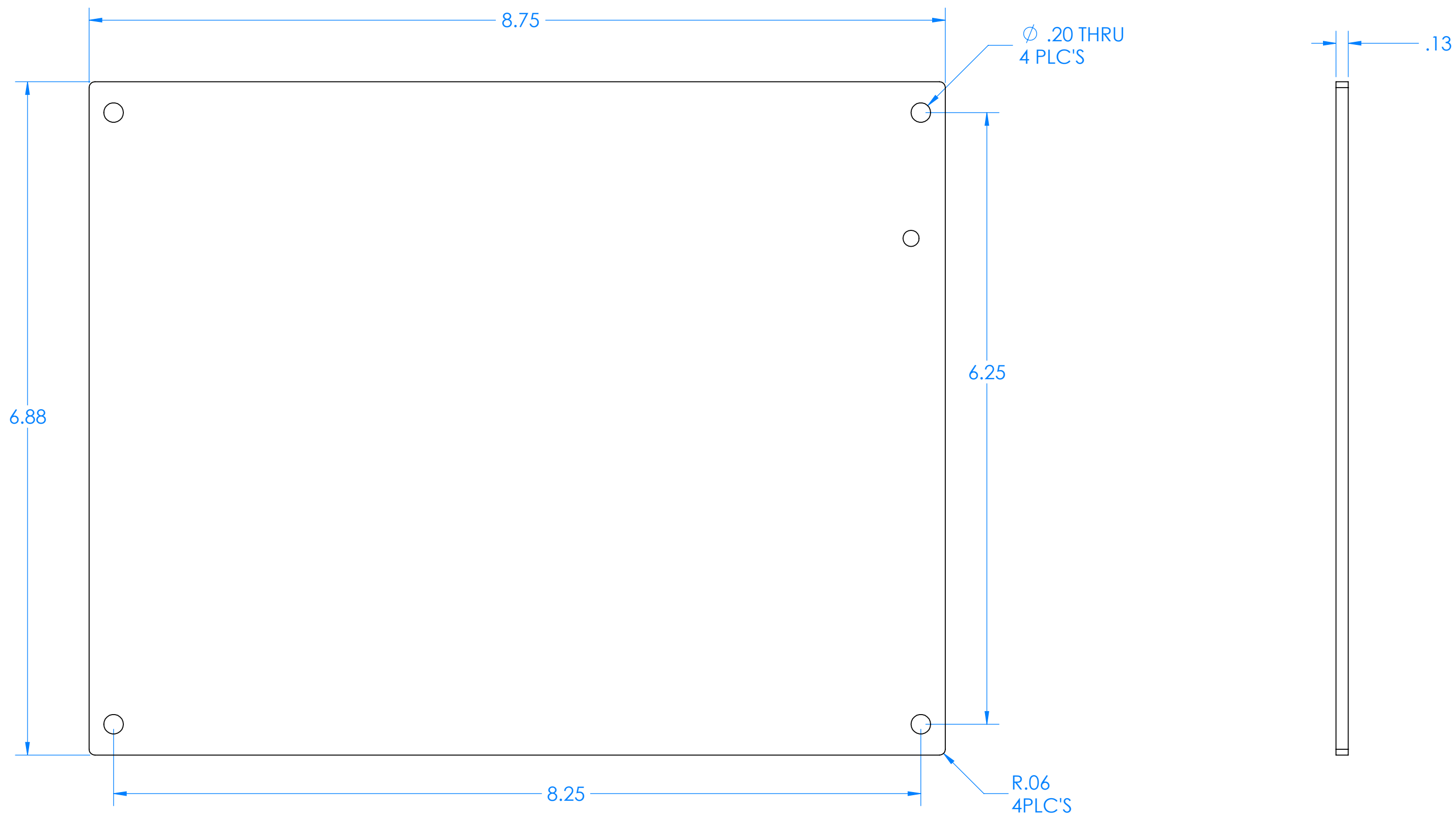


Optional kit
pn 7200B

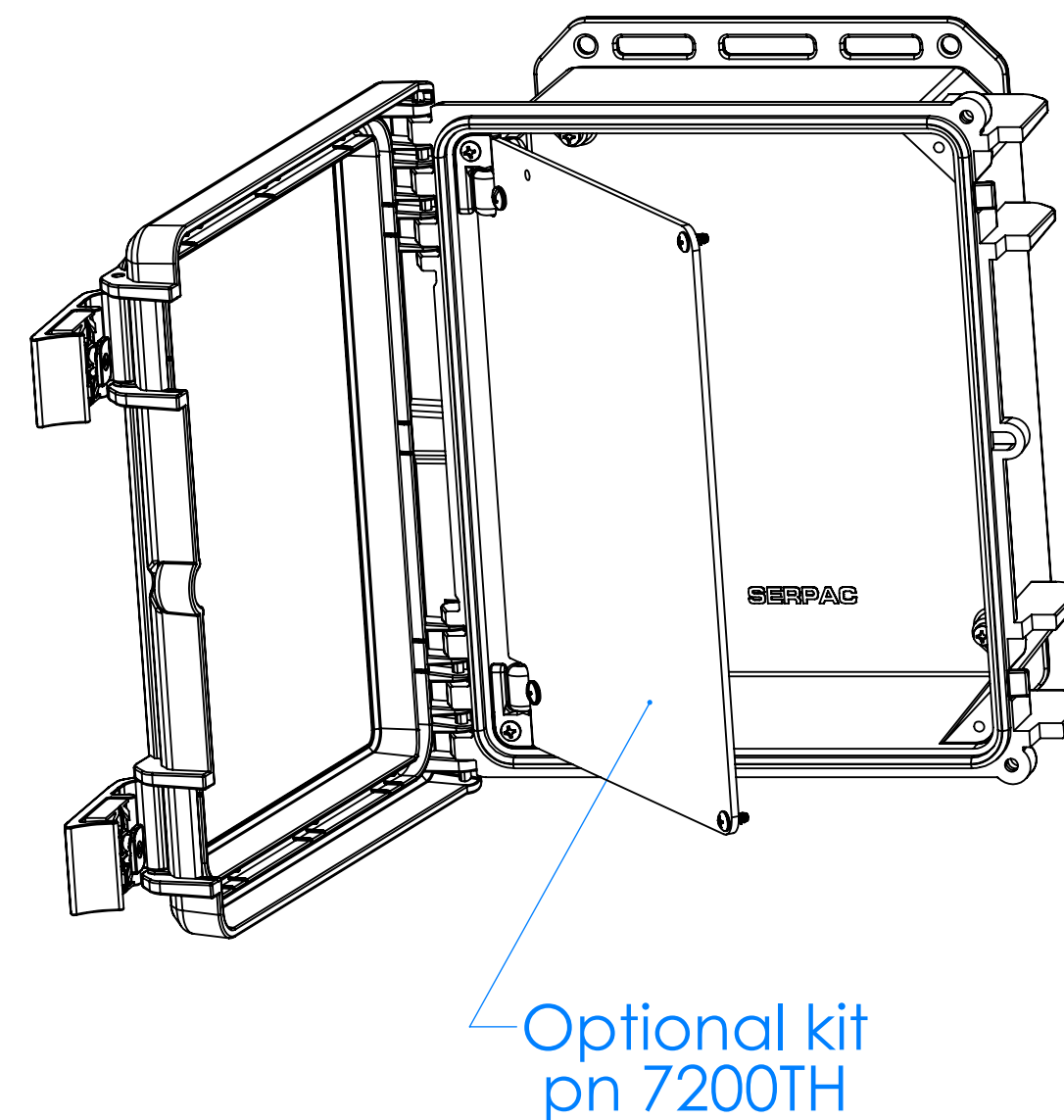
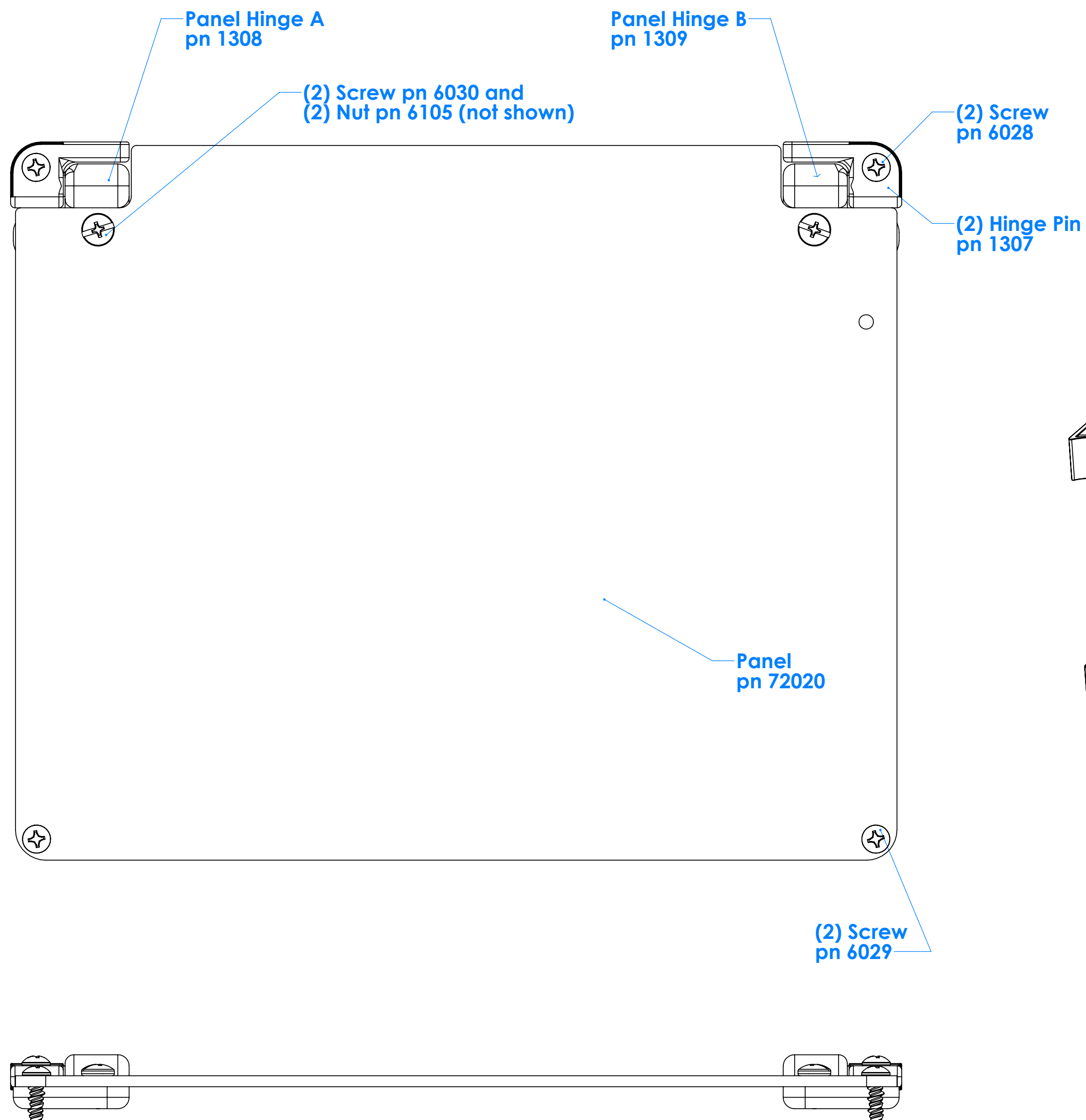
Part included in Kit number 7200B		
P/N	Qty.	Description
72000	1	Bottom Aluminum Panel
6029	4	SS #10 X 3/8" Pan HL Screw

72000 AP-3 Bottom Alum Panel

352HL, 342HL, 352HS, 342HS, 352S and 342S



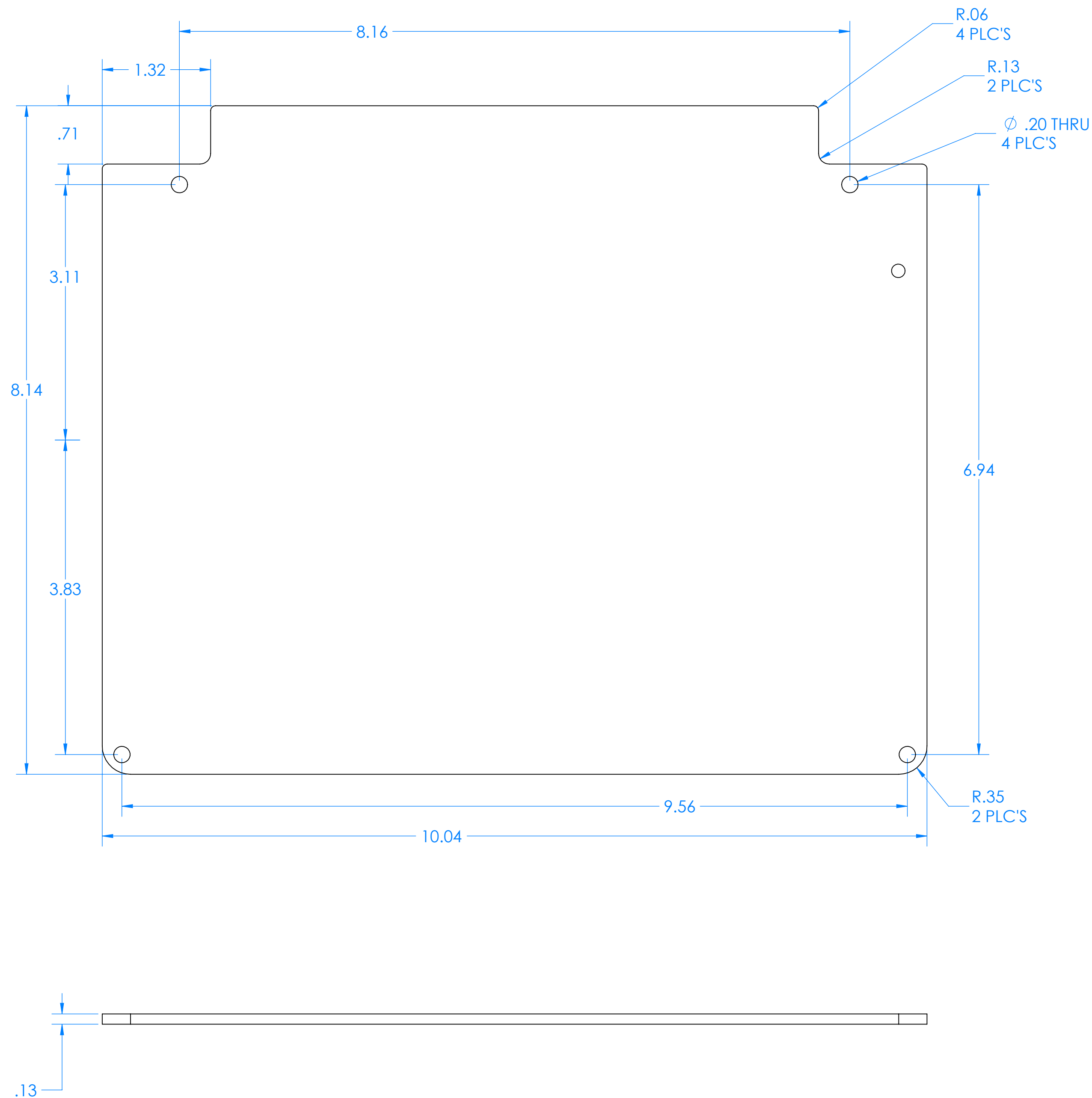
7200TH Hinged Top Panel Kit for 352HL, 342HL, 352HS, 342HS, 352S and 342S



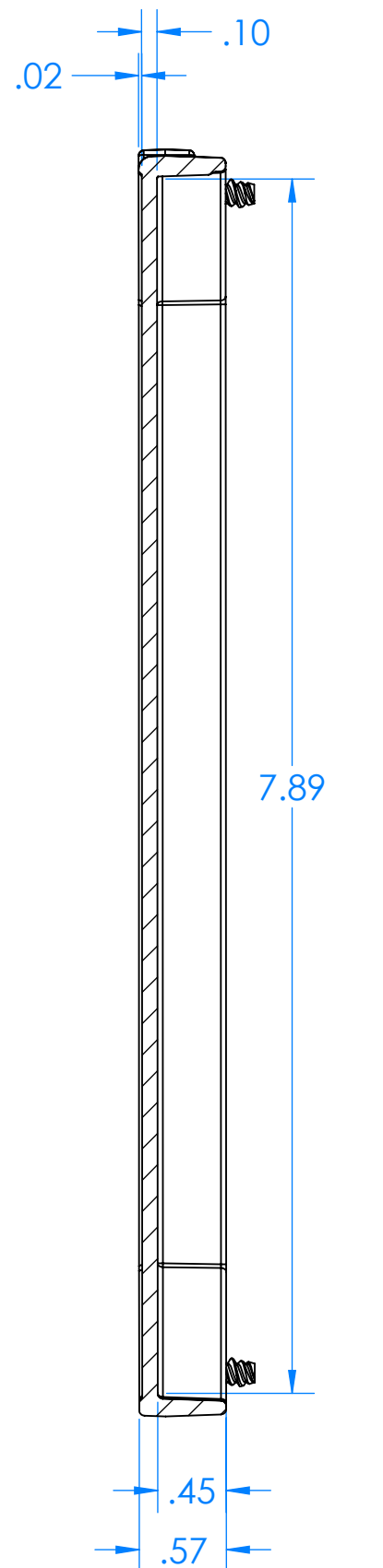
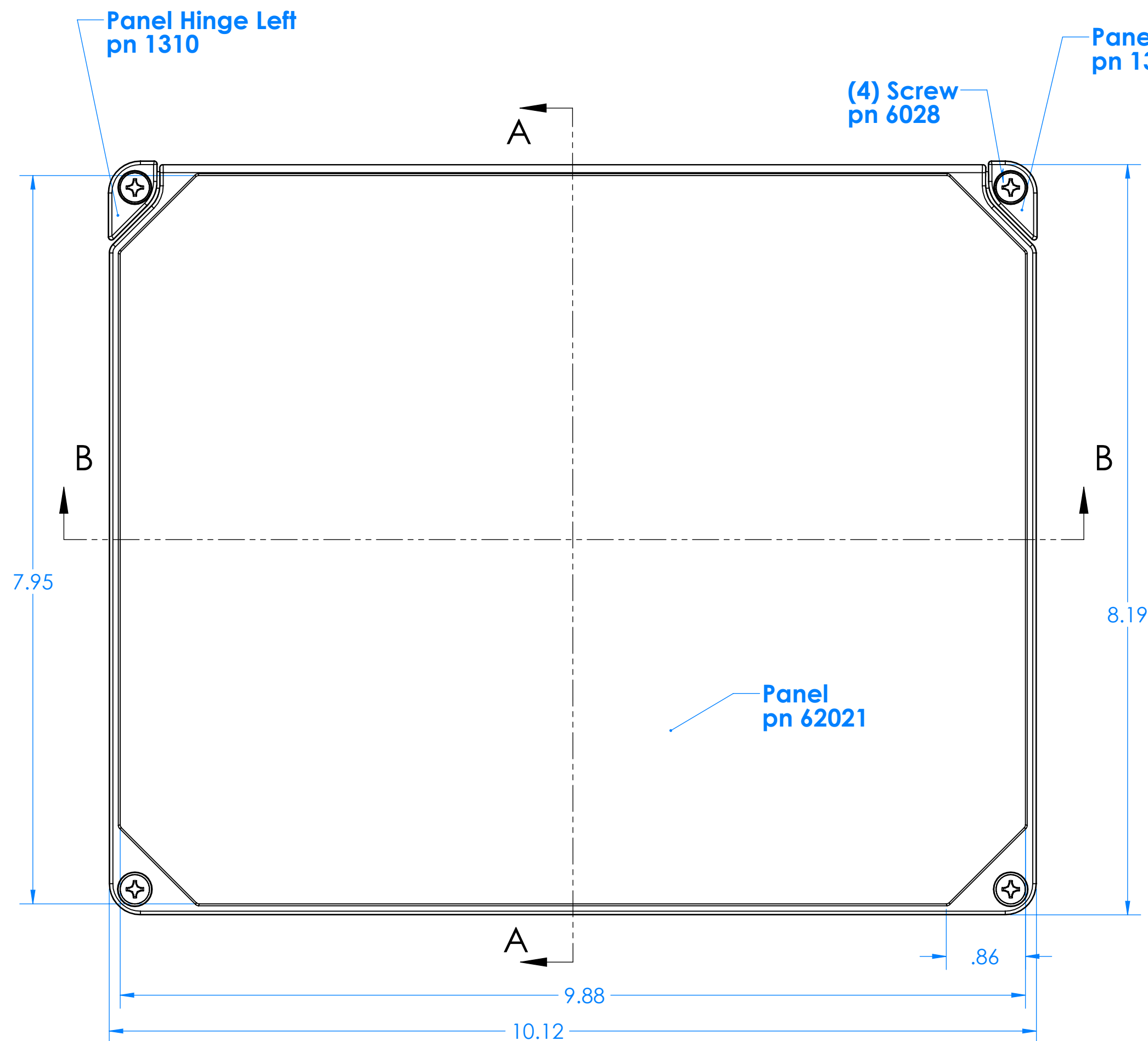
Part included in Kit number 7200TH		
P/N	Qty.	Description
72020	1	Hinged Top Aluminum Panel
6029	2	SS #10 X 3/8" Pan H/L Screw
6030	2	SS #10-32 X 3/8" PH-PN Combo Screw
6105	2	SS #10-32 Hex Nut Plain
6028	2	SS #10 X 5/8" Pan H/L Screw
1307	2	Hinge Pin
1308	1	Panel Hinge A
1309	1	Panel Hinge B

72020 AP-2 Hinged Alum Panel

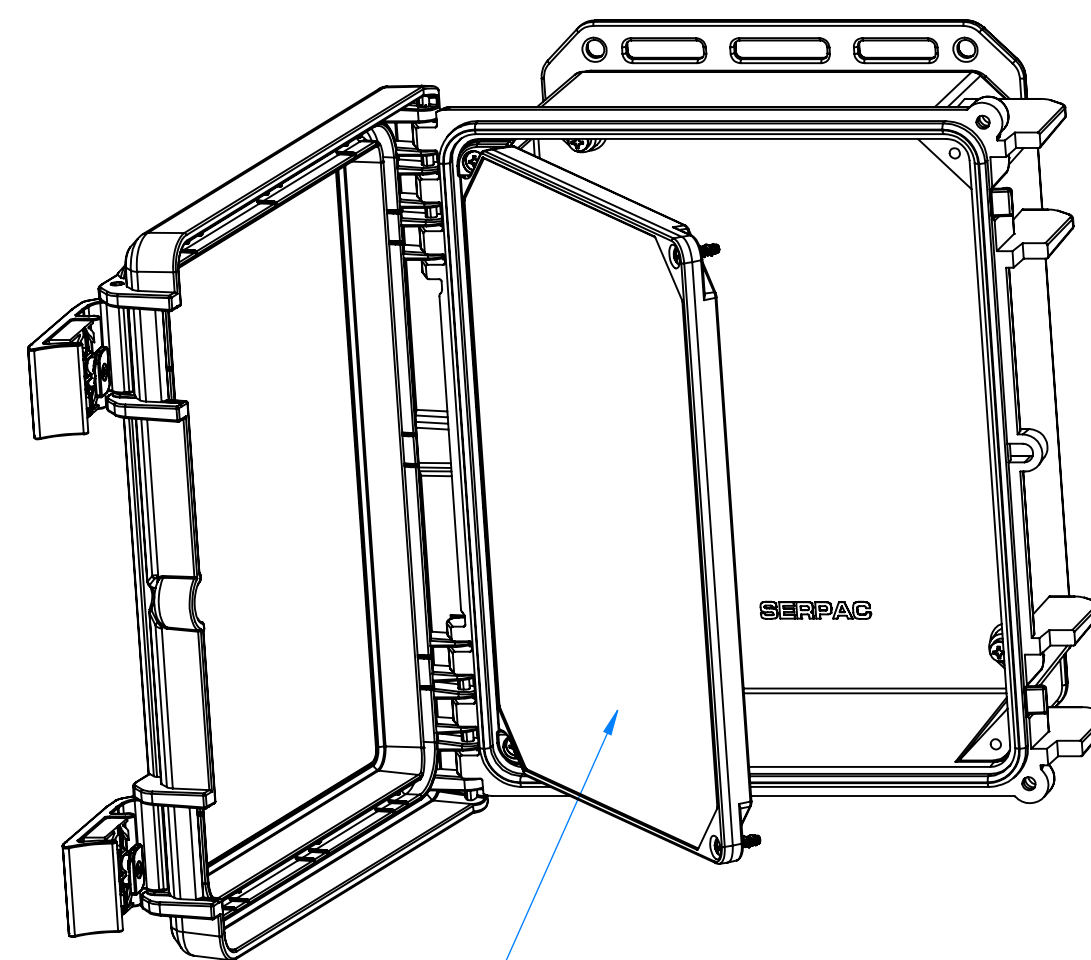
352HL, 342HL, 352HS, 342HS, 352S and 342S



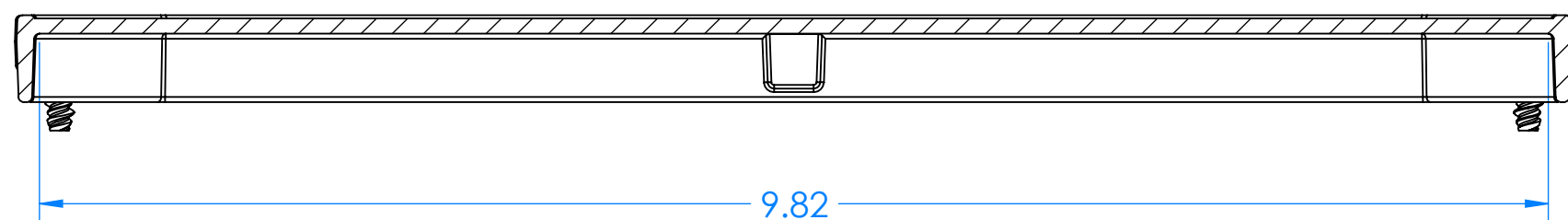
7200HP Hinged Top Plastic Panel Kit for 352HL, 342HL, 352HS, 342HS, 352S and 342S



SECTION A-A



Optional kit
pn 7200HP



SECTION B-B

Parts Included in kit number 7200HP		
P/N	Qty.	Description
72021	1	Hinged Top Plastic Panel
1310	1	Panel Hinge Left
1311	1	Panel Hinge Right
6028	4	SS #10 X 5/8" Pan H/L Screw

72021 Hinged Top Plastic Panel

352HL, 342HL, 352HS, 342HS, 352S and 342S

