



HIGH ISOLATION SPST SWITCH MODULE, DC - 20 GHz

Features

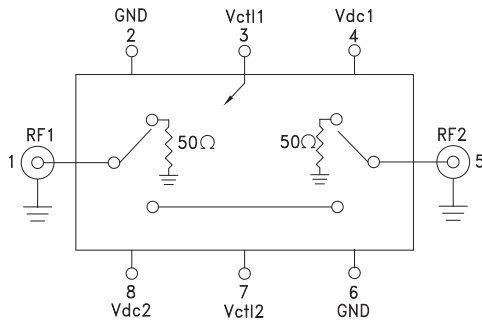
- High Isolation: 100 dB up to 4 GHz
65 dB up to 20 GHz
- Low Insertion Loss: 3.5 dB @ 10 GHz
4.0 dB @ 16 GHz
- Fast Switching RF Pulse Modulator
- Non-Reflective Topology
- Hermetically Sealed Module
- Field Replaceable SMA connectors
- 55 °C to +85 °C Operating Temperature

Typical Applications

The HMC-C019 is ideal for:

- Basestation Infrastructure
- Fiber Optics & Broadband Telecom
- Microwave Radio & VSAT
- Military Radios, Radar, & ECM
- Test Instrumentation

Functional Diagram



General Description

The HMC-C019 is a high speed, high isolation GaAs MESFET SPST switch housed in a miniature hermetic module with field replaceable SMA connectors. Covering DC to 20 GHz, the switch features 100 dB isolation up to 4 GHz and 65 dB isolation up to 20 GHz. CMOS interface allows a positive +5V bias voltage at very low DC currents. This non-reflective switch exhibits very fast switching speeds, with very low switching transients making it ideal for high speed RF pulse modulation applications.

Electrical Specifications

$T_A = +25^\circ \text{C}$, With V_{dc1} , $V_{dc2} = +5\text{V}$ & $0/+5\text{V}$ Control, 50 Ohm System

Parameter	Frequency	Min.	Typ.	Max.	Units
Insertion Loss	DC - 4 GHz		3.0	3.5	dB
	DC - 16 GHz		4.0	5.5	dB
	DC - 20 GHz		6.0	9.0	dB
Isolation	DC - 4 GHz	90	100		dB
	DC - 10 GHz	75	80		dB
	DC - 16 GHz	70	75		dB
	DC - 20 GHz	60	65		dB
Return Loss RF1 & RF2	"On State & Off State"	DC - 12 GHz	12		dB
		DC - 20 GHz	8		dB
Input Power for 1 dB Compression	0.5 - 20 GHz	20	23		dBm
Input Third Order Intercept (Two-Tone Input Power= +7 dBm Each Tone)	0.5 - 10 GHz		45		dBm
	0.5 - 20 GHz		43		dBm
Switching Characteristics tRISE, tFALL (10/90% RF) tON, tOFF (50% CTL to 10/90% RF)	DC - 20 GHz		2.5		ns
			8.5		ns
Switching Transients	DC - 20 GHz		20		mVpp

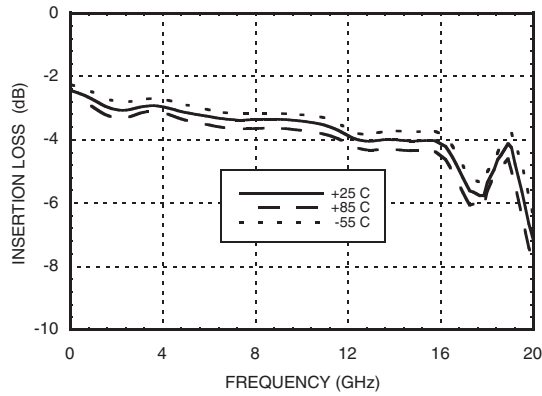
Information furnished by Analog Devices is believed to be accurate and reliable. However, no responsibility is assumed by Analog Devices for its use, nor for any infringements of patents or other rights of third parties that may result from its use. Specifications subject to change without notice. No license is granted by implication or otherwise under any patent or patent rights of Analog Devices. Trademarks and registered trademarks are the property of their respective owners.

For price, delivery, and to place orders: Analog Devices, Inc., One Technology Way, P.O. Box 9106, Norwood, MA 02062-9106
Phone: 781-329-4700 • Order online at www.analog.com
Application Support: Phone: 1-800-ANALOG-D

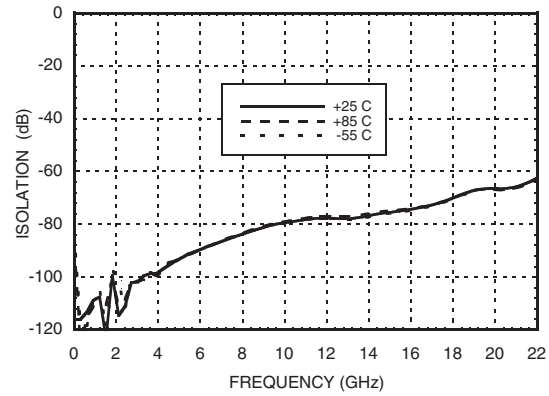


**HIGH ISOLATION SPST SWITCH
MODULE, DC - 20 GHz**

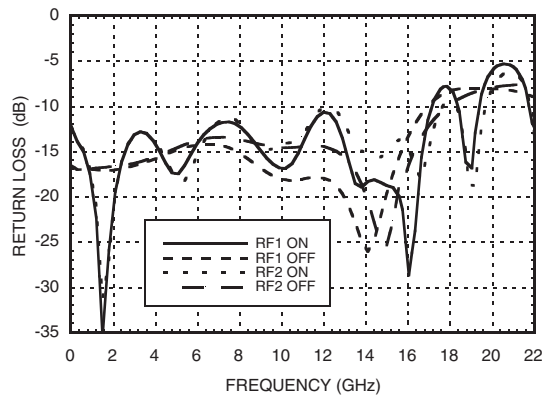
Insertion Loss



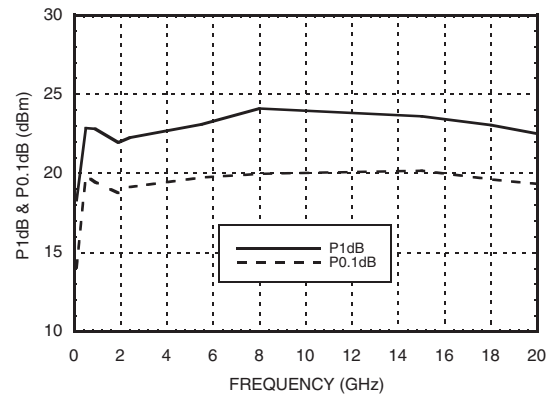
Isolation



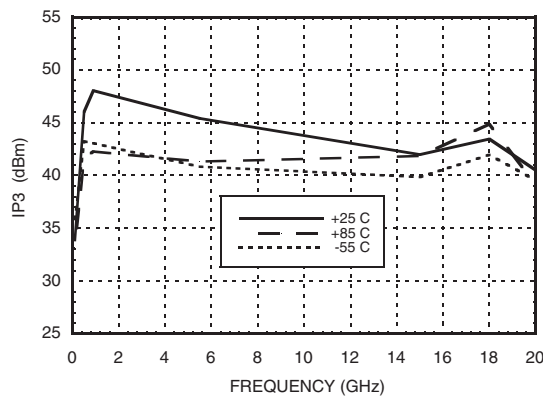
Return Loss



Input P0.1dB & P1dB Compression Point



Input Third Order Intercept Point



Information furnished by Analog Devices is believed to be accurate and reliable. However, no responsibility is assumed by Analog Devices for its use, nor for any infringements of patents or other rights of third parties that may result from its use. Specifications subject to change without notice. No license is granted by implication or otherwise under any patent or patent rights of Analog Devices. Trademarks and registered trademarks are the property of their respective owners.

For price, delivery, and to place orders: Analog Devices, Inc., One Technology Way, P.O. Box 9106, Norwood, MA 02062-9106 Phone: 781-329-4700 • Order online at www.analog.com Application Support: Phone: 1-800-ANALOG-D

HIGH ISOLATION SPST SWITCH MODULE, DC - 20 GHz



Absolute Maximum Ratings

RF Input Power	+27 dBm
Supply Voltage (Vdc1, Vdc2)	+7V
Control Voltage Range (Vctl1, Vctl2)	-0.5V to Vdd +0.5V
Hot Switch Power Level	+23 dBm
Storage Temperature	-65 to +150 °C
Operating Temperature	-55 to +85 °C



**ELECTROSTATIC SENSITIVE DEVICE
OBSERVE HANDLING PRECAUTIONS**

Control Voltages Vctl1 & Vctl2

State	Bias Condition
High	+3.5 to Vdc @ 1 mA Typ.
Low	0 to +1.5V @ 20 µA Typ.

Truth Table

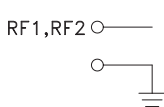

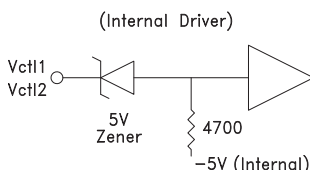
Control Input (Vctl1 & Vctl2)	RF1 to RF2 Path
High	On
Low	Off

Bias Voltage & Current

Vdc Range = +5 Vdc ± 10%	
Vdc1 & Vdc2 (V)	Idc (Typ.) (mA)
+5	2.8

(Bias current increases with switching rate to 15 - 20 mA.)

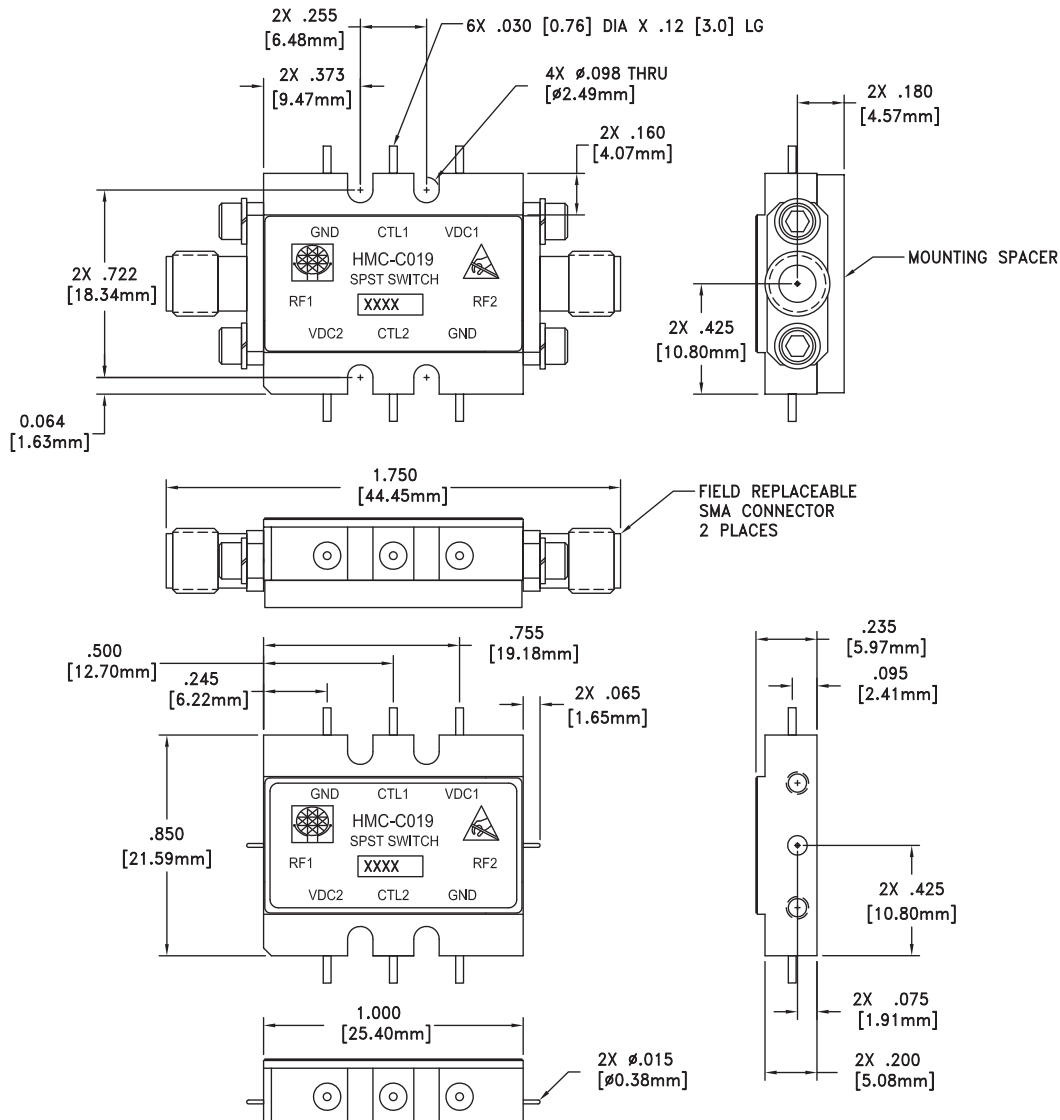
Pin Descriptions

Pin Number	Function	Description	Interface Schematic
1, 5	RF1, RF2	RF connector, SMA female, field replaceable. These pins are DC coupled and matched to 50 Ohms. DC blocking capacitors are required if external RF line potential is not equal to 0V.	
2, 6	GND	Power supply ground.	
3, 7	Vctl1, Vctl2	CMOS interface, control voltages per table. Requires active pullup to +5V.	
4, 8	Vdc1, Vdc2	Supply voltage (+5V ±10%)	

**HIGH ISOLATION SPST SWITCH
MODULE, DC - 20 GHz**



Outline Drawing



VIEW SHOWN WITH CONNECTORS REMOVED

Package Information

Package Type	C-9
Package Weight ^[1]	18.7 gms ^[2]
Spacer Weight	3.3 gms ^[2]

[1] Includes the connectors

[2] ±1 gms Tolerance

NOTES:

- 1.0 PACKAGE, LEADS, COVER MATERIAL: KOVAR™
- 2.0 FINISH: GOLD PLATE OVER NICKEL PLATE
- 3.0 ALL DIMENSIONS ARE IN INCHES [MILLIMETERS].
- 4.0 TOLERANCES:
- 4.1 .XX = %%P.02
- 4.2 .XXX = %%P.010
- 5.0 MARK LOT NUMBER ON .080 X .250 LABEL WHERE SHOWN, WITH .030 MIN TEXT HEIGHT.
- 6.0 MOUNTING SPACER PART NUMBER 111532.