

6

5

4

3

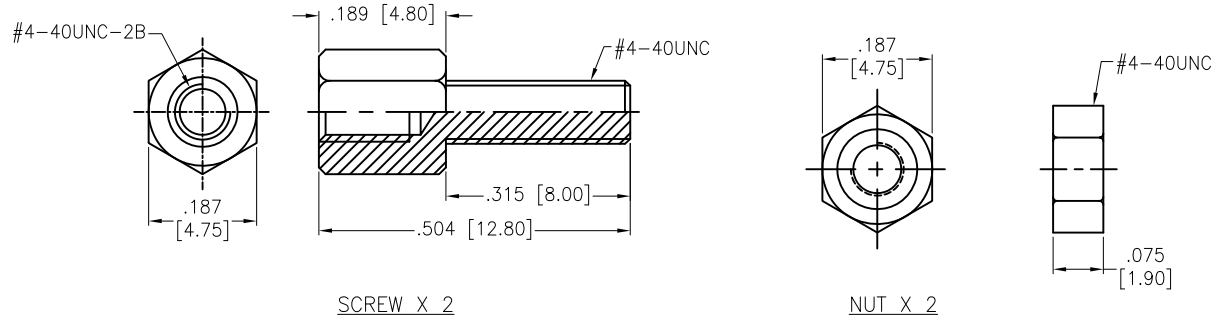
2

1

APPROVED: \_\_\_\_\_

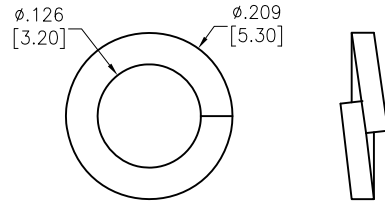
DATE: \_\_\_\_\_ TITLE: \_\_\_\_\_

Rev	AWO #	Description	Date	Appr
-		RELEASED	03/11/05	
A		UPDATED DRAWING	5/4/17	HR/CH

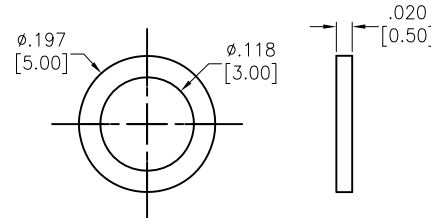


SCREW X 2

NUT X 2



SPLIT WASHER X 2



FLAT WASHER X 2

SPECIFICATIONS:

Material:  
 Screw: Brass, Nickel plated  
 Nut: Steel, Nickel plated  
 Washer: Steel, Nickel plated  
 Environmental:  
 Lead free, RoHS compliant.



UNLESS OTHERWISE SPECIFIED ALL DIMENSIONS ARE INCHES [MM] TOLERANCES: EXCEPT AS NOTED INCHES HOLES .X ± .10 Ø.X ± .10 .XX ± .020 Ø.XX ± .015 .XXX ± .015 Ø.XXX ± .010		<b>ADAM TECH</b> 909 Rahway Avenue, Union, NJ 07083 Phone: 908-687-5000 Fax: 908-687-5710	
APPROVALS		DATE	
DRAWN	SS	03/11/05	
CHECKED			
APPROVED			
TITLE		<b>HARDWARE SCREW KIT</b>	
SIZE	PART NO.	REV.	
X	HDW-023	A	
REF:	S00064T	SCALE:	NTS SHEET 1 OF 1

6

5

4

3

2

1