

# HDT Series

## Micro Mini Surface Mount Detect Switches



### Features/Benefits

- Low profile package
- Design allows top or side actuation
- Low actuation force, 35 grams max.
- Pick and place compatible, available in tape & reel packaging
- RoHS compliant and compatible
- Halogen free

### Typical Applications

- Consumer electronics
- Computers
- Medical devices
- ATCA and MicroTCA devices

### Specifications

CONTACT RATING: 1 mA 5 VDC; 10 mA 5 VDC  
 MECHANICAL AND ELECTRICAL LIFE: 100,000 cycles min.  
 CONTACT RESISTANCE: 500 m Ω max. initial.  
 INSULATION RESISTANCE: 100 M Ω min. between adjacent contacts.  
 OPERATING TEMPERATURE: -40°C to + 85°C  
 STORAGE TEMPERATURE: -40°C to + 85°C  
 PACKAGING: Tape & reel

### Materials

BASE: PA 46 (UL94V-0)  
 COVER: PA 46 (UL94V-0)  
 ACTUATOR: PA 46 (UL94V-0)  
 MOVABLE BLADE: Stainless Steel, Ag over Ni plating.  
 TERMINALS: Phosphor Bronze, Ag plating.  
 SOLDERABILITY: Lead free compatible - No clean.

**NOTE:** Specifications and materials listed above are for switches with standard options. For information on specific and custom switches, consult Customer Service Center.

### How To Order


Part number list is shown below. For individual part details, please refer to the following pages.

Part Number (Part Description)	Product Details
HDT0001	Micro mini surface mount detect switches normaly open with locating posts
HDT0001NP	Micro mini surface mount detect switches normaly open without locating posts
HDT0004	Micro mini surface mount detect switches normaly open without locating posts
HDT0104	Micro mini surface mount detect switches normaly open without locating posts
HDT0204	Micro mini surface mount detect switches normaly open with locating posts
HDT0301	Micro mini surface mount detect switches normaly open without locating posts

# HDT Series

## Micro Mini Surface Mount Detect Switches

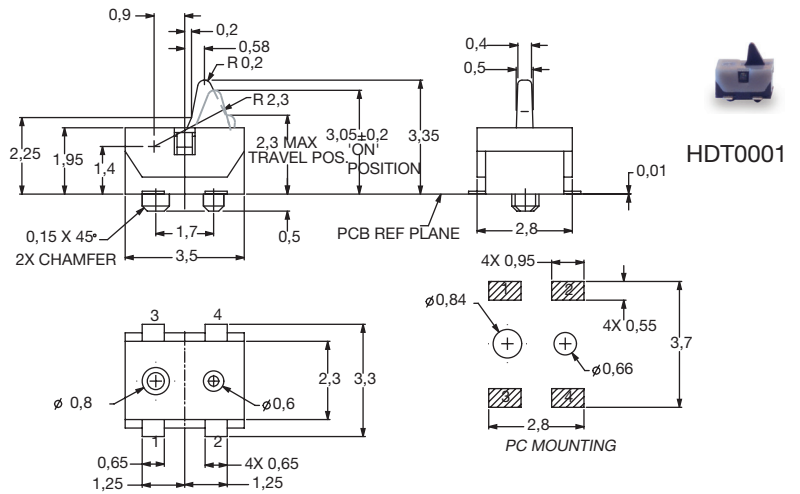
Complete part numbers for HDT Series are shown below.

PART NUMBER	PACKAGING	SCHEMATIC
<b>HDT0001</b>	TAPE & REEL 2,450 per reel	

**NOTE:** Available with no locating posts by adding "NP" (HDT0001NP) to Part Number.

**TRAVEL:**

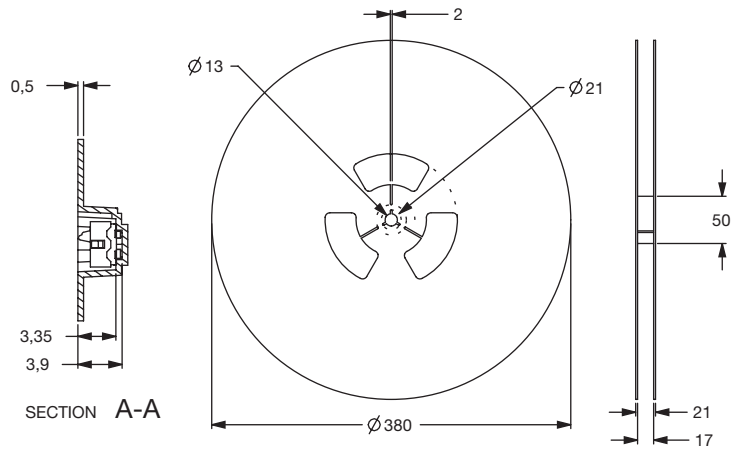
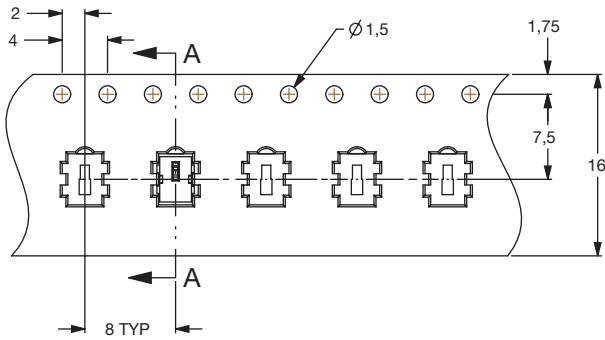
- Pre-travel: 0.3 mm
- Overtravel: 0.75 mm
- Total: 1.05 mm



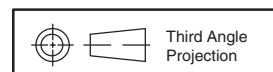
HDT0001

### TAPE & REEL

**HDT0001**



Detect



Dimensions are shown: mm  
Specifications and dimensions subject to change

# HDT Series Micro Mini Surface Mount Detect Switches

## HDT0004

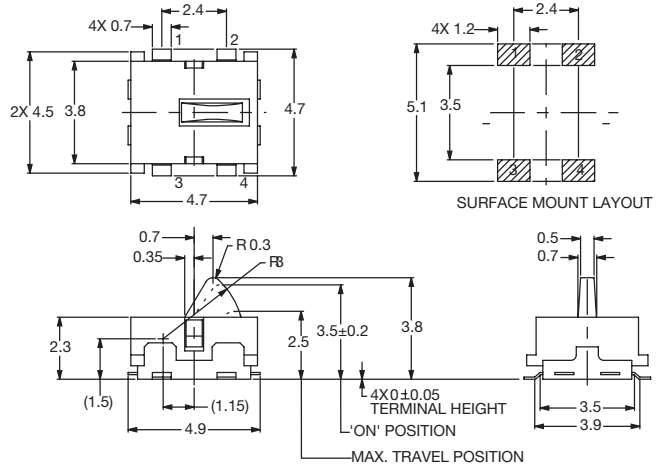


HDT0004

PART NUMBER	PACKAGING	SCHEMATIC
<b>HDT0004</b>	TAPE & REEL 2,800 per reel	

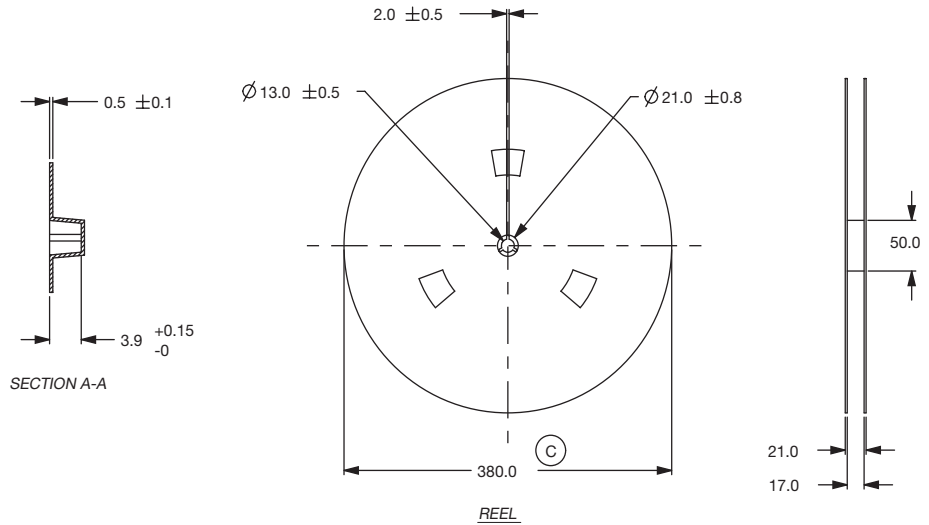
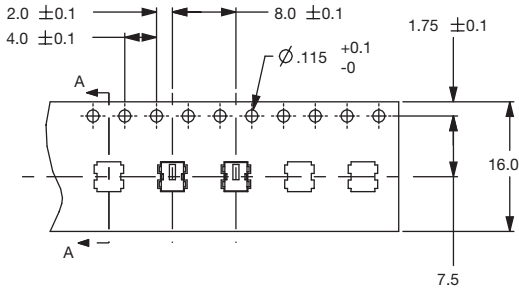
**TRAVEL:**

Pre-travel: 0.3 mm  
Overtravel: 1.0 mm  
Total: 1.3 mm



## TAPE & REEL

**HDT0004**



## HDT0104



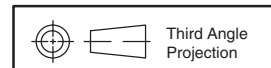
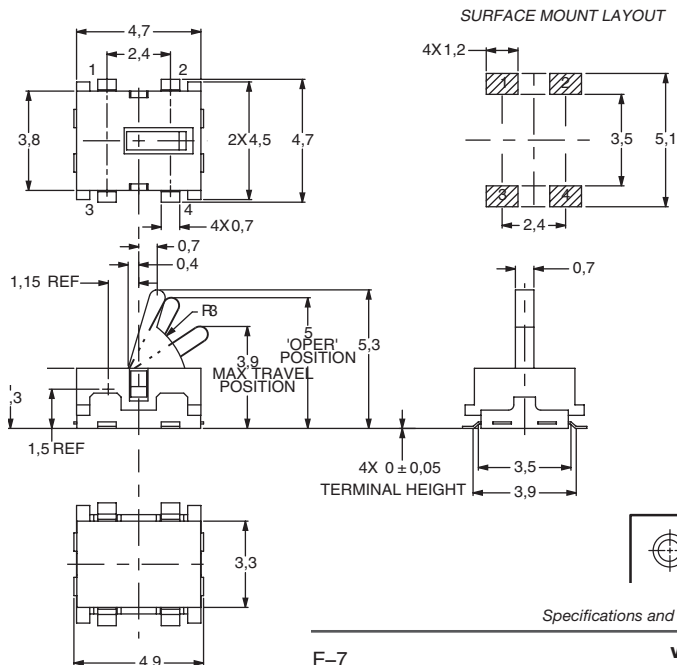
HDT0104

PART NUMBER	PACKAGING	SCHEMATIC
<b>HDT0104</b>	TAPE & REEL 2,500 per reel	

**NOTE:** This product comes without locating post

**TRAVEL:**

Pre-travel: 0.3 mm  
Overtravel: 1.1 mm  
Total: 1.4 mm



Dimensions are shown: mm  
Specifications and dimensions subject to change



24 Oct 22

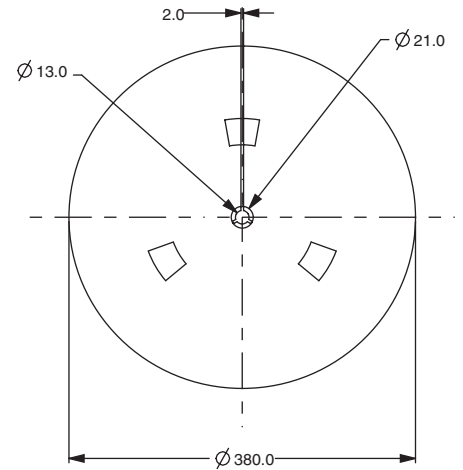
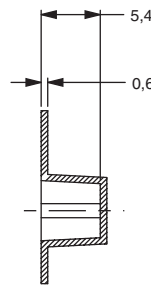
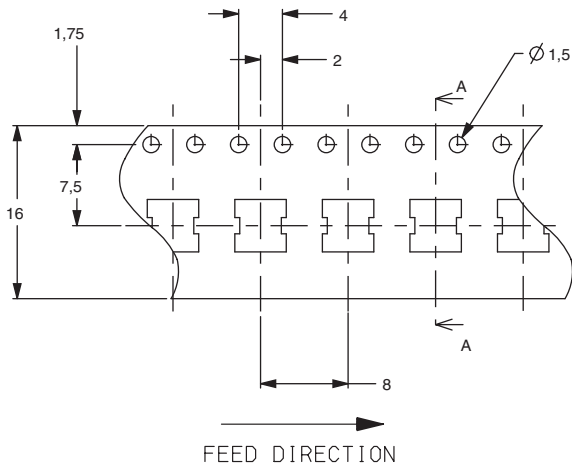


Detect

# HDT Series Micro Mini Surface Mount Detect Switches

## TAPE & REEL

### HDT0104



### HDT0204



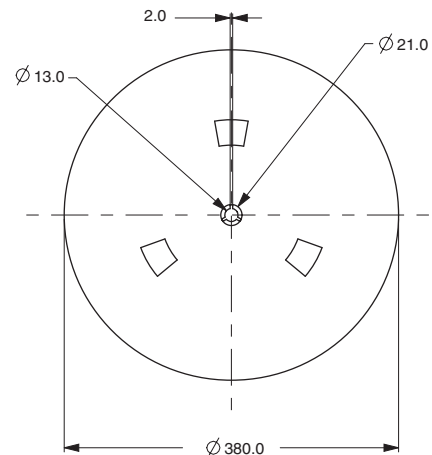
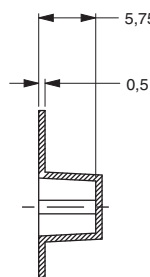
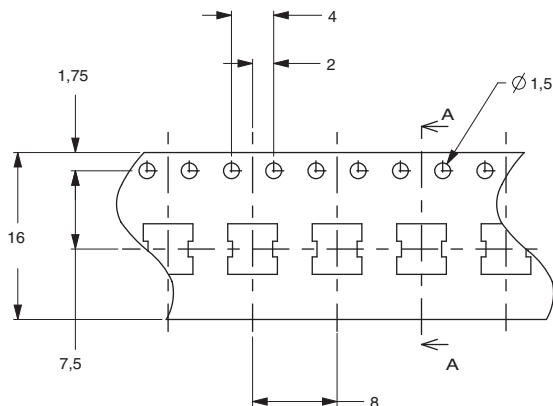
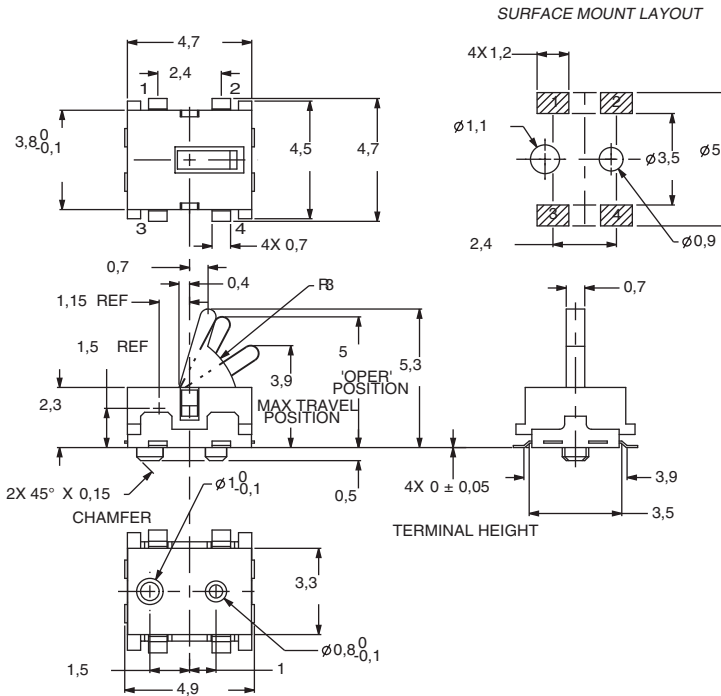
HDT0204

PART NUMBER	PACKAGING	SCHEMATIC
<b>HDT0204</b>	TAPE & REEL 1,400 per reel	

**NOTE:** This product comes with locating post

**TRAVEL:**

- Pre-travel: 0.3 mm
- Overtravel: 1.1 mm
- Total: 1.4 mm



Detect



# HDT Series Micro Mini Surface Mount Detect Switches

## HDT0301



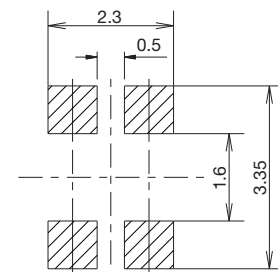
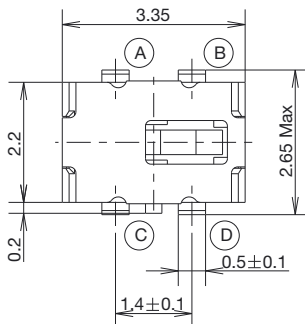
HDT0301

PART NUMBER	PACKAGING	SCHEMATIC
<b>HDT0301</b>	TAPE & REEL 3,000 per reel	

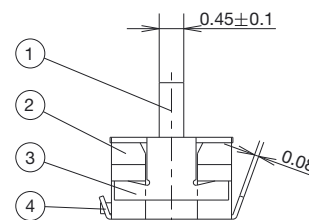
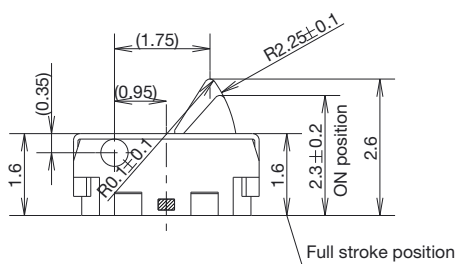
Note: Terminals B/D are for mechanical attachment to PCB. They are non-switching and may or may not be shorted internally.

### TRAVEL:

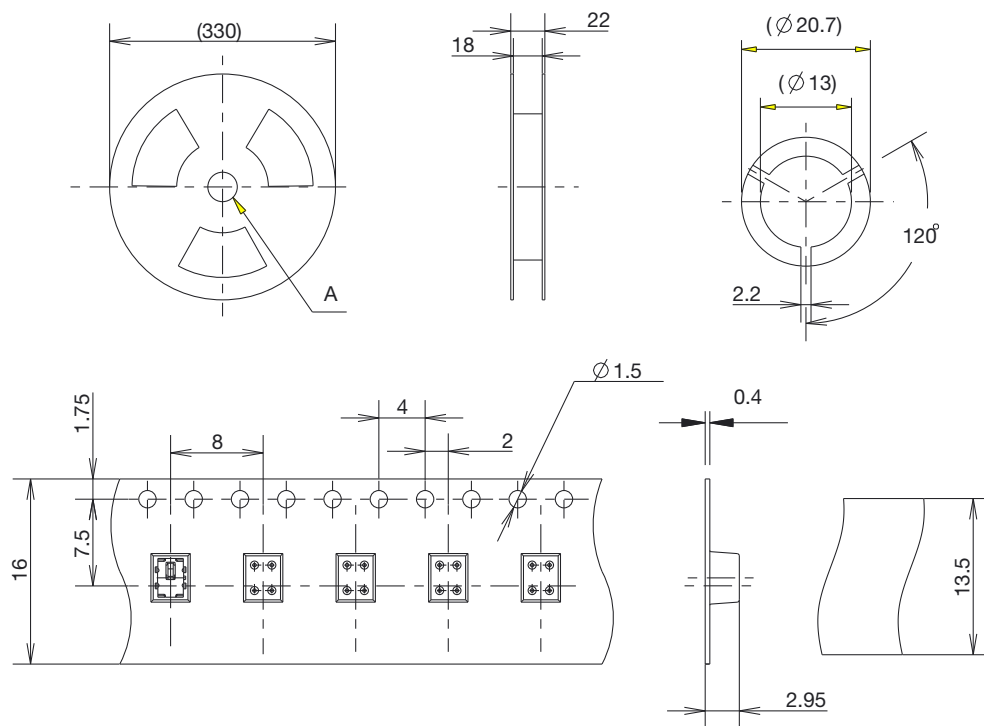
- Pre-travel: 0.3 mm
- Overtravel: 0.7 mm
- Total: 1.0 mm



PCB LAND DIMENSION  $\pm 0.05$



## TAPE & REEL



→ Roll-direction

