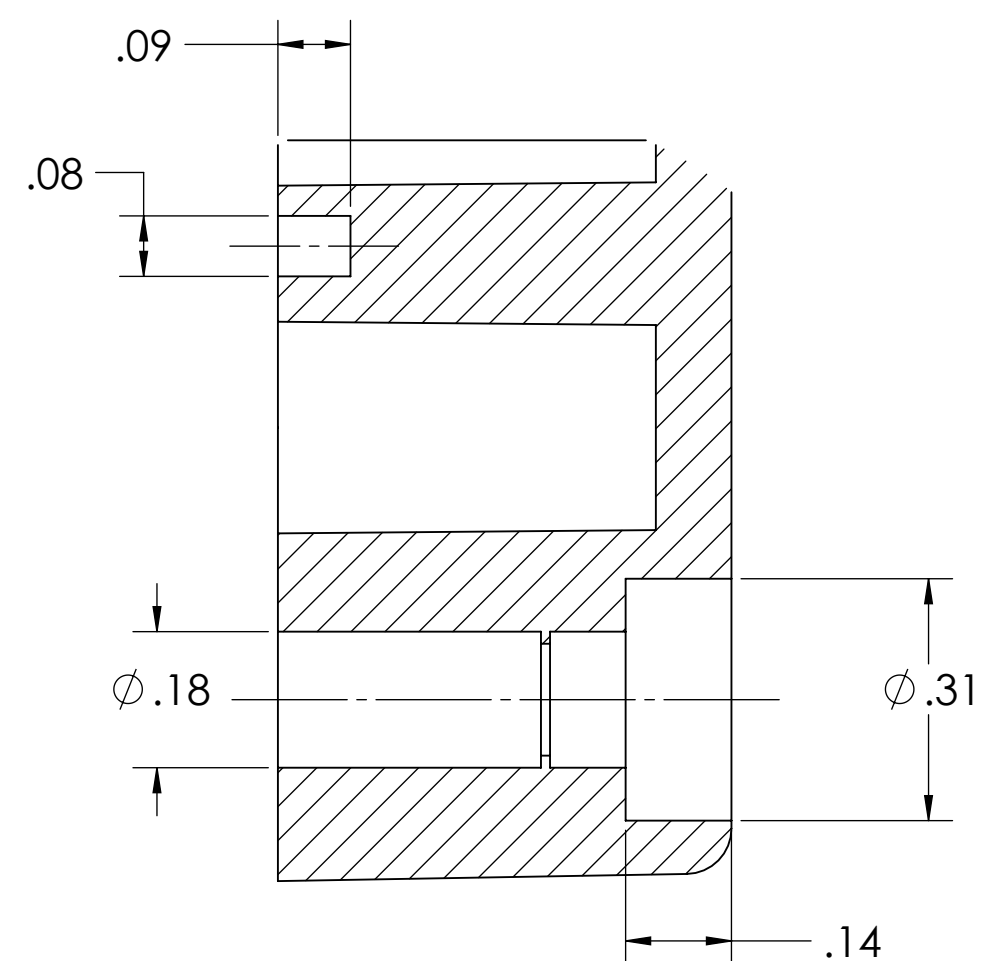
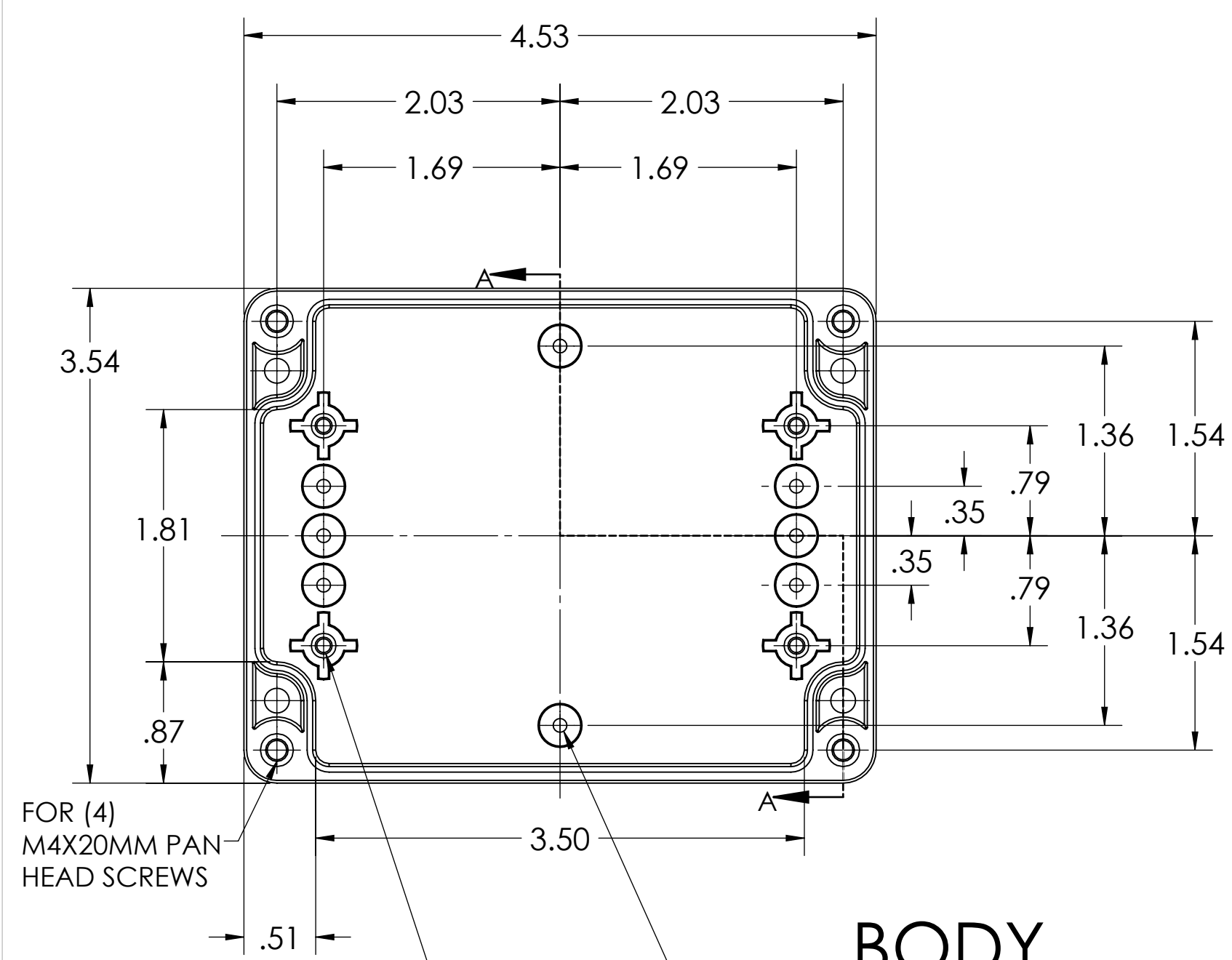
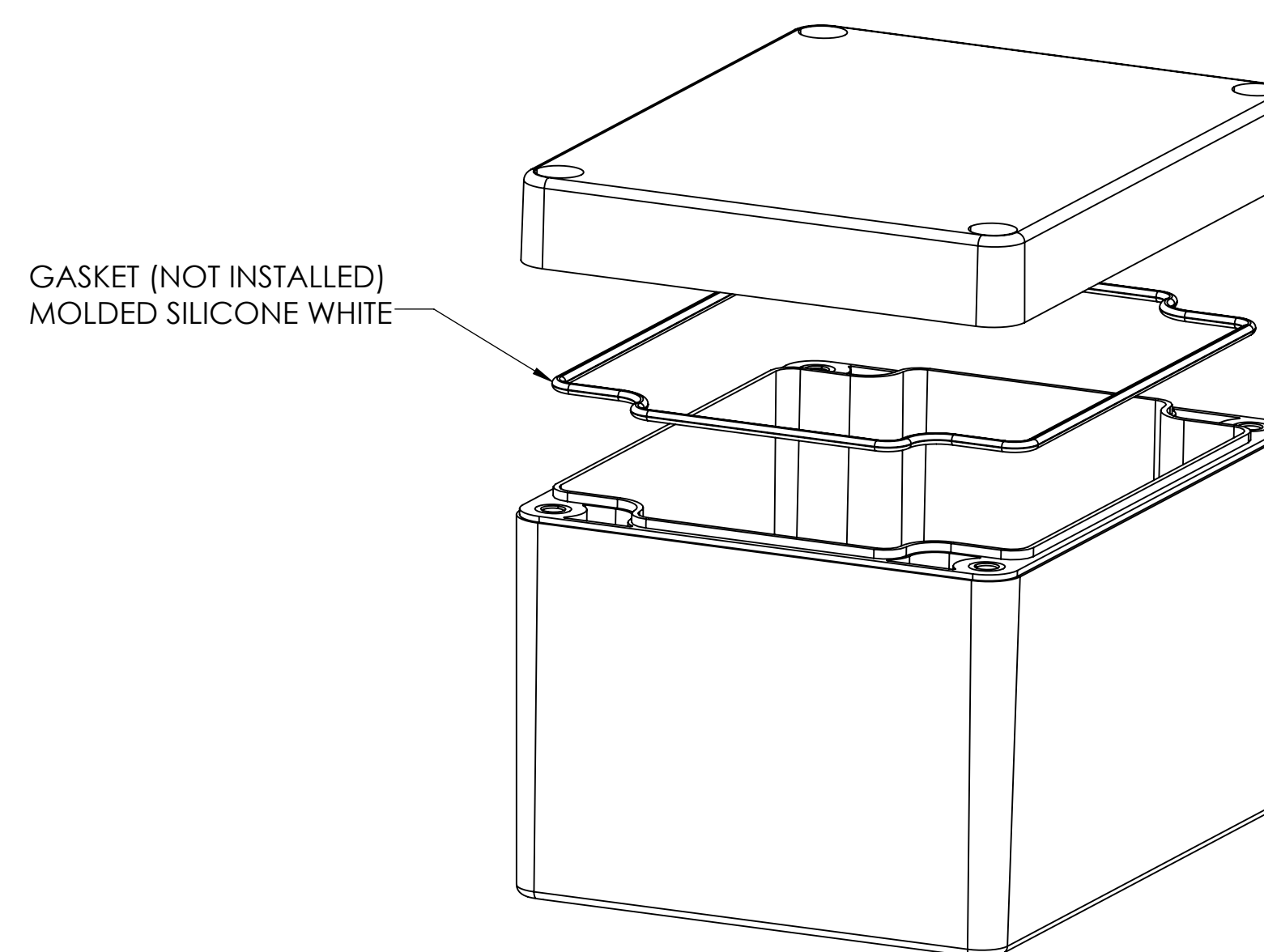
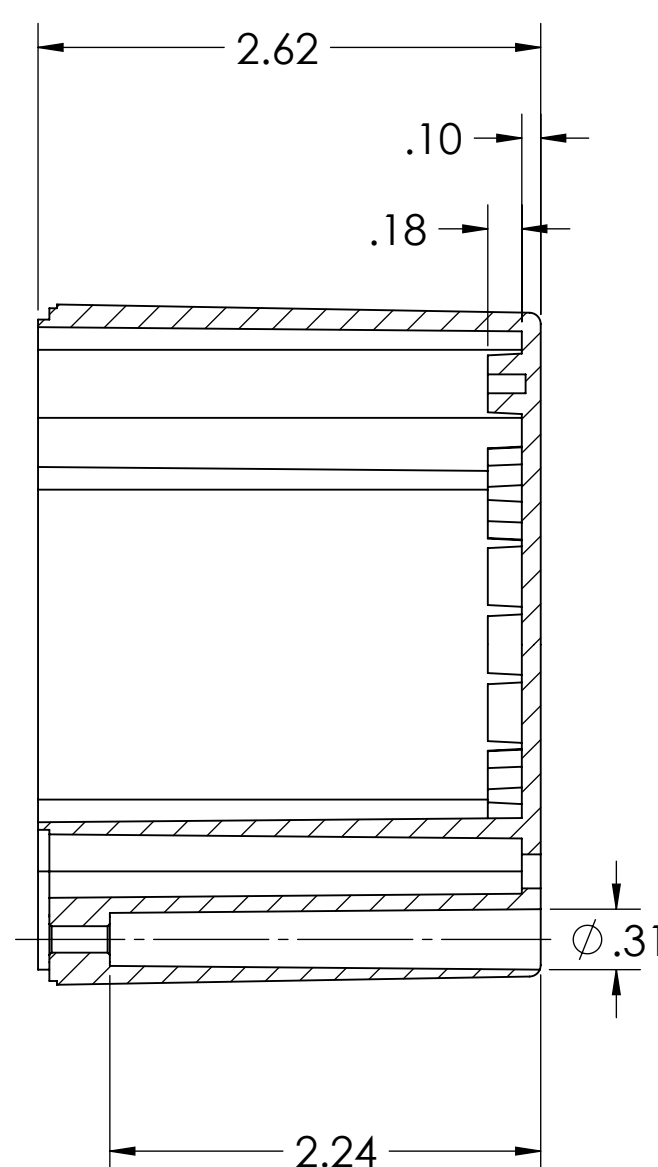
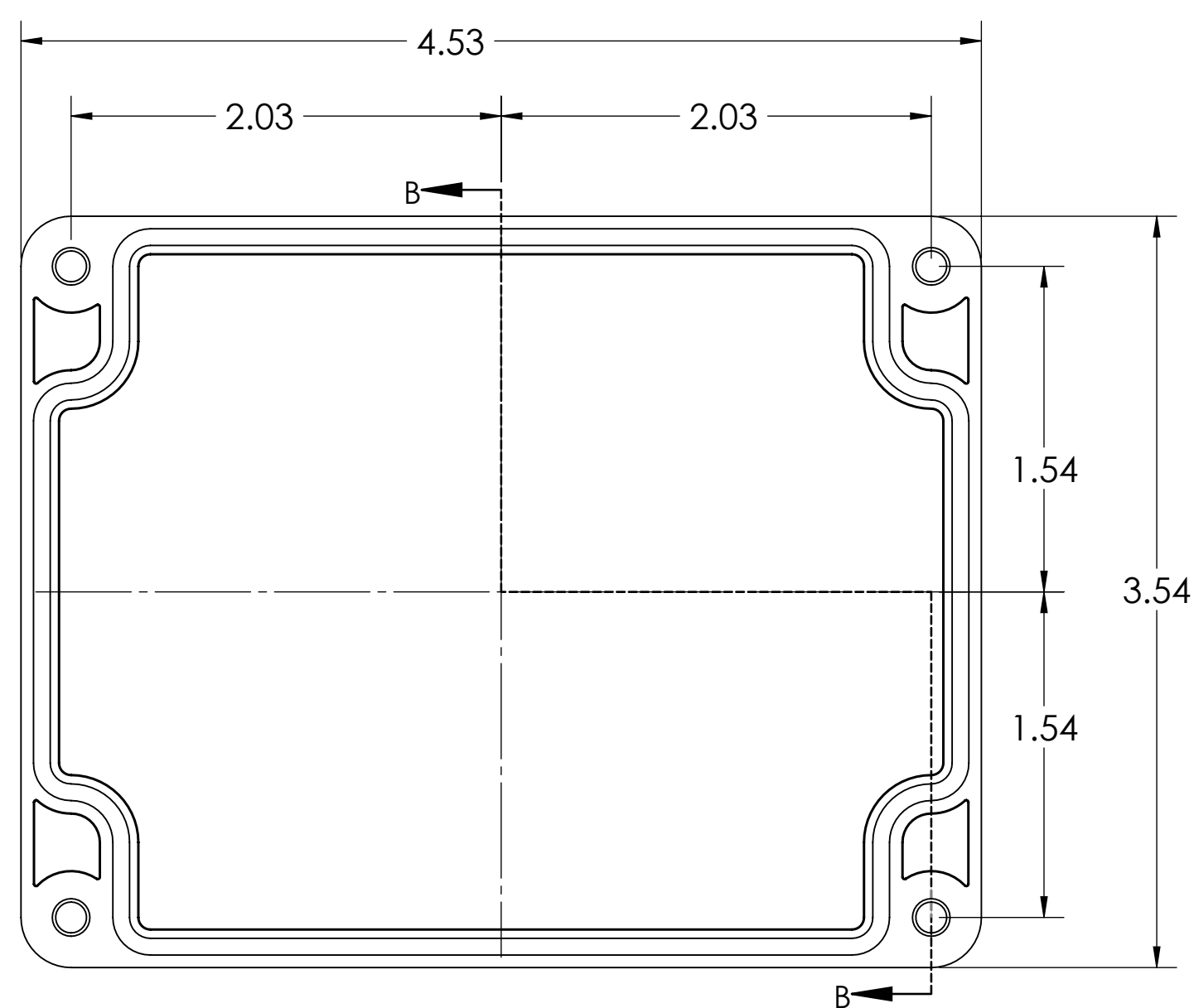
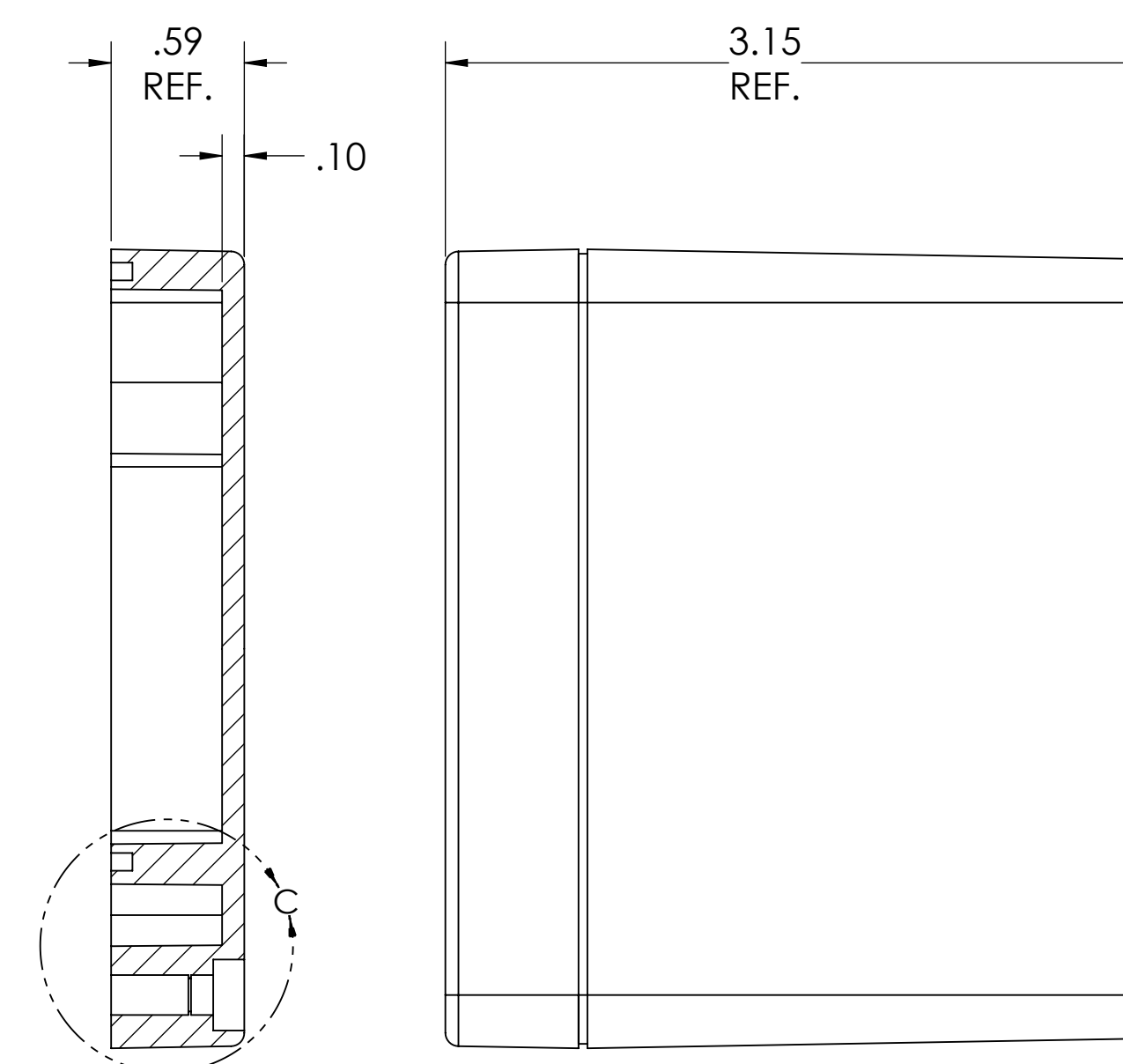


## NOTES:

1. MATERIAL AND FLAMMABILITY.  
POLYCARBONATE (LIGHT GRAY AND CLEAR) - UL94-HB  
BODY, COVER AND CLEAR COVER (C)  
FLAMMABILITY RATING (UL FILE #E41613)  
SERVICE TEMPERATURE RANGE: -40°C TO +120°C
2. UL 508A (E352997) UL CERT OF COMPLIANCE.: BOXES UL LISTED  
NEMA TYPE 6P STANDARD. DESIGNED MEETS IP68 OF IEC529  
REQUIREMENTS. PC VERSION UV RESISTANT FOR OUT DOOR USE.
3. GASKET (NOT INSTALLED) MOLDED SILICONE WHITE
4. DIMENSIONS ARE INCH


 DETAIL C  
SCALE 4 : 1

**BODY**

 M3X6 TAPPING SCREWS X 8  
(SCREWS NOT SUPPLIED)

 M3X5 THREADED  
INSERTS X 4 (SCREWS  
NOT SUPPLIED)

 SECTION A-A  
SCALE 1 : 1

**COVER**

 SECTION B-B  
SCALE 1 : 0.75