

PART NAME

NEMA 4X PLASTIC BOX w/EXTERNAL MTG. BRKT.

PART No.

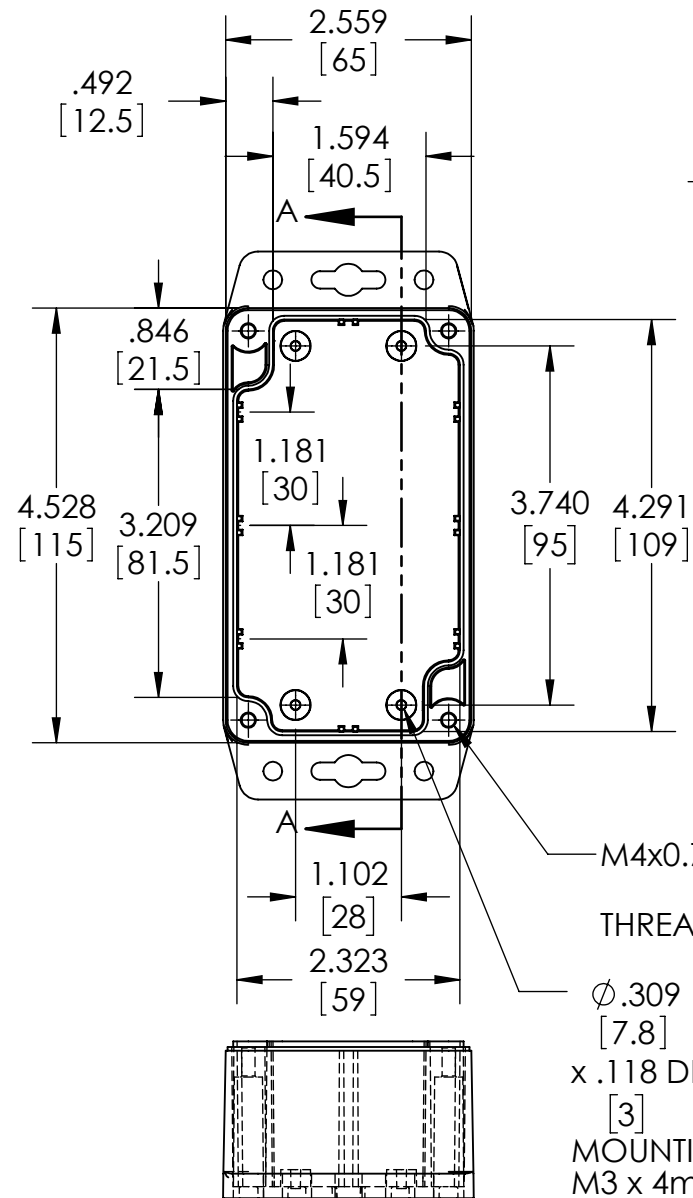
PN-1322-MB PN-1322-CMB PN-1322-DGMB

REVISION DATE

3-13-17

MATERIAL & FINISH:

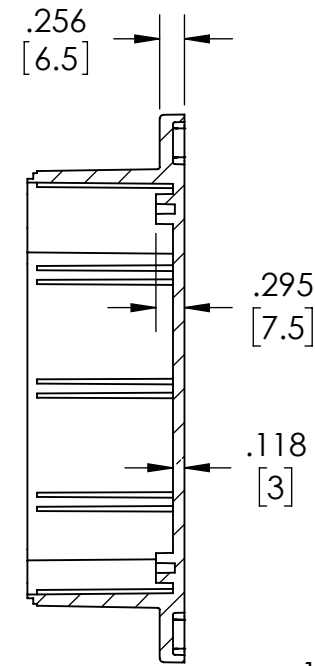
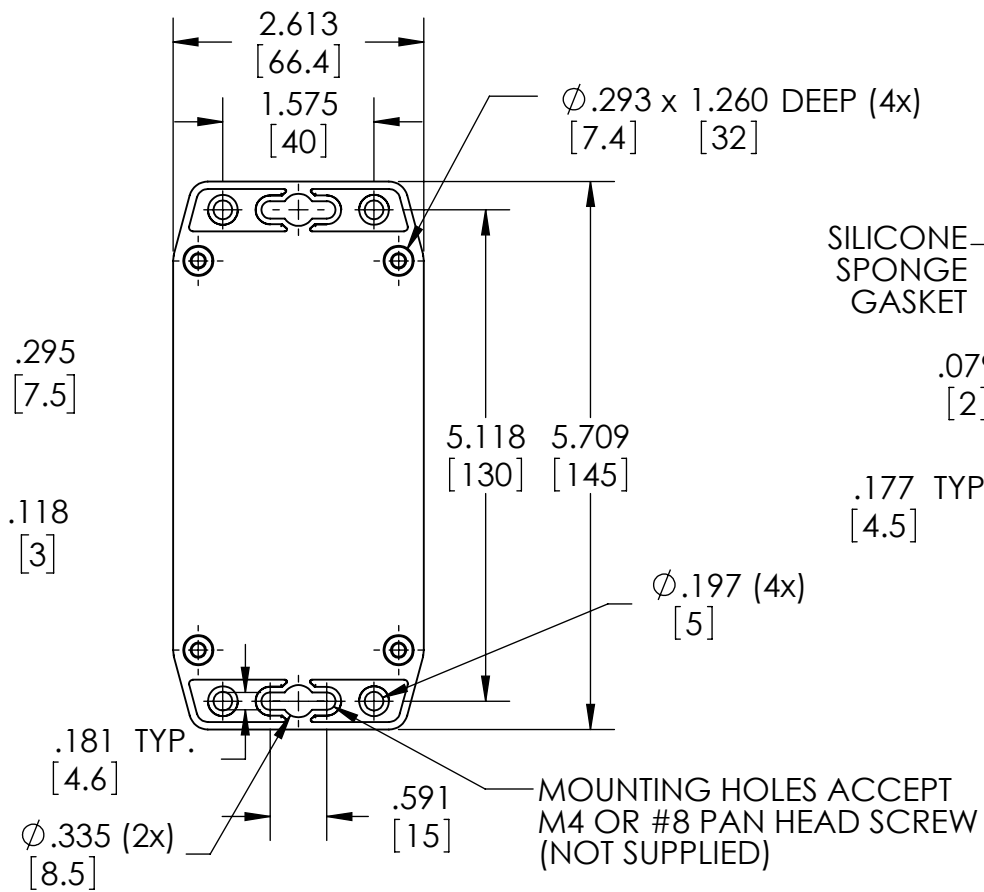
(-MB SUFFIX PART NO.) POLYCARBONATE UL94-HB, UV STABILIZED, SERVICE TEMPERATURE RANGE: -40°C TO +120°C, LIGHT GRAY BODY & COVER.
 (-CMB SUFFIX PART NO.) SAME AS -MB EXCEPT CLEAR COVER.
 (-DGMB SUFFIX PART NO.) ABS UL94-HB, SERVICE TEMPERATURE RANGE: -40°C TO +80°C, DARK GRAY BODY & COVER.



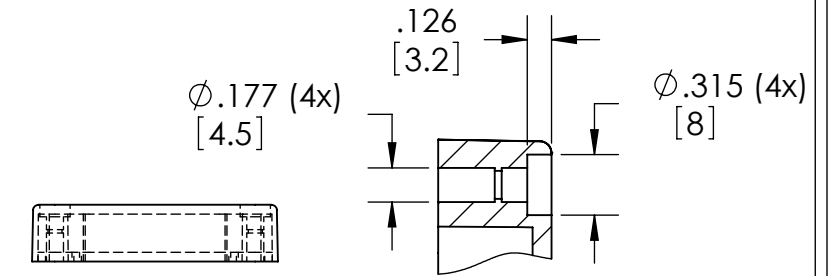
M4x0.7 x .315 LG.
 [8]
 THREADED BRASS INSERT (4x)

Ø.309 BOSS WITH Ø.098 HOLE
 [7.8] [2.5]
 x .118 DEEP (4x)
 [3]

MOUNTING BOSSES ACCEPT
 M3 x 4mm LG. OR #4 x 3/16" LG.
 SELF-TAPPING SCREWS
 (NOT SUPPLIED)

BODY**SECTION A-A**

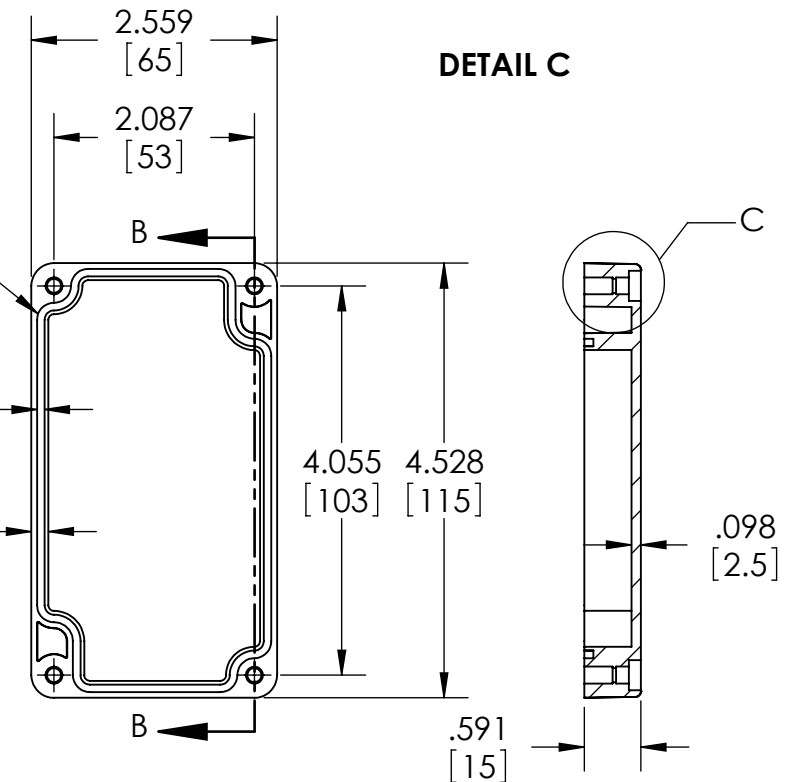
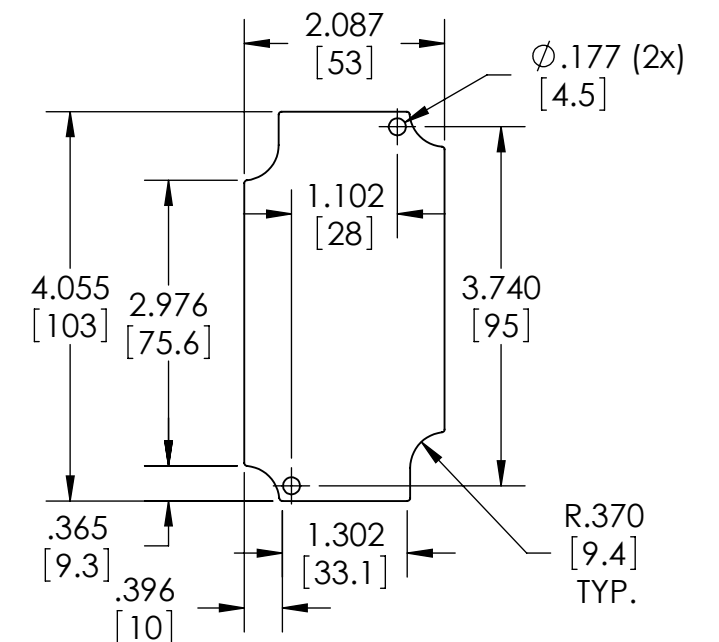
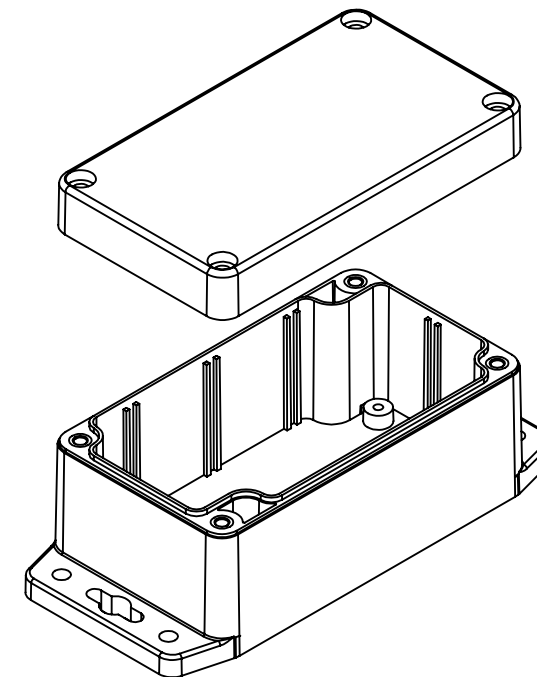
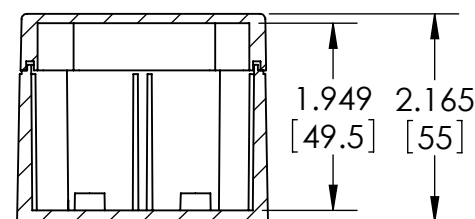
MOUNTING HOLES ACCEPT
 M4 OR #8 PAN HEAD SCREW
 (NOT SUPPLIED)

**DETAIL C**

SILICONE
 SPONGE
 GASKET

.079
 [2]

.177 TYP.
 [4.5]

**COVER****SECTION B-B****SUGGESTED PC BOARD LAYOUT**

NOTES:

- 1.) FOUR (4) M4x0.7 x 20mm (.787") LG. STAINLESS STEEL SCREWS SUPPLIED FOR ASSEMBLY OF COVER TO BODY.
- 2.) BOXES DESIGNED TO MEET FOLLOWING STANDARDS:
 NEMA 1, 2, 4, 4X, 12, 13 AND IEC529-IP65 REQUIREMENTS.
- 3.) ALL HOLE DIAMETERS HAVE ±.005[.12] TOLERANCE.
 ALL OTHER DIMENSIONS HAVE ±.015[.38] TOLERANCE.
- 4.) ALL OUTSIDE DRAFT ANGLE: 1°
 ALL INSIDE DRAFT ANGLE: 1/2°