



PART NAME

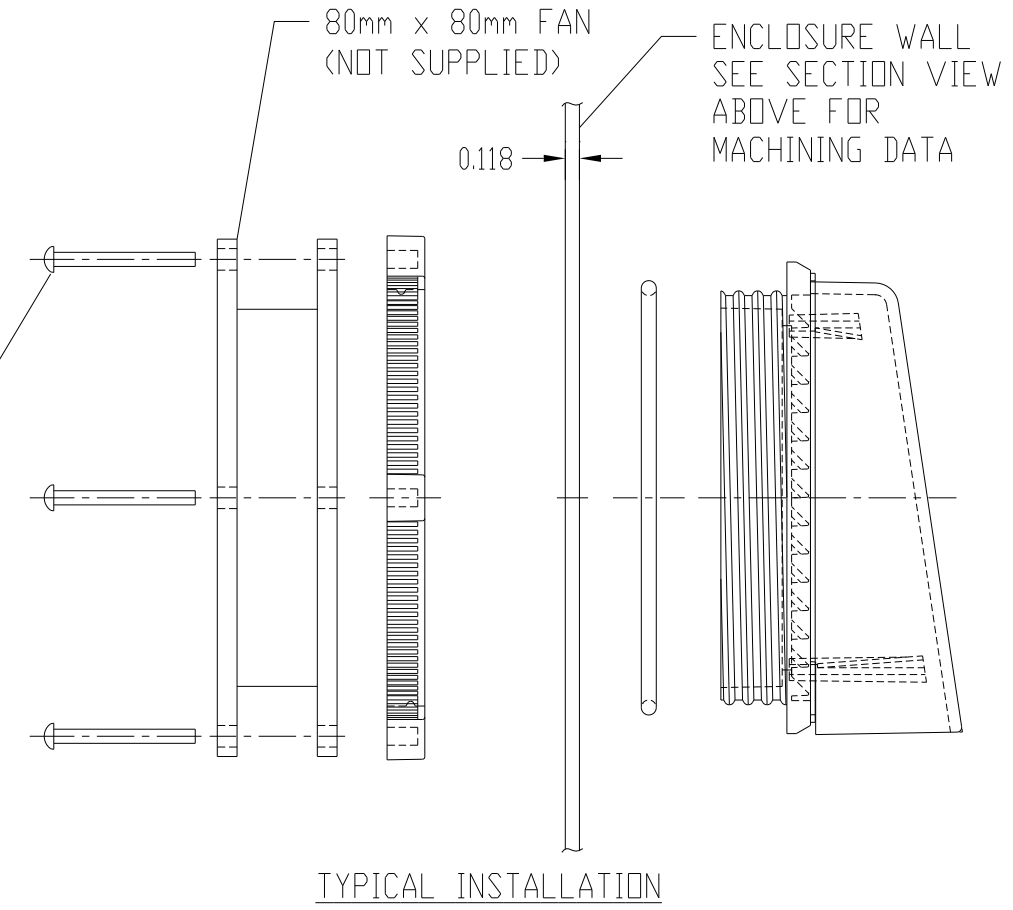
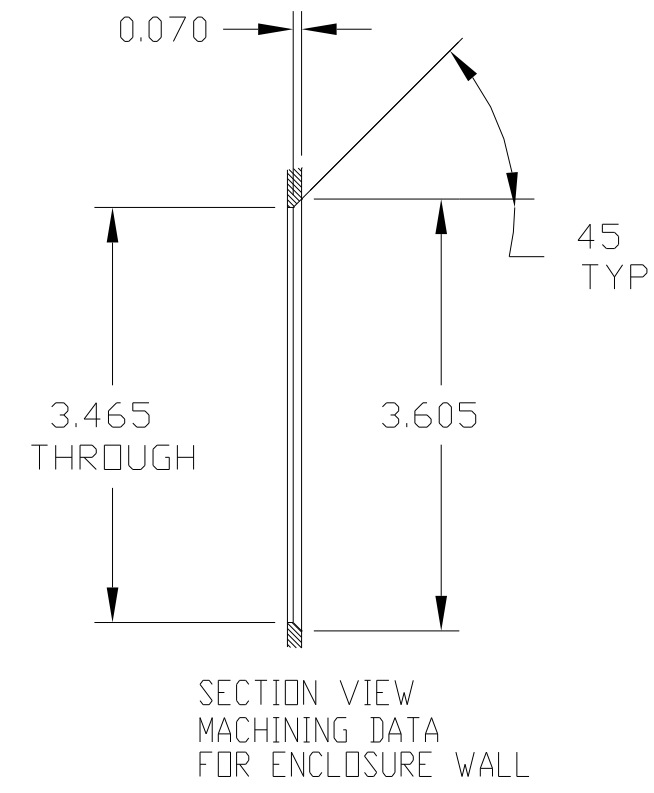
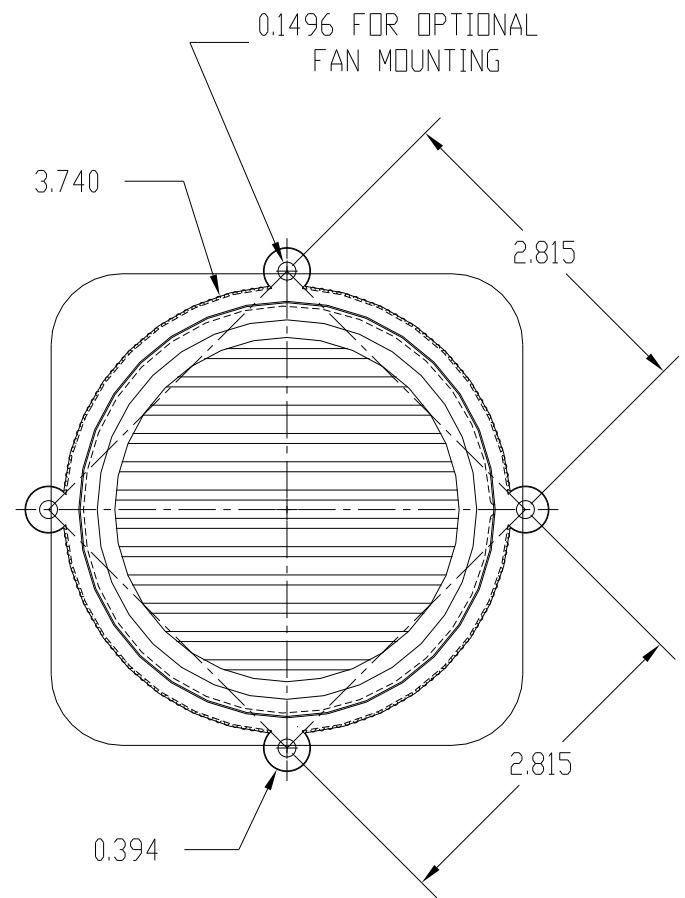
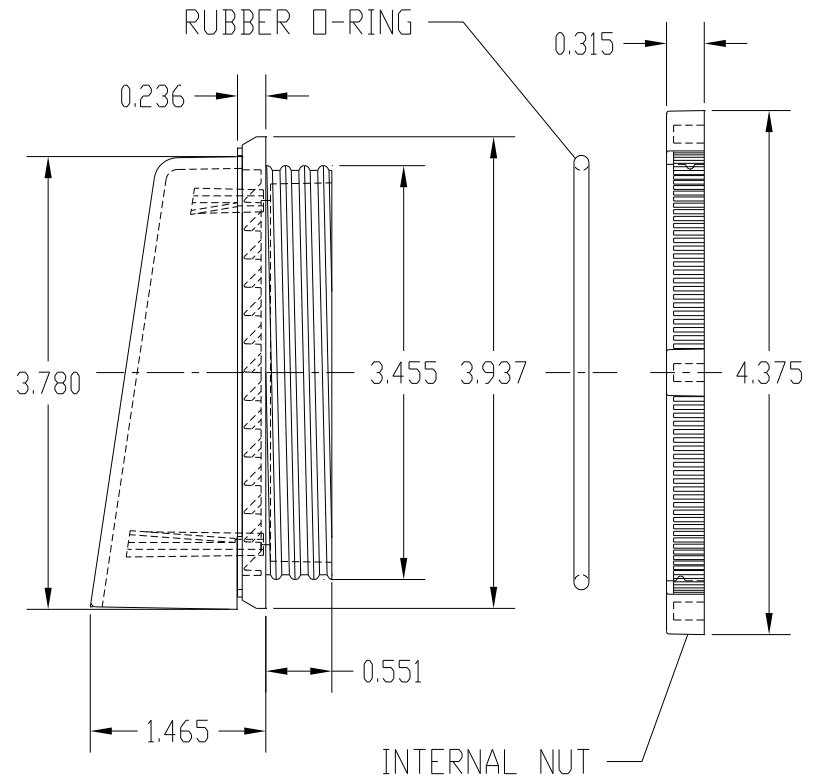
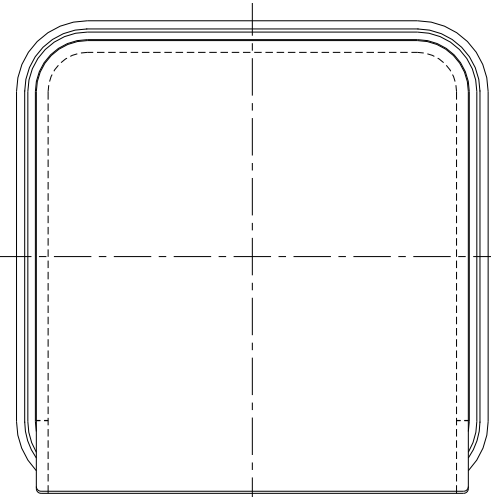
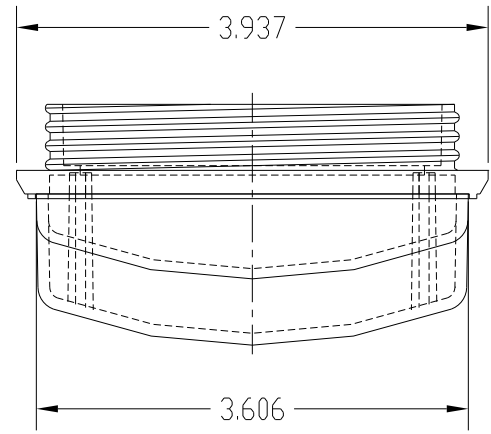
WIDE OPENING EXTERNAL VENT

PART No.

IPV-1116

REV. DATE

5-2-18



MATERIAL: POLYCARBONATE 10% FIBERGLASS REINFORCED  
 COLOR: LIGHT GRAY

ALL DIMENSIONS HAVE  $\pm 0.03[0.76]$  TOLERANCE UNLESS OTHERWISE SPECIFIED

DIMENSIONS ARE INCH

DRAWING FOR REFERENCE  
 WE RESERVE THE RIGHT TO MAKE CHANGES TO OUR STANDARD PRODUCT. PLEASE CONSULT WITH BUD INDUSTRIES PRIOR TO USING THIS DRAWING FOR DESIGN PURPOSES.