



Is Now Part of



ON Semiconductor®

To learn more about ON Semiconductor, please visit our website at
www.onsemi.com

Please note: As part of the Fairchild Semiconductor integration, some of the Fairchild orderable part numbers will need to change in order to meet ON Semiconductor's system requirements. Since the ON Semiconductor product management systems do not have the ability to manage part nomenclature that utilizes an underscore (_), the underscore (_) in the Fairchild part numbers will be changed to a dash (-). This document may contain device numbers with an underscore (_). Please check the ON Semiconductor website to verify the updated device numbers. The most current and up-to-date ordering information can be found at www.onsemi.com. Please email any questions regarding the system integration to Fairchild_questions@onsemi.com.

ON Semiconductor and the ON Semiconductor logo are trademarks of Semiconductor Components Industries, LLC dba ON Semiconductor or its subsidiaries in the United States and/or other countries. ON Semiconductor owns the rights to a number of patents, trademarks, copyrights, trade secrets, and other intellectual property. A listing of ON Semiconductor's product/patent coverage may be accessed at www.onsemi.com/site/pdf/Patent-Marking.pdf. ON Semiconductor reserves the right to make changes without further notice to any products herein. ON Semiconductor makes no warranty, representation or guarantee regarding the suitability of its products for any particular purpose, nor does ON Semiconductor assume any liability arising out of the application or use of any product or circuit, and specifically disclaims any and all liability, including without limitation special, consequential or incidental damages. Buyer is responsible for its products and applications using ON Semiconductor products, including compliance with all laws, regulations and safety requirements or standards, regardless of any support or applications information provided by ON Semiconductor. "Typical" parameters which may be provided in ON Semiconductor data sheets and/or specifications can and do vary in different applications and actual performance may vary over time. All operating parameters, including "Typicals" must be validated for each customer application by customer's technical experts. ON Semiconductor does not convey any license under its patent rights nor the rights of others. ON Semiconductor products are not designed, intended, or authorized for use as a critical component in life support systems or any FDA Class 3 medical devices or medical devices with a same or similar classification in a foreign jurisdiction or any devices intended for implantation in the human body. Should Buyer purchase or use ON Semiconductor products for any such unintended or unauthorized application, Buyer shall indemnify and hold ON Semiconductor and its officers, employees, subsidiaries, affiliates, and distributors harmless against all claims, costs, damages, and expenses, and reasonable attorney fees arising out of, directly or indirectly, any claim of personal injury or death associated with such unintended or unauthorized use, even if such claim alleges that ON Semiconductor was negligent regarding the design or manufacture of the part. ON Semiconductor is an Equal Opportunity/Affirmative Action Employer. This literature is subject to all applicable copyright laws and is not for resale in any manner.



FAN6224

Synchronous Rectification Controller for Flyback and Forward Freewheeling Rectification

Features

- mWSaver™ Technology:
 - Internal Green Mode to Stop SR Switching for Lower No-Load Power Consumption
 - 300 μ A Ultra-Low Green Mode Operating Current
- Synchronous Rectification Controller
- Suited for High-Side and Low-Side of Flyback Converters in QR, DCM, and CCM Operation
- Suited for Forward Freewheeling Rectification
- PWM Frequency Tracking with Secondary-Side Winding Voltage Detection
- 140 kHz Maximum Operation Frequency
- V_{DD} Pin Over-Voltage Protection (OVP)
- LPC Pin Open/Short Protection
- RES Pin Open/Short Protection
- RP Pin Open/Short Protection
- Internal Over-Temperature Protection (OTP)
- SOP-8 Package Available

Applications

- AC-DC NB Adapters
- Open-Frame SMPS

Description

FAN6224 is a secondary-side Synchronous Rectification (SR) controller to drive SR MOSFET for improved efficiency. The IC is suitable for flyback converters and forward freewheeling rectification.

FAN6224 can be applied in Continuous or Discontinuous Conduction Mode (CCM and DCM) and Quasi-Resonant (QR) flyback converters based on a proprietary linear-predict timing-control technique. The benefits of this technique include a simple control method without current-sense circuitry to accomplish noise immunity.

With PWM frequency tracking and secondary-side winding voltage detection, FAN6224 can operate in both fixed- and variable-frequency systems up to 140kHz.

FAN6224 detects output load condition and determines adjustable loading levels for Green Mode. In Green Mode, the SR controller stops all SR switching operation to reduce the operating current. Power consumption is maintained at a minimum level in light-load condition.

Ordering Information

Part Number	Operating Temperature Range	Package	Packing Method
FAN6224M	-40°C to +105°C	8-Lead, Small Outline Package (SOP-8)	Tape & Reel

Typical Application Diagrams

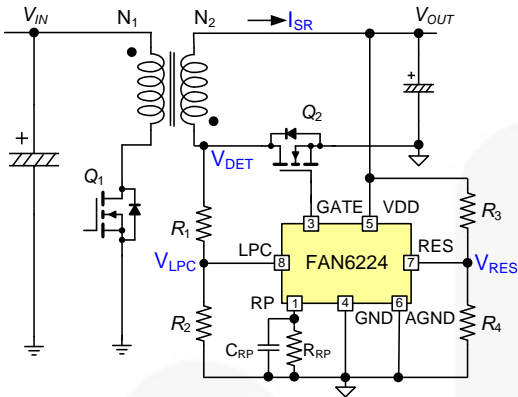


Figure 1. Flyback Low-Side SR

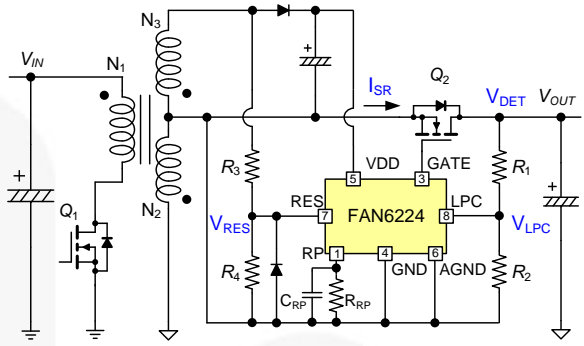


Figure 2. Flyback High-Side SR

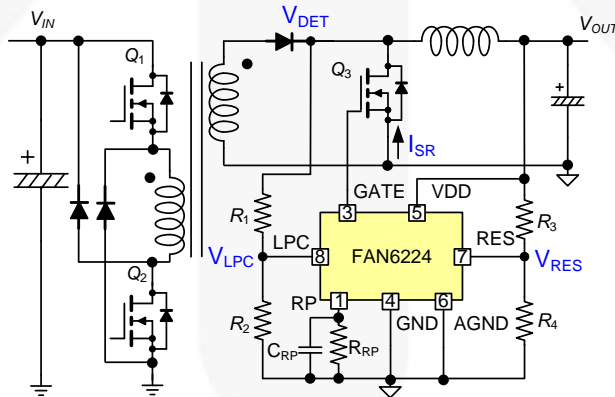


Figure 3. Forward Freewheeling Rectification

Internal Block Diagram

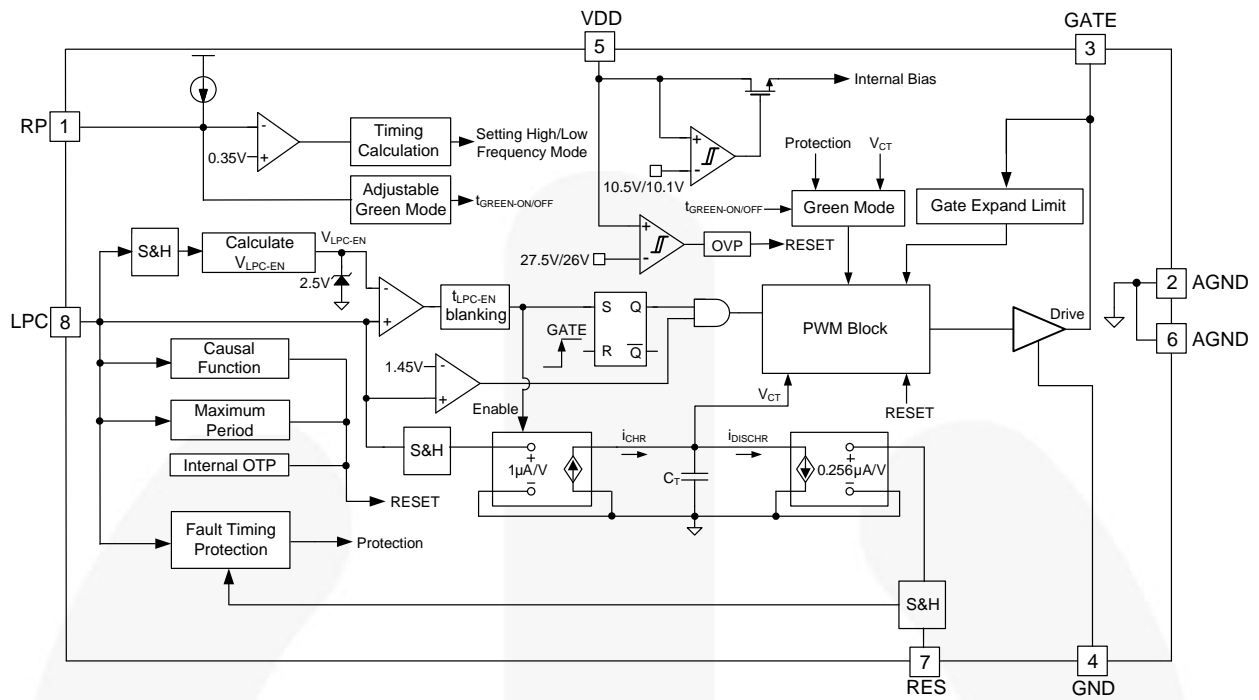
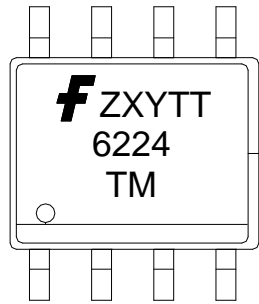


Figure 4. Block Diagram

Marking Information



f: Fairchild Logo
Z: Plant Code
X: Year Code
Y: Week Code
TT: Die Run Code
T: Package Type (M = SOP)
M: Manufacturing Flow Code

Figure 5. Top Mark

Pin Configuration

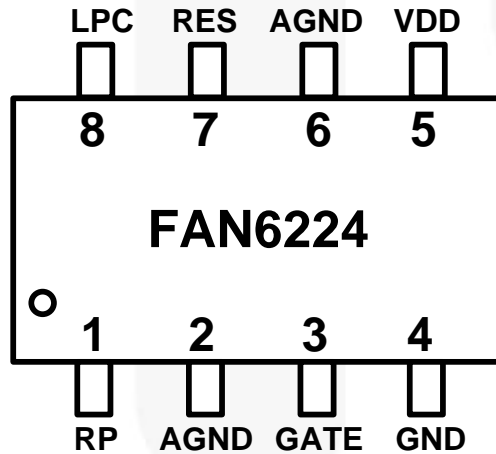


Figure 6. Pin Configuration

Pin Definitions

Pin #	Name	Description
1	RP	Programmable. A resistor paralleled with a capacitor is connected to RP pin and reference ground externally. The timing to enter / exit Green Mode is programmable by the resistor, while the range of operating frequency is programmable by the capacitor.
2, 6	AGND	Signal Ground.
3	GATE	Driver Output. The totem-pole output driver for driving the power MOSFET.
4	GND	Ground. MOSFET source connection.
5	VDD	Power Supply. The threshold voltages for startup and turn-off are 10.5 V and 10.1 V, respectively.
7	RES	Reset Control of Linear Predict. RES pin is used to detect output voltage level through a voltage divider. An internal current source, I_{DISCHR} , is modulated by this voltage level on the RES pin.
8	LPC	Winding Detection. This pin is used to detect the voltage on the winding during the on-time period of the primary GATE.

Absolute Maximum Ratings

Stresses exceeding the absolute maximum ratings may damage the device. The device may not function or be operable above the recommended operating conditions and stressing the parts to these levels is not recommended. In addition, extended exposure to stresses above the recommended operating conditions may affect device reliability. The absolute maximum ratings are stress ratings only.

Symbol	Parameter		Min.	Max.	Unit
V _{DD}	DC Supply Voltage			30	V
V _{LPC}	Voltage on LPC Pin (T _A =25°C)		-0.3	7.0	V
V _{RES}	Voltage on RES Pin (Continuously in -0.5 V) (T _A =25°C)		-1.5	7.0	V
V _{RP}	Voltage on RP Pin (T _A =25°C)		-0.3	7.0	V
P _D	Power Dissipation (T _A =25°C)			0.8	W
Θ _{JA}	Thermal Resistance (Junction-to-Air)			151	°C/W
Θ _{JC}	Thermal Resistance (Junction-to-Case)			58	°C/W
T _{STG}	Storage Temperature Range		-55	150	°C
T _L	Lead Temperature (Soldering) 10s			260	°C
ESD	Electrostatic Discharge Capability	Human Body Model, JESD22-A114		5500	V
		Charged Device Model, JESD22-C101		2000	

Notes:

1. Stresses beyond those listed under Absolute Maximum Ratings may cause permanent damage to the device.
2. All voltage values, except differential voltages, are given with respect to GND pin.

Recommended Operating Conditions

The Recommended Operating Conditions table defines the conditions for actual device operation. Recommended operating conditions are specified to ensure optimal performance to the datasheet specifications. Fairchild does not recommend exceeding them or designing to Absolute Maximum Ratings.

Symbol	Parameter	Condition	Min.	Max.	Unit
V _{LPC}	Voltage on LPC Pin	Continuous Operation		4.8	V
V _{RES}	Voltage on RES Pin			4.8	V
V _{RP}	Voltage on RP Pin		0.5	2.5	V

Electrical Characteristics

$V_{DD}=15\text{ V}$ and $T_A=25^\circ\text{C}$, unless otherwise noted.

Symbol	Parameter	Condition	Min.	Typ.	Max.	Unit
V_{OP}	Continuously Operating Voltage		V_{DD-OFF}		V_{DD-OVP}	V
V_{DD-ON}	Turn-On Threshold Voltage		9.5	10.5	11.5	V
V_{DD-OFF}	Turn-Off Threshold Voltage		9.1	10.1	11.1	V
$V_{DD-HYST}$	Hysteresis Voltage for Turn-On / Turn-Off Threshold		0.1		0.7	V
I_{DD-OP}	Operating Current	$V_{DD}=15\text{ V}$, $LPC=65\text{ kHz}$, $C_L=6000\text{ pF}$		7	8	mA
$I_{DD-GREEN}$	Operating Current in Green Mode	$V_{DD}=15\text{ V}$		300	400	μA
V_{DD-OVP}	V_{DD} Over-Voltage Protection		26.0	27.5	29.0	V
$V_{DD-OVP-HYST}$	Hysteresis Voltage for V_{DD} OVP		1.1	1.5	1.9	V
$t_{VDD-OVP}$	V_{DD} OVP Debounce Time ⁽³⁾			100		μs
Output Driver for internal SR Mosfet Section						
V_Z	Output Voltage Maximum (Clamp)		10	12	14	V
V_{OL}	Output Voltage LOW	$V_{DD}=12\text{ V}$, $I_O=50\text{ mA}$			0.5	V
V_{OH}	Output Voltage HIGH	$V_{DD}=12\text{ V}$, $I_O=50\text{ mA}$	9			V
t_R	Rising Time	$V_{DD}=12\text{ V}$, $C_L=6\text{ nF}$, GATE=2 V~9 V	30	70	120	ns
t_F	Falling Time	$V_{DD}=12\text{ V}$, $C_L=6\text{ nF}$, GATE=9 V~2 V	20	50	100	ns
$t_{PD_HIGH_LPC}$	Propagation Delay to GATE HIGH (LPC Trigger)	$t_R:0\%\sim 10\%$, $V_{DD}=12\text{ V}$		150	250	ns
$t_{PD_LOW_LPC}$	Propagation Delay to GATE LOW (LPC Trigger) ⁽³⁾	$t_F:100\%\sim 90\%$, $V_{DD}=12\text{ V}$		150		ns
$t_{MAX-PERIOD}$	Limitation between LPC Rising Edge to Gate Falling Edge	$f_s=65\text{ kHz}$	24.0	29.5	35.0	μs
		$f_s=140\text{ kHz}$	12.5	15.5	18.5	
LPC Section						
t_{BNK}	Blanking Time for Charging C_T ⁽³⁾			150		ns
$t_{LPC-SMP}$	LPC Sampling Timing of Previous Cycle	$f_s=65\text{ kHz}$, $R_{RP}=75\text{ k}\Omega\sim 200\text{ k}\Omega$, $C_{RP}=100\text{ nF}$	0.9	1.1	1.3	μs
		$f_s=140\text{ kHz}$, $R_{RP}=75\text{ k}\Omega\sim 200\text{ k}\Omega$, $C_{RP}=1\text{ nF}$	0.5	0.6	0.7	μs
$V_{LPC-SOURCE}$	Lower Clamp Voltage	Source $I_{LPC}=10\text{ }\mu\text{A}$	0	0.1	0.2	V
$V_{LPC-HIGH-EN}$	Threshold Voltage for LPC to Enable SR	$V_{LPC-HIGH}>V_{LPC-HIGH-EN}$, SR Enable	1.38	1.45	1.54	V
$V_{EN-CLAMP}$	SR Enable Threshold Clamp Voltage ⁽³⁾	$V_{LPC-EN}=2.5\text{ V}$ at $V_{LPC-HIGH}>3\text{ V}$		2.5		V
$V_{LPC-TH-HIGH}$	Threshold Voltage on LPC Rising Edge ⁽³⁾			1.22		V
$V_{LPC-CLAMP-H}$	V_{LPC} High Clamping Voltage	$V_{LPC}>V_{LPC-CLAMP-H}$	5.7	6.2	6.7	V
$V_{LPC-DIS}$	Threshold Voltage of V_{LPC} to Disable SR Gate Switching	$V_{LPC}>V_{LPC-DIS}$	4.8		5.5	V
$t_{LPC-EN-RES}$	No LPC Signal, Reset V_{LPC-EN} ⁽³⁾			95		μs

Continued on the following page...

Electrical Characteristics (Continued)

V_{DD}=15 V and T_A=25°C, unless otherwise noted.

Symbol	Parameter	Condition	Min.	Typ.	Max.	Unit
RES Section						
t _{RES-SMP}	V _{RES} Sampling Time ⁽³⁾	t _{SR_gate} =5 μs		2.5		μs
V _{RES-EN}	Threshold Voltage of V _{RES} to Enable SR Gate Switching	V _{RES} >V _{RES-EN}	1.3	1.6	2.0	V
V _{RES-CLAMP-H}	V _{RES} High Clamping Voltage	V _{RES} >V _{RES-CLAMP-H}	5.7	6.2	6.7	V
K _{RES-DROP}	V _{RES} Drop Protection Ratio ⁽³⁾	V _{RES} [n+1]<V _{RES} [n] x K _{RES-DROP}		85		%
V _{RES-SOURCE}	V _{RES} Low Clamping Voltage	I _{RES} =10 μA, V _{DD} =15 V	0	0.2	0.4	V
Linear Prediction Section						
Ratio _{LPC}	Transfer Ratio of V _{LPC} to I _{LPC} ⁽³⁾			1		μA/V
Ratio _{RES}	Transfer Ratio of V _{RES} to I _{RES} ⁽³⁾			0.256		μA/V
Ratio _{LPC-RES}	Ratio _{LPC} /Ratio _{RES}	V _{RES} =3 V, V _{LPC} =3 V C _{RP} =100 nF	3.65	3.90	4.15	
t _{LPC-EN}	Debounce Time for V _{LPC} >V _{LPC-EN} =0.875 x V _{LPC-HIGH}	f _s =65 kHz, R _{RP} =75 kΩ~200 kΩ, C _{RP} =100 nF	0.9	1.1	1.3	μs
		f _s =140 kHz, R _{RP} =75 kΩ~200 kΩ, C _{RP} =1 nF	0.5	0.6	0.7	
Ratio _{SR-LMT}	Maximum Ratio of SR Gate On Time ⁽³⁾	Ratio _{SR-LMT} < t _{ON-SR} [n+1]/ t _{ON-SR} [n]		120		%
t _{LPC-EXP-LMT}	LPC Pulse Width Expansion Limit	t _{LPC-EXP-LMT} < t _{LPC} [n+1]- t _{LPC} [n]	0.5	0.7	0.9	μs
t _{LPC-SRK-LMT}	LPC Pulse Width Shrink Limit	t _{LPC-SRK-LMT} < t _{LPC} [n]- t _{LPC} [n+1]	0.6	0.8	1.0	μs
Green Mode Section						
t _{GREEN-OFF}	SR Gate On Time to Exit Green Mode	R _{RP} =200 kΩ, C _{RP} =100 nF	5.5	5.9	6.3	μs
		R _{RP} =75 kΩ, C _{RP} =1 nF	3.0	3.3	3.6	
t _{GREEN-ON}	SR Gate On time to Enter Green Mode	R _{RP} =200 kΩ, C _{RP} =100 nF	4.0	4.4	4.8	μs
		R _{RP} =75 kΩ, C _{RP} =1 nF	1.6	1.9	2.2	
t _{GREEN-HYST(65kHz)}	Hysteresis Voltage for t _{GREEN-ON} /t _{GREEN-Off} Threshold ⁽³⁾	R _{RP} =200 kΩ, C _{RP} =100 nF		1.5		μs
t _{GREEN-HYST(140kHz)}	Hysteresis Voltage for t _{GREEN-ON} /t _{GREEN-Off} Threshold ⁽³⁾	R _{RP} =75 kΩ, C _{RP} =1 nF		1.4		μs
n _{GREEN-OFF}	Number of Switching Cycles to Exit Green Mode ⁽³⁾	SR Gate On Time > t _{GREEN-OFF}		15		times
n _{GREEN-ON}	Number of Switching Cycles to Enter Green Mode ⁽³⁾	SR Gate On Time < t _{GREEN-ON}		3		times
V _{RP-OPEN}	Threshold Voltage for RP Pin Pull High Protection		3.0	3.5	4.0	V
V _{RP-SHORT}	Threshold Voltage for RP Pin Pull Low Protection		0.30	0.35	0.40	V
t _{GREEN-ENTER}	No Gate Signal to Enter Green Mode ⁽³⁾			75		μs

Continued on the following page...

Electrical Characteristics

$V_{DD}=15\text{ V}$ and $T_A=25^\circ\text{C}$, unless otherwise noted.

Symbol	Parameter	Condition	Min.	Typ.	Max.	Unit
Operation Frequency Setting Section						
V_{CRP-TH}	Threshold Voltage for High / Low Frequency Determination ⁽³⁾	Set $V_{RP} > V_{CRP-th}$ for Higher Operating Frequency		0.35		V
t_{CRP-TH}	Debounce Time for High / Low Frequency Determination ⁽³⁾			170		μs
$I_{RP-SOURCE}$	RP Pin Source Current		8.5	9.5	10.5	μA
Casual Function Section						
$t_{DEAD-CAUSAL}$	SR Turn-Off Dead Time by Causal Function	$f_S=65\text{ kHz}$, ($R_{RP}=75\text{ k}\Omega\sim 200\text{ k}\Omega$, $C_{RP}=100\text{ nF}$)	480	680	880	ns
		$f_S=140\text{ kHz}$, ($R_{RP}=75\text{ k}\Omega\sim 200\text{ k}\Omega$, $C_{RP}=1\text{ nF}$)	350	500	650	ns
$t_{CAUSAL-FAULT}$	If $t_{S-PWM}(n+1) > t_{CAUSAL} \times t_{S-PWM}(n)$, SR Stops Switching & Enters Green Mode	$f_S=65\text{ kHz}$ to 140 kHz	130	150	170	%
t_{CAUSAL_LEAVE}	(Assume SR Triggers Fault Causal Protection) If LPC Rises Twice during t_{CAUSAL_LEAVE} and Previous On-Time of $V_{LPC-HIGH}$ is Longer than t_{LPC-EN} , then SR Leaves Fault Causal Protection ⁽³⁾			5.3		μs
$t_{DEAD-CFR}$	Once CFR is Triggered, SR Terminates & Forces SR to Enter Green Mode (The Last Time from SR Gate Falling to LPC Rising) ⁽³⁾	Causal Function Regulator (CFR)		70		ns
Internal Over-Temperature Protection for OTP						
T_{OTP}	Internal Threshold Temperature for OTP ⁽³⁾			140		$^\circ\text{C}$
$T_{OTP-HYST}$	Hysteresis Temperature for Internal OTP ⁽³⁾			20		$^\circ\text{C}$

Note:

3. Guaranteed by Design

Typical Performance Characteristics

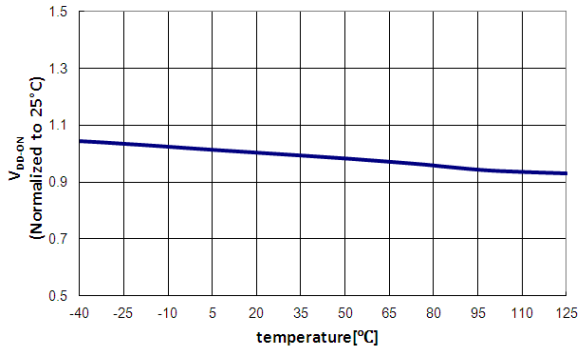


Figure 7. V_{DD-ON} vs. Temperature

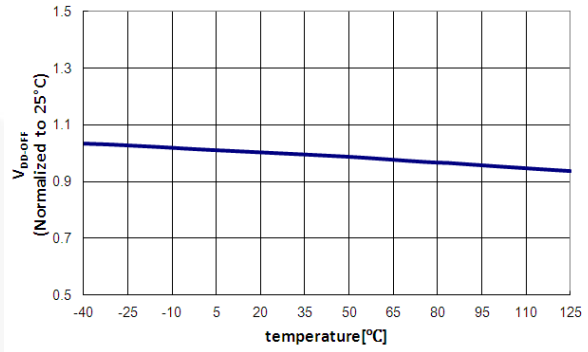


Figure 8. V_{DD-OFF} vs. Temperature

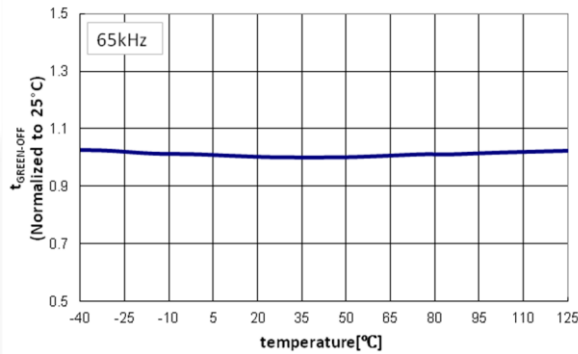


Figure 9. t_{GREEN-OFF} vs. Temperature

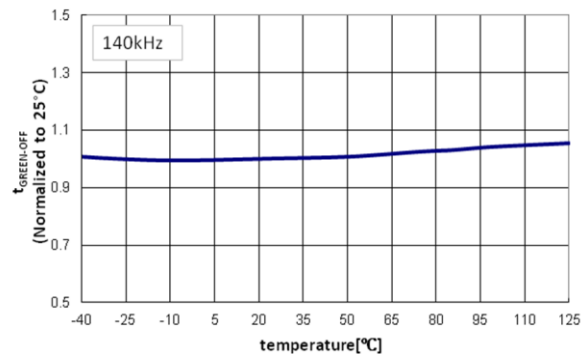


Figure 10. t_{GREEN-OFF} vs. Temperature

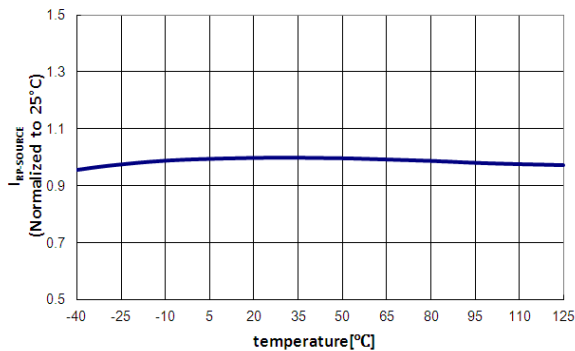


Figure 11. I_{IP-SOURCE} vs. Temperature

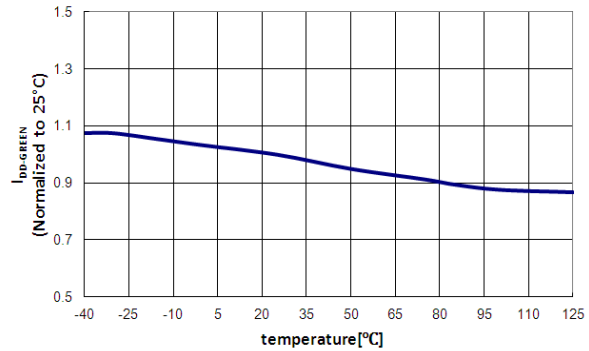


Figure 12. I_{DD-GREEN} vs. Temperature

Typical Performance Characteristics (Continued)

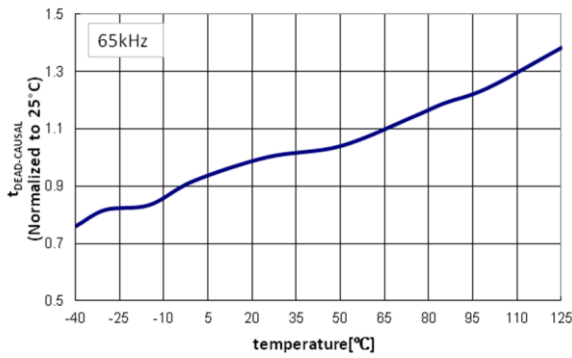


Figure 13. $t_{\text{DEAD-CAUSAL}}$ vs. Temperature

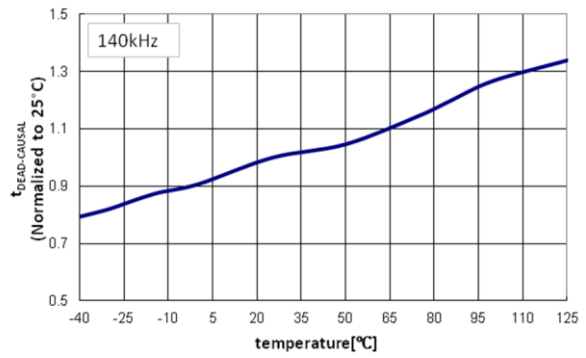


Figure 14. $t_{\text{DEAD-CAUSAL}}$ vs. Temperature

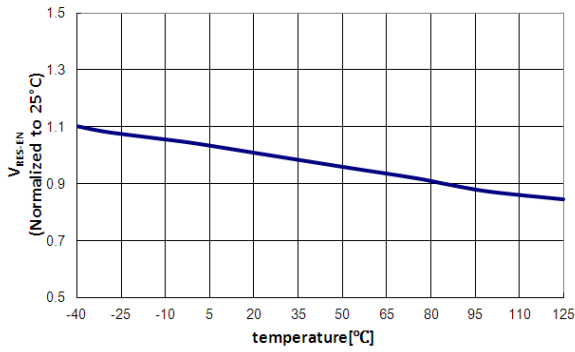


Figure 15. $V_{\text{RES-EN}}$ vs. Temperature

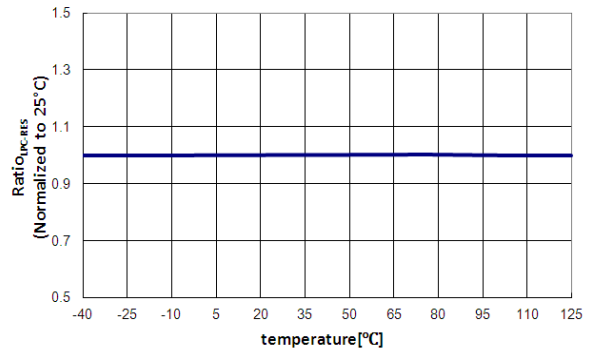


Figure 16. Ratio_{LPC-RES} vs. Temperature

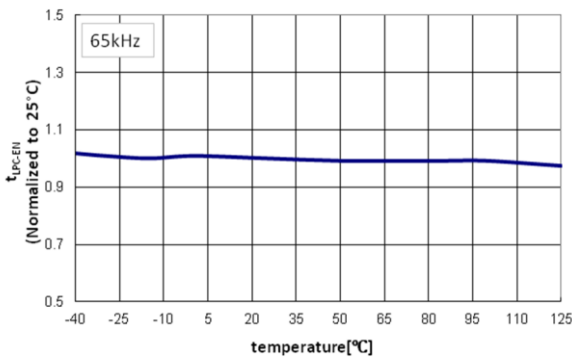


Figure 17. $t_{\text{LPC-EN}}$ vs. Temperature

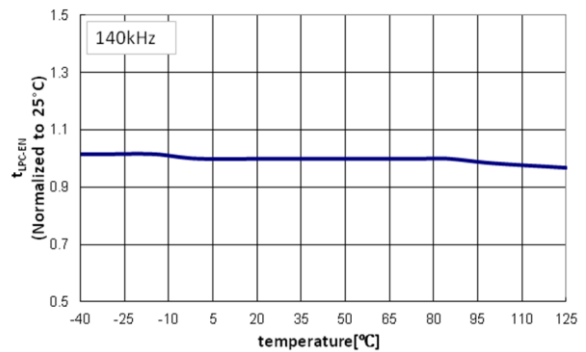


Figure 18. $t_{\text{LPC-EN}}$ vs. Temperature

Typical Performance Characteristics (Continued)

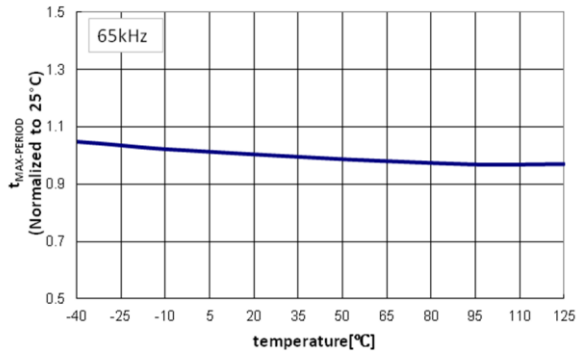


Figure 19. $t_{MAX-PERIOD}$ vs. Temperature

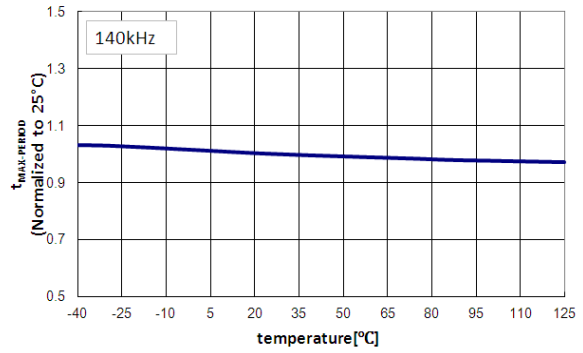


Figure 20. $t_{MAX-PERIOD}$ vs. Temperature

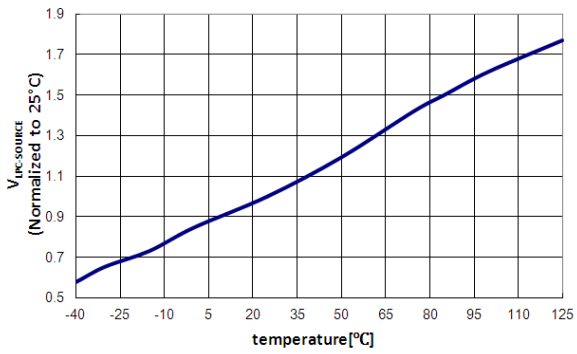


Figure 21. $V_{LPC-SOURCE}$ vs. Temperature

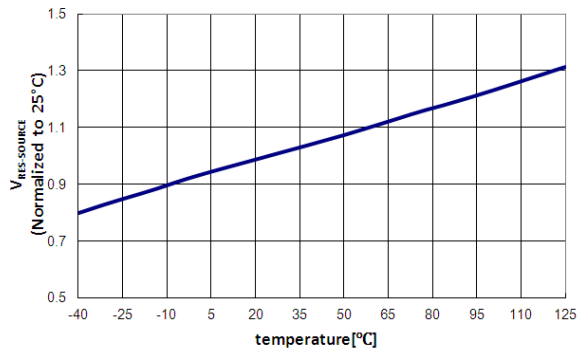


Figure 22. $V_{RES-SOURCE}$ vs. Temperature

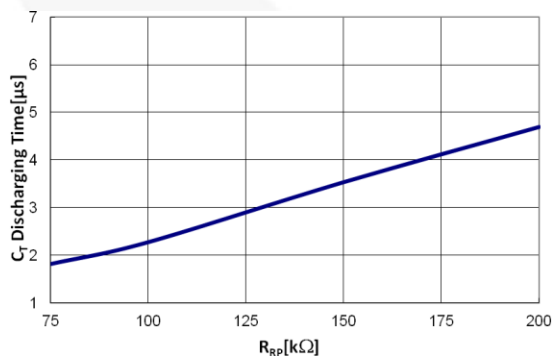


Figure 23. $t_{GREEN-ON}$ vs. R_{RP}

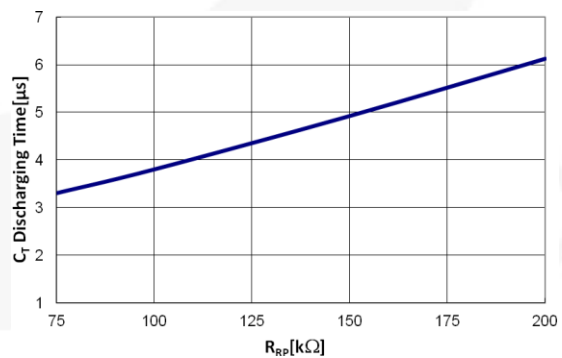


Figure 24. $t_{GREEN-OFF}$ vs. R_{RP}

Functional Description

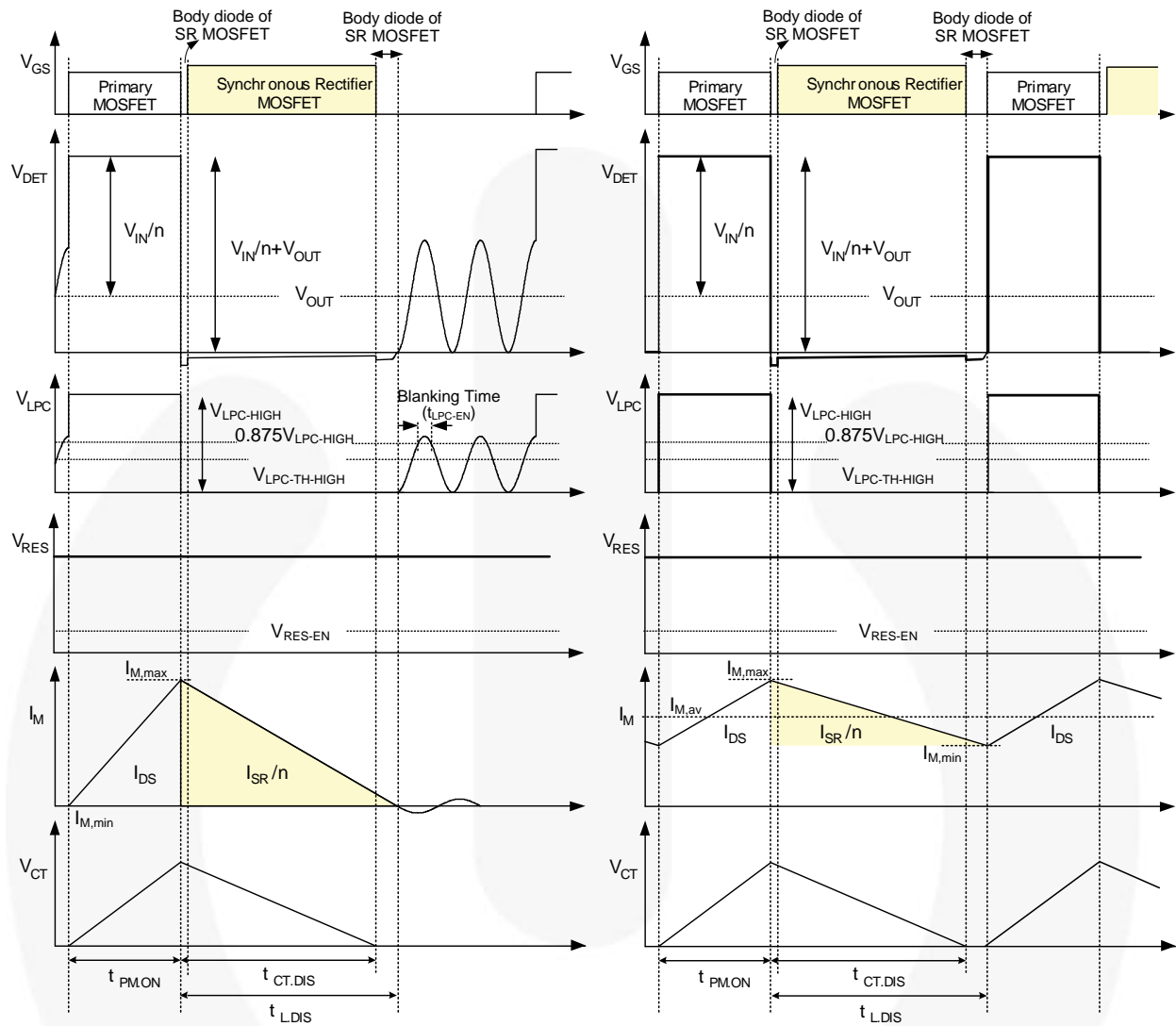


Figure 25. Waveforms of Linear-Predict Timing Control in CCM and DCM / QR Flyback for Low-Side Application

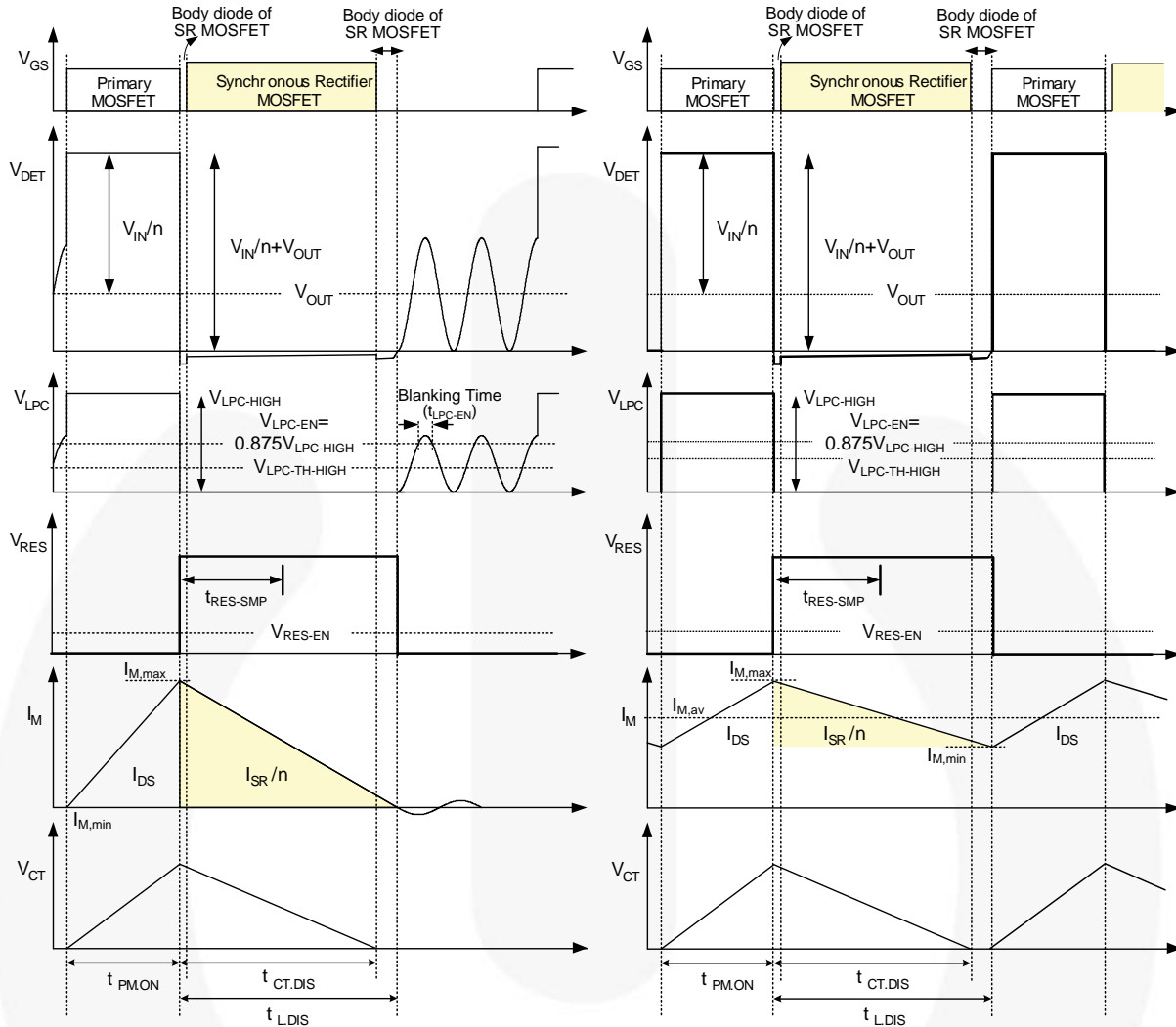


Figure 26. Waveforms of Linear-Predict Timing Control in CCM and DCM / QR Flyback for High-Side Application

Linear Predict Timing Control

The SR MOSFET turn-off timing is determined by linear-predict timing control and the operation principle is based on the volt-second balance theorem, which states: the inductor average voltage is zero during a switching period in steady state, so the charge voltage and charge time product is equal to the discharge voltage and discharge time product. In flyback converters, the charge voltage on the magnetizing inductor is input voltage (V_{IN}), while the discharge voltage is reflected output voltage (nV_{OUT}), as the typical waveforms show in Figure 25. The following equation can be drawn:

$$V_{IN} \cdot t_{PM,ON} = n \cdot V_{OUT} \cdot t_{L,DIS} \quad (1)$$

where $t_{PM,ON}$ is inductor charge time; $t_{L,DIS}$ is inductor discharge time; and n is turn ratio of primary windings (N_1) to secondary windings (N_2).

FAN6224 uses the LPC and RES pins with two sets of voltage dividers to sense DET voltage (V_{DET}) and output voltage (V_{OUT}), respectively; so V_{IN}/n , $t_{PM,ON}$, and V_{OUT} can be obtained. As a result, $t_{L,DIS}$, which is the on-time of SR MOSFET, can be predicted by Equation 1. As shown in Figure 25, the SR MOSFET is turned on when the SR MOSFET body diode starts conducting and DET voltage drops to zero. The SR MOSFET is turned off by linear-predict timing control.

Circuit Realization

The linear-predict timing-control circuit generates a replica (V_{CT}) of the magnetizing current of the flyback transformer using an internal timing capacitor (C_T), as shown in Figure 27. Using the internal capacitor voltage, the inductor discharge time ($t_{L,DIS}$) can be detected indirectly, as shown in Figure 25. When C_T is discharged to zero, the SR controller turns off the SR MOSFET.

CCM Operation

The typical waveforms of CCM operation in steady state are shown as right side of Figure 25 and Figure 26. When the primary-side MOSFET is turned on, the energy is stored in L_m . During the on-time of the primary-side MOSFET ($t_{PM,ON}$), the magnetizing current (I_M) increases linearly from $I_{M,min}$ to $I_{M,max}$. Meanwhile, internal timing capacitor (C_T) is charged by current source ($i_{CHR-IDCHR}$) proportional to V_{IN} , so V_{CT} also increases linearly.

When the primary-side MOSFET is turned off, the energy stored in L_m is released to the output. During the inductor discharge time ($t_{L,DIS}$), the magnetizing current (I_M) decreases linearly from $I_{M,max}$ to $I_{M,min}$. At the same time, the internal timing capacitor (C_T) is discharged by current source (i_{DISCHR}) proportional to V_{OUT} , so V_{CT} also decreases linearly. To guarantee the proper operation of SR, it is important to turn off the SR MOSFET just before SR current reaches $I_{M,min}$ so that the body diode of the SR MOSFET is naturally turned off.

DCM / QR Operation

In DCM / QR operation, when primary-side MOSFET is turned off, the energy stored in L_m is fully released to the output at the turn-off timing of primary-side MOSFET. Therefore, the DET voltage continues resonating until the primary-side MOSFET is turned on, as depicted in Figure 25. While DET voltage is resonating, DET voltage and LPC voltage drop to zero by resonance, which can trigger the turn-on of the SR MOSFET. To prevent fault triggering of the SR MOSFET in DCM operation, a blanking time is introduced to LPC voltage. The SR MOSFET is not turned on even when LPC voltage drops below $V_{LPC-TH-HIGH}$ unless LPC voltage stays above $0.875 V_{LPC-HIGH}$ longer than the blanking time (t_{LPC-EN}). The turn-on timing of the SR MOSFET is inhibited by gate inhibit time ($t_{INHIBIT}$), once the SR MOSFET turns off, to prevent fault triggering.

mWSaver™ Technology

Green-Mode Operation

To minimize the power consumption at light-load condition, the SR circuit is disabled when the load decreases. As illustrated in Figure 28, the discharge times of the inductor and internal timing capacitor decrease as load decreases. If the discharge time of the internal timing capacitor ($t_{CT,DIS}$) is shorter than $t_{GREEN-ON}$ for more than three cycles, then the SR circuit enters Green Mode. Once FAN6224 enters Green Mode, the SR MOSFET stops switching and the major internal block is shut down to further reduce the operating current of the SR controller. In Green Mode, the operating current reduces to 300 μA . This allows power supplies to meet stringent power conservation requirements. When the discharge time of the internal capacitor is longer than $t_{GREEN-OFF}$ for more than fifteen cycles, the SR circuit is enabled and resumes the normal operation, as shown in Figure 29.

To enhance flexibility of design, $t_{GREEN-ON}$ and $t_{GREEN-OFF}$ are adjustable by the external resistor of the RP pin within a certain range. As shown in Figure 30, larger

R_{RP} resistance corresponds to longer $t_{GREEN-ON}$ and $t_{GREEN-OFF}$, and vice versa. Therefore, by setting different resistance of R_{RP} , the loading of entering and exiting Green Mode is adjustable.

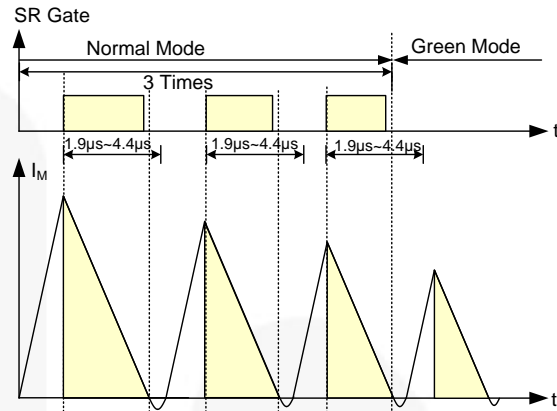


Figure 28. Entering Green Mode

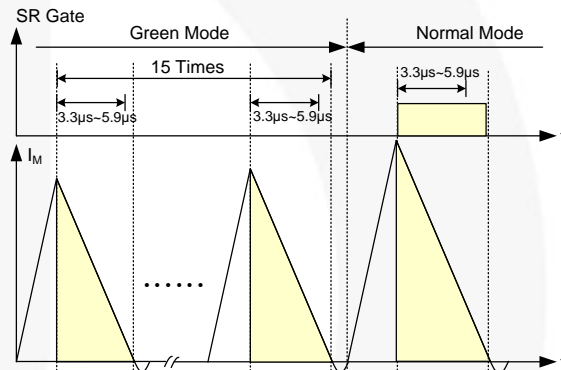


Figure 29. Resuming Normal Operation

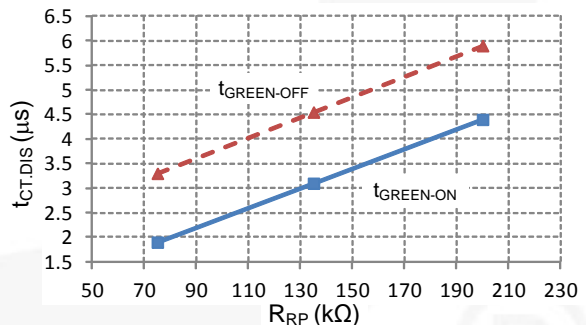


Figure 30. Adjustable $t_{GREEN-ON}$ and $t_{GREEN-OFF}$

Selection of Operating Frequency

For different operating frequency range, internal parameters of the SR controller should be different to optimize signal processing. The capacitor of the RP pin (C_{RP}) is used to determine the operating frequency range of the SR controller. For low switching frequency systems (<100 kHz), C_{RP} is recommended as 10 nF; for high switching frequency systems (100k~140 kHz), C_{RP} is recommended as 1nF.

Causal Function

Causal function is utilized to limit the time interval (t_{SR-MAX}) from the rising edge of V_{LPC} to the falling edge of the SR Gate. As shown in Figure 31, t_{SR-MAX} is limited to previous switching period (t_{S-PWM}) minus a dead time, say $t_{DEAD-CAUSAL}$. When the system operates at fixed frequency, whether voltage-second balance theorem can be applied or not, causal function can guarantee reliable operation.

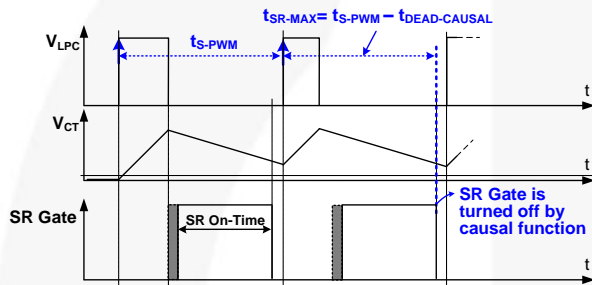


Figure 31. Causal Function Operation

Fault Causal Timing Protection

Fault causal timing protection is utilized to disable the SR Gate under some abnormal conditions. Once the switching period ($t_{S-PWM}[n]$) is longer than 150% of previous switching period ($t_{S-PWM}[n-1]$), the SR Gate is disabled and enters Green Mode, as shown in Figure 32. Since the rising edge of V_{LPC} among switching periods (t_{S-PWM}) is tracked for causal function, the accuracy of switching period is important. Therefore, if the detected switching period has a serious variation, the SR Gate is terminated to prevent fault trigger.

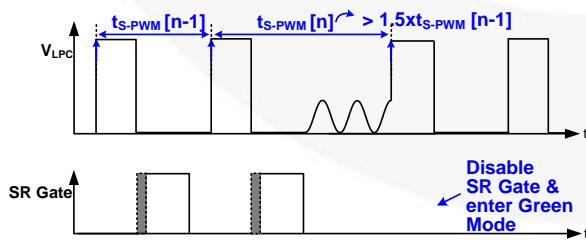


Figure 32. Fault Causal Timing Protection

Gate Expansion Limit Protection

Gate expansion limit protection controls the on-time expansion of the SR MOSFET. Once the discharge

time of the internal timing capacitor (t_{DIS-CT}) is longer than 120% of the previous on-time of the SR MOSFET ($t_{ON-SR}[n-1]$); $t_{ON-SR}[n]$ is limited to 120% of $t_{ON-SR}[n-1]$, as shown in Figure 33. When output load changes rapidly from light load to heavy load, voltage-second balance theorem may not be applied. In this transient state, gate expand limit protection is activated to prevent overlap between the SR Gate and the PWM gate.

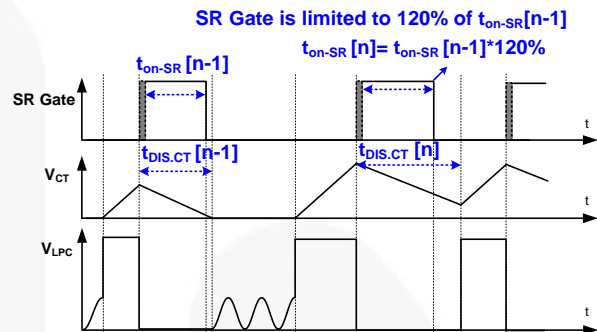


Figure 33. Gate Expand Limit Protection

RES Dropping Protection

RES dropping protection prevents V_{RES} dropping too much within a cycle. The V_{RES} is sampled as a reference voltage, V_{RES}' , on V_{LPC} rising edge. Once V_{RES} drops below 85% of V_{RES}' , the SR Gate is turned off immediately, as shown in Figure 34. When output voltage drops rapidly within a switching cycle, voltage-second balance may not be applied; RES dropping protection is activated to prevent overlap.

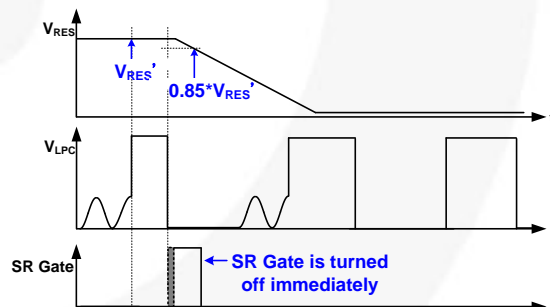


Figure 34. V_{RES} Dropping Protection

LPC Width Expansion / Shrink Protection

LPC width expansion and shrink protection is utilized to disable the SR MOSFET switching under some abnormal conditions. As Figure 35 shows, once the LPC pulse width ($t_{LPC}[n]$) is longer than that of previous cycle ($t_{LPC}[n-1]$) for $t_{LPC-EXP-LMT}$, the LPC width expansion protection is triggered and SR MOSFET switching is terminated immediately. Figure 36 shows the timing diagram of LPC width shrink protection. Once $t_{LPC}[n]$ is shorter than $t_{LPC}[n-1]$, the SR MOSFET switching also shuts down immediately.

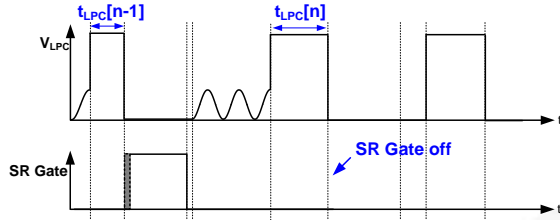


Figure 35. V_{LPC} Width Expand Protection

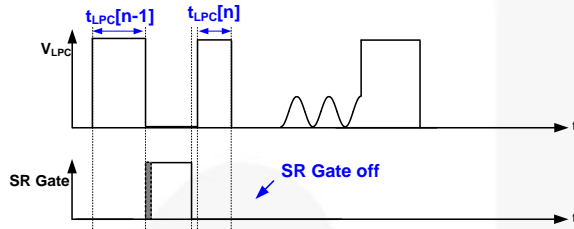


Figure 36. V_{LPC} Width Shrink Protection

Over-Time Protection

Generally, the minimum operating frequency of PWM controller in normal status is above 65 kHz (65~140 kHz). In FAN6224, there are two over-time protections that force the SR controller to go into green mode. As shown in upper part of Figure 37, the first one is when the time between LPC pulses (from LPC falling edge to rising edge) is longer than 95 μ s. This is typically triggered when the primary side controller operates in burst mode operation. To minimize the power consumption, FAN6224 enters into green mode in this condition. This green mode is also triggered when the LCP voltage divider is malfunctioning.

Another condition is when the time duration from SR turn-off to SR turn-on is longer than 75 μ s as shown in lower part of Figure 37. This happens when the PWM controller in the primary side goes into burst mode operation at light load condition.

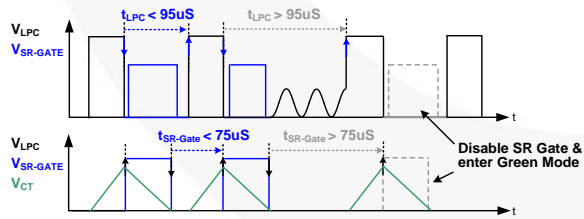


Figure 37. Over-Time Protection

LPC Pin Open / Short Protection

LPC-Open Protection: If V_{LPC} is higher than $V_{LPC-DIS}$ for longer than debounce time $t_{LPC-HIGH}$, FAN6224 stops switching immediately and enters Green Mode. V_{LPC} is clamped at 6.2 V to avoid LPC pin damage.

LPC-Short Protection: If V_{LPC} is pulled to ground and the charging current of timing capacitor (C_T) is near zero, SR Gate is not output.

RES Pin Open / Short Protection

RES-Open Protection: If V_{RES} is pulled to HIGH level, the gate signal is extremely small and FAN6224 enters Green Mode. In addition, V_{RES} is clamped at 6.2 V to avoid RES pin damage.

RES-Short Protection: If V_{RES} is lower than V_{RES-EN} (1.6 V), FAN6224 stops switching immediately and enters Green Mode.

Under-Voltage Lockout (UVLO)

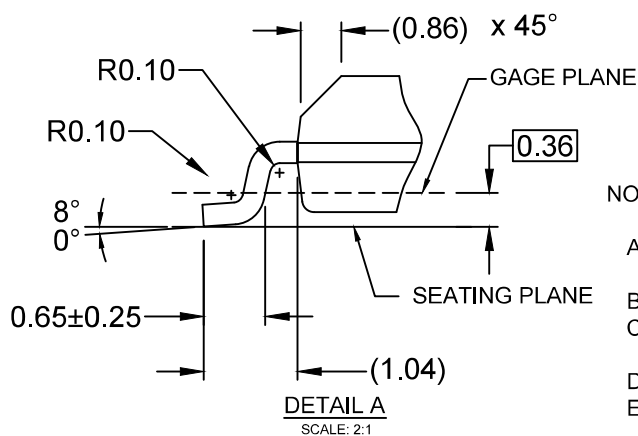
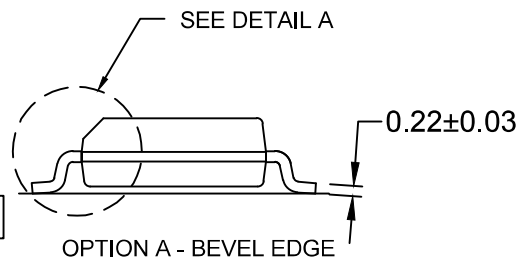
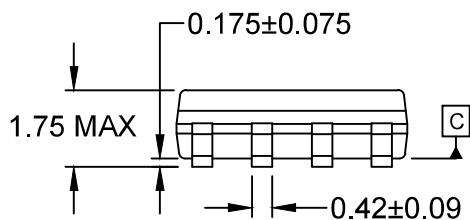
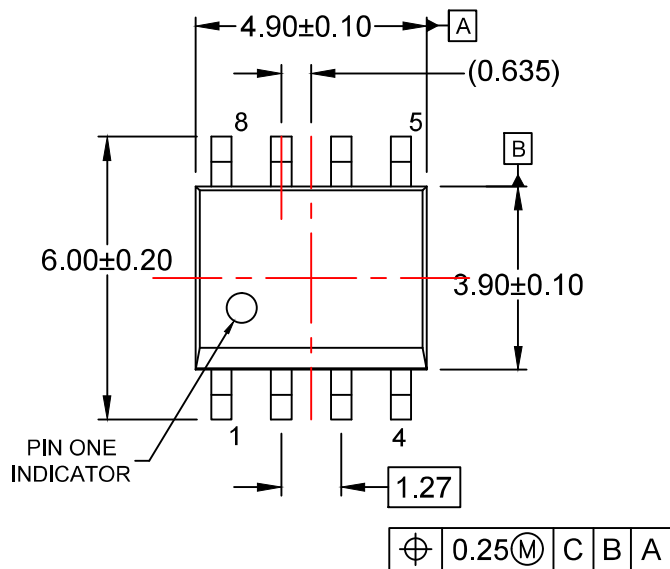
The power ON and OFF V_{DD} threshold voltages are fixed at 10.5 V and 10.1 V, respectively. The FAN6224 can be used in various output voltage applications.

V_{DD} Pin Over-Voltage Protection (OVP)

Over-voltage conditions are usually caused by an open feedback loop. V_{DD} over-voltage protection prevents damage to the SR MOSFET. When the voltage on the VDD pin exceeds 27.5 V; the SR controller stops switching the SR MOSFET.

Over-Temperature Protection (OTP)

To prevent the SR Gate from fault triggering in high temperatures, internal over-temperature protection is integrated in FAN6224. If the temperature is over 140°C, the SR Gate is disabled until the temperature drops below 120°C.



NOTES:

- A) THIS PACKAGE CONFORMS TO JEDEC MS-012, VARIATION AA.
- B) ALL DIMENSIONS ARE IN MILLIMETERS.
- C) DIMENSIONS DO NOT INCLUDE MOLD FLASH OR BURRS.
- D) LANDPATTERN STANDARD: SOIC127P600X175-8M
- E) DRAWING FILENAME: M08Arev16



ON Semiconductor and  are trademarks of Semiconductor Components Industries, LLC dba ON Semiconductor or its subsidiaries in the United States and/or other countries. ON Semiconductor owns the rights to a number of patents, trademarks, copyrights, trade secrets, and other intellectual property. A listing of ON Semiconductor's product/patent coverage may be accessed at www.onsemi.com/site/pdf/Patent-Marking.pdf. ON Semiconductor reserves the right to make changes without further notice to any products herein. ON Semiconductor makes no warranty, representation or guarantee regarding the suitability of its products for any particular purpose, nor does ON Semiconductor assume any liability arising out of the application or use of any product or circuit, and specifically disclaims any and all liability, including without limitation special, consequential or incidental damages. Buyer is responsible for its products and applications using ON Semiconductor products, including compliance with all laws, regulations and safety requirements or standards, regardless of any support or applications information provided by ON Semiconductor. "Typical" parameters which may be provided in ON Semiconductor data sheets and/or specifications can and do vary in different applications and actual performance may vary over time. All operating parameters, including "Typicals" must be validated for each customer application by customer's technical experts. ON Semiconductor does not convey any license under its patent rights nor the rights of others. ON Semiconductor products are not designed, intended, or authorized for use as a critical component in life support systems or any FDA Class 3 medical devices or medical devices with a same or similar classification in a foreign jurisdiction or any devices intended for implantation in the human body. Should Buyer purchase or use ON Semiconductor products for any such unintended or unauthorized application, Buyer shall indemnify and hold ON Semiconductor and its officers, employees, subsidiaries, affiliates, and distributors harmless against all claims, costs, damages, and expenses, and reasonable attorney fees arising out of, directly or indirectly, any claim of personal injury or death associated with such unintended or unauthorized use, even if such claim alleges that ON Semiconductor was negligent regarding the design or manufacture of the part. ON Semiconductor is an Equal Opportunity/Affirmative Action Employer. This literature is subject to all applicable copyright laws and is not for resale in any manner.

PUBLICATION ORDERING INFORMATION

LITERATURE FULFILLMENT:

Literature Distribution Center for ON Semiconductor
19521 E. 32nd Pkwy, Aurora, Colorado 80011 USA
Phone: 303-675-2175 or 800-344-3860 Toll Free USA/Canada
Fax: 303-675-2176 or 800-344-3867 Toll Free USA/Canada
Email: orderlit@onsemi.com

N. American Technical Support: 800-282-9855 Toll Free
USA/Canada
Europe, Middle East and Africa Technical Support:
Phone: 421 33 790 2910
Japan Customer Focus Center
Phone: 81-3-5817-1050

ON Semiconductor Website: www.onsemi.com
Order Literature: <http://www.onsemi.com/orderlit>
For additional information, please contact your local
Sales Representative