

XAPM31

Harmony XAP, XB2 SL, Empty control station,
zinc alloy, blue, undrilled, 80 x 175 x 51.5 mm



Main

| | |
|-----------------------------|---|
| Range of Product | Harmony XAP |
| Product or Component Type | Die-cast empty control station |
| Device short name | XAPM |
| Product front plate size | 80 x 175 mm |
| Usable depth | 1.93 in (49 mm) |
| Number of cut-out | Undrilled |
| Colour of base of enclosure | Blue |
| Colour of cover | Blue |
| Material | Zinc alloy |
| Cable entry | 1 hole with blanking plug for cable gland 0.71 in (18 mm) 1 hole without blanking plug for cable gland 0.71 in (18 mm) |
| Product mounting | Flush mounting |
| IP degree of protection | IP65 IEC 60529 |

Complementary

| | |
|------------|----------------------|
| Net Weight | 1.98 lb(US) (0.9 kg) |
|------------|----------------------|

Environment

| | |
|---------------------------------------|--|
| Protective treatment | TC |
| Ambient Air Temperature for Storage | -40...158 °F (-40...70 °C) |
| Ambient Air Temperature for Operation | -40...158 °F (-40...70 °C) |
| Electrical shock protection class | Class I IEC 60536 Class I NF C 20-030 |

Ordering and shipping details

| | |
|-----------------------|---|
| Category | 18406-WORLD SERVICE PARTS(OTHER OP INT) |
| Discount Schedule | CS2 |
| GTIN | 3389110312874 |
| Nbr. of units in pkg. | 1 |
| Package weight(Lbs) | 34.64 oz (982.0 g) |
| Returnability | No |
| Country of origin | MA |

Packing Units

| | |
|------------------------------|-------------------------|
| Unit Type of Package 1 | PCE |
| Package 1 Height | 3.43 in (8.7 cm) |
| Package 1 width | 4.72 in (12 cm) |
| Package 1 Length | 7.48 in (19 cm) |
| Unit Type of Package 2 | S02 |
| Number of Units in Package 2 | 6 |
| Package 2 Weight | 13.76 lb(US) (6.243 kg) |
| Package 2 Height | 5.91 in (15 cm) |

| | |
|------------------|------------------|
| Package 2 width | 11.81 in (30 cm) |
| Package 2 Length | 15.75 in (40 cm) |

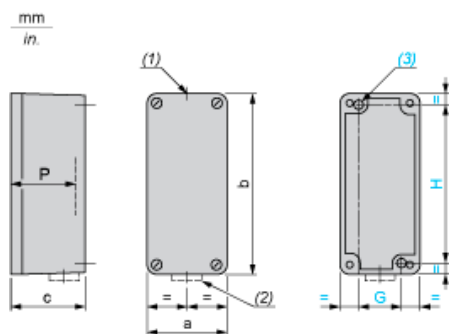
Offer Sustainability

| | |
|----------------------------|---|
| Sustainable offer status | Green Premium product |
| California proposition 65 | WARNING: This product can expose you to chemicals including: Di-isodecyl phthalate (DIDP), which is known to the State of California to cause birth defects or other reproductive harm. For more information go to www.P65Warnings.ca.gov |
| REACH Regulation | REACH Declaration |
| REACH free of SVHC | Yes |
| EU RoHS Directive | Pro-active compliance (Product out of EU RoHS legal scope) EU RoHS Declaration |
| Toxic heavy metal free | Yes |
| Mercury free | Yes |
| RoHS exemption information | Yes |
| China RoHS Regulation | China RoHS Declaration |
| Environmental Disclosure | Product Environmental Profile |
| Circularity Profile | End Of Life Information |

Contractual warranty

| | |
|----------|-----------|
| Warranty | 18 months |
|----------|-----------|

Dimensions and Fixing



- (1) 1 hole, without blanking plug, for cable gland with 18 mm/0.71 in. maximum clamping capacity
- (2) 1 hole, with blanking plug (protrusion 6 mm/0.24 in.), for cable gland with 18 mm/0.71 in. maximum clamping capacity
- (3) 2 x Ø 5.6 mm/0.22 in. holes, depth 20 mm/0.79 in.

| a | | b | | c | | G | | H | | P | |
|----|------|-----|------|------|------|----|------|-----|------|----|------|
| mm | in. | mm | in. | mm | in. | mm | in. | mm | in. | mm | in. |
| 80 | 3.15 | 175 | 6.89 | 51.5 | 2.03 | 50 | 1.97 | 160 | 6.30 | 49 | 1.93 |