



Molded plastic front plate Degree of protection IP55 with emergency stop rotary operating mechanism can be locked for circuit breaker Size S00, S0, S2, S3

**General technical data**

product designation		ISO front plate with EMERGENCY OFF
design of the product		Installation
material of the enclosure		plastic
protection class IP of the enclosure		IP55
product component transparent cover		No

**Installation/ mounting/ dimensions**

width	mm	85
height	mm	107
depth	mm	31

**Certificates/ approvals**

General Product Approval	Declaration of Conformity	Test Certificates	Marine / Shipping
--------------------------	---------------------------	-------------------	-------------------

[Confirmation](#)



[Type Test Certificates/Test Report](#)



Marine / Shipping	other
-------------------	-------



[Confirmation](#)



**Further information**

Information- and Downloadcenter (Catalogs, Brochures,...)

<https://www.siemens.com/ic10>

Industry Mall (Online ordering system)

<https://mall.industry.siemens.com/mall/en/en/Catalog/product?mlfb=3RV1923-4E>

Cax online generator

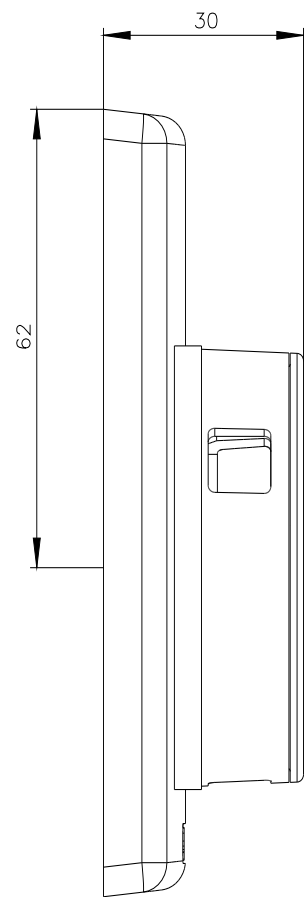
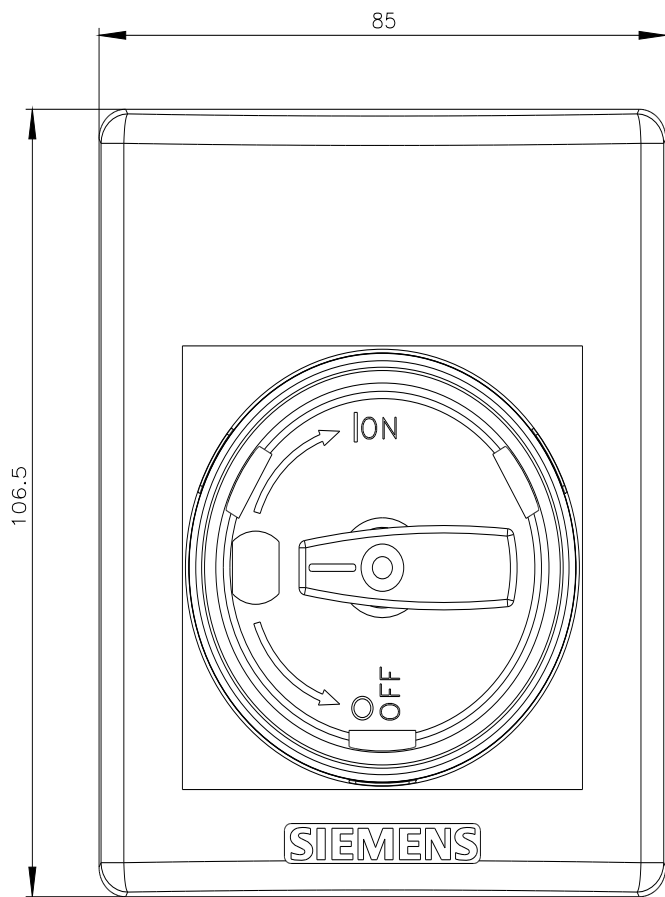
<http://support.automation.siemens.com/WW/CAXorder/default.aspx?lang=en&mlfb=3RV1923-4E>

Service&Support (Manuals, Certificates, Characteristics, FAQs,...)

<https://support.industry.siemens.com/cs/ww/en/ps/3RV1923-4E>

Image database (product images, 2D dimension drawings, 3D models, device circuit diagrams, EPLAN macros, ...)

[http://www.automation.siemens.com/bilddb/cax\\_de.aspx?mlfb=3RV1923-4E&lang=en](http://www.automation.siemens.com/bilddb/cax_de.aspx?mlfb=3RV1923-4E&lang=en)



last modified:

12/23/2020 