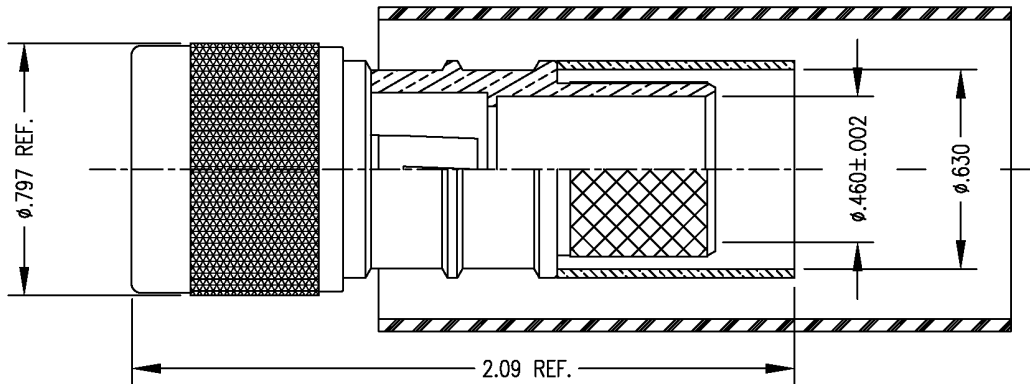


| LTR | DESCRIPTION            | DATE     | BY  |
|-----|------------------------|----------|-----|
| -   | Released               | 11-19-97 | JCL |
| A   | Changed per CDC #32450 | 10/15/10 | KAM |



1.0 PERFORMANCE

- 1.1 FREQUENCY RANGE: DC-11GHz
- 1.2 VOLTAGE RANGE: 1000V RMS (sea level)
- 1.3 NOMINAL IMPEDANCE: 50 OHMS
- 1.4 DWV: 1500V RMS @ 60Hz (sea level)
- 1.5 TEMPERATURE RANGE: -65°C TO +165°C

2.0 MATERIALS

- 2.1 DIELECTRIC: TEFLON, ASTM-D-1710
- 2.2 CENTER CONTACT: BERYLLIUM COPPER, ASTM-B-196
- 2.3 CRIMP FERRULE: DHP SOFT COPPER, CDA 122, SOFT TEMPER
- 2.4 LOCKING RING: PHOSPHOR BRONZE, ASTM-B-159, ALLOY 510
- 2.5 ALL OTHER METAL PARTS: BRASS, ASTM-B-16
- 2.6 GASKET: SILICON RUBBER, ZZ-R-765, GR. 50, RED
- 2.7 SHRINK SLEEVE: THICK WALL POLYOLEFIN, MIL-I-25053/4, CLASS 3, BLACK

3.0 FINISHES: SEE TABLE

4.0 MECHANICAL

- 4.1 INTERFACE IN ACCORDANCE WITH MIL-STD-348

FINISHES

| BODY   | CONTACT |
|--------|---------|
| SILVER | GOLD    |

Unless otherwise specified, dimensions are in inches. Tolerances are applicable when specified.

These drawings and specifications contain proprietary information which is the property of Times Microwave Systems.

| Approvals |     |          |
|-----------|-----|----------|
| Drawn     | JCL | 11-19-97 |
|           |     |          |
|           |     |          |
|           |     |          |



**TIMES MICROWAVE SYSTEMS**

Wallingford, CT 06492  
 (203) 949-8400; (203) 949-8423.Fax  
 www.timesmicrowave.com

**EZ-600-NMK**

**N male (plug)  
 for LMR-600 Cable**

|           |                           |                                 |
|-----------|---------------------------|---------------------------------|
| Size<br>A | CAGE CODE<br><b>68999</b> | Drawing No.:<br><b>3190-669</b> |
|-----------|---------------------------|---------------------------------|

|           |          |               |
|-----------|----------|---------------|
| Scale: NA | Rev. (A) | Sheet: 1 of 1 |
|-----------|----------|---------------|