

Evaluating the ADAU1860 Three ADCs, One DAC, Low Power Codec with Audio DSPs

EVALUATION KIT CONTENTS

- ▶ EVAL-ADAU1860EBZ evaluation board
- ▶ USB cable with micro-USB plug
- ▶ mIDAS-Link emulator

DOCUMENTS NEEDED

- ▶ ADAU1860 data sheet
- ▶ EVAL-ADAU1860EBZ user guide

GENERAL DESCRIPTION

This user guide explains the design and setup of the EVAL-ADAU1860EBZ evaluation board.

The EVAL-ADAU1860EBZ provides access to all the analog and digital inputs and outputs on the ADAU1860. The ADAU1860 core **EVAL-ADAU1860EBZ BOARD PHOTOGRAPH**

is controlled by Analog Devices, Inc., Lark Studio™ software, which interfaces to the EVAL-ADAU1860EBZ via a USB connection. In addition, users can communicate and debug with the Tensilica HiFi 3z DSP core through the JTAG port by using the mIDAS-Link emulator. The [software development kit \(SDK\)](#) is also provided by Analog Devices for code development.

The EVAL-ADAU1860EBZ can be powered by the USB bus or by a single 5 V supply. These supply options are regulated to the voltages required on the EVAL-ADAU1860EBZ. The printed circuit board (PCB) is a 4-layer design, with a ground plane and a power plane on the inner layers. The EVAL-ADAU1860EBZ contains connectors for external microphones and speakers. The master clock can be provided externally or by the on-board 24.576 MHz oscillator.

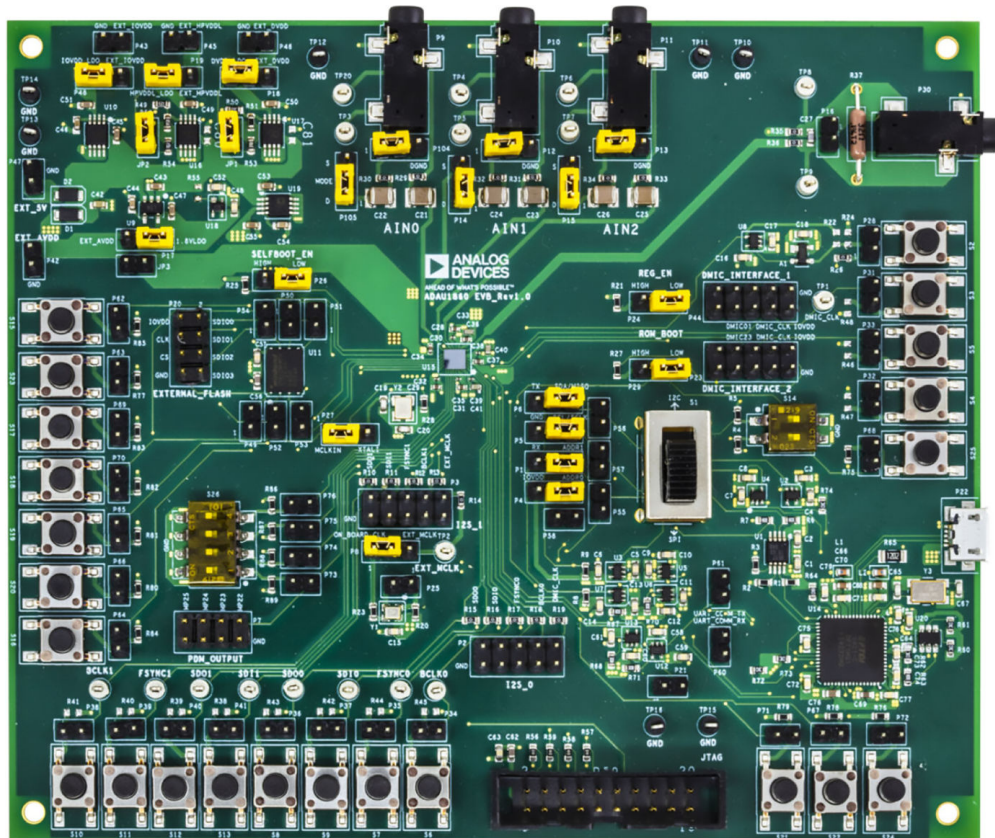


Figure 1.

Analog Devices is in the process of updating documentation to provide terminology and language that is culturally appropriate. This is a process with a wide scope and will be phased in as quickly as possible. Thank you for your patience.

TABLE OF CONTENTS

Evaluation Kit Contents.....	1	Using the Evaluation Board.....	9
Documents Needed.....	1	Power Supply.....	9
General Description.....	1	Control Port.....	10
EVAL-ADAU1860EBZ Board Photograph.....	1	Codec System.....	11
Evaluation Board Block Diagram.....	3	Audio Inputs and Outputs.....	11
Setting Up the Evaluation Board.....	4	Serial Audio Interface.....	12
Installing the Lark Studio Software.....	4	Other Interfaces.....	12
Installing the USB Drivers.....	4	Hardware Description.....	13
Default Switch and Jumper Settings.....	4	Jumpers.....	13
Setting Up Communication in Software.....	5	Evaluation Board Schematics and Artwork.....	15
Powering Up the Evaluation Board.....	5	Ordering Information.....	24
Connecting the Audio Cables.....	5	Bill of Materials.....	24
Creating a Basic Signal Flow.....	5		

REVISION HISTORY**11/2022—Rev. 0 to Rev. A**

Changes to Table 2.....	9
-------------------------	---

10/2021—Revision 0: Initial Version

EVALUATION BOARD BLOCK DIAGRAM

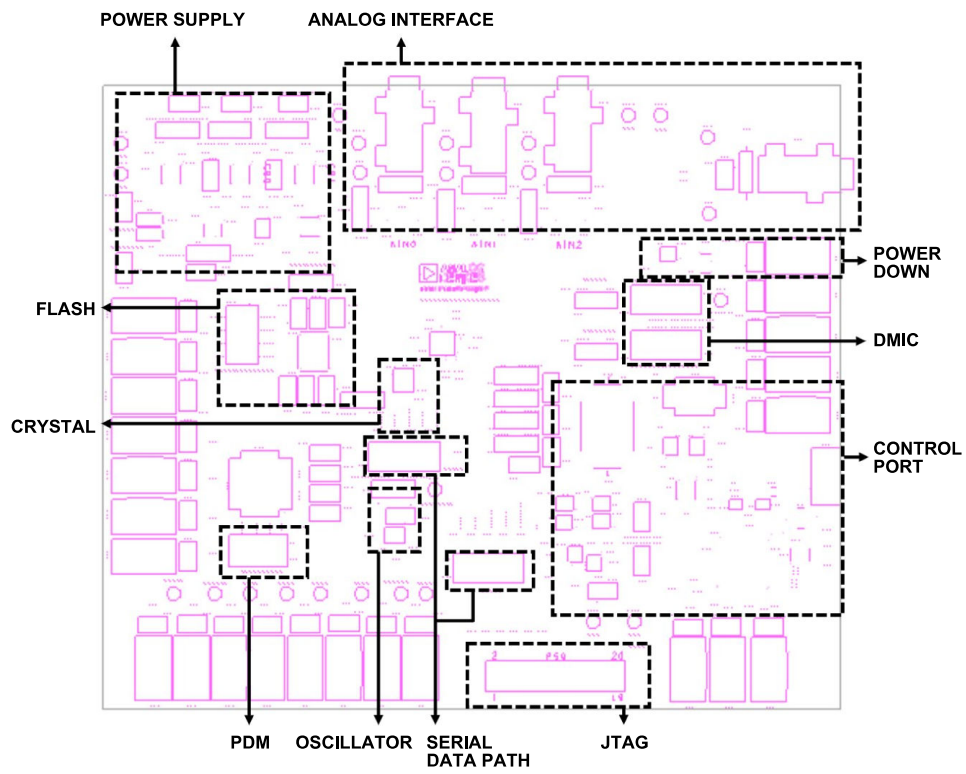


Figure 2. EVAL-ADAU1860EBZ Board Block Diagram

000

SETTING UP THE EVALUATION BOARD

INSTALLING THE LARK STUDIO SOFTWARE

Download and install the latest version of [Lark Studio](#) by completing the following steps:

1. Download the installer and run the executable file.
2. Follow the prompts, including accepting the license agreement, to install the software.

INSTALLING THE USB DRIVERS

If the USB interface is not recognized by the Lark Studio software and PC, go to the Future Technology Devices International (FTDI) Chip official web page and download the relevant drivers.

DEFAULT SWITCH AND JUMPER SETTINGS

[Table 1](#) shows the default switch and jumper settings.

Table 1. Default Switch and Jumper Settings

Jumper and Switch Connections	Option Selected
Pin 1 to Pin 2 of P17	AVDD and HPVDD supplied by 1.8 V on-board low dropout (LDO) regulator
Pin 1 to Pin 2 of P48 and JP3 Removed	IOVDD supplied by 1.8 V on-board LDO
Pin 1 to Pin 2 of P19 and JP2 Connected	HPVDD_L supplied by 1.3 V on-board LDO
Pin 1 to Pin 2 of P18 and JP1 Connected	DVDD supplied by 0.9 V on-board LDO
Pin 2 to Pin 3 of P26	Self boot disabled
Pin 2 to Pin 3 of P24	REG_EN disabled
Pin 2 to Pin 3 of P29	ROM boot disabled
S1 Down (SPI), Pin 2 to Pin 3 of P1, Pin 2 to Pin 3 of P4, Pin 2 to Pin 3 of P5, and Pin 2 to Pin 3 of P6	SPI communication
Pin 1 of S14 to GND and Pin 2 of S14 to GND	I ² C Address 0x64
Pin 1 to Pin 2 of P8 and Pin 2 to Pin 3 of P27 to P27	The master clock source is the on-board, 24.576 MHz oscillator
Pin 1 to Pin 2 of P104 and Pin 1 to Pin 2 of P105	ADC0 differential mode
Pin 1 to Pin 2 of P12 and Pin 1 to Pin 2 of P14	ADC1 differential mode
Pin 1 to Pin 2 of P13 and Pin 1 to Pin 2 of P15	ADC2 differential mode

SETTING UP COMMUNICATION IN SOFTWARE

POWERING UP THE EVALUATION BOARD

To power up the EVAL-ADAU1860EBZ evaluation board, connect the ribbon cable to P22 of the EVAL-ADAU1860EBZ.

CONNECTING THE AUDIO CABLES

Three channels of the microphone inputs support both differential and single-end modes. The headphone output is differential and is dc-coupled. The digital audio signal can be I²S or time division multiplexing (TDM) mode through the serial audio interface.

CREATING A BASIC SIGNAL FLOW

To create a basic signal flow in [LARK Studio](#), follow these steps:

1. Download and install Lark Studio from www.analog.com/ADAU1860.
2. Start Lark Studio by double clicking the shortcut on the desktop.
3. Click **New Project** from the **Project** menu, or click **Create a New Project** in the **Welcome** section to create a new project, as shown in [Figure 3](#). The **New Project** window shows the **Project Type** options.
4. Click on the **Lark** option for the ADAU1860 and then **OK**.
5. Edit the file name, and save the file to a user specified location.
6. Click on **Target Connection** in the left navigation panel, and configure the **Connection settings** panel that opens on the right to set up the connection. If the USB connects, **Target Connected** displays (see [Figure 4](#)).

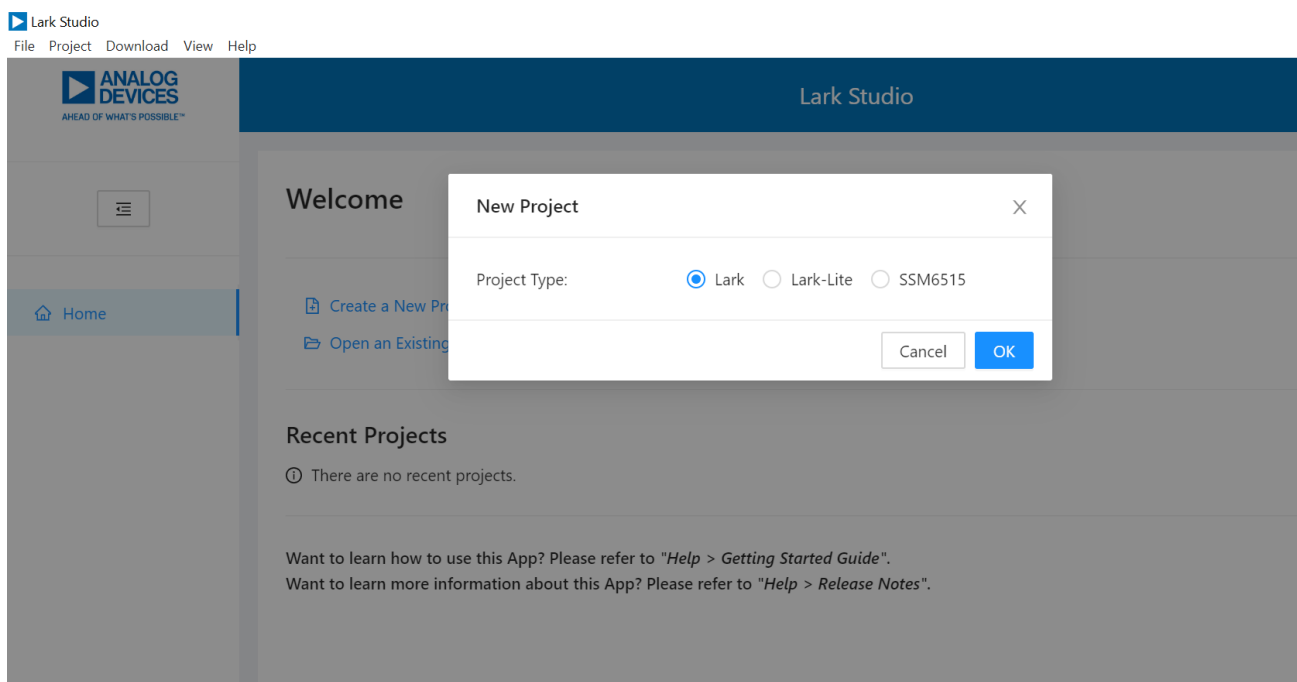


Figure 3. Create a New Project

SETTING UP COMMUNICATION IN SOFTWARE

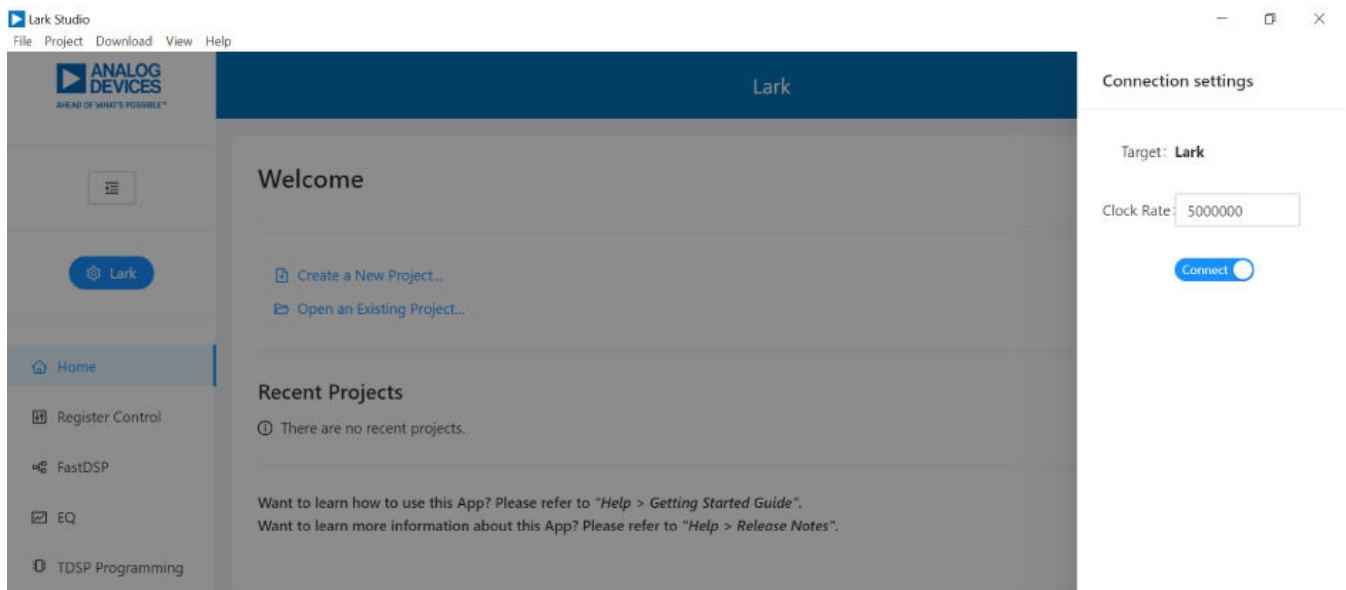


Figure 4. Connect with EVAL-ADAU1860EBZ

Configure the **Register Control**, **FastDSP**, and **EQ** settings on the left navigation panel. **Lark Register Control** has multiple tabs that control different sections of the ADAU1860. Figure 5 shows the **Power** tab, which allows the user to power up or power down various blocks within the ADAU1860. When a block is powered up, that block can be configured.

The **Clock** tab allows the phase-locked loop (PLL) to be used or bypassed. By register default, the PLL is disabled to save power. To generate a 24.576 MHz master clock, enable or disable the PLL according to the provided clock source. On the evaluation board, a 24.576 MHz oscillator and a crystal with same frequency are supplied. To configure an application, follow these steps:

1. Select **Hibernate1**, **BLOCKS_ON**, and **CM_BST_ON** in the **CHIP_PWR** block in the **Power** tab, and then click **Write** (see Figure 5).
2. With the default 24.576 MHz oscillator on board, select **MCLK_FREQ_24P576** or **MCLK_FREQ_INDEX** and set **PLL_FM_BYPASS** to **PLL_FM_BP** in the **Clock** tab, then click on **Write**.
3. Configure the other blocks.

When a register value is changed, click the related **Write** button in a block to update a single register, or the **Write this Page** button below the tabs to update multiple registers. Click **Write All** after all register changes to avoid a configuration error.

SETTING UP COMMUNICATION IN SOFTWARE

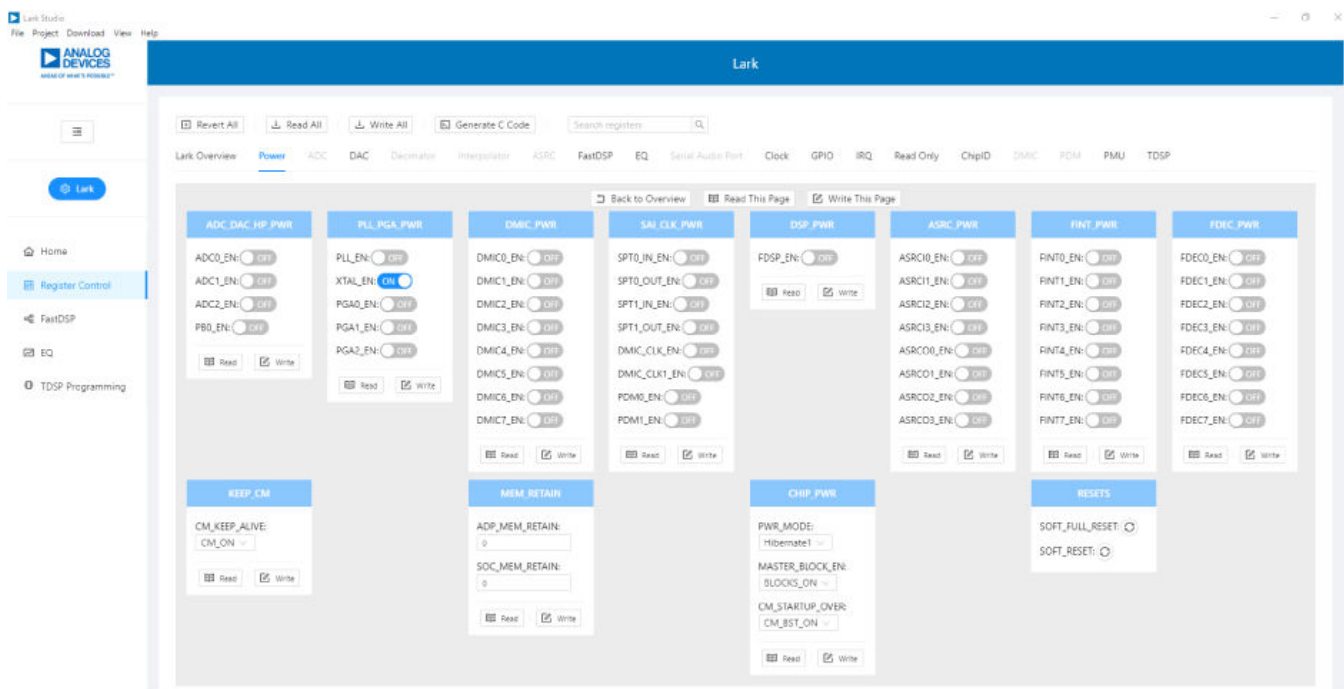


Figure 5. Register Configurations

If FastDSP is required in the project, a schematic must be created with the desired path for the ADAU1860 as follows:

1. Click **FastDSP** in the left navigation panel.
2. In the left pane of the **Lark FastDSP Schematic** window, click an arrow to expand a folder.
3. Select and drag an icon into the schematic window, for example, the **ADC** icon within the **IO** folder (see Figure 6). In this example, AIN1 and ASRC10 are being routed to FastDSP Output 0 and Output 1 separately.
4. To download the correct parameter generated from the schematic, set **fs** to be the same as the FastDSP source, **FDSP_RATE_SOURCE**, which is set in the **FastDSP** tab in the **Lark Register Control** window.
5. Click **Download to Target** to write the parameter and command to FastDSP memory. After the download finishes, FastDSP is enabled and runs automatically.

If the equalizer is required in the project, a configuration of the filters must be set for the ADAU1860 as follows:

1. Click on **EQ** in the navigation panel.
2. Select the filter numbers and relative filter parameters.
3. Set **fs** to be same as the equalizer source, **EQ_ROUTE**, which is set in the **EQ** tab in the **Lark RegisterControl** window.
4. Click **Download to Target** to write the parameter and command to equalizer memory. After the download finishes, the equalizer is enabled and runs automatically.

If Tensilica HiFi 3z DSP (TDSP) is used, a hex file for the TDSP program code can be uploaded via **Lark Studio** as follows:

1. Click **TDSP Programming** in the navigation panel.
2. Select the hex file that will be uploaded.
3. Click **TDSP Program**.
4. After uploading is finished, type in the **Reset Address** for the program, and then click **TDSP Reset**. The TDSP then runs automatically with the uploaded program.

For full details on the operation of Lark Studio, click **Getting Start Guide** from the **Help** menu of the Lark Studio graphical user interface (GUI).

SETTING UP COMMUNICATION IN SOFTWARE

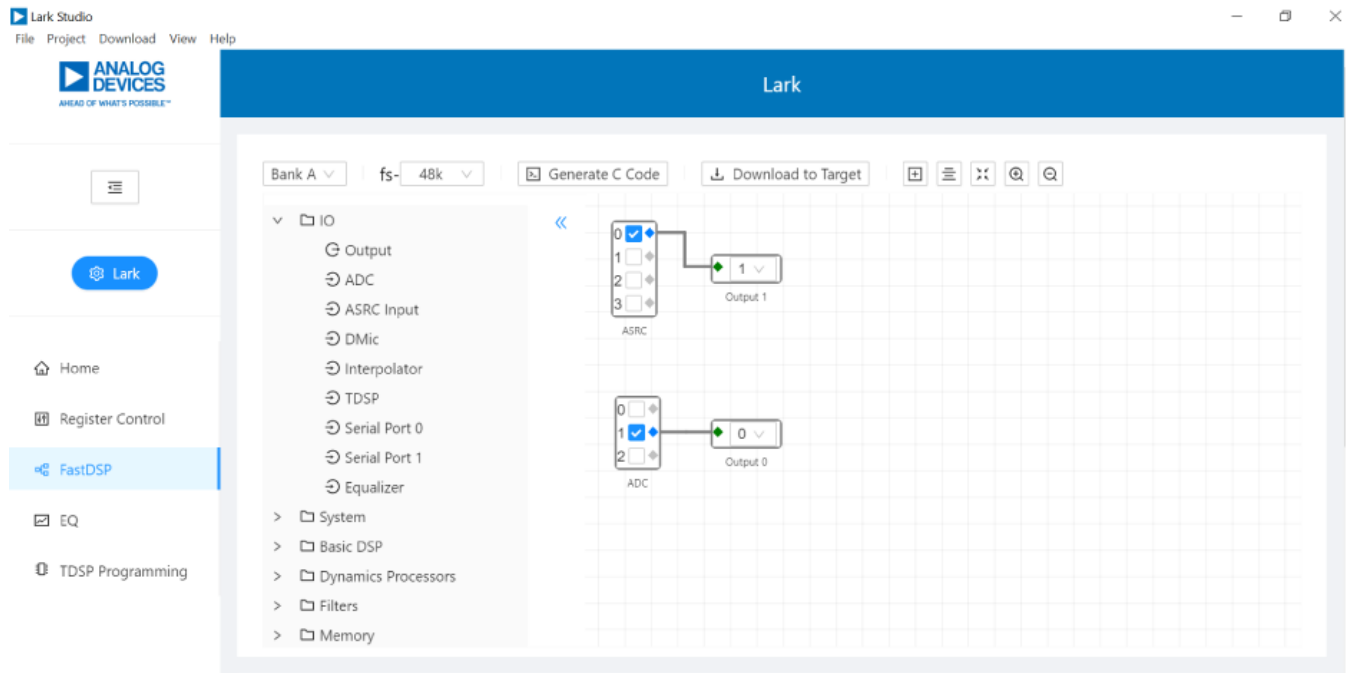


Figure 6. FastDSP Schematic Configuration

USING THE EVALUATION BOARD

POWER SUPPLY

Power can be supplied to the EVAL-ADAU1860EBZ in one of three following ways:

1. Connecting the USB cable to P22.
2. Connecting the 5 V dc power to P47.

3. Connecting the isolated external power supply to P42 for AVDD and HPVDD, P43 for IOVDD, P45 for HPVDD_L, and P46 for DVDD.

The FTDI 4232 is powered by an on-board LDO regulator with a 3.3 V output.

Table 2. Power Supply Jumper Setting

Power Source	On-Board LDO Regulator/Internal LDO Regulator		External	
	Jumper Settings	Power Supply Voltage (V)	Jumper Settings	Port
AVDD and HPVDD	Pin 1 to Pin 2 of P17	1.8	Pin 2 to Pin 3 of P17	P42
IOVDD	Pin 1 to Pin 2 of P48, JP3 removed	1.8	Pin 2 to Pin 3 of P48, JP3 removed	P43
	JP3 connected, P48 removed	1.8, connected to AVDD and HPVDD		
HPVDD_L	Pin 1 to Pin 2 of P19, JP2 connected	1.3	Pin 2 to Pin 3 of P19	P45
	Pin 1 to Pin 2 of P19, JP2 removed	1.5		
DVDD	Pin 2 to Pin 3 of P24 first, then Pin 1 to Pin 2 of P18, JP1 connected	0.9	Pin 2 to Pin 3 of P18	P46
	Pin 2 to Pin 3 of P24 first, then Pin 1 to Pin 2 of P18, JP1 removed	1.1		
	P18 removed first, then Pin 1 to Pin 2 of P24 (ADAU1860 internal LDO enabled)	0.9 (default, register controlled 0.85, 0.9, 0.95, 1, 1.05, 1.1 options)		

USING THE EVALUATION BOARD

CONTROL PORT

The EVAL-ADAU1860EBZ is configured to serial peripheral interface (SPI) mode by default. To operate the codec in I²C or universal asynchronous receiver/transmitter (UART) mode, see [Table 3](#).

Table 3. Control Port Jumper and Switch (S1) Settings

Communication Port	Address Setting	Jumper Settings	Switch Settings
SPI	Not applicable	Pin 2 to Pin 3 of P1, Pin 2 to Pin 3 of P4, Pin 2 to Pin 3 of P5, and Pin 2 to Pin 3 of P6	Down
I ² C	S14, default 0x64 (00), 0x65 (01), 0x66 (10), 0x67 (11)	Pin 2 to Pin 3 of P1, Pin 2 to Pin 3 of P4, Pin 2 to Pin 3 of P5, and Pin 2 to Pin 3 of P6	Up
UART	Not applicable	Pin 1 to Pin 2 of P1, Pin 1 to Pin 2 of P4, Pin 1 to Pin 2 of P5, and Pin 1 to Pin 2 of P6	

USING THE EVALUATION BOARD

CODEC SYSTEM

Clock Option

The EVAL-ADAU1860EBZ has three options for providing a master clock to the ADAU1860. The first option is to provide an external MCLK signal directly to the MCLKIN pin of the codec from P3 and to disable the on-board oscillator by placing a jumper on P25. The second option is to use the on-board 24.576 MHz oscillator, and the third option is to use the on-board 24.576 MHz crystal. Refer to Table 4 to check the master clock settings.

Table 4. Master Clock Jumper Settings

Clock Source	Jumper Settings	External Port
Oscillator	Pin 1 to Pin 2 of P8, and Pin 2 to Pin 3 of P27	Not applicable
Crystal	P8 removed, Pin 1 to Pin 2 of P27	Not applicable
External MCLK	Pin 2 to Pin 3 of P8, and Pin 2 to Pin 3 of P27	Pin 10 of P3

Boot-Up Options

There are two boot-up options for the EVAL-ADAU1860EBZ. Use P26 to select the boot-up options, which are self boot enabled or disabled. When self boot is enabled, the Tensilica HiFi 3z DSP core of the ADAU1860 loads the program from flash through QSPI™ with two ROM boot modes, which can be selected by P29.

Power Down

The EVAL-ADAU1860EBZ can power down all of the analog and digital circuits of the codec by pressing the S2 button or by placing a jumper on P28.

AUDIO INPUTS AND OUTPUTS

The EVAL-ADAU1860EBZ has multiple audio input and output options, including digital and analog. There are three analog inputs, one analog output, eight digital microphone channels, a 2-channel pulse density modulation (PDM) output, and two serial audio interface ports.

Analog Inputs

The three analog inputs (P9, P10, and P11) can be configured as microphone or line inputs, and all of the inputs are differential or single-ended. Each analog input can work with an optional programmable gain amplifier (PGA).

Refer to Table 5 for the hardware configuration of the analog input signals. Note that the control register must be changed simultaneously.

Table 5. ADC Mode Jumper Settings

ADC No.	Mode	Jumper Settings
ADC0	Differential	Pin 1 to Pin 2 of P104, and Pin 1 to Pin 2 of P105
	Single ends	Pin 2 to Pin 3 of P104, and Pin 2 to Pin 3 of P105
ADC1	Differential ends	Pin 1 to Pin 2 of P12, and Pin 1 to Pin 2 of P14
	Single ends	Pin 2 to Pin 3 of P12, and Pin 2 to Pin 3 of P14
ADC2	Differential ends	Pin 1 to Pin 2 of P13, and Pin 1 to Pin 2 of P15
	Single ends	Pin 2 to Pin 3 of P13, and Pin 2 to Pin 3 of P15

Analog Output

The analog output (P30) can be set as a line output driver or as a headphone driver. In line output mode, the typical load is 10 kΩ. In headphone output mode, the typical loads are 16 Ω to 32 Ω. The load on the EVAL-ADAU1860EBZ is 32 Ω by default.

Digital Microphone Inputs

There are two default digital microphone (DMIC) interfaces on the EVAL-ADAU1860EBZ, P44 and P23. Note that Pin 1, Pin 3, Pin 5, Pin 7, and Pin 9 of P44 and Pin 2, Pin 4, Pin 6, Pin 8, and Pin 10 of P23 are GND.

Table 6. DMIC Interface

Function	Pin Number and Pxx Value
IOVDD	Pin 2 of P44
DMIC Clock 0	Pin 4 of P44
DMIC Data 0 DMIC Data 1	Pin 6 of P44
IOVDD	Pin 1 of P23
DMIC Clock 0	Pin 3 of P23
DMIC Data 2 and DMIC Data 3	Pin 5 of P23

PDM Outputs

The PDM output is P7, and its recommended setting is to use the MP22 to MP25 pins as PDM outputs. Note that the MP22 to MP25 pins must be set as PDM outputs in this case. See Table 7 for an example of this case. In addition, note that Pin 2, Pin 4, Pin 6, and Pin 8 of P7 are GND.

Table 7. PDM Interface

Function	Pin Number and Px Value
MP22: PDM_CLK	Pin 1 of P7
MP23: PDM0	Pin 3 of P7
MP24: PDM_CLK	Pin 5 of P7
MP25: PDM1	Pin 7 of P7

USING THE EVALUATION BOARD

SERIAL AUDIO INTERFACE

Serial audio signals in I²S, left justified, right justified, or time division multiplexed (TDM) format are available via the serial audio interface headers (P2 and P3) to connect an external I²S- or TDM-compatible device. The IOVDD logic level is 1.8 V, and Pin 1, Pin 3, Pin 5, Pin 7, and Pin 9 of P2 and Pin 1, Pin 3, Pin 5, Pin 7, and Pin 9 of P3 are all grounded.

Table 8. Serial Audio Interface

Function	Pin Number and Px Value
I2S0 Data Out	Pin 2 of P2
I2S0 Data In	Pin 4 of P2
I2S0 Frame Clock	Pin 6 of P2
I2S0 Bit Clock	Pin 8 of P2
MP0	Pin 10 of P2
I2S1 Data Out	Pin 2 of P3
I2S1 Data In	Pin 4 of P3
I2S1 Frame Clock	Pin 6 of P3
I2S1 Bit Clock	Pin 8 of P3
External MCLK Input	Pin 10 of P3

OTHER INTERFACES

Other interfaces include the following:

- ▶ JTAG
- ▶ UART
- ▶ Flash
- ▶ Multipurpose pin

The JTAG interface is P59. Use the mIDAS-Link emulator to communicate with the Tensilica HiFi 3z DSP core.

The UART interface is P21.

An on-board flash S25FS128S-128 M bits interface is available. Use P49 to P54 to communicate with this flash from the ADAU1860 by QSPI. In addition, use P55 to P58 to communicate with this flash from the SPI. P20 is also included to connect an external flash, if required.

Note that all multipurpose pins (MP0 to MP25) can be controlled by S3 to S13 and S15 to S25 after the jumpers next to these Sx interfaces are connected.

HARDWARE DESCRIPTION

JUMPERS

Table 9 lists the connector and jack descriptions.

Table 9. Connector and Jack Description

Reference Designator	Functional Name	Description
P1	ADDR1_MOSI/UART_RX	Used to connect I ² C Address 1 and SPI data input to the ADAU1860, or to connect UART data receiver to the ADAU1860.
P2	Serial Audio Port 0	Input and output header for serial audio signals.
P3	Serial Audio Port 1	Input and output header for serial audio signals.
P4	ADDR0_SS/IOVDD	Used to select ADDR0_SS or IOVDD for the ADAU1860. ADDR0 is I ² C Address 0, and SS is the SPI latch signal.
P5	SCL_SCLK/GND	Used to select SCL_SCLK or GND for the ADAU1860. SCL is I ² C clock, and SCLK is the SPI clock.
P6	SDA_MISO/UART_TX	Used to connect I ² C data and SPI data output to the ADAU1860, or to connect the UART data transmitter to the ADAU1860.
P7	PDM output interface	Header that allows PDM interface devices to be connected to the EVAL-ADAU1860EBZ.
P8	EXT_MCLK/oscillator	Used to select between the on-board oscillator or an external clock signal to connect to the ADAU1860, and it must be used with P27.
P9	Analog Input 0	Default differential input pins connection.
P10	Analog Input 1	Default differential input pins connection.
P11	Analog Input 2	Default differential input pins connection.
P12	ADC1 input option	Used to select single-ended input or differential input (AINP1 connects to GND).
P13	ADC2 input option	Used to select single-ended input or differential input (AINP2 connects to GND).
P14	ADC1 input option	Used to select single-ended input or differential input (AINP1 connects to CM).
P15	ADC2 input option	Used to select single-ended input or differential input (AINP2 connects to CM).
P16	External headphone	Header that allows external headphone loads to be connected to the EVAL-ADAU1860EBZ.
P17	1.8V_LDO/EXT_AVDD	Used to select between the external source or the 1.8 V on-board LDO regulator for the AVDD and HPVDD.
P18	DVDD_LDO/EXT_DVDD	Used to select between the external source or on-board LDO regulator for DVDD.
P19	HPVDD_L_LDO/EXT_HPVDD_L	Used to select between the external HPVDD_L source or the on-board LDO regulator for HPVDD_L.
P20	External flash interface	Header that connects the external flash to the ADAU1860. When using the external flash, connect P49 to P54 and disconnect P55 to P58.
P21	UART interface	UART communication with level shift.
P22	USB interface	USB 5 V power and communication.
P23	DMIC Interface 2	Header that allows the external digital microphones to be connected to the EVAL-ADAU1860EBZ.
P24	REG_EN	Used to select AVDD or GND to REG_EN.
P25	Oscillator disable	Connect P25 to disable the oscillator.
P26	SELFBOOT	Used to select IOVDD or GND to SELFBOOT_MP19.
P27	XTALI/MCLKIN option	Used to select the signal from P8 or the on-board crystal as the XTALI/MCLKIN.
P29	ROM_BOOT_MODE	Used to select IOVDD or GND to ROM_BOOT_MODE_MP21.
P30	Headphone output	Differential output.
P42	EXT_AVDD	Used to connect the external AVDD supply to the EVAL-ADAU1860EBZ.
P43	EXT_IOVDD	Used to connect the external IOVDD supply to the EVAL-ADAU1860EBZ.

HARDWARE DESCRIPTION

Table 9. Connector and Jack Description (Continued)

Reference Designator	Functional Name	Description
P44	DMIC Interface 1	Header that allows the external digital microphones to be connected to the EVAL-ADAU1860EBZ.
P45	EXT_HPVDL_L	Used to connect the external HPVDL_L supply to the EVAL-ADAU1860EBZ.
P46	EXT_DVDD	Used to connect the external DVDD supply to the EVAL-ADAU1860EBZ.
P47	EXT_5V	Used to connect the external 5 V supply to the EVAL-ADAU1860EBZ.
P48	IOVDD_LDO/EXT_IOVDD	Used to select between the external source or on-board 1.8 V regulator for IOVDD.
P49	QSPIM_CS_MP12 pin jumper	Used to connect CS pin on the on-board flash to the MP12 pin on the ADAU1860.
P50	QSPIM_CLK_MP11 pin jumper	Used to connect the CLK pin on the on-board flash to the MP11 pin on the ADAU1860.
P51 to P54 and P55 to P58	Flash jumper	Used to connect ADAU1860 pins to the on-board flash. Connected P55 to P58 and disconnected P49 to P54 for direct flash programming. Connect P49 to P54 and disconnected P55 to P58 when using the on-board flash.
P59	JTAG interface	JTAG communication.
P60	UART_COMN_RX jumper	Used to connect the UART data receiver to FT4232 (U14).
P61	UART_COMN_TX jumper	Used to connect the UART data transmitter to FT4232 (U14).
P104	ADC0 input option	Select single-ended input or differential input (AINP0 connects to GND).
P105	ADC0 input option	Select to single-ended input or differential input (AINP0 connects to CM).
JP1	DVDD_LDO feedback	Short JP1, DVDD_LDO is 0.9 V. Open JP1, and DVDD_LDO is 1.1 V.
JP2	HPVDL_L_LDO feedback	Short JP2, HPVDL_L_LDO is 1.3 V. Open JP2, and HPVDL_L_LDO is 1.5 V.
JP3	IOVDD jumper	Used to connect IOVDD to AVDD.

EVALUATION BOARD SCHEMATICS AND ARTWORK

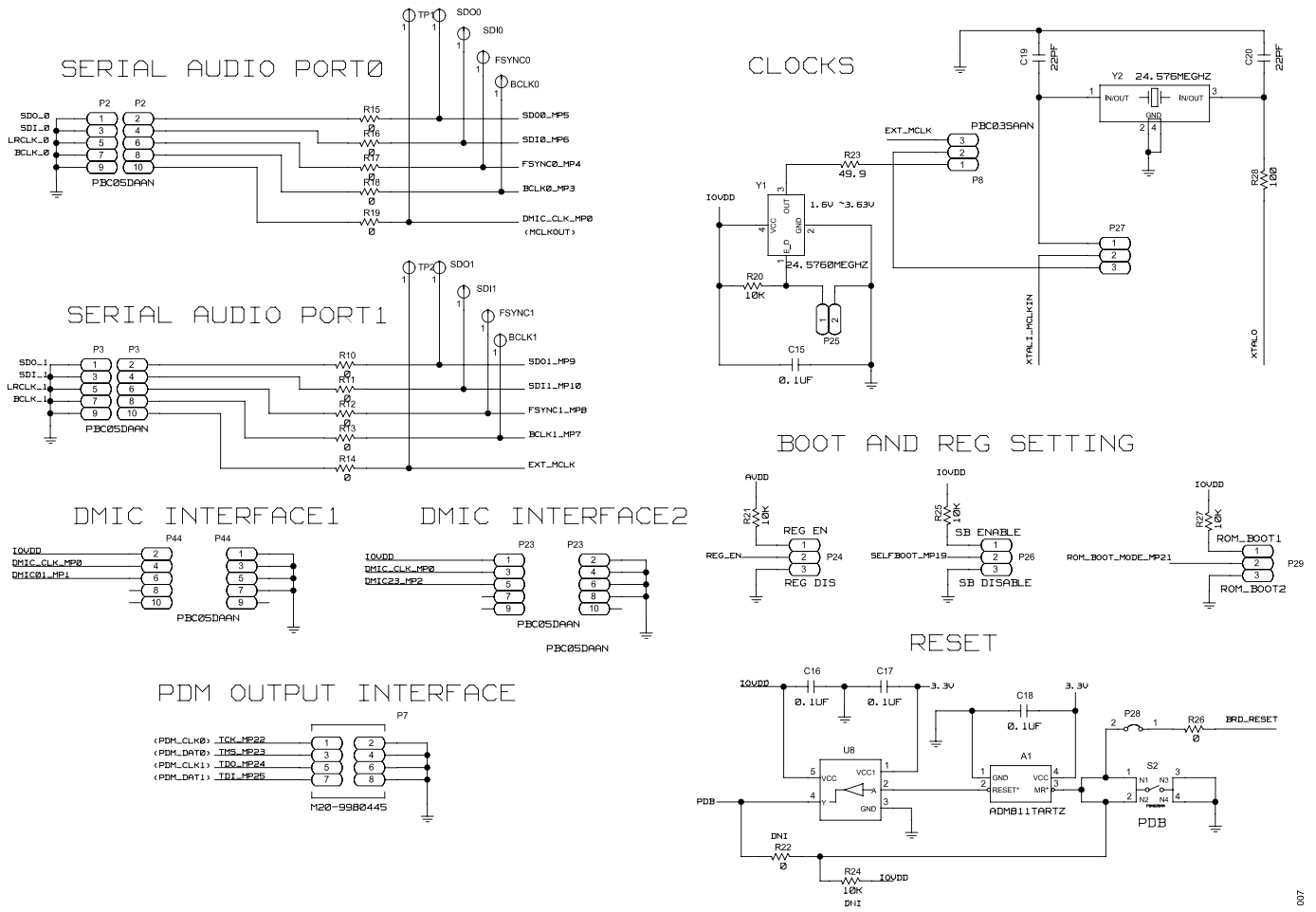


Figure 7. EVAL-ADAU1860EBZ Schematics, Page 1

EVALUATION BOARD SCHEMATICS AND ARTWORK

ADC INPUTS

HEADPHONE OUTPUT

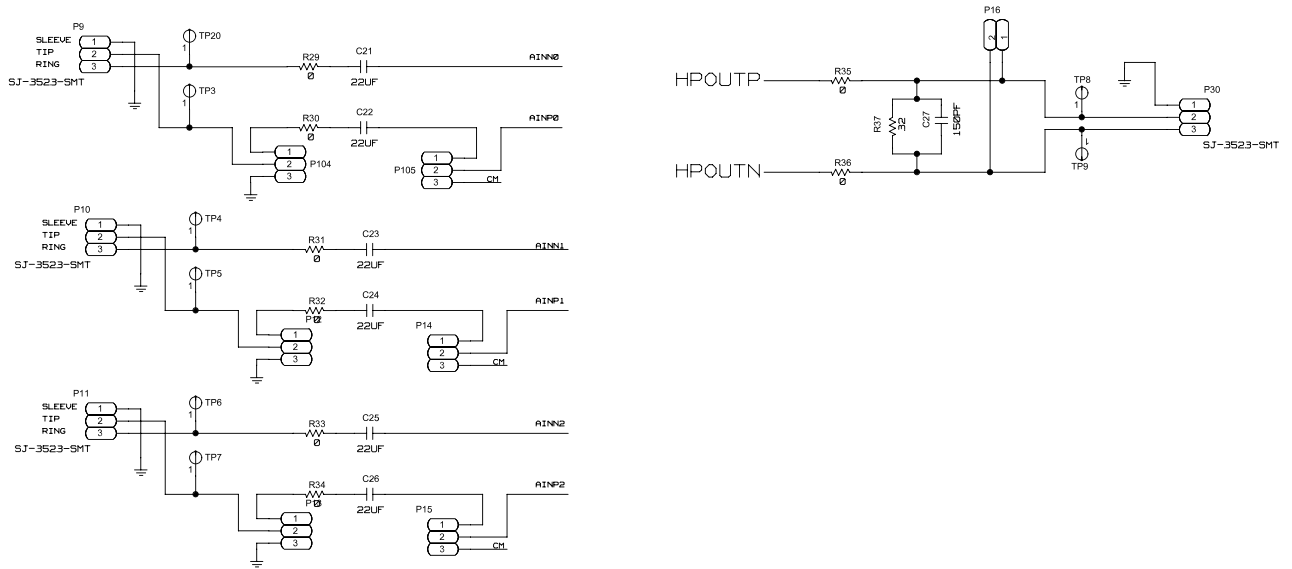


Figure 8. EVAL-ADAU1860EBZ Schematics, Page 2

010

EVALUATION BOARD SCHEMATICS AND ARTWORK

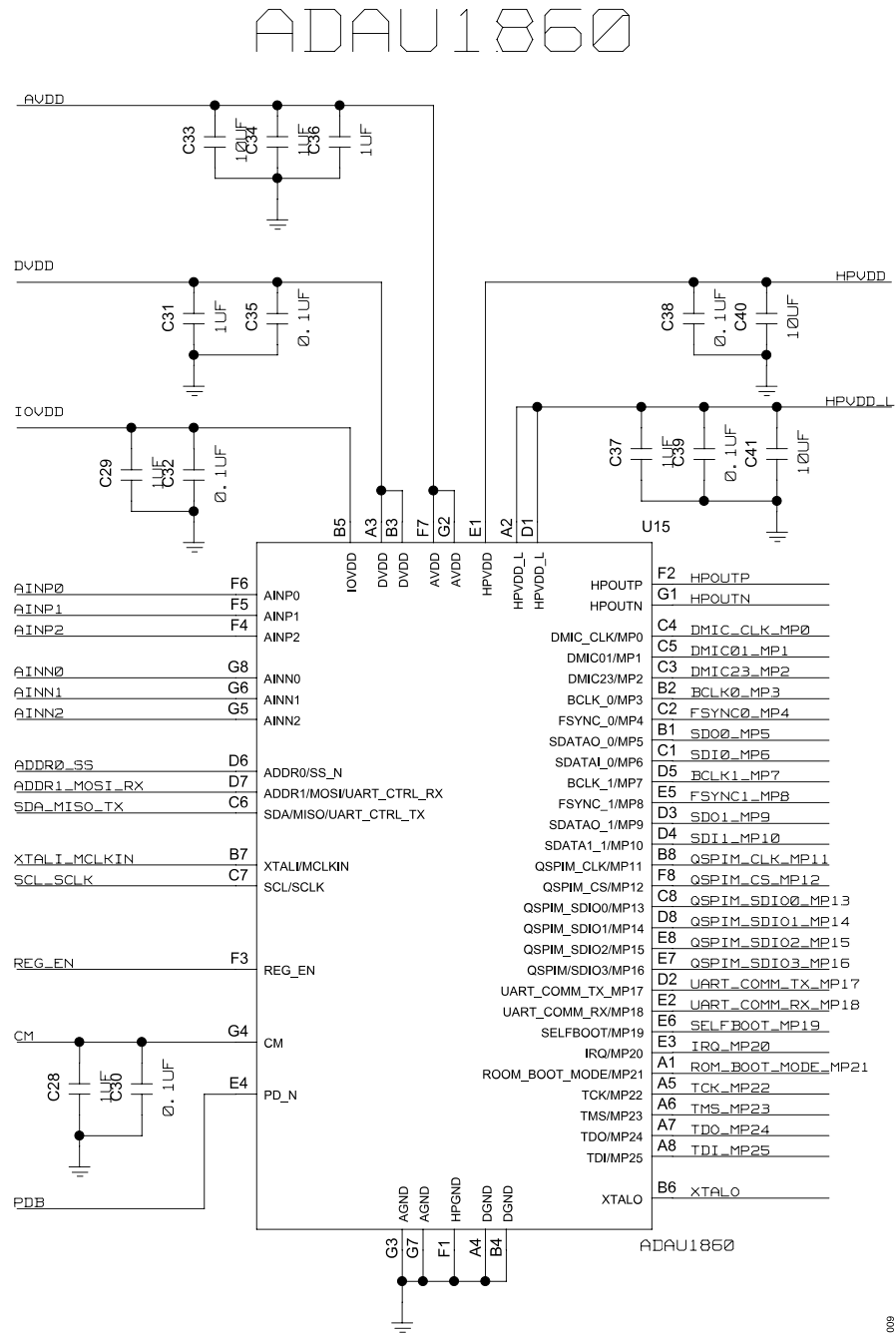


Figure 9. EVAL-ADAU1860EBZ Schematics, Page 3

009

EVALUATION BOARD SCHEMATICS AND ARTWORK

MULTIPURPOSE PIN

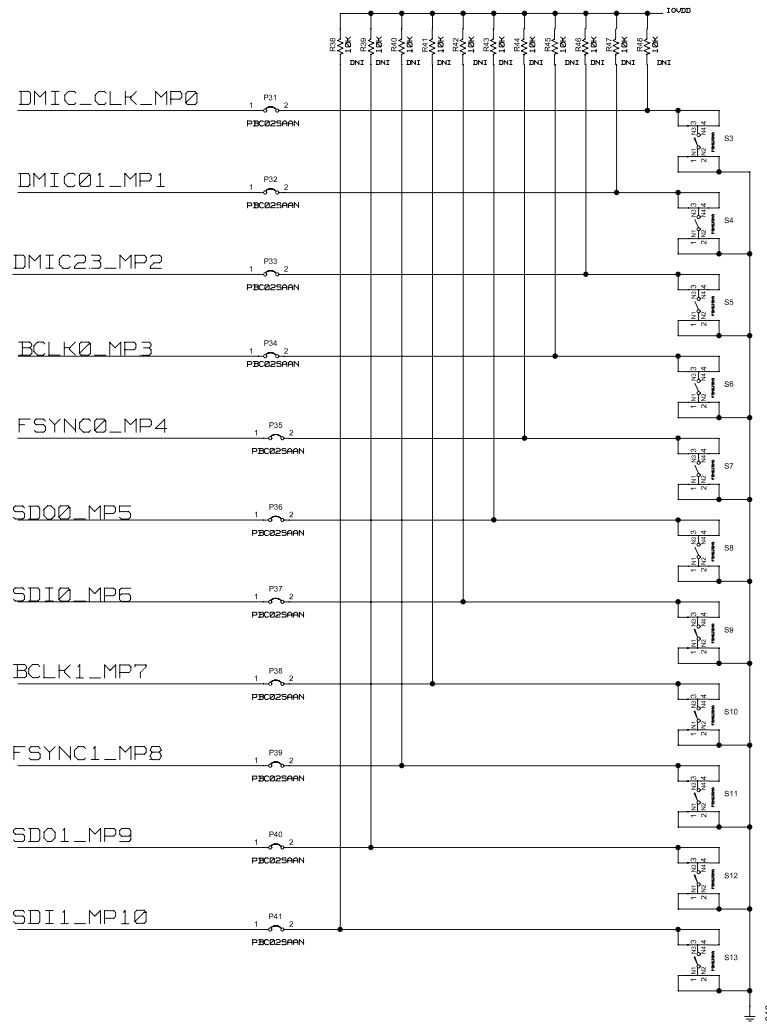


Figure 10. EVAL-ADAU1860EBZ Schematics, Page 4

EVALUATION BOARD SCHEMATICS AND ARTWORK

MULTIPURPOSE PIN

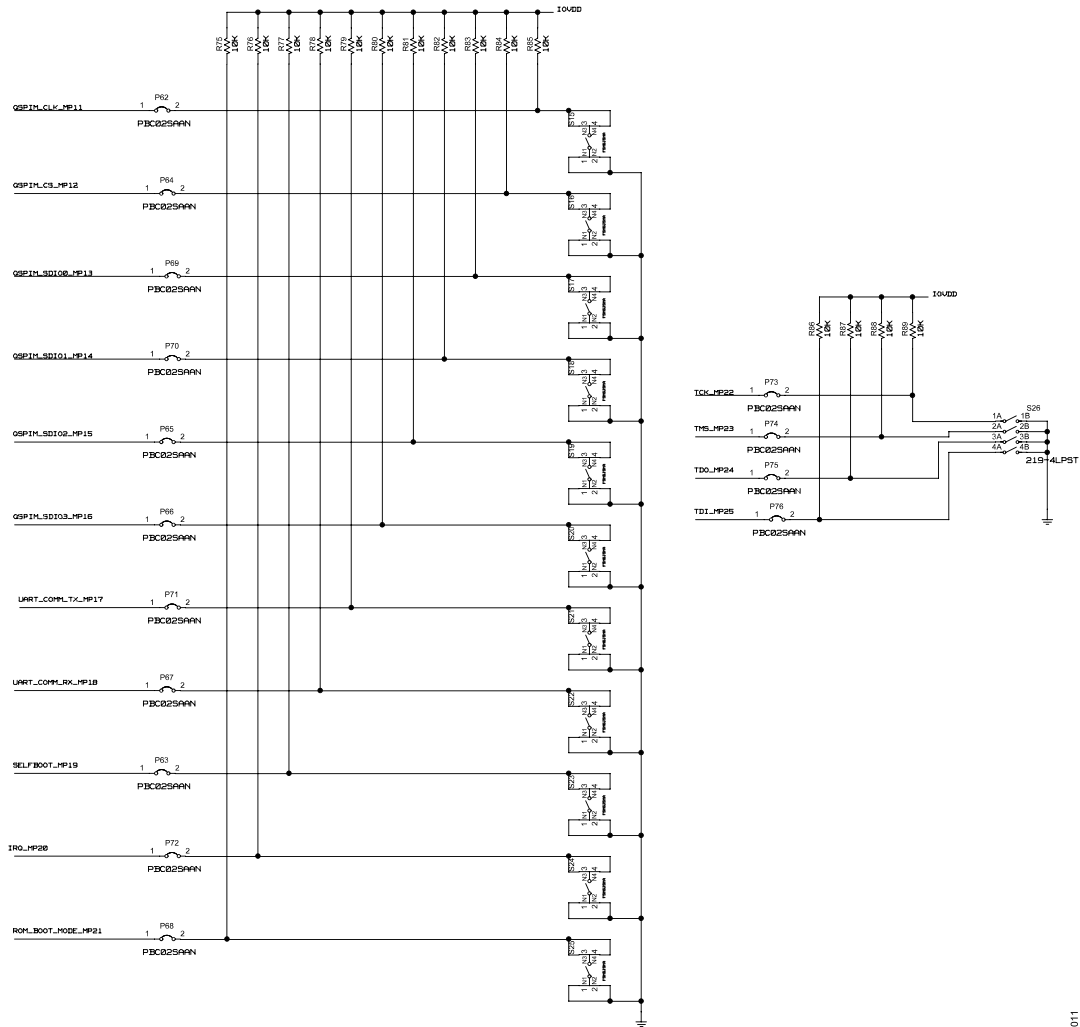


Figure 11. EVAL-ADAU1860EBZ Schematics, Page 5

011

EVALUATION BOARD SCHEMATICS AND ARTWORK

POWER SUPPLIES

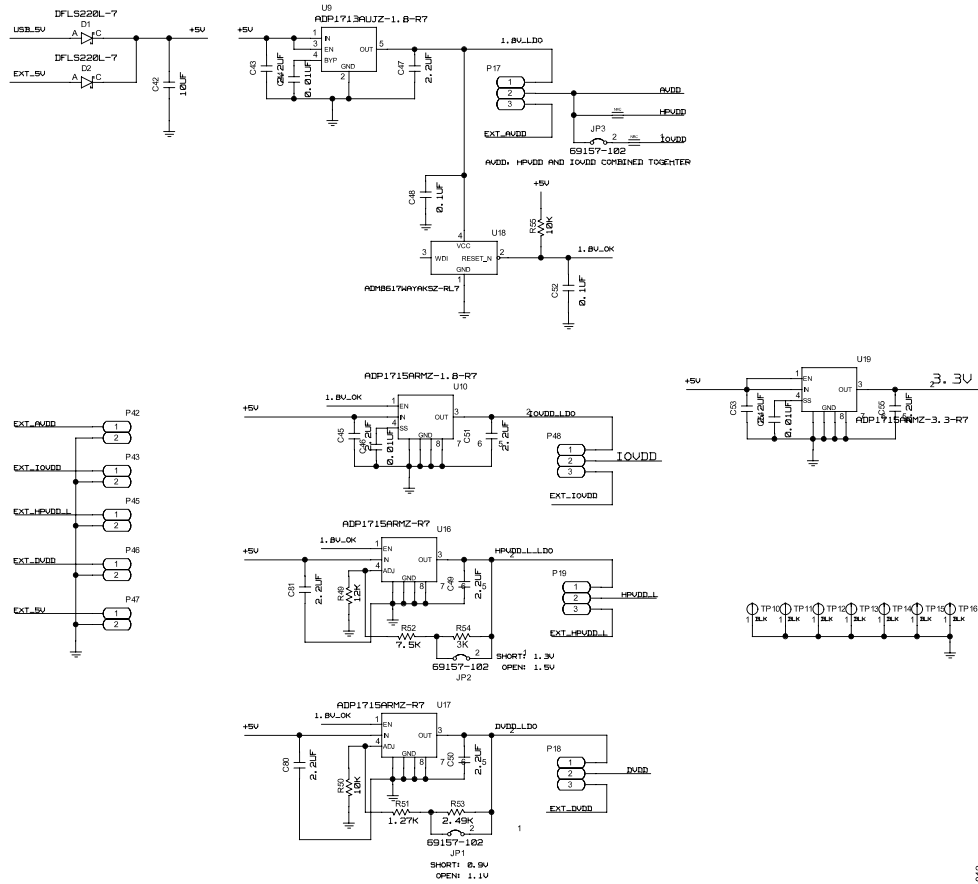


Figure 12. EVAL-ADAU1860EBZ Schematics, Page 6

212

EVALUATION BOARD SCHEMATICS AND ARTWORK

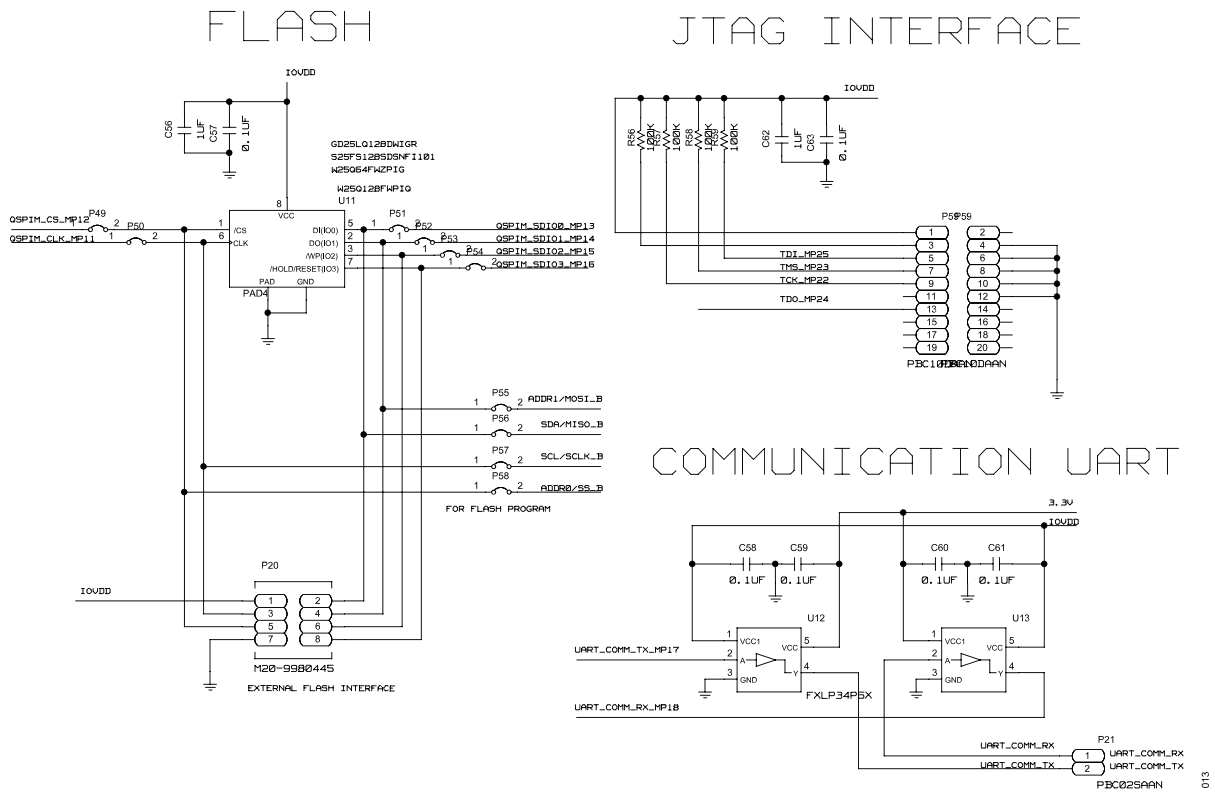


Figure 13. EVAL-ADAU1860EBZ Schematics, Page 7

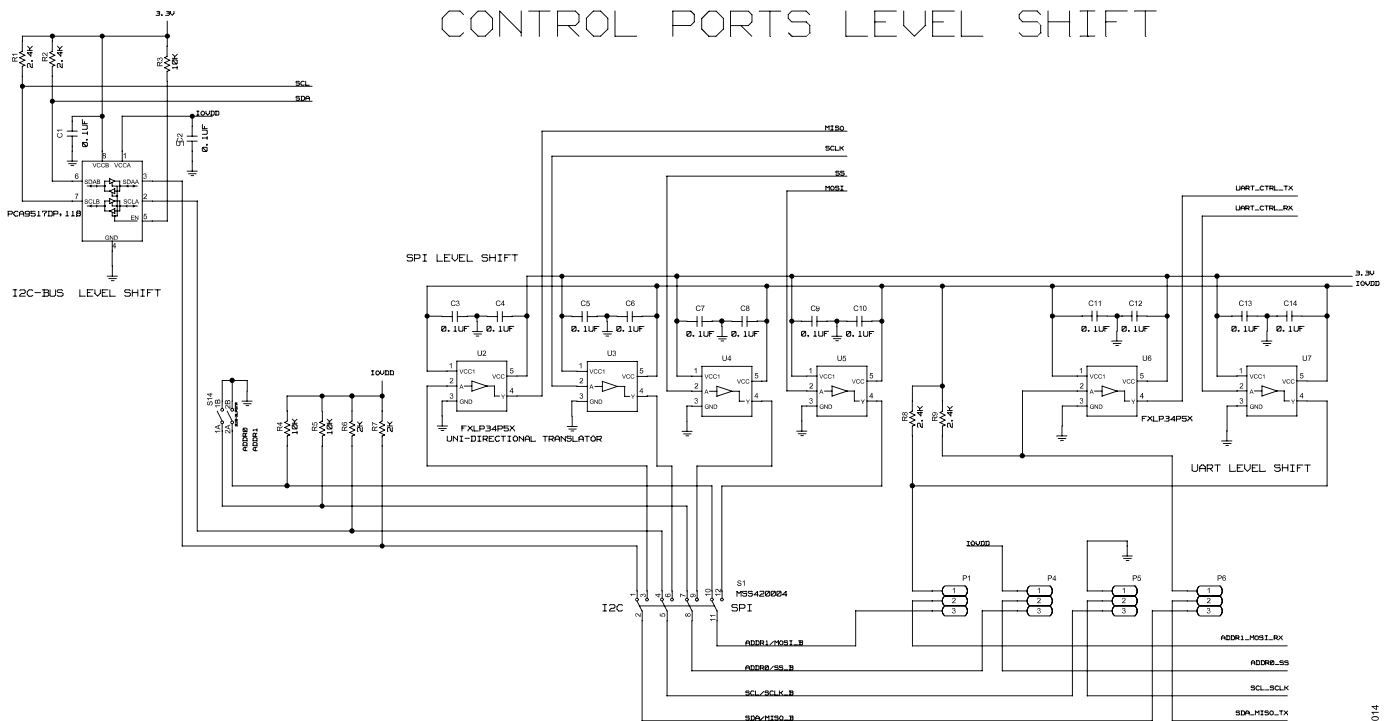
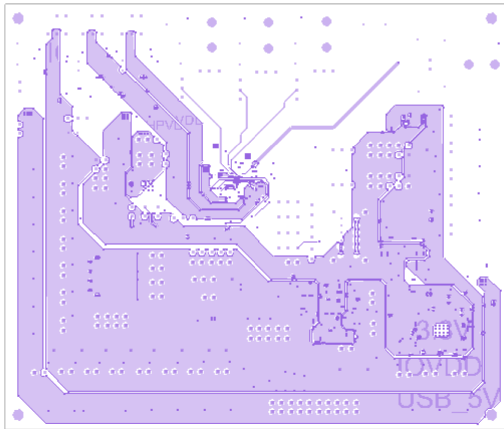


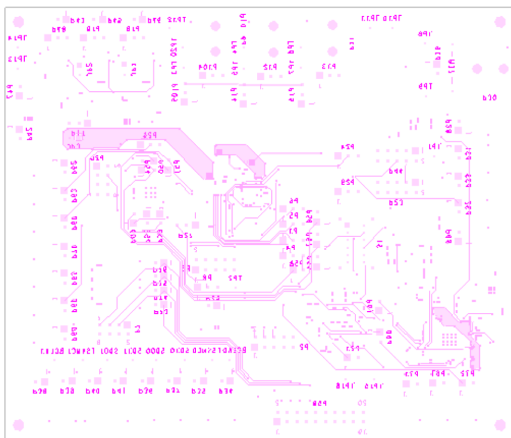
Figure 14. EVAL-ADAU1860EBZ Schematics, Page 8

EVALUATION BOARD SCHEMATICS AND ARTWORK



018

Figure 18. EVAL-ADAU1860EBZ Layer 3, Power Plane



019

Figure 19. EVAL-ADAU1860EBZ Layer 4, Bottom Side

ORDERING INFORMATION

BILL OF MATERIALS

Table 10.

Qty	Reference	Description	Manufacturer	Model Number
1	A1	Microprocessors supervisory circuit in 4-lead SOT-143, logic low RESET output	Analog Devices	ADM811TARTZ
18	BCLK0, BCLK1, FSYNC0, FSYNC1, SDI0, SDI1, SDO0, SDO1, TP1 to TP9, and TP20	PCB connector, test points, white	Keystone Electronics	5002
36	C1 to C18, C48, C52, C57 to C61, C63, C64, C70 to C75, and C77 to C79	0.1 μ F ceramic capacitors, 50 V, 10%, X7R, 0603, AEC-Q200	Vishay	VJ0603Y104KXAAC 31X
2	C19 and C20	22 pF ceramic capacitors, 50 V, 5%, X7R, 0603	AVX Corporation	06035C220JAT2A
6	C21 to C26	22 μ F ceramic capacitors, 16 V, 10%, X5R, 1210	Murata	GRM32ER61C226K E20L
1	C27	150 pF ceramic capacitors, 50 V, 5%, C0G, 0603, AEC-Q200	TDK	CGA3E2NP01H151 J080AA
6	C28, C29, C31, C34, C36, and C37	1 μ F ceramic capacitors, 6.3 V, 10%, X7R, 0402	Murata	GRM155R70J105K A12D
5	C30, C32, C35, C38, and C39	0.1 μ F ceramic capacitors, 6.3 V, 10%, X7R, 0201	Yageo	CC0201KRX7R5BB 104
3	C33, C40, and C41	10 μ F ceramic capacitors, 6.3 V, 20%, X5R, 0402	Samsung	CL05A106MQ5NUN C
1	C42	10 μ F ceramic capacitor, 10 V, 20%, X5R, 0603	Murata	GRM188R61A106M E69D
8	C43, C45, C47, C49 to C51, C53, and C55	2.2 μ F ceramic capacitors, 10 V, 10%, X7R, 0603	Murata	GRM188R71A225K E15D
3	C44, C46, and C54	0.01 μ F ceramic capacitors, 50 V, 10%, X7R, 0603	Murata	GRM188R71H103K A01D
3	C56, C62, and C69	1 μ F ceramic capacitors, 16 V, 10%, X7R, 0603, AEC-Q200, low equivalent series resistance (ESR)	TDK	CGA3E1X7R1C105 K080AC
2	C65 and C67	27 pF ceramic capacitors, 50 V, 5%, C0G, 0603	PHYCOMP (Yageo)	AC0603JRNPO9BN 270
2	C66 and C68	4.7 μ F ceramic capacitors, 16 V, 10%, X6S, 0603	Murata	GRM188C81C475K E11D
1	C76	3.3 μ F ceramic capacitor, 16 V, 20%, X6S, 0603, low ESR	TDK	C1608X6S1C335M0 80AC
2	D1 and D2	Diodes, Schottky barrier rectifier	Diodes, Inc.	DFLS220L-7
3	JP1 to JP3	Connector PCB, jumpers, male, two-position	Amphenol, FCI	69157-102
2	L1 and L2	100 nH inductors, surface mount	Coilcraft	0603CS-R10XGLU
19	P1, P4 to P6, P8, P12 to P15, P17 to P19, P24, P26, P27, P29, P48, P104, and P105	Connector PCB, 3-position male headers, unshrouded, single row, 2.54 mm pitch, 3.05 mm solder tail	Sullins	PBC03SAAN
4	P9 to P11 and P30	Connector PCB, 3.5 mm surface-mount audio jack stereos	CUI	SJ-3523-SMT-TR
47	P16, P21, P25, P28, P31 to P43, P45 to P47, P49 to P58, and P60 to P76	Connector PCB, 2-position male headers, unshrouded, single row, 2.54 mm pitch, 3.05 mm solder tail	Sullins	PBC02SAAN
4	P2, P3, P23, and P44	Connector PCB, 10-position male headers, unshrouded, double row, 2.54 mm pitch, 3.05 mm solder tail	Sullins	PBC05DAAN
2	P7 and P20	Connector PCB, headers, 9-pin, double row	Harwin	M20-9980445
1	P22	Connector PCB, micro USB 2.0	Hirose	ZX62-B-5PA(33)
1	P59	Connector PCB, header, shrouded ST, 20-position, male	Omron or 3M	XG4C-2031 / N2520-6003RB
4	R1, R2, R8, and R9	2.4 k Ω resistors, surface-mounted device (SMD), 1%, 1/10 W, 0603, AEC-Q200	Panasonic	ERJ-3EKF2401V
19	R10 to R19, R26, and R29 to R36	0 Ω resistors, SMD, jumper, 1/10 W, 0603, AEC-Q200	Panasonic	ERJ-3GEY0R00V

ORDERING INFORMATION

Table 10. (Continued)

Qty	Reference	Description	Manufacturer	Model Number
22	R3 to R5, R20, R21, R25, R27, and R75 to R89	10 kΩ resistors, SMD, 1%, 1/10 W, 0603, AEC-Q200	Panasonic	ERJ-3EKF1002V
1	R23	49.9 Ω resistors, SMD, 1%, 1/10 W, 0603, AEC-Q200	Panasonic	ERJ-3EKF49R9V
1	R28	100 Ω resistor, SMD, 1%, 1/10 W, 0603, AEC-Q200	Panasonic	ERJ-3EKF1000V
1	R37	32 Ω resistor, TH, 0.1%, 1/2 W, 6.1 mm × 2.29 mm industrial precision	Vishay	CMF5532R000BHE K
1	R49	12 kΩ resistor, SMD, 0.1%, 1/10 W, 0603, AEC-Q200, high reliability	Panasonic	ERA-3AEB123V
7	R50, R60 to R62, and R72 to R74	10 kΩ resistors, SMD, 5%, 1/10 W, 0603	Yageo	RC0603JR-0710KL
1	R51	1.27 kΩ resistor, SMD, 1%, 1/10 W, 0603, AEC-Q200	Panasonic	ERJ-3EKF1271V
1	R52	7.5 kΩ resistor, SMD, 0.1%, 0.15 W, 0603, AEC-Q200, sulfur resistant	Yageo	AC0603DR-077K5L
1	R53	2.49 kΩ resistor, SMD, 1%, 1/10 W, 0603	Yageo	RC0603FR-072K49 L
1	R54	3 kΩ resistor, SMD, 1%, 1/10 W, 0603	Yageo	RC0603FR-073KL
7	R6, R7, R63, R67, R68, R70, and R71	2 kΩ resistors, SMD, 1%, 1/10 W, 0603	Yageo	RC0603FR-072KL
4	R56 to R59	100 kΩ resistors, SMD, 1%, 1/10 W, 0603	Bourns	CR0603-FX-1003ELF
1	R64	1 kΩ resistor, SMD, 1%, 1/10 W, 0603	Yageo	RC0603FR-071KL
1	R65	12 kΩ resistor, SMD, 1%, 1/4 W, 1206	Yageo	RC1206FR-0712KL
1	S1	Switch, slide, 4 pole double throw	TE Connectivity	MSS420004
23	S2 to S13, and S15 to S25	Switches, tactile, 6 mm Gullwing, surface-mounted device (SMD)	TE Connectivity LTD	FSM6JSMA
1	S14	Single position, single throw (SPST) switch, slide, 2-position	CTS Electronic Components	219-2LPSTR
1	S26	4-position switch, slide DIP	CTS Electronic Components	219-4LPST
7	TP10 to TP16	Connector PCB, test points, black	Keystone Electronics	5001
1	U1	IC, CMOS I ² C bus repeater	NXP Semiconductors	PCA9517DP, 118
1	U10	IC, 500 mA low dropout CMOS linear regulator with soft start	Analog Devices	ADP1715ARMZ-1.8-R7
1	U11	IC, 1.8 V, 128 M-bit, serial flash memory with dual/quad SPI and QPI	Winbond	W25Q128FWPIG
9	U2 to U8, U12, and U13	IC, 1-bit translator	Fairchild Semiconductor	FXLP34P5X
1	U14	IC, quad high speed USB to multipurpose UART, MPSSE	Future Technology Devices International LTD (FTDI)	FT4232HQ-REEL
1	U15	IC, three ADCs, one DAC, low power codec with audio DSPs	Analog Devices	ADAU1860
2	U16 and U17	IC, 500 mA low dropout CMOS linear regulator with soft start	Analog Devices	ADP1715ARMZ-R7
1	U18	IC, low voltage supervisory circuit with watchdog in 4-lead SC70	Analog Devices	ADM8616WCYAKS Z-RL7
1	U19	IC, 500 mA low dropout CMOS linear regulator with soft start	Analog Devices	ADP1715ARMZ-3.3-R7
1	U20	IC, 1K microwire-compatible serial EEPROM	Microchip Technology	93AA46BT-I/OT
1	U9	IC, 300 mA, low dropout CMOS linear regulator	Analog Devices	ADP1713AUJZ-1.8-R7

ORDERING INFORMATION

Table 10. (Continued)

Qty	Reference	Description	Manufacturer	Model Number
1	Y1	IC, crystal clock oscillator, 24.5760 MHz	AVX-Kyocera	KC2520K24.5760C10E00
1	Y2	IC, crystal quartz, 12 pF, 50 Ω , 24.576 MHz	ECS, Inc.	ECS-245.7-12-33Q-JES-TR
1	Y3	IC, crystal ceramic, 10 pF load capacitance, fundamental operation mode, 200 Ω ESR, 10 MHz	Abracon Corporation	ABM3B-12.000MHZ-10-1-U-T

^{12}C refers to a communications protocol originally developed by Philips Semiconductors (now NXP Semiconductors).

**ESD Caution**

ESD (electrostatic discharge) sensitive device. Charged devices and circuit boards can discharge without detection. Although this product features patented or proprietary protection circuitry, damage may occur on devices subjected to high energy ESD. Therefore, proper ESD precautions should be taken to avoid performance degradation or loss of functionality.

Legal Terms and Conditions

By using the evaluation board discussed herein (together with any tools, components documentation or support materials, the "Evaluation Board"), you are agreeing to be bound by the terms and conditions set forth below ("Agreement") unless you have purchased the Evaluation Board, in which case the Analog Devices Standard Terms and Conditions of Sale shall govern. Do not use the Evaluation Board until you have read and agreed to the Agreement. Your use of the Evaluation Board shall signify your acceptance of the Agreement. This Agreement is made by and between you ("Customer") and Analog Devices, Inc. ("ADI"), with its principal place of business at Subject to the terms and conditions of the Agreement, ADI hereby grants to Customer a free, limited, personal, temporary, non-exclusive, non-sublicensable, non-transferable license to use the Evaluation Board FOR EVALUATION PURPOSES ONLY. Customer understands and agrees that the Evaluation Board is provided for the sole and exclusive purpose referenced above, and agrees not to use the Evaluation Board for any other purpose. Furthermore, the license granted is expressly made subject to the following additional limitations: Customer shall not (i) rent, lease, display, sell, transfer, assign, sublicense, or distribute the Evaluation Board; and (ii) permit any Third Party to access the Evaluation Board. As used herein, the term "Third Party" includes any entity other than ADI, Customer, their employees, affiliates and in-house consultants. The Evaluation Board is NOT sold to Customer; all rights not expressly granted herein, including ownership of the Evaluation Board, are reserved by ADI. CONFIDENTIALITY. This Agreement and the Evaluation Board shall all be considered the confidential and proprietary information of ADI. Customer may not disclose or transfer any portion of the Evaluation Board to any other party for any reason. Upon discontinuation of use of the Evaluation Board or termination of this Agreement, Customer agrees to promptly return the Evaluation Board to ADI. ADDITIONAL RESTRICTIONS. Customer may not disassemble, decompile or reverse engineer chips on the Evaluation Board. Customer shall inform ADI of any occurred damages or any modifications or alterations it makes to the Evaluation Board, including but not limited to soldering or any other activity that affects the material content of the Evaluation Board. Modifications to the Evaluation Board must comply with applicable law, including but not limited to the RoHS Directive. TERMINATION. ADI may terminate this Agreement at any time upon giving written notice to Customer. Customer agrees to return to ADI the Evaluation Board at that time. LIMITATION OF LIABILITY. THE EVALUATION BOARD PROVIDED HEREUNDER IS PROVIDED "AS IS" AND ADI MAKES NO WARRANTIES OR REPRESENTATIONS OF ANY KIND WITH RESPECT TO IT. ADI SPECIFICALLY DISCLAIMS ANY REPRESENTATIONS, ENDORSEMENTS, GUARANTEES, OR WARRANTIES, EXPRESS OR IMPLIED, RELATED TO THE EVALUATION BOARD INCLUDING, BUT NOT LIMITED TO, THE IMPLIED WARRANTY OF MERCHANTABILITY, TITLE, FITNESS FOR A PARTICULAR PURPOSE OR NON-INFRINGEMENT OF INTELLECTUAL PROPERTY RIGHTS. IN NO EVENT WILL ADI AND ITS LICENSORS BE LIABLE FOR ANY INCIDENTAL, SPECIAL, INDIRECT, OR CONSEQUENTIAL DAMAGES RESULTING FROM CUSTOMER'S POSSESSION OR USE OF THE EVALUATION BOARD, INCLUDING BUT NOT LIMITED TO LOST PROFITS, DELAY COSTS, LABOR COSTS OR LOSS OF GOODWILL. ADI'S TOTAL LIABILITY FROM ANY AND ALL CAUSES SHALL BE LIMITED TO THE AMOUNT OF ONE HUNDRED US DOLLARS (\$100.00). EXPORT. Customer agrees that it will not directly or indirectly export the Evaluation Board to another country, and that it will comply with all applicable United States federal laws and regulations relating to exports. GOVERNING LAW. This Agreement shall be governed by and construed in accordance with the substantive laws of the Commonwealth of Massachusetts (excluding conflict of law rules). Any legal action regarding this Agreement will be heard in the state or federal courts having jurisdiction in Suffolk County, Massachusetts, and Customer hereby submits to the personal jurisdiction and venue of such courts. The United Nations Convention on Contracts for the International Sale of Goods shall not apply to this Agreement and is expressly disclaimed.

