

## Evaluating the **AD5758** Single-Channel, 16-Bit Current and Voltage Output DAC with Dynamic Power Control and HART Connectivity

### FEATURES

- Full featured evaluation board for the **AD5758**
- On-board 2.5 V **ADR4525** reference
- On-board **ADP1031-1** isolated PMU with integrated SPI signal isolation channels
- ACE** software for control

### EVALUATION KIT CONTENTS

- EVAL-AD5758SDZ evaluation board

### EQUIPMENT NEEDED

- EVAL-SDP-CS1Z** board
- Bench top power supply and connector cables

### ADDITIONAL DOCUMENTS REQUIRED

- AD5758** data sheet
- ACE** User Manual

### SOFTWARE REQUIRED

- ACE** software for control

### GENERAL DESCRIPTION

This user guide describes the evaluation board for the **AD5758**, a single-channel, voltage and current output, digital-to-analog converter (DAC) with on-chip dynamic power control (DPC) to minimize package power dissipation.

For full details, refer to the **AD5758** data sheet. Consult the data sheet when using the EVAL-AD5758SDZ. The configuration of the various link options is explained in the Evaluation Board Hardware section. The installation of the companion software is discussed in the Evaluation Software Quick Start Procedures section.

The EVAL-AD5758SDZ, as shown in Figure 1, requires the **EVAL-SDP-CS1Z** board. The EVAL-AD5758SDZ interfaces to the USB port of the PC via the **EVAL-SDP-CS1Z** board. The **Analysis|Control|Evaluation (ACE)** software allows simplified programming of the **AD5758**, and is available with the EVAL-AD5758SDZ evaluation board.

### EVALUATION BOARD PHOTOGRAPH

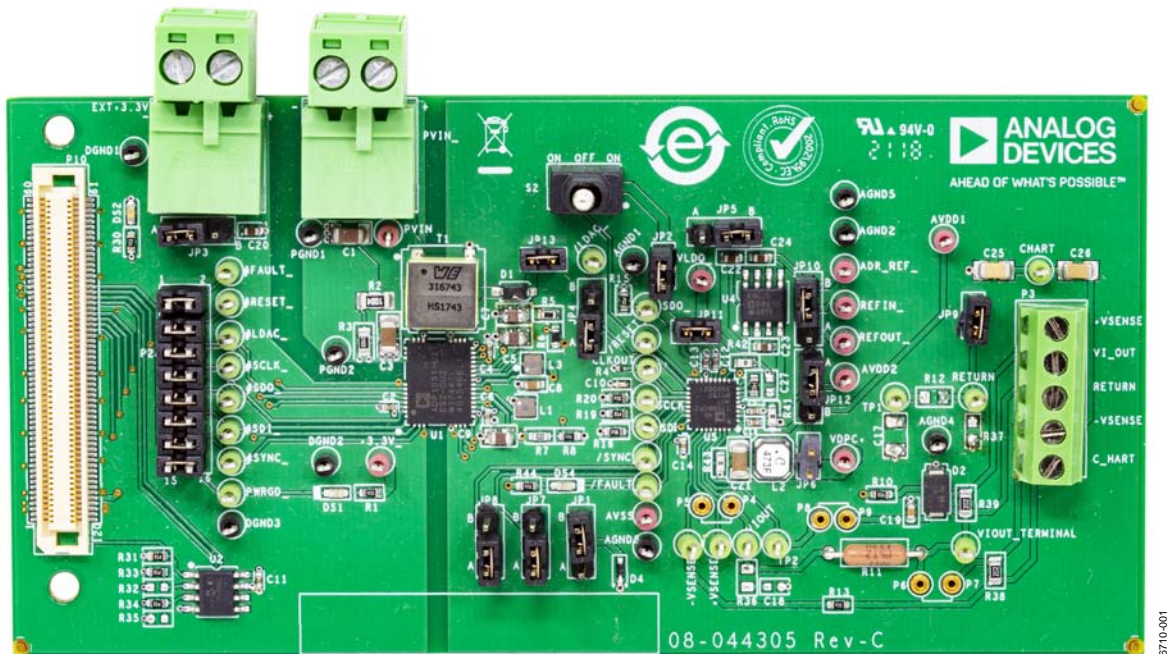


Figure 1. EVAL-AD5758SDZ Evaluation Board

**TABLE OF CONTENTS**

Features .....	1	Initial Setup .....	5
Evaluation Kit Contents.....	1	AD5758 Block Diagram and Functions .....	7
Equipment Needed.....	1	Initial Configuration.....	9
Additional Documents Required .....	1	DC-to-DC Converter Settings.....	9
Software Required .....	1	Setting the DAC Output .....	10
General Description .....	1	Writing to the ADC Configuration Register .....	10
Evaluation Board Photograph.....	1	Updating Diagnostic Results .....	10
Revision History .....	2	Example Configuration Sequences .....	11
Evaluation Board Hardware.....	3	ACE Tool Views.....	13
Power Supplies .....	3	Macro Tool .....	13
Serial Communication.....	3	Register Debugger Tool .....	13
AD5758 Address Pins.....	3	Events Tool .....	13
Evaluation Software Quick Start Procedures.....	5	Evaluation Board Schematics and Artwork.....	14
Installing the Analysis Control  Evaluation (ACE) Software		Ordering Information.....	21
and AD5758 Plug-Ins.....	5	Bill of Materials.....	21

**REVISION HISTORY**

**3/2019—Rev. 0 to Rev. A**

Changes to Feature Section, General Description Section, and Figure 1 .....	1
Changes to Power Supplies Section, Serial Communication Section, and Table 1.....	3
Changes to Table 2.....	4
Changes to Figure 2.....	5
Changes to Figure 7.....	6
Changes to Figure 8 and Table 3.....	7
Changes to Table 4.....	8
Changes to Figure 10.....	9
Changes to Setting the DAC Output Section, Figure 11, Writing to the Configuration Register Section, Figure 12, Figure 13, and Figure 14 .....	10
Changes to Figure 15.....	11

Changes to Figure 16.....	12
Changes to Figure 17 .....	14
Changes to Figure 18.....	15
Changes to Figure 19.....	16
Changes to Figure 20.....	17
Deleted Figure 21 and Figure 22; Renumbered Sequentially ...	18
Added Figure 21; Renumbered Sequentially .....	18
Deleted Figure 23 and Figure 24 .....	19
Added Figure 22, Figure 23, and Figure 24.....	19
Added Figure 25 and Figure 26 .....	20
Changes to Table 5.....	21

**5/2018—Revision 0: Initial Version**

## EVALUATION BOARD HARDWARE

### POWER SUPPLIES

The EVAL-AD5758SDZ evaluation board contains the [ADP1031-1](#) power management unit (PMU), which generates three of four power supply inputs required by the AD5758:  $AV_{DD1}$  (+26.7 V),  $AV_{DD2}$  (+5.15 V), and  $AV_{SS}$  (-15.4 V), device.  $V_{LOGIC}$  is the fourth power supply required by the [AD5758](#). The JP11 link provides the 3.3 V supply to the  $V_{LOGIC}$  input via the  $V_{LDO}$  output of the [AD5758](#). The  $AV_{DD2}$  input can be connected to the  $AV_{DD1}$  input via the JP12 link if the  $V_{OUT2}$  supply from the [ADP1031-1](#) is not in use. See Table 1 for link options and the default link positions.

The EVAL-AD5758SDZ evaluation board operates with a power supply range from -33 V on  $AV_{SS}$  to +33 V on  $AV_{DD1}$ , with a maximum voltage of 60 V between the two rails.  $AV_{DD2}$  requires a voltage between 5 V and 33 V. The  $V_{DPC+}$  pin of the [AD5758](#) can be driven by  $AV_{DD1}$  via the JP6 link. The JP6 link bypasses the dc-to-dc circuitry.

### SERIAL COMMUNICATION

The [SDP-S](#) system demonstration platform handles communication to the EVAL-AD5758SDZ via the PC. By default, the [SDP-S](#) board handles the serial port interface (SPI) communication, controls the  $\overline{RESET}$  and  $\overline{LDAC}$  pins, and monitors the  $\overline{FAULT}$  pin of the [AD5758](#).

The EVAL-AD5758SDZ evaluation board can disconnect from the [SDP-S](#) board and drive the digital signals from an external source by removing the appropriate links on the P10 link. The option to tie the  $\overline{RESET}$  and  $\overline{LDAC}$  pins to high or low levels can be accessed through the S2 and JP4 links.

### AD5758 ADDRESS PINS

The [AD5758](#) address pins, AD0 and AD1, are used in conjunction with the address bits within the SPI frame to determine which [AD5758](#) device is being addressed by the system controller. The AD0 and AD1 pins can be configured through the JP7 and JP8 links.

Table 1. EVAL-AD5758SDZ Link Option Functions

Link	Default Link Position	Function
JP1	B	Position A selects the $AV_{SS}$ pin to GND for the unipolar supply option (current output only). Position B selects the $V_{OUT3}$ pin of the <a href="#">ADP1031-1</a> .
JP2	Inserted	Connects the $V_{LOGIC}$ pin of the <a href="#">AD5758</a> to the $SVDD1$ pin of the <a href="#">ADP1031-1</a> .
JP3	A	Position A selects the 3.3 V output from the <a href="#">SDP-S</a> to the $MVDD$ pin of the <a href="#">ADP1031-1</a> . Position B selects the 3.3 V input via the EXT+3.3V_ header to the $MVDD$ pin of the <a href="#">ADP1031-1</a> .
JP4	A	Position A connects the $\overline{LDAC}$ pin to GND. Position B connects the $\overline{LDAC}$ pin to the $V_{LOGIC}$ pin.
JP5	A	Position A selects $V_{OUT2}$ of the <a href="#">ADP1031-1</a> as the input voltage to the <a href="#">ADR4525</a> . Position B selects the $V_{LDO}$ pin as the input voltage to the <a href="#">ADR4525</a> .
JP6	Not inserted	Shorts the $V_{DPC+}$ pin to the $AV_{DD1}$ pin, bypassing the positive dc-to-dc circuitry.
JP7	A	Position A connects the AD0 pin to GND. Position B connects the AD0 pin to the $V_{LOGIC}$ pin.
JP8	A	Position A connects the AD1 pin to GND. Position B connects the AD1 pin to the $V_{LOGIC}$ pin.
JP9	Inserted	Connects the return signal to GND.
JP10	B	Position A selects the $\overline{REFOUT}$ pin of the <a href="#">AD5758</a> as the input to the $\overline{REFIN}$ pin of the <a href="#">AD5758</a> . Position B selects the <a href="#">ADR4525</a> output as the input to the $\overline{REFIN}$ pin.
JP11	Inserted	Selects 3.3 V output of the $V_{LDO}$ pin to the $V_{LOGIC}$ pin.
JP12	A	Position A selects $V_{OUT2}$ of the <a href="#">ADP1031-1</a> as the input voltage to the $AV_{DD2}$ pin. Position B selects the $AV_{DD1}$ pin as the input voltage to the $AV_{DD2}$ pin.
JP13	Inserted	Connects $V_{OUT1}$ of the <a href="#">ADP1031-1</a> to the $AV_{DD1}$ pin.
P10	Inserted	Provides options to disconnect from the <a href="#">SDP-S</a> board and to drive digital signals from an external source. See Table 2 for the specific link options.
S2	Left Middle (default) Right	In the left position, this link connects the $\overline{RESET}$ pin to the $V_{LOGIC}$ pin. In the middle position (default), this link controls the $\overline{RESET}$ pin via the <a href="#">SDP-S</a> board. In the right position, this link connects the $\overline{RESET}$ pin to GND.

Table 2. Link Options for the P2\_ Header

Pin No.	Position	Function
1, 2	Inserted	Connects the $\overline{\text{FAULT}}$ signal from the SDP-S to the MGP03 pin on the ADP1031-1.
	Not inserted	Disconnects the $\overline{\text{FAULT}}$ signal from the SDP-S to the MGP03 pin on the ADP1031-1.
3, 4	Inserted	Connects the $\overline{\text{RESET}}$ signal from the SDP-S to the MGPI2 pin on the ADP1031-1.
	Not inserted	Disconnects the $\overline{\text{RESET}}$ signal from the SDP-S to the MGPI2 pin on the ADP1031-1.
5, 6	Inserted	Connects the $\overline{\text{LDAC}}$ signal from the SDP-S to the MGPI1 pin on the ADP1031-1.
	Not inserted	Disconnects the $\overline{\text{LDAC}}$ signal from the SDP-S to the MGPI1 pin on the ADP1031-1.
7, 8	Inserted	Connects the SCLK signal from the SDP-S to the MCK pin on the ADP1031-1.
	Not inserted	Disconnects the SCLK signal from the SDP-S to the MCK pin on the ADP1031-1.
9, 10	Inserted	Connects the SDO signal from the SDP-S to the MI pin on the ADP1031-1.
	Not inserted	Disconnects the SDO signal from the SDP-S to the MI pin on the ADP1031-1.
11, 12	Inserted	Connects the SDI signal from the SDP-S to the MO pin on the ADP1031-1.
	Not inserted	Disconnects the SDI signal from the SDP-S to the MO pin on the ADP1031-1.
13, 14	Inserted	Connects the $\overline{\text{SYNC}}$ signal from the SDP-S to the $\overline{\text{MSS}}$ pin on the ADP1031-1.
	Not inserted	Disconnects the $\overline{\text{SYNC}}$ signal from the SDP-S to the $\overline{\text{MSS}}$ pin on the ADP1031-1.
15, 16	Inserted	Connects the PWRGD signal from the SDP-S to the PWRGD pin on the ADP1031-1.
	Not inserted	Disconnects the PWRGD signal from the SDP-S to the PWRGD pin on the ADP1031-1.

# EVALUATION SOFTWARE QUICK START PROCEDURES

## INSTALLING THE ANALYSIS|CONTROL| EVALUATION (ACE) SOFTWARE AND AD5758 PLUG-INS

The EVAL-AD5758SDZ software uses the Analog Devices, Inc., ACE software. For instructions the use of the ACE software, see the [www.analog.com/ACE](http://www.analog.com/ACE) product page.

When the installation completes, the EVAL-AD5758SDZ evaluation board plug-in appears when the ACE software opens (see Figure 2).

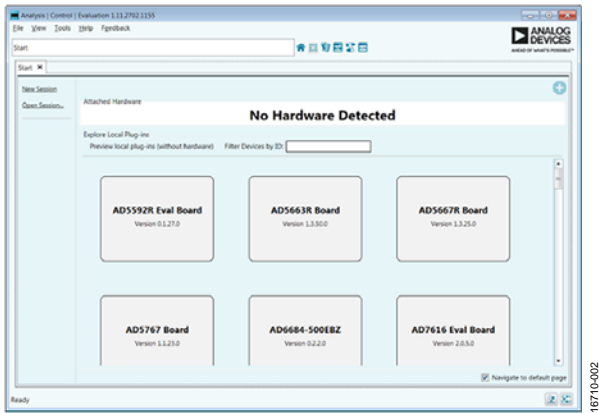


Figure 2. EVAL-AD5758SDZ Evaluation Board Plug-In Window after Opening the ACE Software

### INITIAL SETUP

To set up the EVAL-AD5758SDZ, take the following steps:

1. Connect a USB cable to the PC and then to the SDP-S board.
2. Connect the SDP-S board to the EVAL-AD5758SDZ. The PC recognizes the EVAL-AD5758SDZ.
3. Power up the EVAL-AD5758SDZ with the relevant power supplies.
4. If not opened already, open the ACE software. The EVAL-AD5758SDZ appears in the Attached Hardware pane.

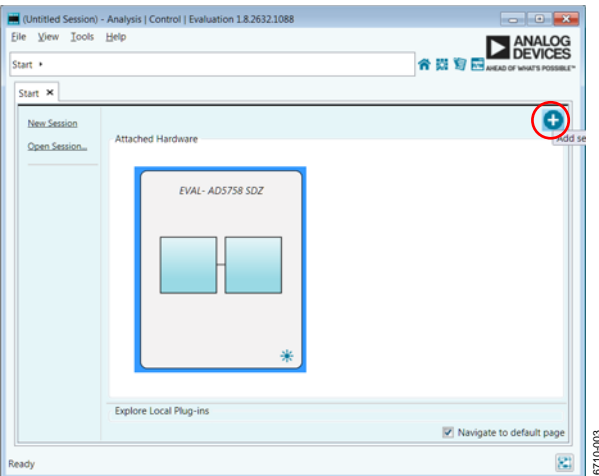


Figure 3. EVAL-AD5758SDZ Plug-In Not Installed

5. When setting up the evaluation board for the first time, the EVAL-AD5758SDZ plug-in may need to be installed. If the plug-in appears as shown in Figure 6, go to Step 7. If the plug-in appears as shown in Figure 3, click the button that is circled in red in Figure 3. After clicking this button, the pop-up window shown in Figure 4 appears. Click Yes.

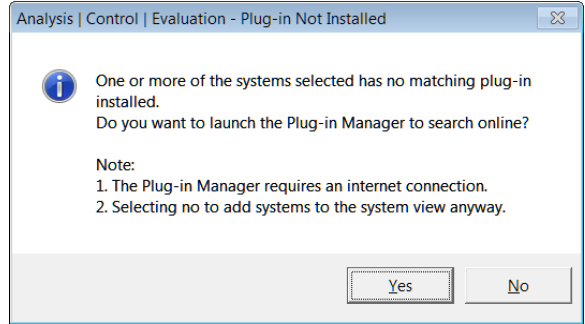


Figure 4. Installing Plug-In Pop-Up Window

6. A new window appears, as shown in Figure 5. Navigate to the Board.AD5758 plug-in and click Install Selected. The EVAL-AD5758SDZ plug-in installs and is displays, as shown in Figure 6.

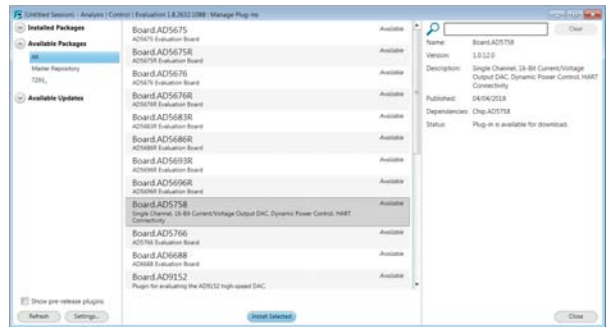


Figure 5. Plug-In Manager Window

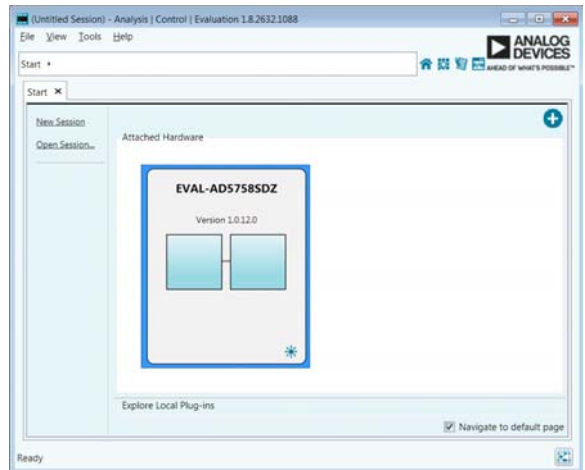


Figure 6. Attached Hardware Pane with EVAL-AD5758SDZ Connection

7. Double-click **EVAL-AD5758SDZ** to open the **AD5758** block diagram (see Figure 7). The **INITIAL CONFIGURATION** pane appears on the left side of the window. Several register settings can be configured in this pane and are written to the device in the appropriate order. The **DIG\_DIAG\_STATUS**, **RESET\_OCCURED**, and **CAL\_MEM\_UNREFRESHED** LED indicators in the window are illuminated red by default.

Writing the initial configuration values clears these error flags. If the device is power cycled, or if the USB cable is disconnected and reconnected while the **ACE** software is open, contact with the **EVAL-AD5758SDZ** can be lost. If contact is lost, click the **System** tab, click the USB symbol on the **EVAL-AD5758SDZ**, and then click **Acquire** to communicate with the **EVAL-AD5758SDZ**.

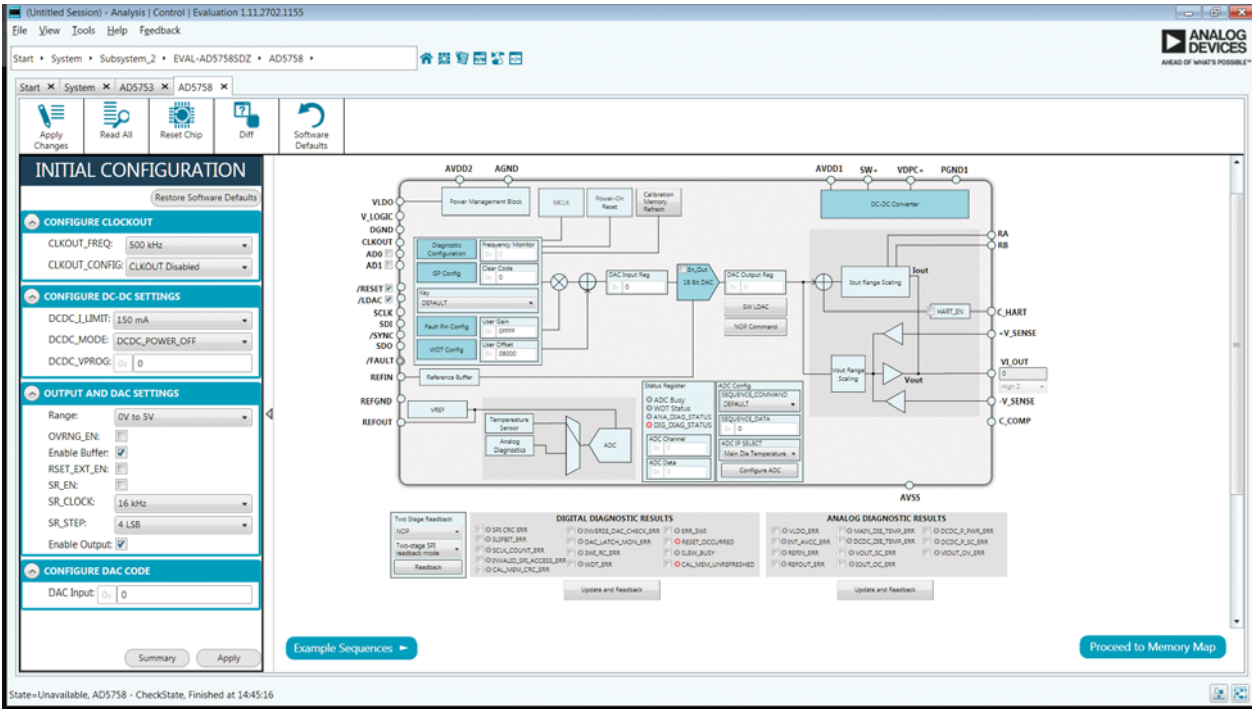


Figure 7. AD5758 Block Diagram in the ACE Software



Label	Function Description
Q	The <b>Two Stage Readback</b> pane initiates two-stage readback through the two-stage readback select register. Click <b>Readback</b> to initiate a write to the two-stage readback select register and issue a NOP command.
R	In the <b>DIGITAL DIAGNOSTIC RESULTS</b> pane, click <b>Update and Readback Digital Diagnostic Result</b> button to trigger a write 1 to clear operation and initiate a readback from the digital diagnostic result register.
S	In the <b>ANALOG DIAGNOSTIC RESULTS</b> pane, click <b>Update and Readback Analog Diagnostic Result</b> button to trigger a write 1 to clear operation and initiate a readback from the analog diagnostic result register.
T	If the <b>HART_EN</b> box is checked, the HART_EN bit = 1 in the General-Purpose Configuration 1 register.
U	Click <b>Proceed to Memory Map</b> to open the <a href="#">AD5758</a> memory map (see Figure 9).
V	Click <b>Example Sequences</b> to open the example sequences window (see Figure 15).

**Table 4. Register Controls Accessible via the GUI (See Label Lx in Table 3 and in Figure 8)**

Label	Function Description
L1	The <b>Diagnostic Configuration</b> button activates the associated pop-up menu.
L2	When the <b>GP Config</b> button clicked, a pop-up menu appears.
L3	When the <b>Key</b> register menu is clicked, a dropdown list appears.
L4	When the <b>Fault Pin Config</b> button is clicked, a pop-up menu appears.
L5	When the <b>WDT Config</b> button is clicked, a pop-up menu appears.
L6	The <b>Frequency Monitor</b> text field displays the value in the frequency monitor when read.
L7	The <b>Clear Code</b> text field inserts a clear code value in hexadecimal format.
L8	The <b>User Gain</b> text field inserts a user gain value in hexadecimal format.
L9	The <b>User Offset</b> text field inserts a user offset value in hexadecimal format.
L10	The <b>DAC Input Reg</b> text field inserts the DAC value in hexadecimal format.
L11	The <b>16 Bit DAC</b> block opens a pop-up menu when clicked.
L12	The <b>DAC Output Reg</b> control displays the hexadecimal value currently set in the DAC output register.
L13	The <b>DC-DC Converter</b> block opens the dc-to-dc configuration pop-up menu.
L14	The <b>Status Register</b> pane displays the contents of the status register including any ADC conversion result.
L15	The <b>ADC Config</b> pane contains a combination of dropdown menus and a text field to enter the ADC input data.



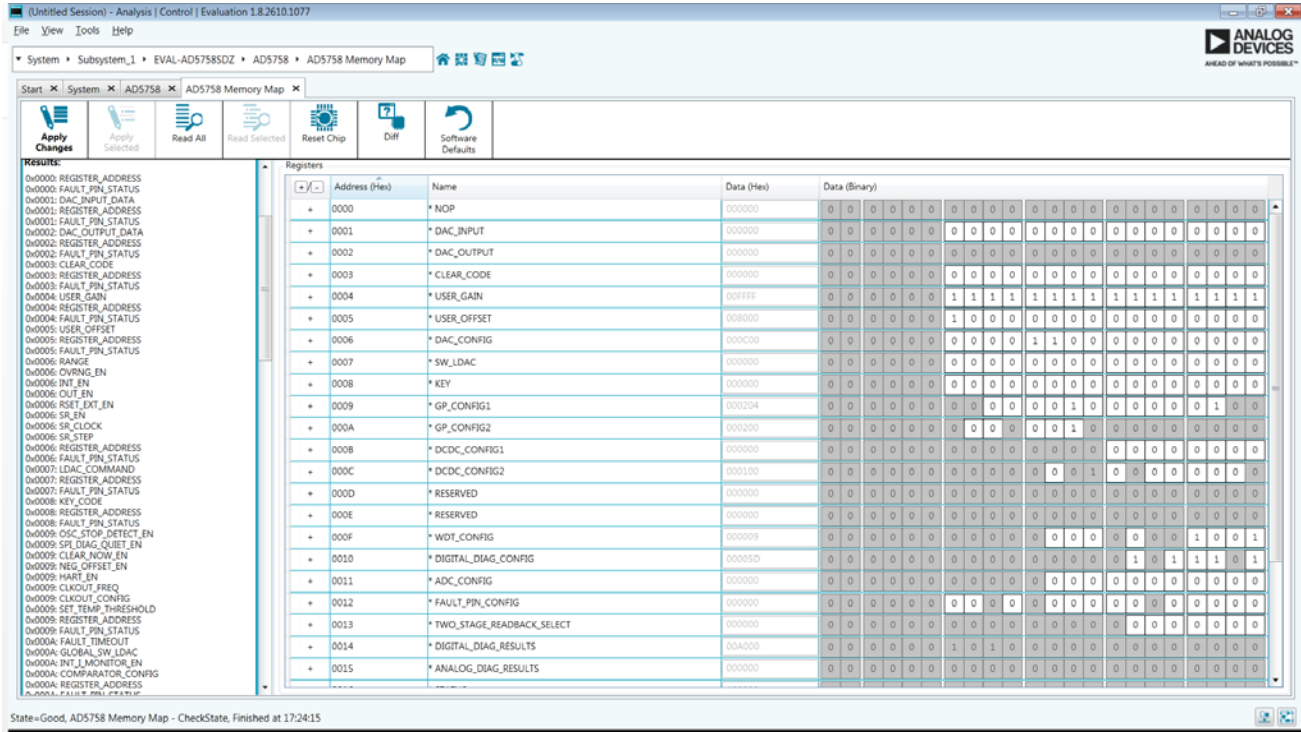


Figure 9. AD5758 Memory Map in the ACE Software

**INITIAL CONFIGURATION**

An initial configuration wizard is available when opening the AD5758 plug-in. The initial configuration wizard allows quick configuration of the AD5758 and provides configuration of the clock output in the general-purpose configuration register, the dc-to-dc settings, DAC configuration, and the DAC input register. Clicking the **Apply** button initiates the configured settings in the order of the recommended power-up sequence described in the AD5758 data sheet.

**DC-TO-DC CONVERTER SETTINGS**

If the  $V_{DP+}$  pin is not tied directly to  $AV_{DD1}$ , enable the dc-to-dc converter for proper operation. This step must be completed before configuring the DAC output. The **DC-DC Configuration** pop-up menu, as shown in Figure 10, contains the dc-to-dc settings required to configure the AD5758 output properly. After the desired settings are selected, click the **Close** button and then click **Apply Changes**.

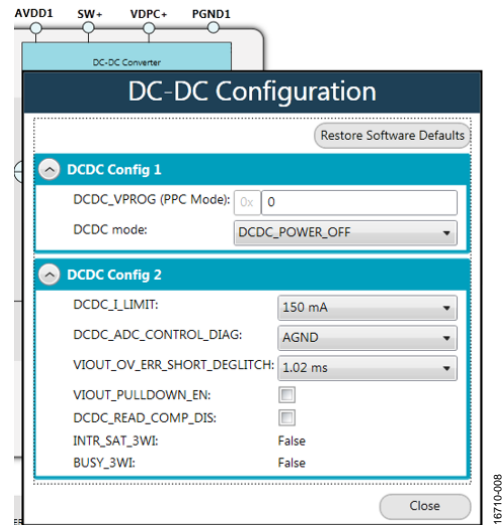


Figure 10. DC-DC Configuration Pop-Up Menu

### SETTING THE DAC OUTPUT

To configure the DAC output, use the **DAC Config Register** pop-up menu (see Figure 11). Click the **16 Bit DAC** block in the block diagram to display the DAC configuration register. Select the appropriate settings, and then click **Apply Changes**. It is recommended to disable the output until the correct value in the DAC input register is written to the device.

To change the DAC voltage or current output level, write the appropriate hexadecimal code to the DAC input register, and then click **Apply Changes**. Click **SW LDAC** to issue a software LDAC command, or pull the LDAC pin low to update the DAC output register with the values in the DAC input register. Enable the DAC output by checking the **OUT\_EN (Enable VI\_OUT)** checkbox, and then click **Apply Changes**. The programmed voltage or current is then reflected at the VI\_OUT pin.

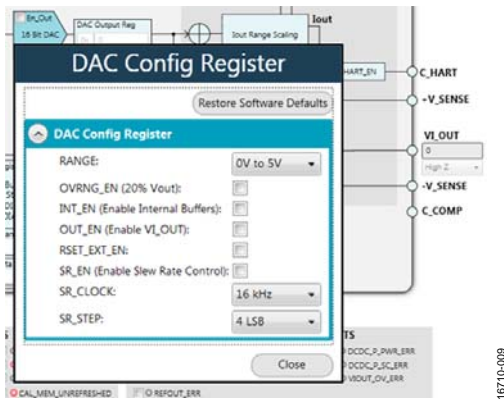


Figure 11. AD5758 DAC Config Register Pop-Up Menu

### WRITING TO THE ADC CONFIGURATION REGISTER

The procedure to set up and configure the ADC input node is discussed in the AD5758 data sheet. For this reason, writing to the ADC configuration register through the **Apply Changes** function is disabled.

The dropdown list in the **SEQUENCE\_COMMAND** pane contains only an initiate single conversion command. The hexadecimal text field in the **SEQUENCE\_DATA** pane is unused and remains at 0. The dropdown list in the **ADC\_IP\_SELECT** pane is used to select the desired input node for the ADC to convert. Click **Configure ADC** to initiate a write to the ADC configuration register. A register read must be performed to see the ADC result in the status register.

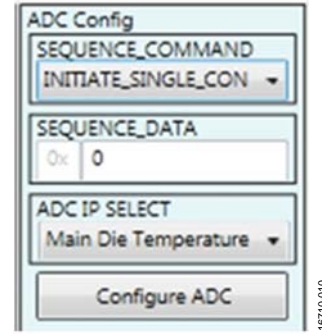


Figure 12. AD5758 ADC Configuration Register

### UPDATING DIAGNOSTIC RESULTS

The AD5758 has a digital diagnostic results register and an analog diagnostic results register, which contain error flags for the on-chip digital and analog diagnostic features. Writing 1 to the respective error flags updates the error flag status.

To update the digital and analog diagnostic result registers, click **Update and Readback**. This button initiates the writing of a 1 to the selected error flag and then reads back the updated diagnostic result. Figure 13 shows the digital diagnostic results register. Figure 14 shows the analog diagnostic results register.

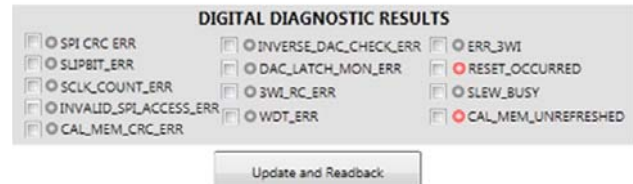


Figure 13. AD5758 Digital Diagnostic Register

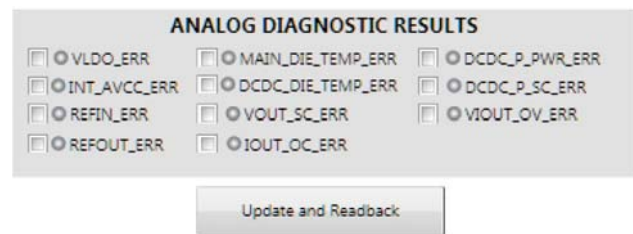


Figure 14. AD5758 Analog Diagnostic Register

**EXAMPLE CONFIGURATION SEQUENCES**

Several example configuration sequences are available. Click **Example Sequences**, and the window shown in Figure 15 appears. To enable any of the sequences, click the relevant sequence button, as shown in Figure 16. The sequence runs immediately and the output changes accordingly. To return to the main window, click **Back to AD5758**.

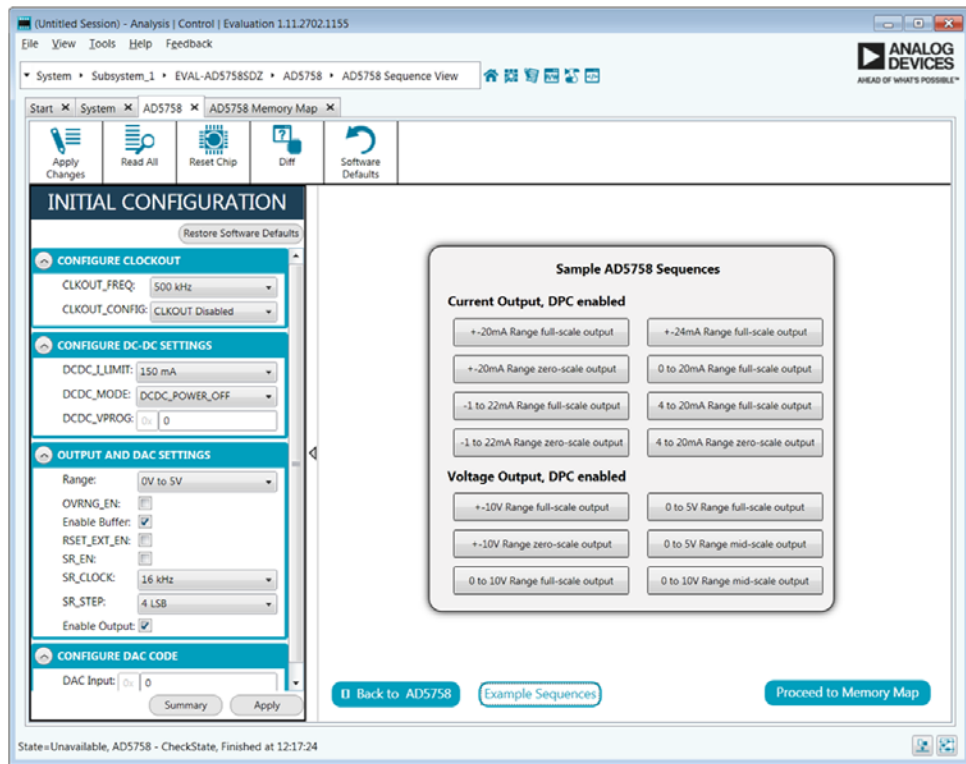


Figure 15. Example Sequences Window

18710-114

**Sample AD5758 Sequences**

**Current Output, DPC enabled**

+ -20mA Range full-scale output	+ -24mA Range full-scale output
+ -20mA Range zero-scale output	0 to 20mA Range full-scale output
-1 to 22mA Range full-scale output	4 to 20mA Range full-scale output
-1 to 22mA Range zero-scale output	4 to 20mA Range zero-scale output

**Voltage Output, DPC enabled**

+ -10V Range full-scale output	0 to 5V Range full-scale output
+ -10V Range zero-scale output	0 to 5V Range mid-scale output
0 to 10V Range full-scale output	0 to 10V Range mid-scale output

16710-115

Figure 16. Selecting an Example Sequence

## ACE TOOL VIEWS

The [ACE](#) software provides additional functionality to the main view described in this user guide. Open these views from the **View** menu on the application toolbar. The [ACE](#) software features a macro tool, a register debugger tool, and an events tool.

### MACRO TOOL

The macro tool records and saves commands as an [ACE](#) macro file. This feature is useful when sharing macros with other users to perform the same task multiple times. The user can import and run an [ACE](#) macro file.

### REGISTER DEBUGGER TOOL

Use the register debugger tool to perform raw writes to and reads from the device. The register debugger affects only the hardware and does not write to the memory map of the [ACE](#) software.

### EVENTS TOOL

The events tool view contains a list of errors, warnings, and information messages generated within the application software.

EVALUATION BOARD SCHEMATICS AND ARTWORK

16710-013

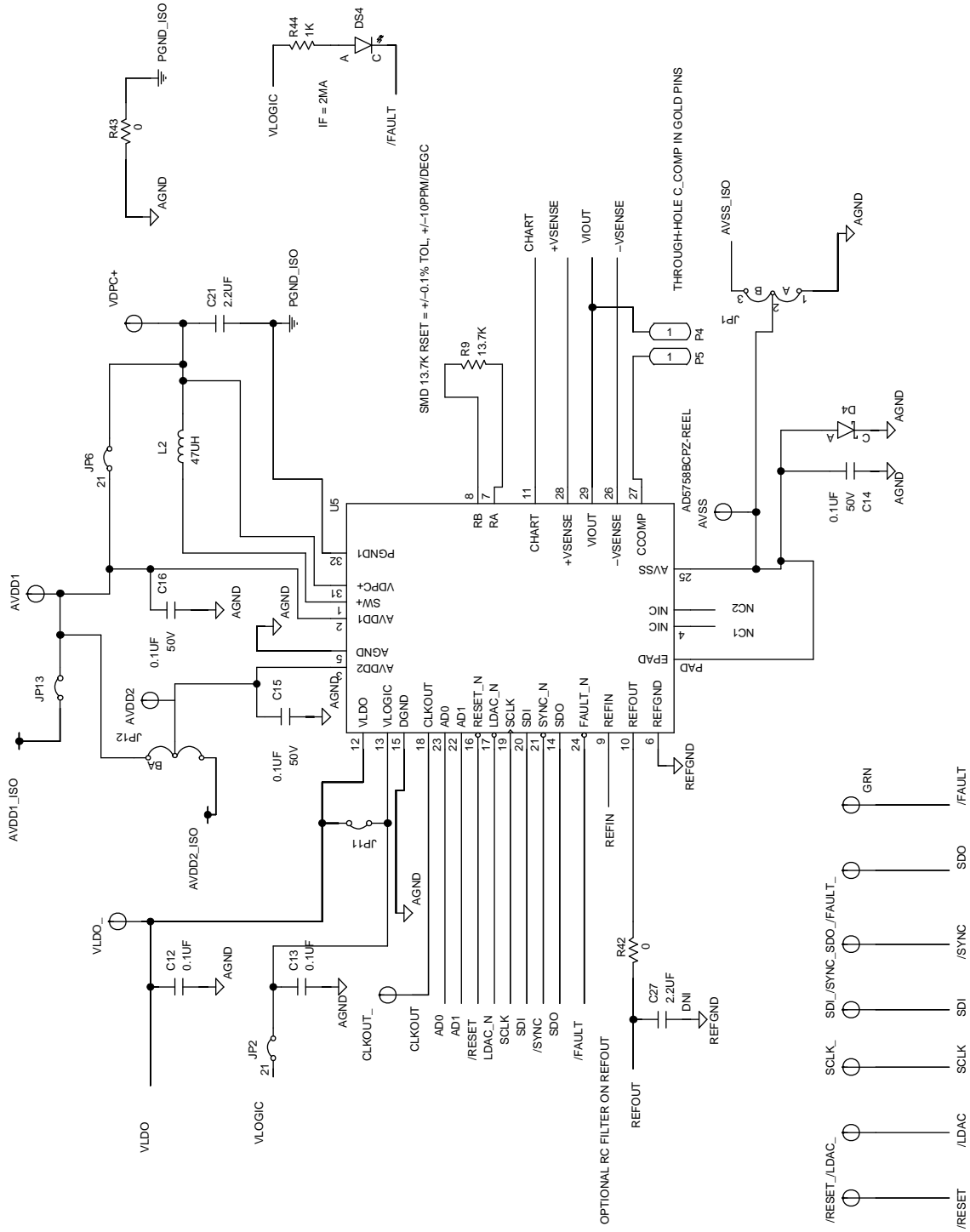


Figure 17. AD5758 Schematic

16710-014

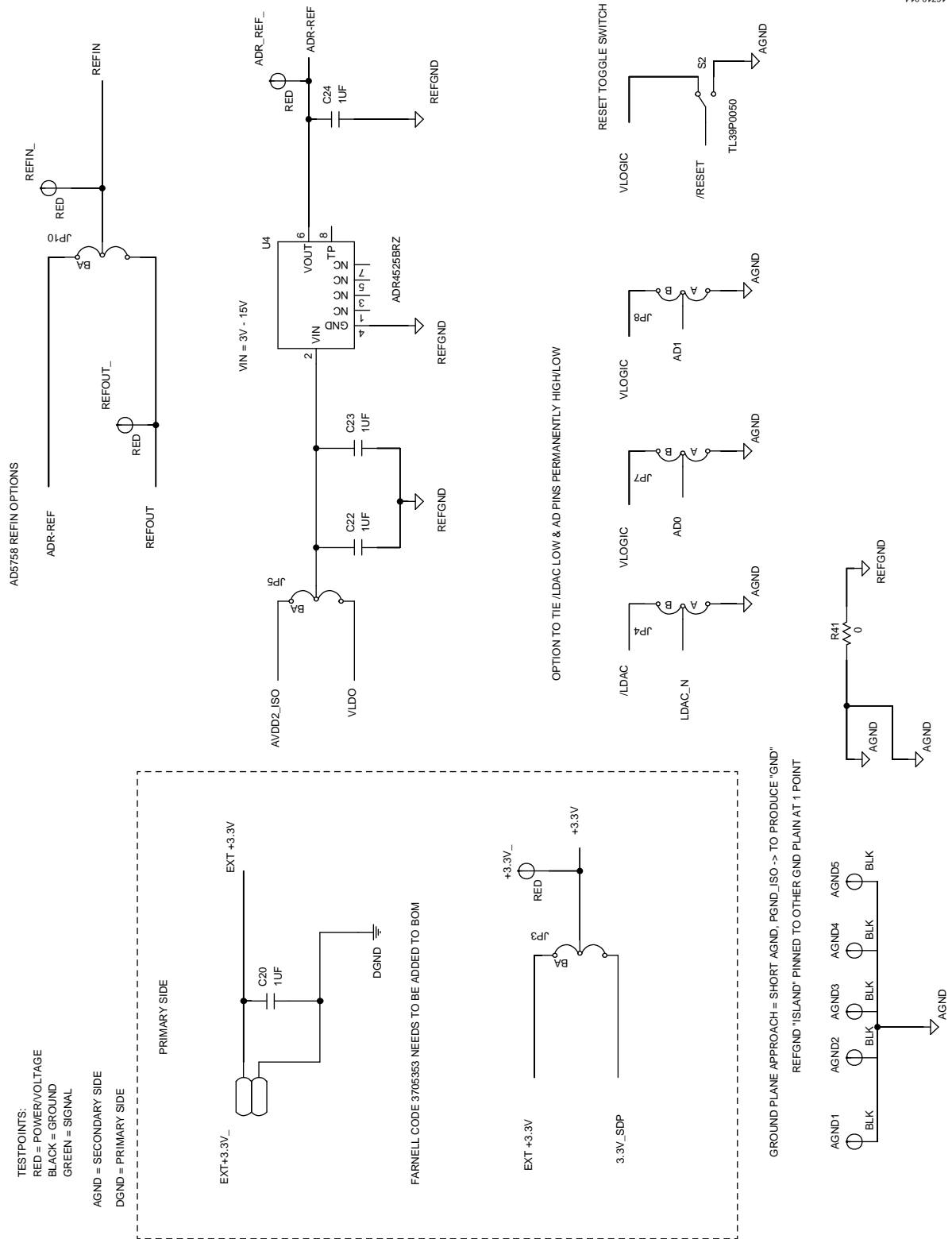


Figure 18. AD5758 Supplies and Reference Options Schematic

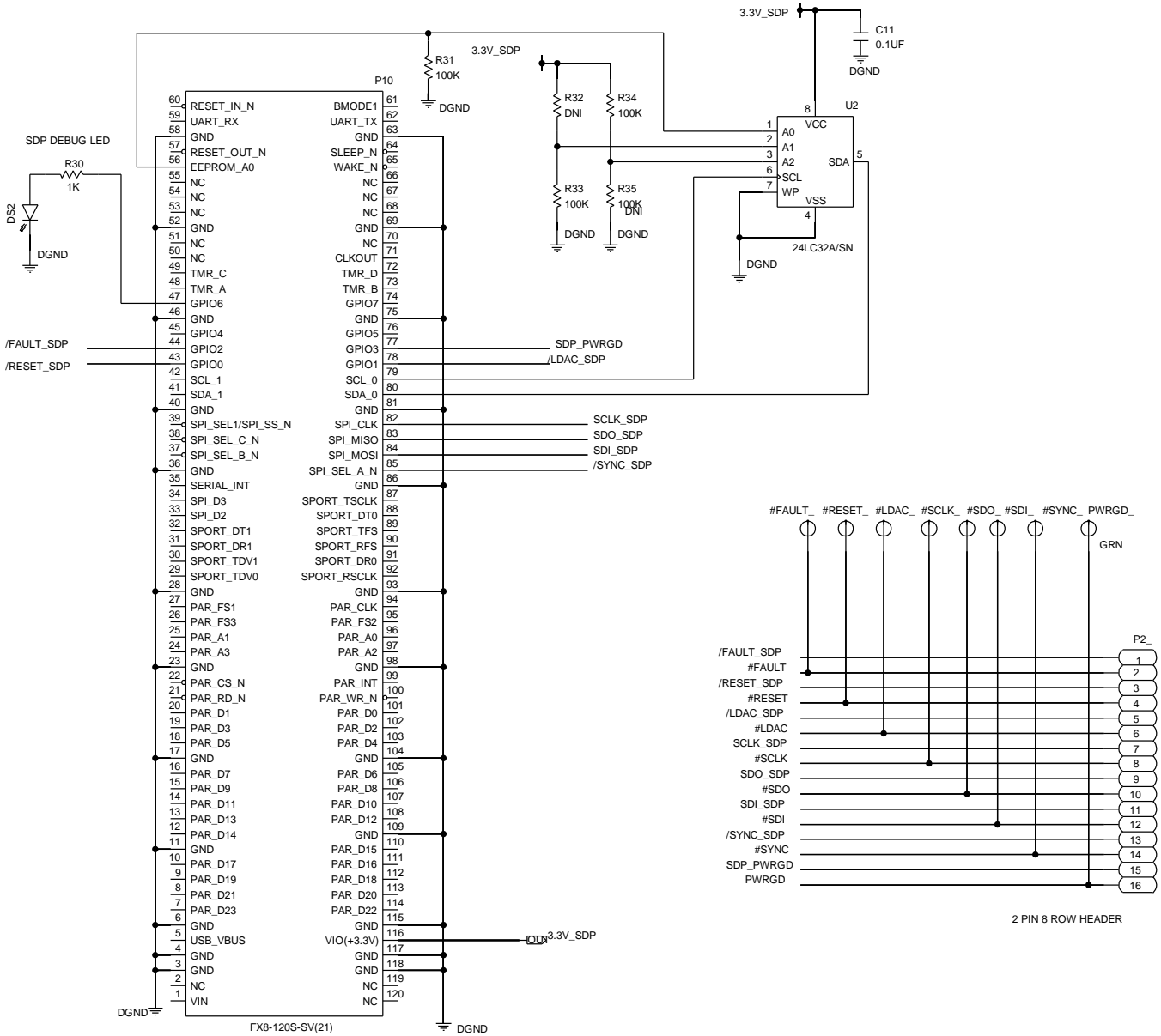


Figure 19. SDP-S Board Connections, Address Pins, and LDAC and RESET Pins Schematic

16710-015



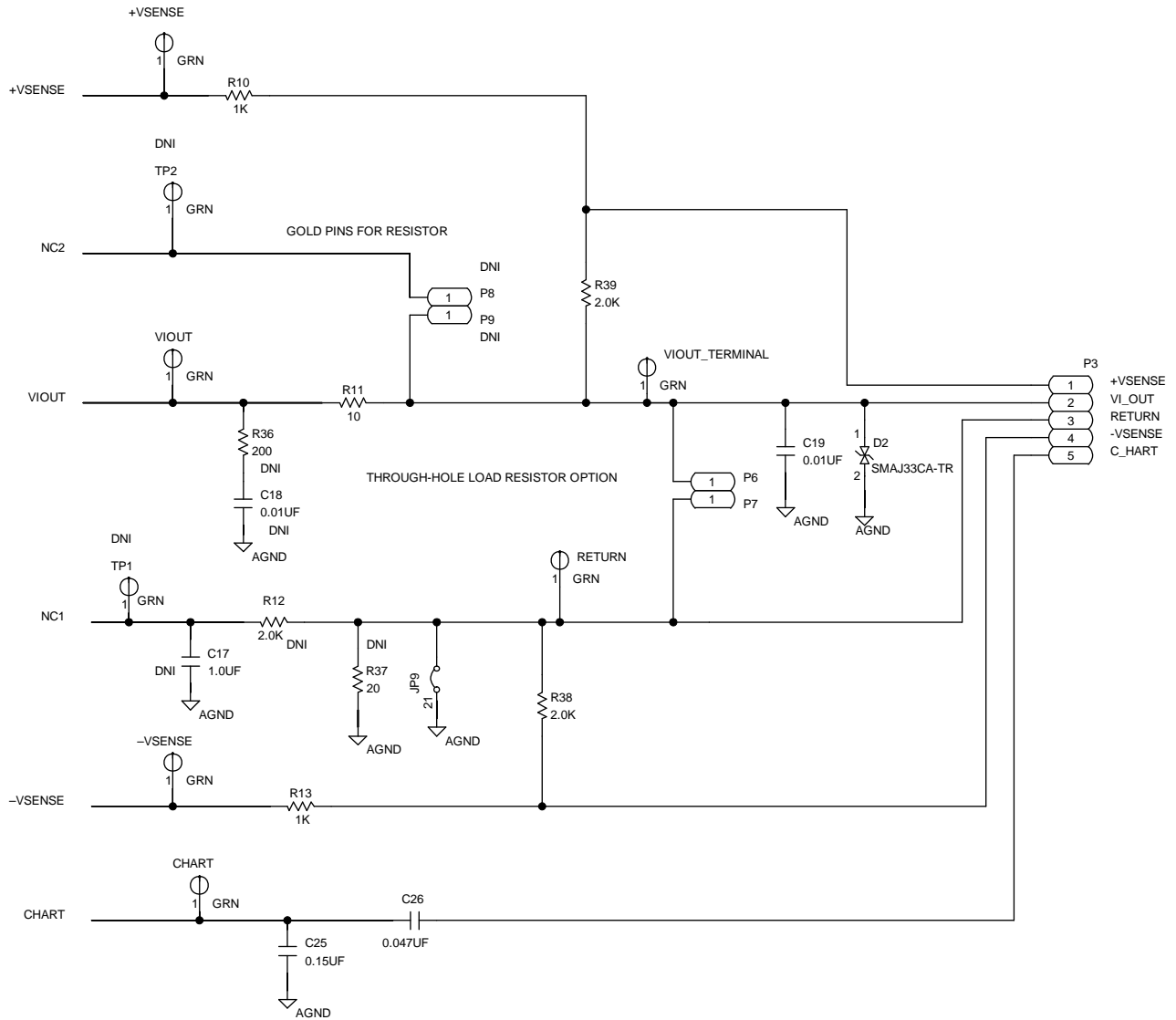


Figure 20. AD5758 Output Stage Schematic

16710-016

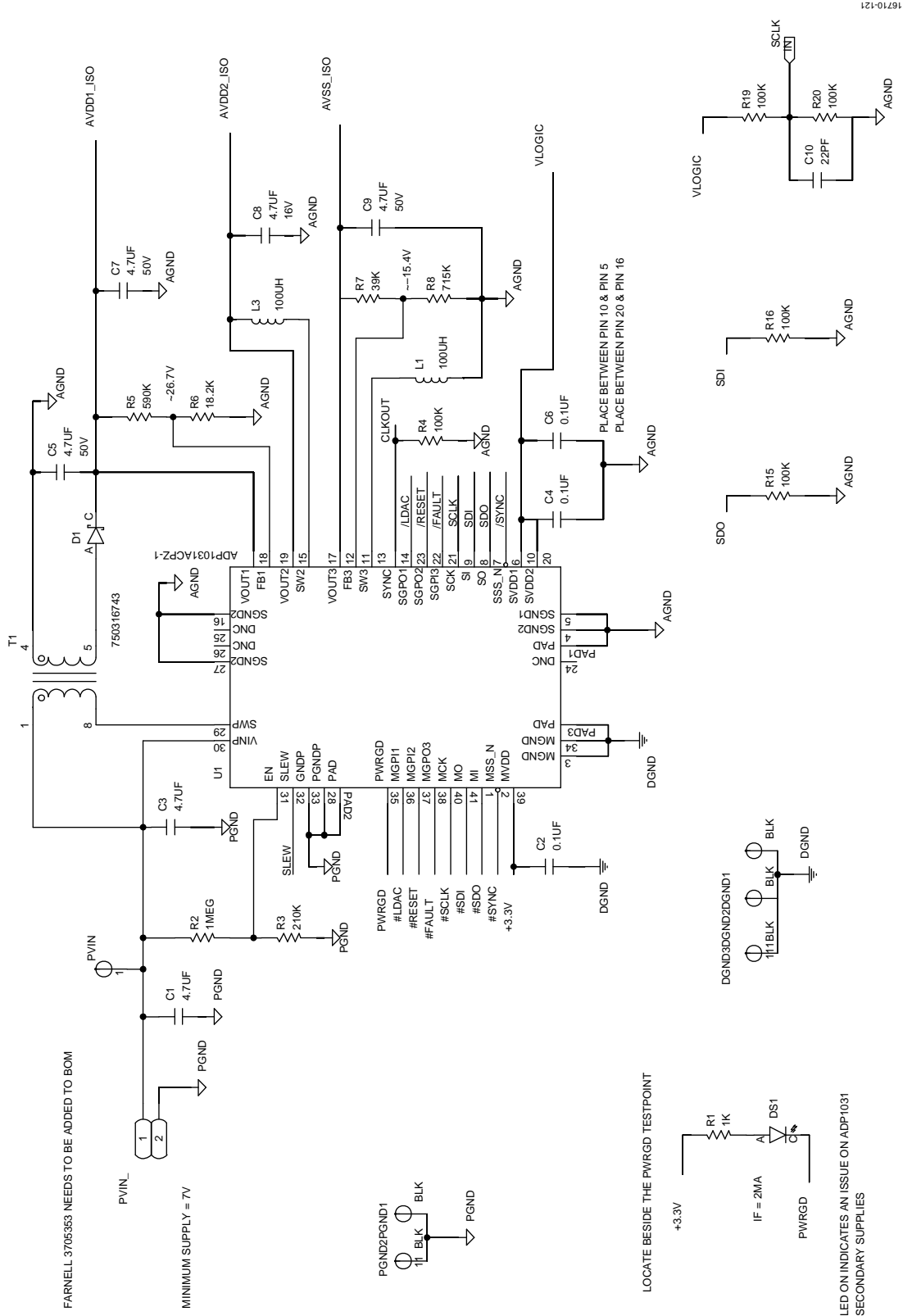


Figure 21. ADP1031-1 PMU Schematic

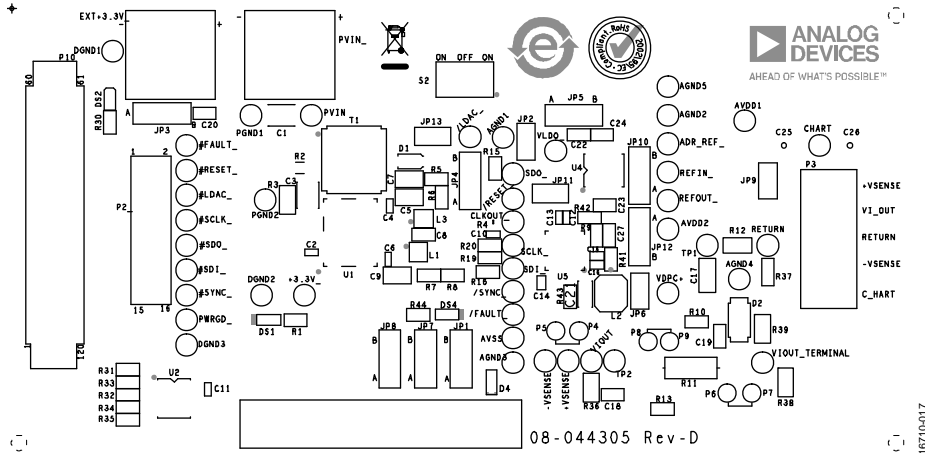


Figure 22. EVAL-AD5758, Silkscreen

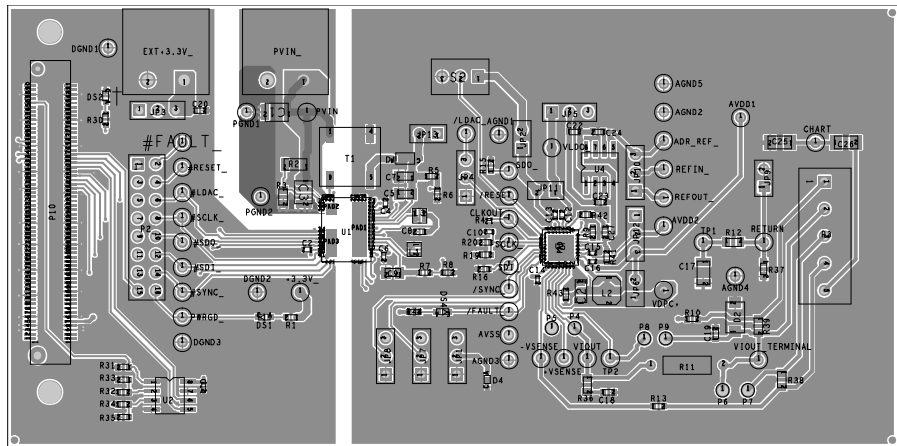


Figure 23. EVAL-AD5758, Primary Layer

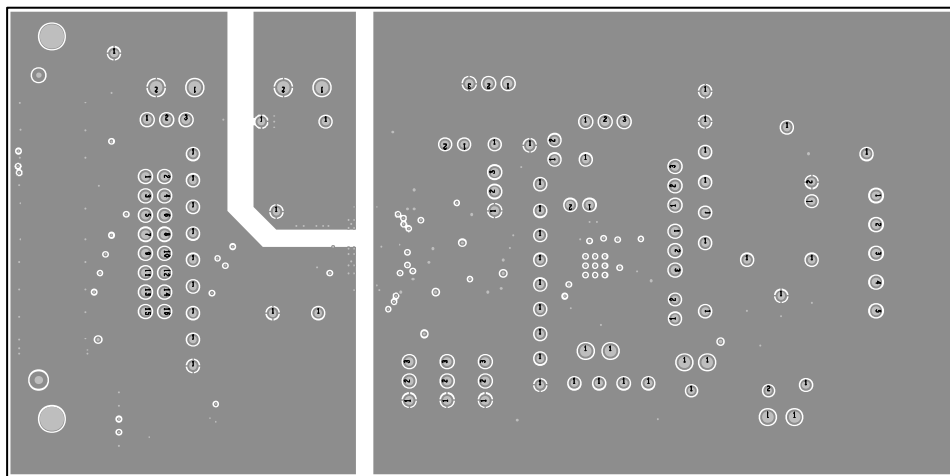


Figure 24. EVAL-AD5758 Ground Planes, Layer 2

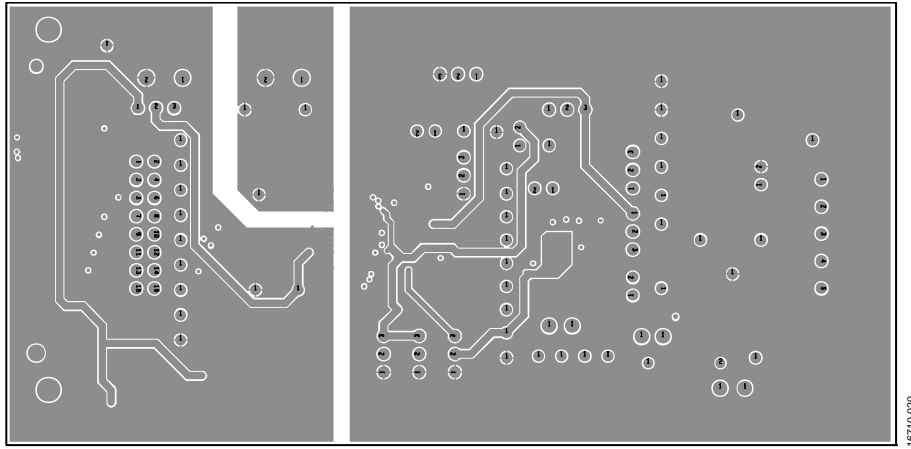


Figure 25. EVAL-AD5758 Ground and Power Plane, Layer 3

16710-020

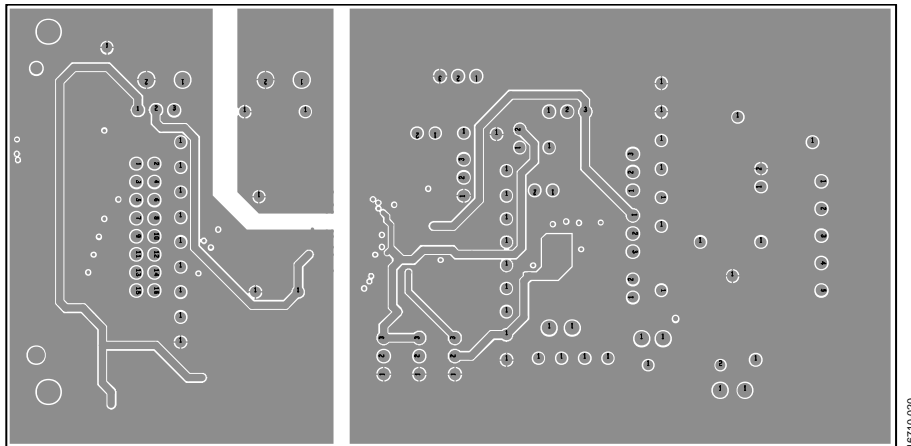


Figure 26. EVAL-AD5758, Layer 4 (Secondary)

16710-020

# ORDERING INFORMATION

## BILL OF MATERIALS

Table 5. Bill of Materials

Reference Designator	Description	Manufacturer	Part Number
#FAULT_, #LDAC_, #RESET_, #SCLK_, #SDI_, #SDO_, #SYNC_, +VSENSE, VSENSE, /FAULT_, /LDAC_, /RESET_, /SYNC_, CHART, CLKOUT_, PWRGD_, RETURN, SCLK_, SDI_, SDO_, VIOUT, VIOUT_TERMINAL	Test point, green	Vero Technologies	20-313138
+3.3V_, ADR_REF_, AVDD1, AVDD2, AVSS, PVIN, REFIN_, REFOUT_, VDPC+, VLDO_	Test point, red	Vero Technologies	20-313137
AGND1, AGND2, AGND3, AGND4, AGND5, DGND1, DGND2, DGND3, PGND1, PGND2	Test point, black	Vero Technologies	20-2137
C1, C3	Multilayer ceramic capacitor (MLCC), X7S	TDK	CGA6M3X7S2A475K200AB
C10	Capacitor, ceramic, NP0	Yageo	CC0402JRNPO9BN220
C2, C4, C6, C11, C12, C13	Capacitor, ceramic, X5R	Taiyo Yuden	LMK105BJ104KV-F
C14, C15, C16	Capacitor, ceramic, X7R	TDK	CGA2B3X7R1H104K050BB
C19	Capacitor, ceramic, X7R	Yageo	CC0603KRX7R9BB103
C20, C22, C23, C24	Capacitor, ceramic, X7R	AVX	0603YC105KAT2A
C21	Capacitor, ceramic, 2.2 µF, 50 V, 10% X7R, 1206	Murata	GCM31CR71H225KA55K
C25	Capacitor, ceramic, X7R, 1206	AVX	12065C154KAT2A
C26	Capacitor, ceramic, X7R, 1206	AVX	12065C473JAT2A
C5, C7, C9	Capacitor, ceramic, X7R, general-purpose	Murata	GRM21BZ71H475KE15L
C8	Capacitor, ceramic, X6S, general-purpose	Murata	GRM188C81C475KE11D
D1	Diode, Schottky, rectifier, SMD	Diodes Incorporated	BAT46W-7-F
D2	Diode, TVS, bidirectional	STMicroelectronics	SMAJ33CA-TR
D4	Diode, Schottky, small signal	STMicroelectronics	BAT54KFILM
DS1, DS4	LED, SMD, 0603, red	Vishay	TLMS1000-GS08
DS2	LED, SMD, 0603, green	Lumex	SML-LX0603GW-TR
EXT+3.3V_, PVIN_	Connector, printed circuit board (PCB), two position terminal block header, single-row, 5.08 mm pitch	Phoenix Contact	1757242
JP1, JP3, JP4, JP5, JP7, JP8, JP10, JP12	Connector, PCB, three position, male, header, unshrouded, single-row, 2.54 mm pitch	Harwin	M20-9990345
JP2, JP6, JP9, JP11, JP13	Connector, PCB, BERG, male, two position, single-row, M000385	Amphenol	69157-102
L1, L3	Inductor, shielded power, 12.25 Ω dc resistance, 0.135 A	Coilcraft Inc.	XFL2006-104MEB
L2	Inductor, shielded power	Coilcraft Inc.	LPS4018-473MRB
P10	Vertical type receptacle for SDP breakout board	Hirose	FX8-1205-SV(21)
P2_	Connector, PCB, header, square post, straight, dual-row	Samtec	TSW-108-14-T-D
P3	Terminal block, five position, green	Phoenix Contact	1727049
P4, P5, P6, P7	Connector, PCB, pin socket	Vero Technologies	66-3472
R1, R10, R13, R30, R44	Resistor, thick film, chip	Multicomp	MC0063W060311K
R11	Resistor, metal film, industrial precision	Vishay	CMF5510R000FHCB
R15, R16, R20, R31, R33, R34	Resistor, thick film, chip	Multicomp	MC0063W06031100K
R2	Resistor, precision, thick film, chip, R1206	Panasonic	ERJ-8ENF1004V
R3	Resistor, precision, thick film, chip	Panasonic	ERJ-6ENF2103V
R38,R39	Resistor, thin film, chip, high reliability	Panasonic	ERA-6AEB202V
R4	Resistor, precision, thick film, chip	Panasonic	ERJ-1GNF1003C
R41, R42, R43	Resistor, chip, SMD	Vishay	CRCW06030000Z0EA

Reference Designator	Description	Manufacturer	Part Number
R5	Resistor, precision, thick film, 0603	Panasonic	ERJ-3EKF5903V
R6	Resistor, precision, thick film, R0603	Panasonic	ERJ-3EKF1822V
R7	Resistor, film, SMD, 0603	Multicomp	MC0063W0603139K
R8	Resistor, thick film, chip	Vishay	CRCW0603715KFKEA
R9	Resistor, thin film, precision	TE Connectivity	RN73C1J13K7BTG
S2	Switch, tiny, washable, toggle switches	Apem Components	TL39P0050
T1	Flyback transformer, EPX6, SMT	Würth Elektronik	750316743
U1	Three-channel, isolated micropower management unit, seven digital isolators	Analog Devices	ADP1031ACPZ-1
U2	IC, 32 kb serial EEPROM	Microchip Technology	24LC32A/SN
U4	Ultralow noise, high accuracy voltage reference	Analog Devices	ADR4525BRZ
U5	16-bit, current and voltage output DAC, dynamic power control, HART connectivity	Analog Devices	AD5758BCPZ-REEL

Table 6. Bill of Materials (Uninserted Components)

Reference Designator	Description	Manufacturer	Part Number
C17	Capacitor, ceramic, X7R, general-purpose	Yageo	CC1206KKX7R9BB105
C18	Capacitor, ceramic, X7R	Yageo	CC0603KRX7R9BB103
C27	Capacitor, ceramic, X7R, general-purpose	Murata	GRM188R71A225KE15D
P8, P9	Connector, PCB, pin socket	Vero Technologies	66-3472
R12	Resistor, thin film, chip, high reliability	Panasonic	ERA-6AEB202V
R19, R32, R35	Resistor, thick film, chip	Multicomp	MC0063W06031100K
R36	Resistor, precision, thick film, chip	Panasonic	ERJ-6ENF2000V
R37	Resistor, precision, thin film, chip	TE Connectivity	CPF0603B20RE1
TP1, TP2	Connector, PCB test point, green	Vero Technologies	20-313138

**ESD Caution**

**ESD (electrostatic discharge) sensitive device.** Charged devices and circuit boards can discharge without detection. Although this product features patented or proprietary protection circuitry, damage may occur on devices subjected to high energy ESD. Therefore, proper ESD precautions should be taken to avoid performance degradation or loss of functionality.

**Legal Terms and Conditions**

By using the evaluation board discussed herein (together with any tools, components documentation or support materials, the "Evaluation Board"), you are agreeing to be bound by the terms and conditions set forth below ("Agreement") unless you have purchased the Evaluation Board, in which case the Analog Devices Standard Terms and Conditions of Sale shall govern. Do not use the Evaluation Board until you have read and agreed to the Agreement. Your use of the Evaluation Board shall signify your acceptance of the Agreement. This Agreement is made by and between you ("Customer") and Analog Devices, Inc. ("ADI"), with its principal place of business at One Technology Way, Norwood, MA 02062, USA. Subject to the terms and conditions of the Agreement, ADI hereby grants to Customer a free, limited, personal, temporary, non-exclusive, non-sublicensable, non-transferable license to use the Evaluation Board FOR EVALUATION PURPOSES ONLY. Customer understands and agrees that the Evaluation Board is provided for the sole and exclusive purpose referenced above, and agrees not to use the Evaluation Board for any other purpose. Furthermore, the license granted is expressly made subject to the following additional limitations: Customer shall not (i) rent, lease, display, sell, transfer, assign, sublicense, or distribute the Evaluation Board; and (ii) permit any Third Party to access the Evaluation Board. As used herein, the term "Third Party" includes any entity other than ADI, Customer, their employees, affiliates and in-house consultants. The Evaluation Board is NOT sold to Customer; all rights not expressly granted herein, including ownership of the Evaluation Board, are reserved by ADI. CONFIDENTIALITY. This Agreement and the Evaluation Board shall all be considered the confidential and proprietary information of ADI. Customer may not disclose or transfer any portion of the Evaluation Board to any other party for any reason. Upon discontinuation of use of the Evaluation Board or termination of this Agreement, Customer agrees to promptly return the Evaluation Board to ADI. ADDITIONAL RESTRICTIONS. Customer may not disassemble, decompile or reverse engineer chips on the Evaluation Board. Customer shall inform ADI of any occurred damages or any modifications or alterations it makes to the Evaluation Board, including but not limited to soldering or any other activity that affects the material content of the Evaluation Board. Modifications to the Evaluation Board must comply with applicable law, including but not limited to the RoHS Directive. TERMINATION. ADI may terminate this Agreement at any time upon giving written notice to Customer. Customer agrees to return to ADI the Evaluation Board at that time. LIMITATION OF LIABILITY. THE EVALUATION BOARD PROVIDED HEREUNDER IS PROVIDED "AS IS" AND ADI MAKES NO WARRANTIES OR REPRESENTATIONS OF ANY KIND WITH RESPECT TO IT. ADI SPECIFICALLY DISCLAIMS ANY REPRESENTATIONS, ENDORSEMENTS, GUARANTEES, OR WARRANTIES, EXPRESS OR IMPLIED, RELATED TO THE EVALUATION BOARD INCLUDING, BUT NOT LIMITED TO, THE IMPLIED WARRANTY OF MERCHANTABILITY, TITLE, FITNESS FOR A PARTICULAR PURPOSE OR NON-INFRINGEMENT OF INTELLECTUAL PROPERTY RIGHTS. IN NO EVENT WILL ADI AND ITS LICENSORS BE LIABLE FOR ANY INCIDENTAL, SPECIAL, INDIRECT, OR CONSEQUENTIAL DAMAGES RESULTING FROM CUSTOMER'S POSSESSION OR USE OF THE EVALUATION BOARD, INCLUDING BUT NOT LIMITED TO LOST PROFITS, DELAY COSTS, LABOR COSTS OR LOSS OF GOODWILL. ADI'S TOTAL LIABILITY FROM ANY AND ALL CAUSES SHALL BE LIMITED TO THE AMOUNT OF ONE HUNDRED US DOLLARS (\$100.00). EXPORT. Customer agrees that it will not directly or indirectly export the Evaluation Board to another country, and that it will comply with all applicable United States federal laws and regulations relating to exports. GOVERNING LAW. This Agreement shall be governed by and construed in accordance with the substantive laws of the Commonwealth of Massachusetts (excluding conflict of law rules). Any legal action regarding this Agreement will be heard in the state or federal courts having jurisdiction in Suffolk County, Massachusetts, and Customer hereby submits to the personal jurisdiction and venue of such courts. The United Nations Convention on Contracts for the International Sale of Goods shall not apply to this Agreement and is expressly disclaimed.