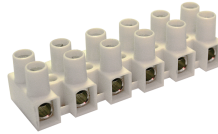


HE1 Series



HIGHLIGHTS

FEATURES

- 300V up to 63A
- Cost effective reliable wire-to-wire solution
- Easy to use double-row terminal strips
- Panel mount or free float
- Finger safe metal parts
- Wire protector
- easy to cut to required pole configuration
- Pre cut version in stock
- Color: white/black

APPLICATIONS

- HVAC
- Appliances
- Equipment
- Power Distribution
- Junction Boxes
- Cost effective alternative to barrier strips

Dimensions & Weight

Pitch Spacing	8 mm
Weight per piece (12 pole)	16.2 g

Technical Data/Ratings

Approvals		
Wire Size (solid / stranded)	24-12 AWG	1-2.5 mm ²
Voltage Rating	300 V	400 V
Current Rating	20 A	6 A
Torque	4.4 lb-in	0.35 Nm
Insulation Material	Polyamide 66/6 V0	
Insert Material	Tinned Brass	
Terminal Screw Material	Blue Chromated Steel	

Installation Instructions

Wire Stripping Length	5 mm
Mounting Hole Diameter	3.0 mm
Terminal Screw Size	M2.6

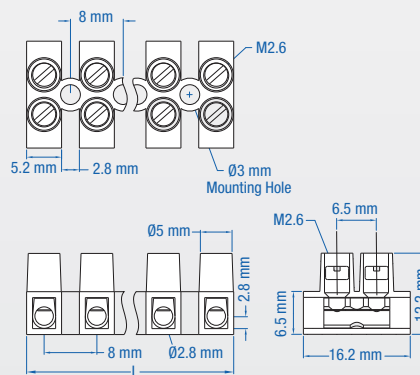
Terminal Strips

	Cat. No.	Cat. No.	Length	Std. Pk.
2 pole	HE1WPR/02	HE1WPR/02/BK	13.2 mm	100
3 pole	HE1WPR/03	HE1WPR/03/BK	21.2 mm	100
4 pole	HE1WPR/04	HE1WPR/04/BK	29.2 mm	100
5 pole	HE1WPR/05	HE1WPR/05/BK	37.2 mm	100
6 pole	HE1WPR/06	HE1WPR/06/BK	45.2 mm	50
7 pole	HE1WPR/07	HE1WPR/07/BK	53.2 mm	50
8 pole	HE1WPR/08	HE1WPR/08/BK	61.2 mm	50
9 pole	HE1WPR/09	HE1WPR/09/BK	69.2 mm	50
10 pole	HE1WPR/10	HE1WPR/10/BK	77.2 mm	50
11 pole	HE1WPR/11	HE1WPR/11/BK	85.2 mm	50
12 pole	HE1WPR/12	HE1WPR/12/BK	93.2 mm	50

Accessories

	Cat. No.	Std. Pk.
External Jumpers	2 pole HCL8-2	100
	3 pole HCL8-3	100
	4 pole HCL8-4	100
	12 pole HCL8-12	25

HE1 DIMENSIONS



(All dimensions are shown in mm, to convert to inches please divide by 25.4)

FLAT BASE FEET PANEL MOUNT 300 V - WIRE PROTECTOR

HE4 Series



Dimensions & Weight

Pitch Spacing	10 mm
Weight per piece (12 pole)	31.6 g

Technical Data/Ratings

Approvals		
Wire Size (solid / stranded)	24-10 AWG	2.5-4 mm ²
Voltage Rating	300 V	400 V
Current Rating	30 A	10 A
Torque	7.0 lb-in	0.4 Nm
Insulation Material	Polyamide 66/6 V0	
Insert Material	Tinned Brass	
Terminal Screw Material	Blue Chromated Steel	

Installation Instructions

Wire Stripping Length	6 mm
Mounting Hole Diameter	3.6 mm
Terminal Screw Size	M3

Terminal Strips

	Cat. No. <input type="checkbox"/>	Cat. No. <input checked="" type="checkbox"/>	Length	Std. Pk.
2 pole	HE4WPR/02	HE4WPR/02/BK	16.4 mm	100
3 pole	HE4WPR/03	HE4WPR/03/BK	26.4 mm	100
4 pole	HE4WPR/04	HE4WPR/04/BK	36.4 mm	100
5 pole	HE4WPR/05	HE4WPR/05/BK	46.4 mm	100
6 pole	HE4WPR/06	HE4WPR/06/BK	56.4 mm	50
7 pole	HE4WPR/07	HE4WPR/07/BK	66.4 mm	50
8 pole	HE4WPR/08	HE4WPR/08/BK	76.4 mm	50
9 pole	HE4WPR/09	HE4WPR/09/BK	86.4 mm	50
10 pole	HE4WPR/10	HE4WPR/10/BK	96.4 mm	50
11 pole	HE4WPR/11	HE4WPR/11/BK	106.4 mm	50
12 pole	HE4WPR/12	HE4WPR/12/BK	116.4 mm	50

Accessories

	Cat. No.	Std. Pk.
External Jumpers	2 pole HCL10-2	100
	3 pole HCL10-3	100
	4 pole HCL10-4	100
	12 pole HCL10-12	25

HIGHLIGHTS

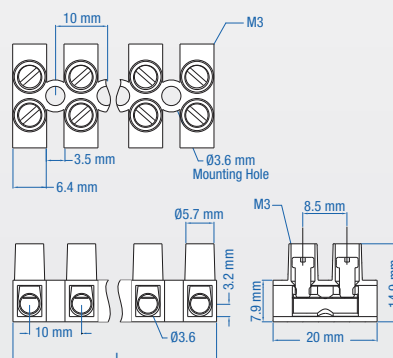
FEATURES

- 300V up to 63A
- Cost effective reliable wire-to-wire solution
- Easy to use double-row terminal strips
- Panel mount or free float
- Finger safe metal parts
- Wire protector
- easy to cut to required pole configuration
- Pre cut version in stock
- Color: white/black

APPLICATIONS

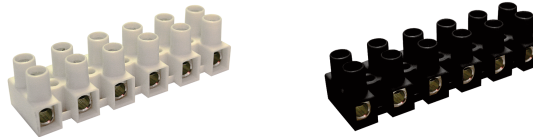
- HVAC
- Appliances
- Equipment
- Power Distribution
- Junction Boxes
- Cost effective alternative to barrier strips

HE4 DIMENSIONS



(All dimensions are shown in mm, to convert to inches please divide by 25.4)

HE6 Series



HIGHLIGHTS

FEATURES

- 300V up to 63A
- Cost effective reliable wire-to-wire solution
- Easy to use double-row terminal strips
- Panel mount or free float
- Finger safe metal parts
- Wire protector
- easy to cut to required pole configuration
- Pre cut version in stock
- Color: white/black

APPLICATIONS

- HVAC
- Appliances
- Equipment
- Power Distribution
- Junction Boxes
- Cost effective alternative to barrier strips

Dimensions & Weight

Pitch Spacing	12 mm
Weight per piece (12 pole)	47.0 g

Technical Data/Ratings

Approvals	CE (F)	UL E211022	IEC 60998-2-1
Wire Size (solid / stranded)		20-10 AWG	4-6 mm ²
Voltage Rating		300 V	400 V
Current Rating		40 A	16 A
Torque		7.0 lb-in	0.55 Nm
Insulation Material	Polyamide 66/6 V0		
Insert Material	Tinned Brass		
Terminal Screw Material	Blue Chromated Steel		

Installation Instructions

Wire Stripping Length	7 mm
Mounting Hole Diameter	4.2 mm
Terminal Screw Size	M3.5

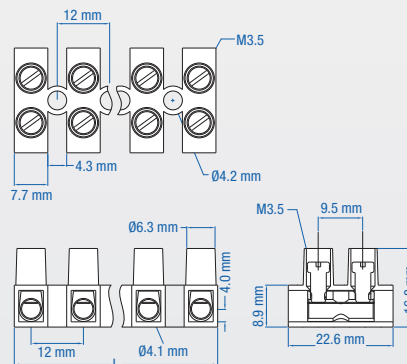
Terminal Strips

	Cat. No. □	Cat. No. ■	Length	Std. Pk.
2 pole	HE6WPR/02	HE6WPR/02/BK	19.8 mm	100
3 pole	HE6WPR/03	HE6WPR/03/BK	31.8 mm	100
4 pole	HE6WPR/04	HE6WPR/04/BK	43.8 mm	100
5 pole	HE6WPR/05	HE6WPR/05/BK	55.8 mm	100
6 pole	HE6WPR/06	HE6WPR/06/BK	67.8 mm	50
7 pole	HE6WPR/07	HE6WPR/07/BK	79.8 mm	50
8 pole	HE6WPR/08	HE6WPR/08/BK	91.8 mm	50
9 pole	HE6WPR/09	HE6WPR/09/BK	103.8 mm	50
10 pole	HE6WPR/10	HE6WPR/10/BK	115.8 mm	25
11 pole	HE6WPR/11	HE6WPR/11/BK	127.8 mm	25
12 pole	HE6WPR/12	HE6WPR/12/BK	139.8 mm	25

Accessories

	Cat. No.	Std. Pk.	
External Jumpers	2 pole	HCL12-2	100
	3 pole	HCL12-3	100
	4 pole	HCL12-4	100
	12 pole	HCL12-12	25
Marking Plates	Blank	BS60E	25
	No. 1-12	BS60EM1-12	25
	No. 13-24	BS60EM13-24	25

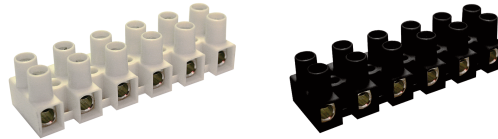
HE6 DIMENSIONS



(All dimensions are shown in mm, to convert to inches please divide by 25.4)

FLAT BASE FEET PANEL MOUNT 300 V - WIRE PROTECTOR

HE10 Series



Dimensions & Weight

Pitch Spacing	15 mm
Weight per piece (12 pole)	95.5 g

Technical Data/Ratings

Approvals	
Wire Size (solid / stranded)	18-8 AWG 6-10 mm ²
Voltage Rating	300 V 400 V
Current Rating	50 A 25 A
Torque	10.6 lb-in 0.84 Nm
Insulation Material	Polyamide 66/6 V0
Insert Material	Tinned Brass
Terminal Screw Material	Blue Chromated Steel

Installation Instructions

Wire Stripping Length	8.5 mm
Mounting Hole Diameter	4.5 mm
Terminal Screw Size	M4

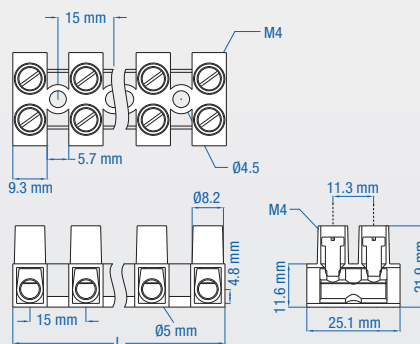
Terminal Strips

	Cat. No. <input type="checkbox"/>	Cat. No. <input checked="" type="checkbox"/>	Length	Std. Pk.
2 pole	HE10WPR/02	HE10WPR/02/BK	24.2 mm	50
3 pole	HE10WPR/03	HE10WPR/03/BK	39.2 mm	50
4 pole	HE10WPR/04	HE10WPR/04/BK	54.2 mm	50
5 pole	HE10WPR/05	HE10WPR/05/BK	69.2 mm	50
6 pole	HE10WPR/06	HE10WPR/06/BK	84.2 mm	25
7 pole	HE10WPR/07	HE10WPR/07/BK	99.2 mm	25
8 pole	HE10WPR/08	HE10WPR/08/BK	114.2 mm	25
9 pole	HE10WPR/09	HE10WPR/09/BK	129.2 mm	25
10 pole	HE10WPR/10	HE10WPR/10/BK	144.2 mm	10
11 pole	HE10WPR/11	HE10WPR/11/BK	159.2 mm	10
12 pole	HE10WPR/12	HE10WPR/12/BK	174.2 mm	10

Accessories

	Cat. No.	Std. Pk.	
External Jumpers	2 pole	HCL15-2	100
	3 pole	HCL15-3	100
	4 pole	HCL15-4	100
	12 pole	HCL15-12	25
Marking Plates	Blank	BS1016E	25
	No. 1-12	BS1016EM1-12	25
	No. 13-24	BS1016EM13-24	25

HE10 DIMENSIONS



(All dimensions are shown in mm, to convert to inches please divide by 25.4)

HIGHLIGHTS

FEATURES

- 300V up to 63A
- Cost effective reliable wire-to-wire solution
- Easy to use double-row terminal strips
- Panel mount or free float
- Finger safe metal parts
- Wire protector
- easy to cut to required pole configuration
- Pre cut version in stock
- Color: white/black

APPLICATIONS

- HVAC
- Appliances
- Equipment
- Power Distribution
- Junction Boxes
- Cost effective alternative to barrier strips

HE16 Series



HIGHLIGHTS

FEATURES

- 300V up to 63A
- Cost effective reliable wire-to-wire solution
- Easy to use double-row terminal strips
- Panel mount or free float
- Finger safe metal parts
- Wire protector
- easy to cut to required pole configuration
- Pre cut version in stock
- Color: white/black

APPLICATIONS

- HVAC
- Appliances
- Equipment
- Power Distribution
- Junction Boxes
- Cost effective alternative to barrier strips

Dimensions & Weight

Pitch Spacing	15 mm
Weight per piece (12 pole)	94.5 g

Technical Data/Ratings

Approvals		
Wire Size (solid / stranded)	18-6 AWG	10-16 mm ²
Voltage Rating	300 V	400 V
Current Rating	63 A	35 A
Torque	17.7 lb-in	1.4 Nm
Insulation Material	Polyamide 66/6 V0	
Insert Material	Tinned Brass	
Terminal Screw Material	Blue Chromated Steel	

Installation Instructions

Wire Stripping Length	8.5 mm
Mounting Hole Diameter	4.5 mm
Terminal Screw Size	M5

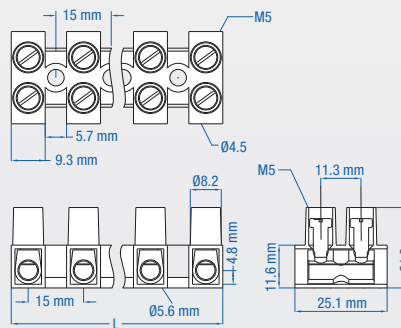
Terminal Strips

	Cat. No.	Cat. No.	Length	Std. Pk.
2 pole	HE16WPR/02	HE16WPR/02/BK	24.2 mm	50
3 pole	HE16WPR/03	HE16WPR/03/BK	39.2 mm	50
4 pole	HE16WPR/04	HE16WPR/04/BK	54.2 mm	50
5 pole	HE16WPR/05	HE16WPR/05/BK	69.2 mm	50
6 pole	HE16WPR/06	HE16WPR/06/BK	84.2 mm	25
7 pole	HE16WPR/07	HE16WPR/07/BK	99.2 mm	25
8 pole	HE16WPR/08	HE16WPR/08/BK	114.2 mm	25
9 pole	HE16WPR/09	HE16WPR/09/BK	129.2 mm	25
10 pole	HE16WPR/10	HE16WPR/10/BK	144.2 mm	10
11 pole	HE16WPR/11	HE16WPR/11/BK	159.2 mm	10
12 pole	HE16WPR/12	HE16WPR/12/BK	174.2 mm	10

Accessories

	Cat. No.	Std. Pk.	
External Jumpers	2 pole	HCL15-2	100
	3 pole	HCL15-3	100
	4 pole	HCL15-4	100
	12 pole	HCL15-12	25

HE16 DIMENSIONS



(All dimensions are shown in mm, to convert to inches please divide by 25.4)