

DO NOT SCALE FROM THIS PRINT

NOTES:

1. Ⓢ REPRESENTS A CRITICAL DIMENSION.
2. MINIMUM PUSHOUT FORCE: 1 LB[4.45N].
3. MAXIMUM ALLOWABLE BOW: .002[.05] INCH/INCH AFTER ASSEMBLY.
4. POST HEIGHT VARIATION BETWEEN ANY TWO PINS: .005[.13].
5. FOR ALL PINS: NO BAND MARKS ALLOWED IN POST AREA.
6. FOR LOCKING CLIPS: .75LB[3.336N] MIN RETENTION.
7. MEASURE AT BEND.
8. MAX PIN ROTATION IN BODY TO BE 2°.
9. TUBES ARE STANDARD PACKAGING
10. ORDERS WILL BE PACKAGED ACCORDING TO THE SAMTEC PACKAGING EFFICIENCY STANDARDS (SPES) FOUND ON WWW.SAMTEC.COM.
11. ATTACH LABEL TO EACH REEL

ESHF-1XX-01-X-D-XX-XX-X-XX

- No OF POSITIONS -02 THRU -25
- LEAD STYLE -01
- PLATING SPECIFICATION
 - L: LIGHT SELECTIVE (USE T-1S71-XX-L)
 - F: FLASH GOLD SELECTIVE (USE T-1S71-XX-F)
 - S: SELECTIVE GOLD (USE T-1S71-XX-S)
- ROW SPECIFICATION -D: DOUBLE
- PACKAGING (SEE NOTE 10 & 11)
 - BLANK: TUBES(SEE NOTE 9)
 - TR: TAPE AND REEL (SEE FIG 5, SHT 4)
 - FR: FULL REEL QTY TAPE & REEL
- PICK & PLACE OPTION
 - K: POLYIMIDE FILM (-SM ONLY) (AVAILABLE IN TAPE & REEL ONLY)
- OPTION
 - LC: LOCKING CLIP (NOT AVAILABLE WITH -RA)
- BODY HEIGHT
 - TH: THROUGH HOLE (SEE FIG 1, SHT 1)
 - RA: RIGHT ANGLE (SEE FIG 2, SHT 2)
 - SM: SURFACE MOUNT (SEE FIG 3, SHT 3)

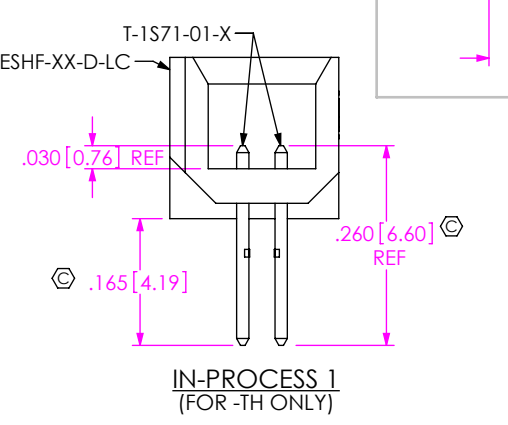
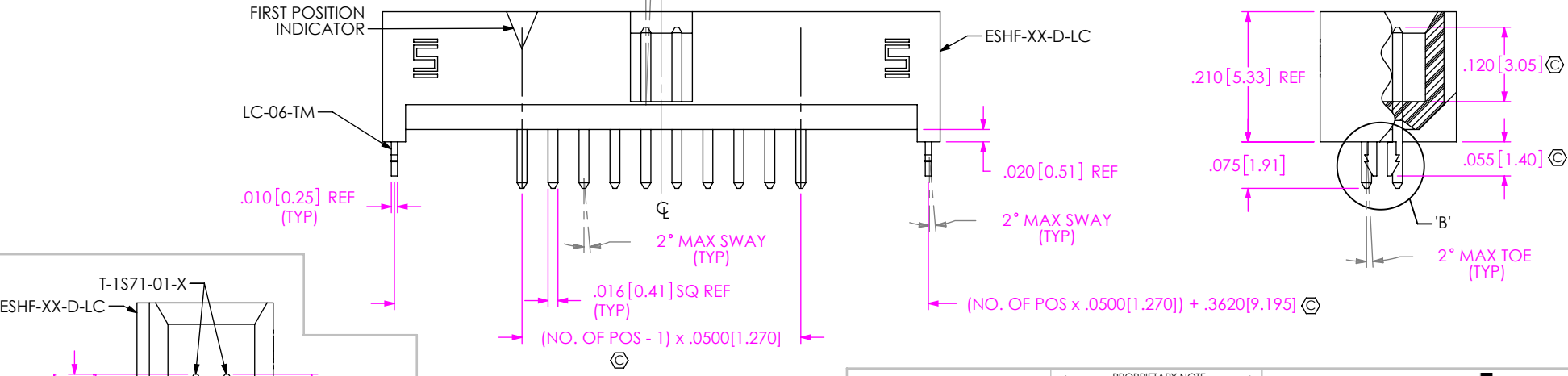
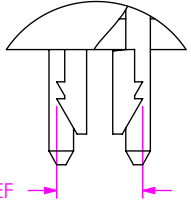
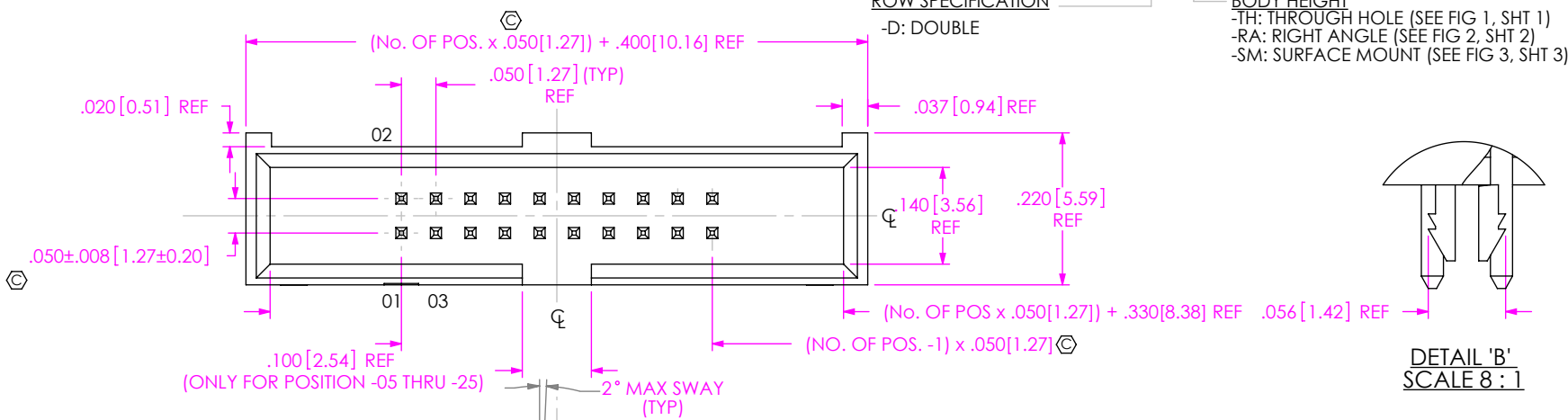
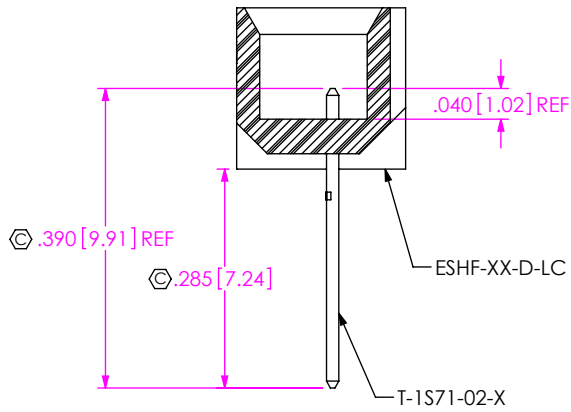
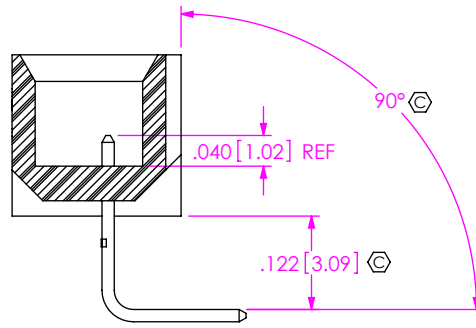


FIG 1 (ESHF-110-01-X-D-TH-LC SHOWN)

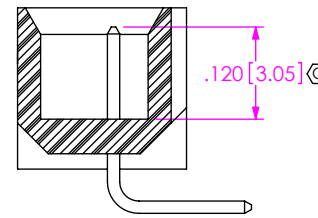
UNLESS OTHERWISE SPECIFIED, DIMENSIONS ARE IN INCHES. TOLERANCES ARE: DECIMALS ANGLES .XX: ±.01 [0.3] .XXX: ±.005 [0.13] .XXXX: ±.0020 [0.051]	* PROPRIETARY NOTE THIS DOCUMENT CONTAINS CONFIDENTIAL AND PROPRIETARY INFORMATION AND ALL DESIGN, MANUFACTURING, REPRODUCTION, USE, PATENT RIGHTS AND SALES RIGHTS ARE EXPRESSLY RESERVED BY SAMTEC, INC. THIS DOCUMENT SHALL NOT BE DISCLOSED, IN WHOLE OR PART, TO ANY UNAUTHORIZED PERSON OR ENTITY NOR REPRODUCED, TRANSFERRED OR INCORPORATED IN ANY OTHER PROJECT IN ANY MANNER WITHOUT THE EXPRESS WRITTEN CONSENT OF SAMTEC, INC.	520 PARK EAST BLVD, NEW ALBANY, IN 47150 PHONE: 812-944-6733 FAX: 812-948-5047 e-Mail: info@SAMTEC.com code: 55322



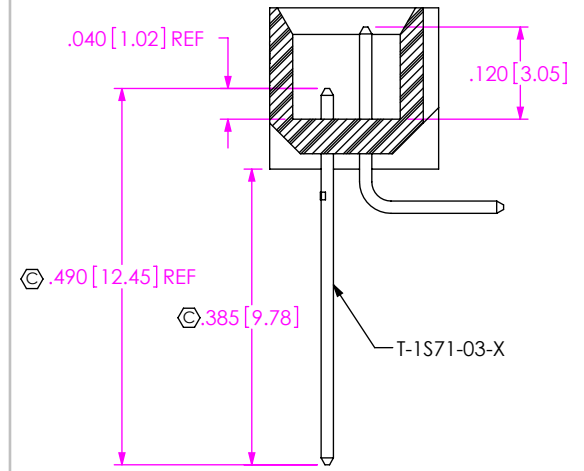
IN-PROCESS 1
(FOR -RA ONLY)



IN-PROCESS 2
(FOR -RA ONLY)



IN-PROCESS 3
(FOR -RA ONLY)



IN-PROCESS 4
(FOR -RA ONLY)

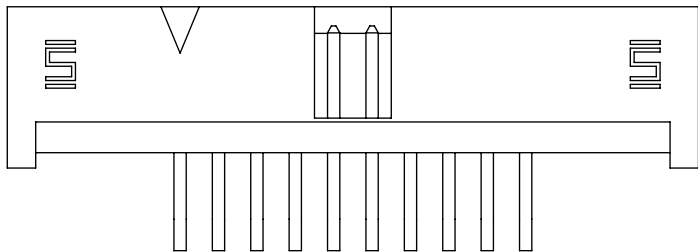
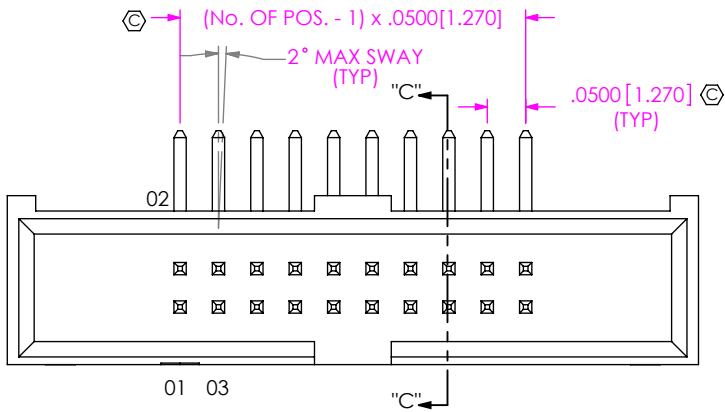
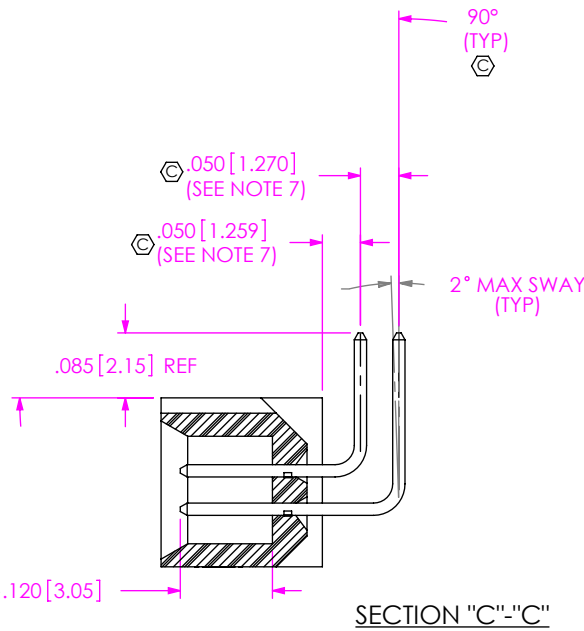
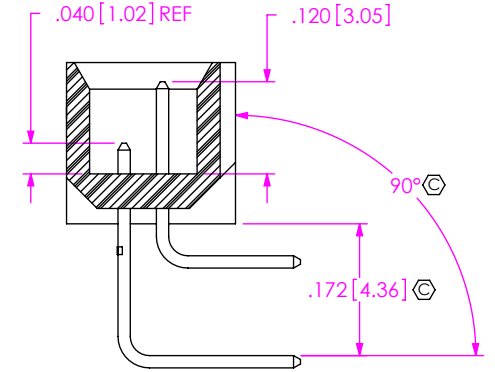


FIG 2
(ESHF-110-01-X-D-RA SHOWN)
(SAME AS FIG 1, DIFFERENT AS SHOWN)



SECTION "C"-"C"



IN-PROCESS 5
(FOR -RA ONLY)

PROPRIETARY NOTE

THIS DOCUMENT CONTAINS CONFIDENTIAL AND PROPRIETARY INFORMATION AND ALL DESIGN, MANUFACTURING, REPRODUCTION, USE, PATENT RIGHTS AND SALES RIGHTS ARE EXPRESSLY RESERVED BY SAMTEC, INC. THIS DOCUMENT SHALL NOT BE DISCLOSED, IN WHOLE OR PART, TO ANY UNAUTHORIZED PERSON OR ENTITY NOR REPRODUCED, TRANSFERRED OR INCORPORATED IN ANY OTHER PROJECT IN ANY MANNER WITHOUT THE EXPRESS WRITTEN CONSENT OF SAMTEC, INC.

DO NOT SCALE DRAWING

SHEET SCALE: 4:1

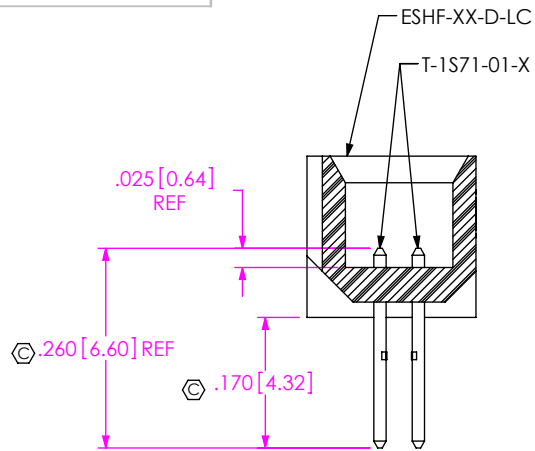
samtec

520 PARK EAST BLVD, NEW ALBANY, IN 47150
PHONE: 812-944-6733 FAX: 812-948-5047
e-Mail: info@SAMTEC.com code: 55322

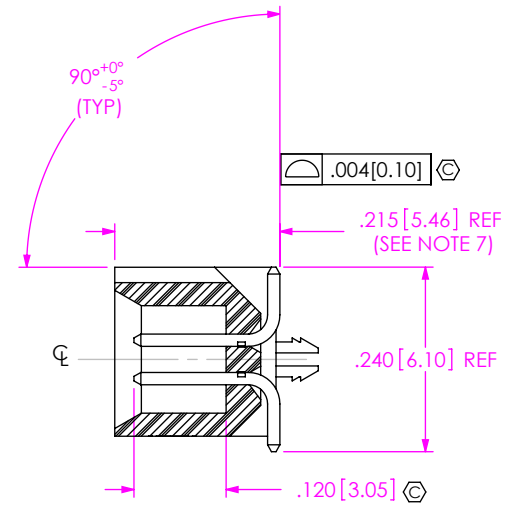
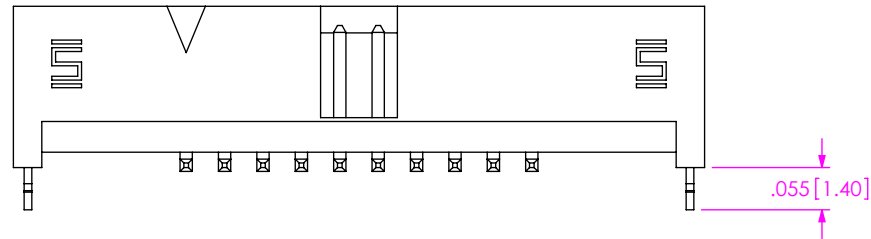
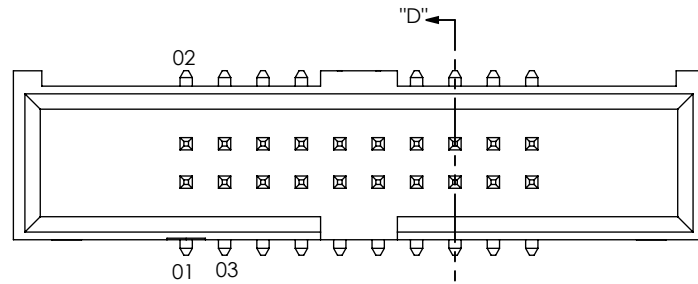
DESCRIPTION:
.050 x .050 EXTRA LENGTH SHROUDED TERMINAL STRIP

DWG. NO.
ESHF-1XX-01-X-D-XX-XX-X-XX

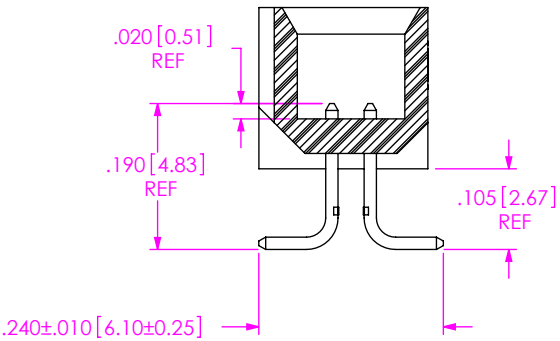
BY: T NEWTON 1/10/2008 SHEET 2 OF 4



IN-PROCESS 1
(FOR -SM ONLY)



SECTION "D"-"D"



IN-PROCESS 2
(FOR -SM ONLY)

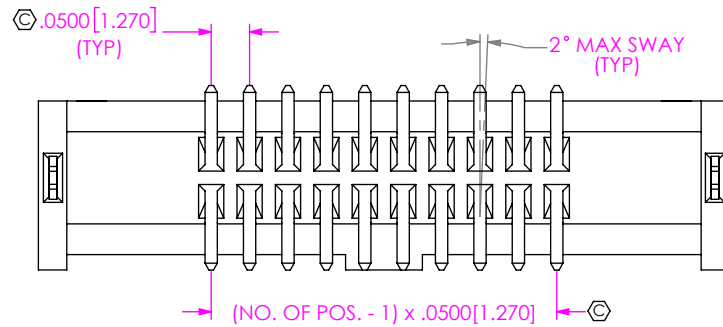


FIG 3
(ESHF-110-01-X-D-SM-LC SHOWN)
(SAME AS FIG 1, DIFFERENT AS SHOWN)

PROPRIETARY NOTE

THIS DOCUMENT CONTAINS CONFIDENTIAL AND PROPRIETARY INFORMATION AND ALL DESIGN, MANUFACTURING, REPRODUCTION, USE, PATENT RIGHTS AND SALES RIGHTS ARE EXPRESSLY RESERVED BY SAMTEC, INC. THIS DOCUMENT SHALL NOT BE DISCLOSED, IN WHOLE OR PART, TO ANY UNAUTHORIZED PERSON OR ENTITY NOR REPRODUCED, TRANSFERRED OR INCORPORATED IN ANY OTHER PROJECT IN ANY MANNER WITHOUT THE EXPRESS WRITTEN CONSENT OF SAMTEC, INC.



520 PARK EAST BLVD, NEW ALBANY, IN 47150
PHONE: 812-944-6733 FAX: 812-948-5047
e-Mail: info@SAMTEC.com code: 55322

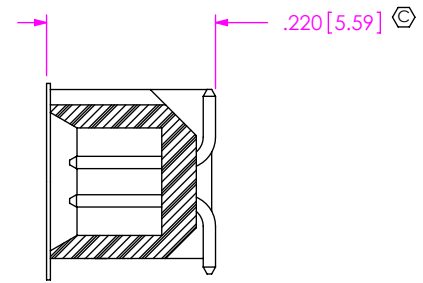
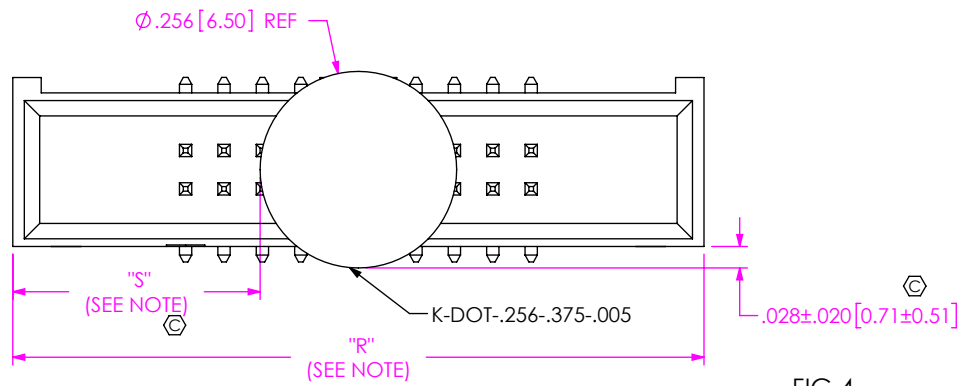
DO NOT SCALE DRAWING

SHEET SCALE: 4:1

DESCRIPTION:
.050 x .050 EXTRA LENGTH SHROUDED TERMINAL STRIP

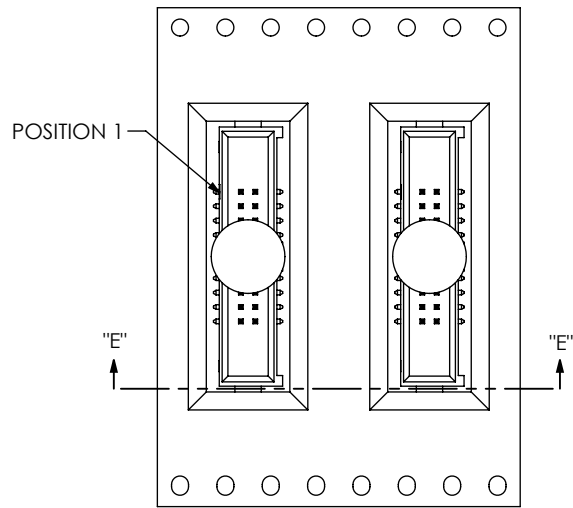
DWG. NO.
ESHF-1XX-01-X-D-XX-XX-X-XX

BY: T NEWTON 1/10/2008 SHEET 3 OF 4

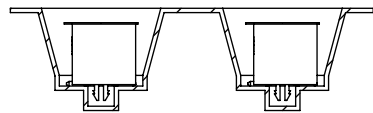


NOTE: "R" = USED MEASURED DIMENSION (REF)
 "S" = $\{("R" - .256[6.50])/2\} \pm 0.020[0.51]$

FIG 4
 (ESHF-110-01-X-D-SM-K SHOWN)
 (SAME AS FIG 1, DIFFERENT AS SHOWN)



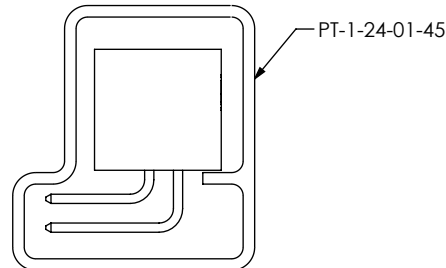
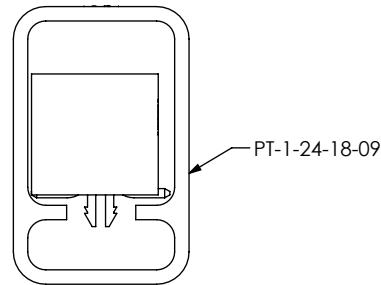
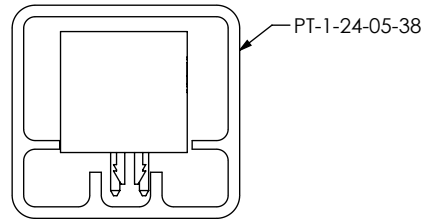
USER DIRECTION OF UN-REELING
 POCKET NOT DETAILED



SECTION "E"-"E"
 SCALE 1.5 : 1

FIG 5
 -TR: TAPE & REEL VIEW

PACKAGING
 ALL PARTS ARE LOADED WITH POSITION 1
 TOWARDS THE ARROW EXCEPT WHERE NOTED



NOTE: ALL POSITIONS ARE TO BE TUBED

TABLE 1		
OPTIONS	PACKAGING TUBE	PLUG
-TH, -TH-LC	PT-1-24-05-38	TP-03
-SM, -SM-LC	PT-1-24-18-09	TP-03
-RA	PT-1-24-01-45	TP-07

PROPRIETARY NOTE
 THIS DOCUMENT CONTAINS CONFIDENTIAL AND PROPRIETARY INFORMATION AND ALL DESIGN, MANUFACTURING, REPRODUCTION, USE, PATENT RIGHTS AND SALES RIGHTS ARE EXPRESSLY RESERVED BY SAMTEC, INC. THIS DOCUMENT SHALL NOT BE DISCLOSED, IN WHOLE OR PART, TO ANY UNAUTHORIZED PERSON OR ENTITY NOR REPRODUCED, TRANSFERRED OR INCORPORATED IN ANY OTHER PROJECT IN ANY MANNER WITHOUT THE EXPRESS WRITTEN CONSENT OF SAMTEC, INC.



520 PARK EAST BLVD, NEW ALBANY, IN 47150
 PHONE: 812-944-6733 FAX: 812-948-5047
 e-Mail: info@SAMTEC.com code: 55322

DO NOT SCALE DRAWING

SHEET SCALE: 4:1

DESCRIPTION:
 .050 x .050 EXTRA LENGTH SHROUDED TERMINAL STRIP

DWG. NO.
ESHF-1XX-01-X-D-XX-XX-X-XX

BY: T NEWTON 1/10/2008 SHEET 4 OF 4