



Jauch Battery Solutions

- Reliable energy for your application
- Standard cells and customized packs
- ESD protection
- Battery Certification Experts



RoHS compliant Pb free



REACH compliant



Conflict mineral free

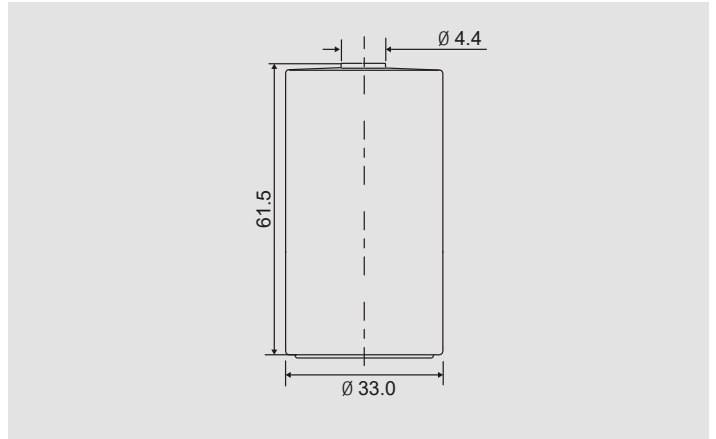
Technical Data Sheet · ER34615J-S

SPECIFICATIONS

Cell Size reference	D
Chemistry	Li-SoCl ₂
UL 1642	MH62838
Nominal Voltage	3.6V
Jauch No.	247662
Nominal Capacity	19.0 Ah
Max. Continuous Current	230 mA
Max. Pulse Current	up to 300 mA
Operating Temperature	-55 °C to +85 °C*
Storage	30 °C max
Weight	Approx. 100 gr.

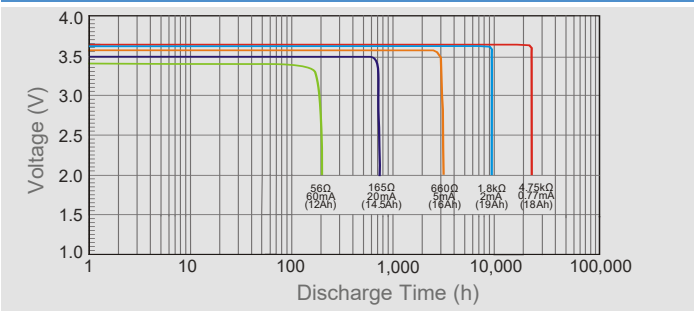
* In applications where the battery is exposed to temperatures >85°C, please contact Jauch.

DIMENSIONS (mm)

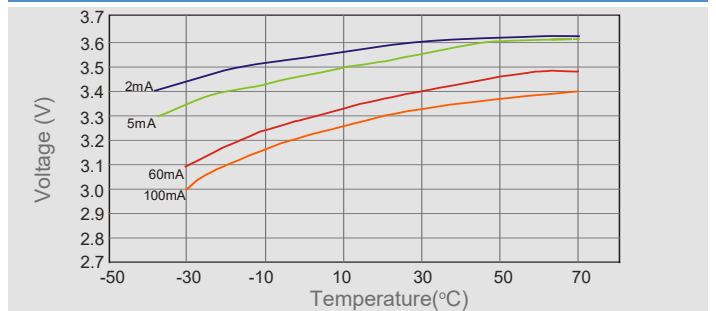


Available Terminals and Wire Connectors: please contact Jauch for diagram of batteries with terminals (batterytechnology@jauch.com).

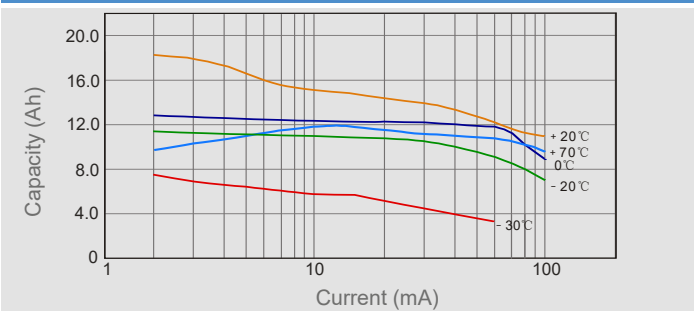
DISCHARGE CHARACTERISTICS



VOLTAGE VS. TEMPERATURE



CAPACITY VS. CURRENT



STORAGE CHARACTERISTICS

