



Jauch Battery Solutions

- Reliable energy for your application
- Standard cells and customized packs
- ESD protection
- Battery Certification Experts



RoHS compliant



Pb free



REACH compliant



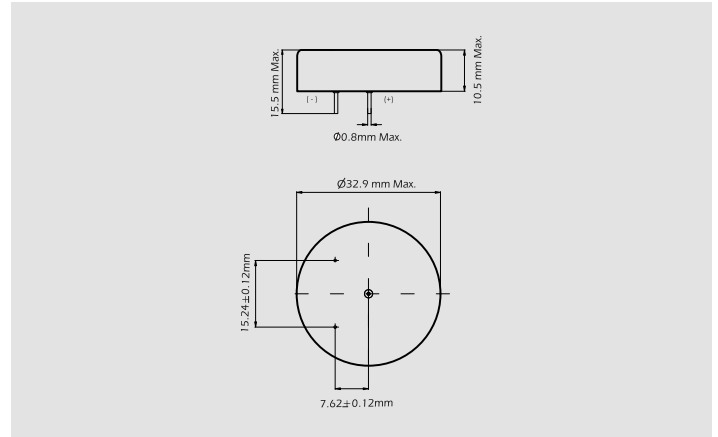
Conflict mineral free

Technical Data Sheet · ER32L100J

SPECIFICATIONS

Cell Size reference	1/6 D
Chemistry	Li-SoCl ₂
UI 1642	MH62838
Nominal Voltage	3.6V
Jauch No.	247838
Nominal Capacity	1.70 Ah
Max. Continuous Current	10 mA
Max. Pulse Current	50 mA
Operating Temperature	-55°C to +85°C*
Storage	30°C max
Weight	Approx. 24 gr.

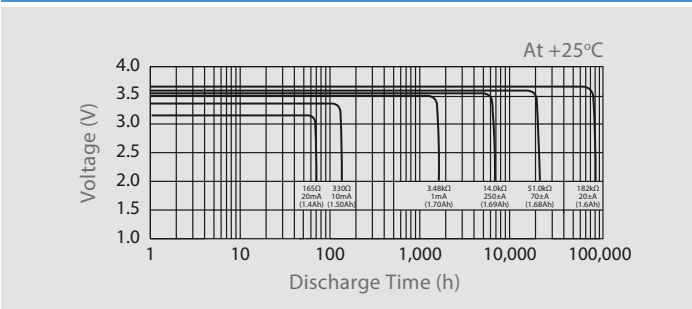
DIMENSIONS



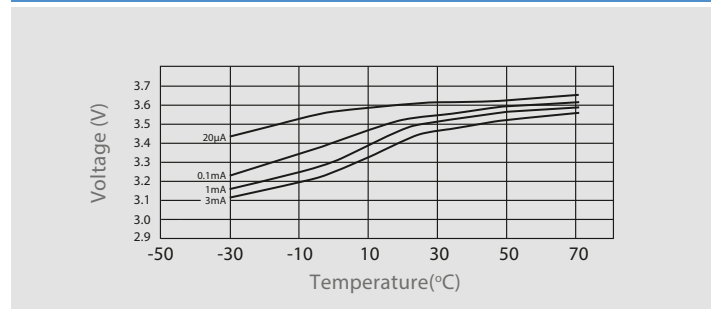
* In applications where the battery is exposed to temperatures >85°C, please contact Jauch.

Available Terminals and Wire Connectors: please contact Jauch for diagram of batteries with terminals (batterytechnology@jauch.com).

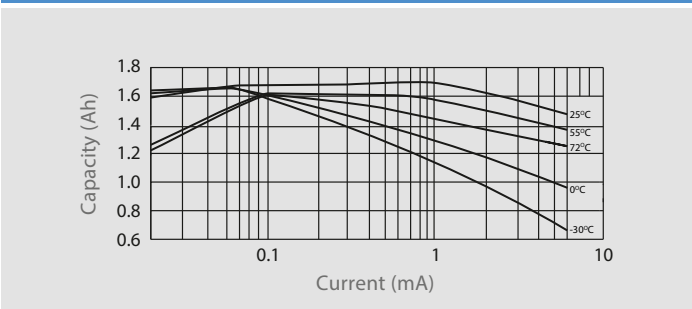
DISCHARGE CHARACTERISTICS



VOLTAGE VS. TEMPERATURE



CAPACITY VS. CURRENT



STORAGE CHARACTERISTICS

