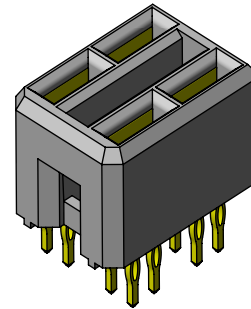


DO NOT  
SCALE FROM  
THIS PRINT

TABLE 1				
"X"				
PIN STAGING	POSITION 1	POSITION 2	POSITION 3	POSITION 4
-01	1.10	1.10	1.10	1.10
-02	1.10	1.10	2.60	2.60
-03	1.10	2.60	2.60	1.10
-04	1.10	2.60	2.60	2.60
-05	2.60	2.60	2.60	1.10
-06	2.60	2.60	2.60	2.60



**EPTS-X-X-D-VT-XX**

**SERIES**  
EXAMAX™ POWER  
TRADITIONAL SOCKET

**PIN STAGING**  
-01 THRU -06  
(SEE TABLE 1)

**POSITION**  
-2 : 4 POSITIONS

**PLATING**  
-P: PALLADIUM WITH  
FLASH GOLD ON  
CONTACTS, MATTE  
TIN TAILS.

**ORIENTATION**  
-VT: VERTICAL

**ROWS**  
-D: DOUBLE

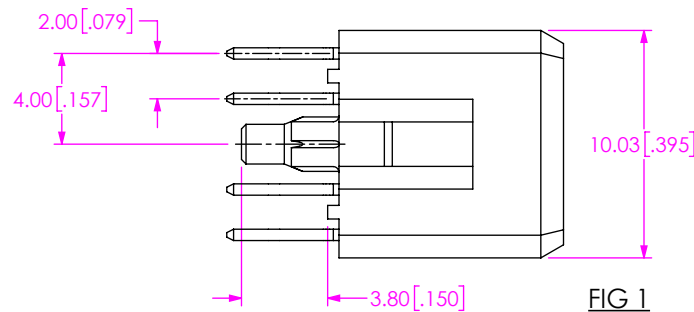
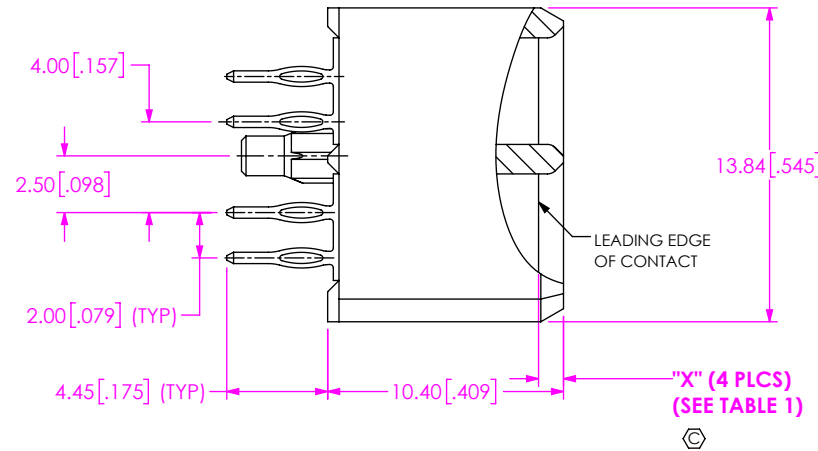
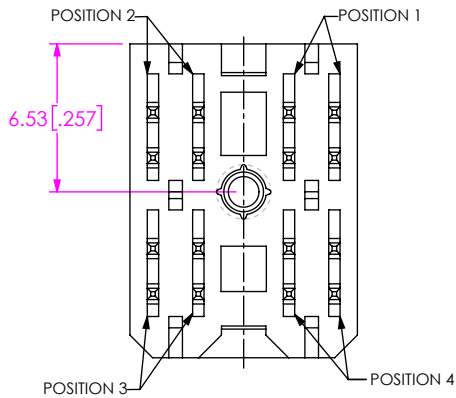
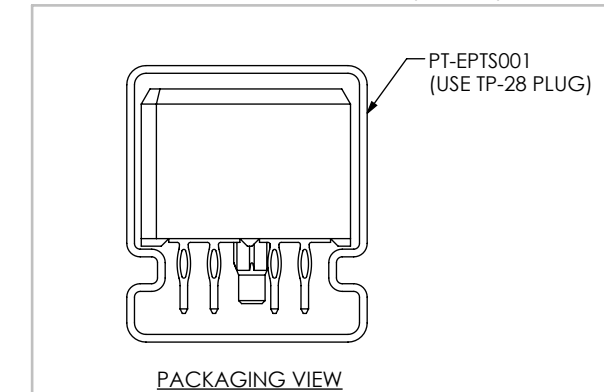
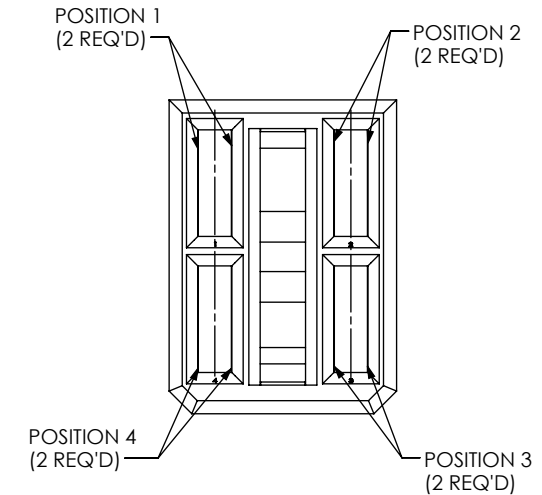


FIG 1  
EPTS-2-X-D-VT-XX SHOWN



NOTES:

- ⊗ REPRESENTS A CRITICAL DIMENSION.
- TUBES ARE STANDARD PACKAGING.
- SEE EPTS-X-X-D-VT-XX-FOOTPRINT DRAWING FOR RECOMMENDED PCB LAYOUT AND INFORMATION REGARDING PCB LAYOUT OF POWER MODULES RELATIVE TO SIGNAL MODULES.
- MINIMUM PULLOUT FORCE: 2.22N.
- NOMINAL PCB THICKNESS: 2.4MM [0.094] MINIMUM.
- ORDERS WILL BE PACKAGED ACCORDING TO THE SAMTEC PACKAGING EFFICIENCY STANDARDS (SPES) FOUND ON WWW.SAMTEC.COM

UNLESS OTHERWISE SPECIFIED,  
DIMENSIONS ARE IN  
MILLIMETERS [INCHES].  
TOLERANCES ARE:  
DECIMALS ANGLES  
X.X: ±0.3 [01] 2°  
X.XX: ±0.10 [004]  
X.XXX: ±0.050 [0020]

**PROPRIETARY NOTE**  
THIS DOCUMENT CONTAINS CONFIDENTIAL AND PROPRIETARY INFORMATION AND ALL DESIGN, MANUFACTURING, REPRODUCTION, USE, PATENT RIGHTS AND SALES RIGHTS ARE EXPRESSLY RESERVED BY SAMTEC, INC. THIS DOCUMENT SHALL NOT BE DISCLOSED, IN WHOLE OR PART, TO ANY UNAUTHORIZED PERSON OR ENTITY NOR REPRODUCED, TRANSFERRED OR INCORPORATED IN ANY OTHER PROJECT IN ANY MANNER WITHOUT THE EXPRESS WRITTEN CONSENT OF SAMTEC, INC.

MATERIAL: DO NOT SCALE DRAWING  
INSULATOR: NYLON  
TERMINAL: PHOS BRONZE

SHEET SCALE: 2:1

**samtec**

520 PARK EAST BLVD., NEW ALBANY, IN 47150  
PHONE: 812-944-6733 FAX: 812-948-5047  
e-Mail: info@SAMTEC.com code 55322

DESCRIPTION:  
EXAMAX® POWER-VERTICAL RECEPTACLE ASSY

DWG. NO.  
**EPTS-X-X-D-VT-XX**

BY: KNOWLDEN 9/2/2015 SHEET 1 OF 1