



SANYO Semiconductors

## DATA SHEET

# LB1660N

# LB1661

# LB1664N

Monolithic Digital IC  
 2-Phase Unipolar  
 Brushless Motor Drivers

## Overview

The LB1660 series are 2-phase unipolar brushless motor (ex. DC brushless fanmotor) drivers.

## Features

- Output current : 1.5A.
- On-chip output protect zener diodes : 60V (LB1660N, 1664N).
- Output stage withstand voltage : 85V.
- On-chip hall input amplifier.
- On-chip protector against lock.
- With lock detect pin.

## Classification

The LB1660 series are classified by the package and whether the on-chip output stage zener diode is used or not, as follows.

Output stage zener diode	With ( $V_Z = 59V$ )	Without ( $V_{or} = 85V$ )
Package		
DIP8 (Pd = 1.2W)	LB1660N	LB1661
DIP16F (Pd = 2.0W)	LB1664N	

It is recommended to use the LB1661 in the following cases.

- (1) A capacitor is connected across the output and GND and the back emf is more than  $V_Z = 59V$ .
- (2) External zener diodes are connected to absorb the kickback voltage.

■ Any and all SANYO Semiconductor Co.,Ltd. products described or contained herein are, with regard to "standard application" intended for the use as general electronics equipment (home appliances, AV equipment, communication device, office equipment, industrial equipment etc.). The products mentioned herein shall not be intended for use for any "special application" (medical equipment whose purpose is to sustain life, aerospace instrument, nuclear control device, burning appliances, transportation machine, traffic signal system, safety equipment, etc.) that shall require extremely high level of reliability and can directly threaten human lives in case of failure or malfunction of the product or may cause harm to human bodies, nor shall they grant any guarantee thereof. If you should intend to use our products for applications outside the standard applications of our customer who is considering such use and/or outside the scope of our intended standard applications, please consult with us prior to the intended use. If there is no consultation or inquiry before the intended use, our customer shall be solely responsible for the use.

■ Specifications of any and all SANYO Semiconductor Co.,Ltd. products described or contained herein stipulate the performance, characteristics, and functions of the described products in the independent state, and are not guarantees of the performance, characteristics, and functions of the described products as mounted in the customer's products or equipment. To verify symptoms and states that cannot be evaluated in an independent device, the customer should always evaluate and test devices mounted in the customer's products or equipment.

**SANYO Semiconductor Co., Ltd.**

[www.semiconductor-sanyo.com/network](http://www.semiconductor-sanyo.com/network)

# LB1660N, 1661, 1664N

## Specifications

### Absolute Maximum Ratings at $T_a = 25^\circ\text{C}$

Parameter	Symbol	Conditions	Ratings	Unit
Maximum input current	$I_{CC\ max}$	$t \leq 20\text{ms}$	200	mA
Output supply voltage	$V_O\ max$	LB1660N, LB1664N	Internal	V
		LB1661	-0.3 to +83	V
Maximum output current	$I_O\ max$		1.5	A
Output negative current	$I_{OM}$	LB1660N, $t \leq 20\mu\text{s}$	-50	mA
RD flow-in current	$I_{RD}$		5	mA
RD supply voltage	$V_{RD}$	LB1660N, LB1664N	30	V
		LB1661	20	V
Allowable power dissipation	$P_d\ max$	LB1660N, LB1661	1.2	W
		LB1664N	2.0	W
Operating temperature	$T_{opr}$		-30 to +80	$^\circ\text{C}$
Storage temperature	$T_{stg}$		-55 to +125	$^\circ\text{C}$

### Allowable Operating Conditions at $T_a = 25^\circ\text{C}$

Parameter	Symbol	Conditions	Ratings	Unit
Input current range	$I_{CC}$		7.0 to 50.0	mA
Common-mode input voltage range	$V_{ICM}$		0 to $V_{IN}-1.5$	V

### LB1660N, 1664N Electrical Characteristics at $T_a = 25^\circ\text{C}$

Parameter	Symbol	Conditions	Ratings			Unit
			min	typ	max	
Output limit voltage	$V_{OLM}$	$I_O = 1.0\text{A}$	56	59	63	V
Output saturation voltage	$V_O\ (\text{sat})1$	$I_O = 0.5\text{A}$		0.95	1.20	V
	$V_O\ (\text{sat})2$	$I_O = 1.0\text{A}$		1.15	1.50	V
	$V_O\ (\text{sat})3$	$I_O = 1.5\text{A}$		1.40	2.00	V
$V_{IN}$ input voltage	$V_{IN}$	$I_{CC} = 7.0\text{mA}$	6.4	6.7	7.0	V
Amp input offset voltage	$V_{off}$		-7	0	+7	mV
Amp input bias current	$I_{BA}$		-250			nA
RD output saturation voltage	$V_{RD}\ (\text{sat})$	$I_{RD} = 5\text{mA}$			0.5	V
Comparator input bias current	$I_{BC}$				250	nA
Comparator input threshold voltage	$V_{TH1}$		0.76	$0.8V_{IN}$	0.84	V
	$V_{TH2}$		0.56	$0.6V_{IN}$	0.64	V

### LB1661 Electrical Characteristics at $T_a = 25^\circ\text{C}$

Parameter	Symbol	Conditions	Ratings			Unit
			min	typ	max	
Output limit voltage	$V_{O\ \text{sus}}$	$I_O = 0.1\text{A}$ , both $V_{OUT1, 2}$	65			V
	$V_{OR}$	$I_O = 0\text{A}$ , both $V_{OUT1, 2}$	80			V
Output saturation voltage	$V_O\ (\text{sat})1$	$I_O = 0.5\text{A}$ , both $V_{OUT1, 2}$		0.95	1.20	V
	$V_O\ (\text{sat})2$	$I_O = 1.0\text{A}$ , both $V_{OUT1, 2}$		1.15	1.50	V
	$V_O\ (\text{sat})3$	$I_O = 1.5\text{A}$ , both $V_{OUT1, 2}$		1.40	2.00	V
$V_{IN}$ input voltage	$V_{IN}$	$I_{CC} = 7.0\text{mA}$	6.4	6.7	7.0	V
Amp input offset voltage	$V_{off}$		-7	0	+7	mV
Amp input bias current	$I_{BA}$		-250			nA
Comparator input bias current	$I_{BC}$				250	nA
Comparator input threshold voltage	$V_{TH}$			$0.8V_{IN}$		V

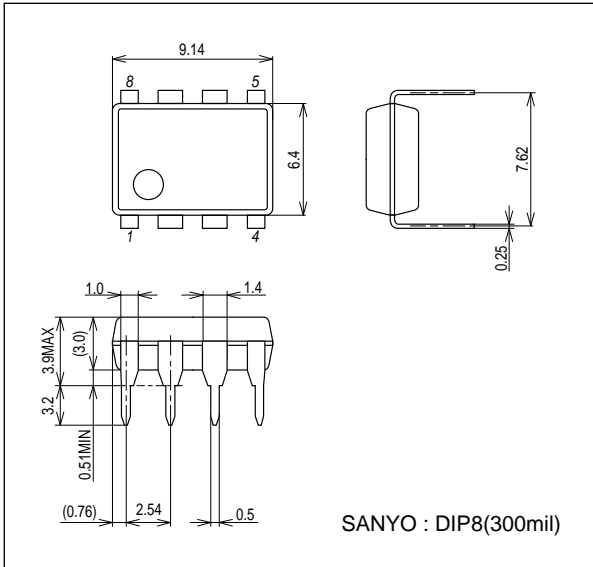
# LB1660N, 1661, 1664N

## Package Dimensions

unit : mm (typ)

3001D

[LB1660N, 1661]

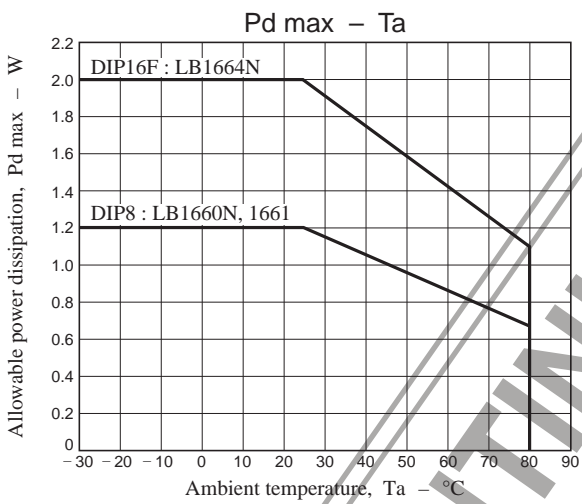
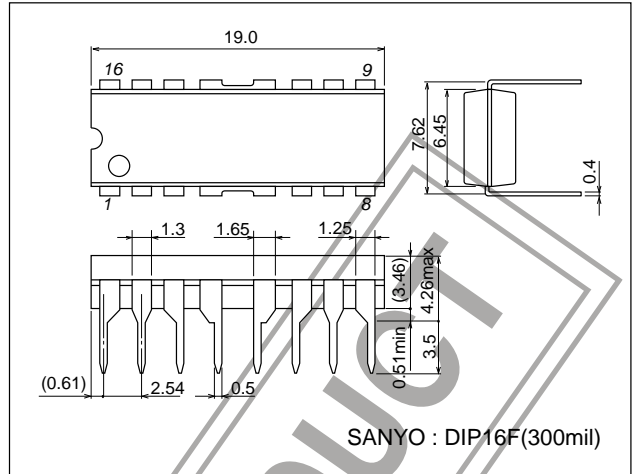


## Package Dimensions

unit : mm (typ)

3054B

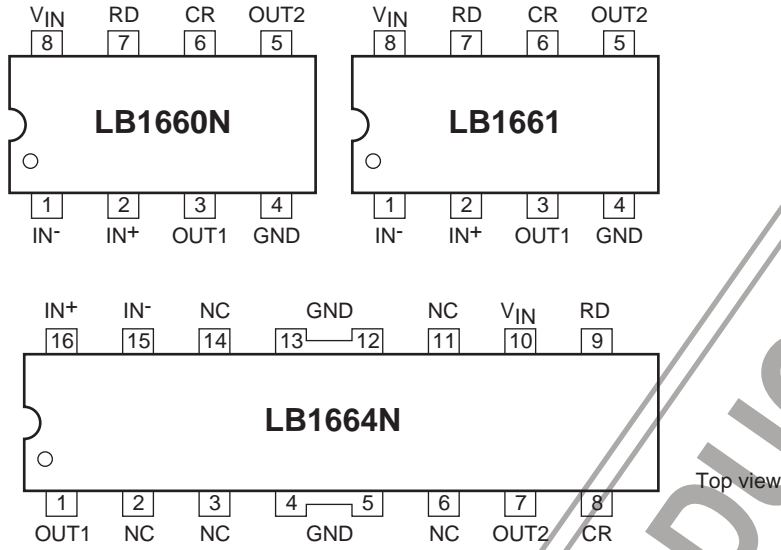
[LB1664N]



DISCONTINUED PRODUCT

# LB1660N, 1661, 1664N

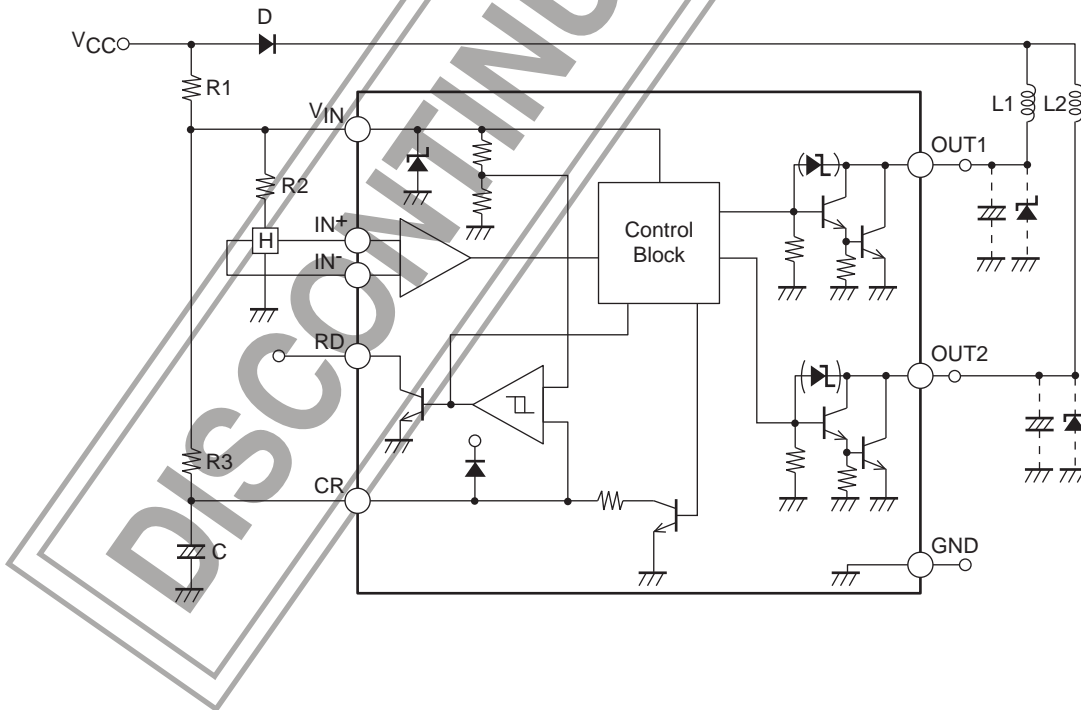
## Pin Assignment



## Truth Table

IN <sup>+</sup>	IN <sup>-</sup>	CR	OUT1	OUT2
H	L	L	H	L
L	H	L	L	H
H	L	H	H	H
L	H	H	H	H

## Block Diagram and Sample Application Circuit



**Design Specifications**

(1) Supply voltage

The hall amp and control block of the LB1660 series are supplied with power from the on-chip parallel regulator. Set the DC resistance R1 across VCC and VIN so that ICC flowing into the VIN pin becomes 7 to 50mA in the supply voltage range of a fan motor.

VIN is 6.7V typ at ICC = 7mA.

The current flowing into VIN is calculated using the equation shown below.

$$I_{CC} = \frac{V_{CC} - V_{IN}}{R1} \dots\dots\dots (1)$$

• Consideration given to surge voltage

The maximum allowable current at VIN pin is 200mA. Therefore, the design is made so that a surge voltage of positive value calculated using the following equation is allowable in applications where the IC is used.

$$V_{surge} = V_{IN} + R1 \times 200mA \dots\dots\dots (2)$$

(2) Hall input offset voltage

The gain in transmission from the hall input pin to the output pin is 100dB or greater. The offset voltage of the hall input amp is ±7mV ; therefore, the hall element output must be set with the offset voltage (±7mV) considered.

(3) Output transistor

Output Current	IO = 1.5A max
Output saturation voltage	VOsat = 2.0V/1.5A

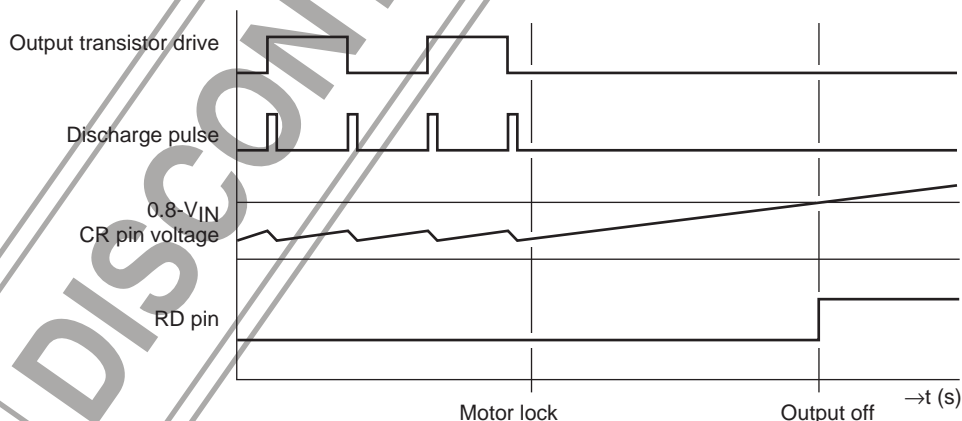
When external capacitors are connected to the output stages, the capacitance should not exceed 10µF. Since the LB1660N, 1664N have a protect zener diode across collector and base, the kickback voltage induced by the coil is cut at VOLM = 59V typ.

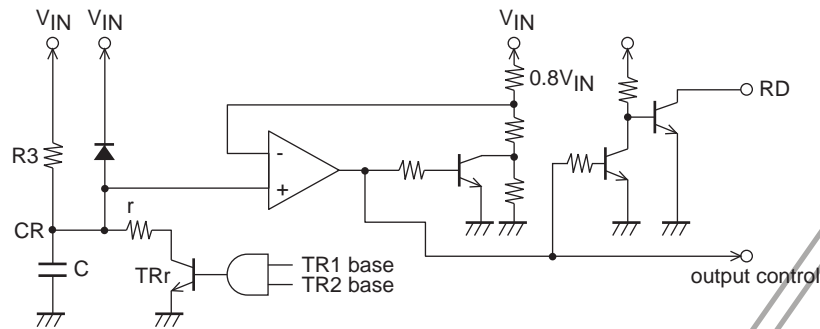
(4) Lock detect threshold voltage

The LB1660 series have the function to stop the output drive after the lapse of a given period of time when a motor is locked, and period of time can be set by C, R3.

The CR pin peripheral equivalent circuit is shown below. The LB1660 series generate the CR pin discharge pulse when the phase changes, (detection of rotation). When a motor is locked (very low rotational speed), the C connected to the CR pin stops discharging and the CR pin voltage rises. When the CR pin voltage exceeds the threshold voltage (VIN × 0.8), the output drive current becomes zero and the output transistor is turned off, and the RD pin output turns from “L” to “H”. The RD pin output is of the open collector type.

**CR Pin Peripheral Circuit**





## Setting Method of Lock Detect Time

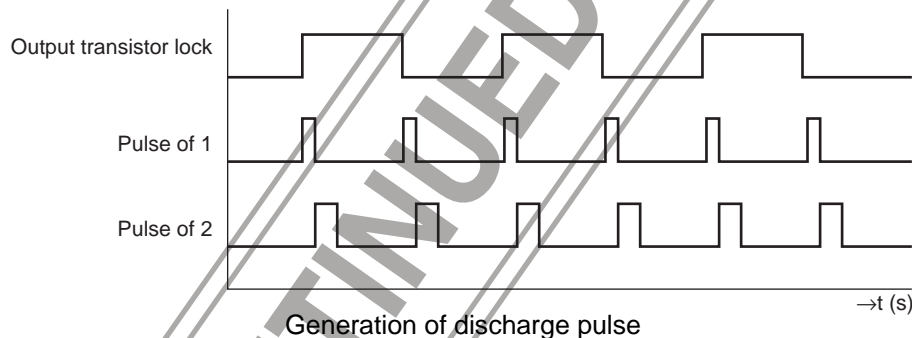
### (1) Generation of discharge pulse

Electric charges on C charged through R3 are discharged via route of  $C \rightarrow r \rightarrow TRr$  with constant width pulses at each phase change. When a fan has a high rotational speed, a lot of discharge pulses are generated and the CR pin voltage ( $= V_{CR}$ ) drops. By contrast, when a fan has a low rotational speed,  $V_{CR}$  rises and the protector is operated. The discharge pulses are generated by two methods as shown below.

1) Generated internally at the time of phase change. The power transistor base storage time is used for discharge pulses.

$$t = 15 \text{ to } 30 \mu\text{sec}$$

2) When the kickback voltage induced by L of a motor coil is absorbed by the zener diode across collector and base of the output transistor, this interval of time during which the transistor is turned on is used for discharge pulses. Therefore, the LB1661 or LB1660N, 1664N use external zener diodes and capacitors, discharge occurs with pulses of 1) only and  $V_{CR}$  voltage gets higher than the circuit generating discharge pulses of 2) even if the CR time constant is the same.



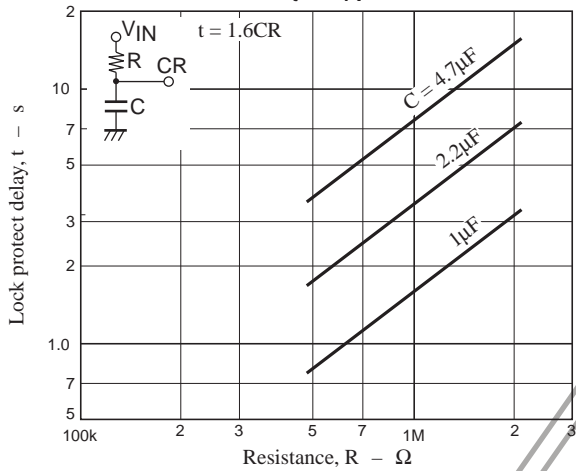
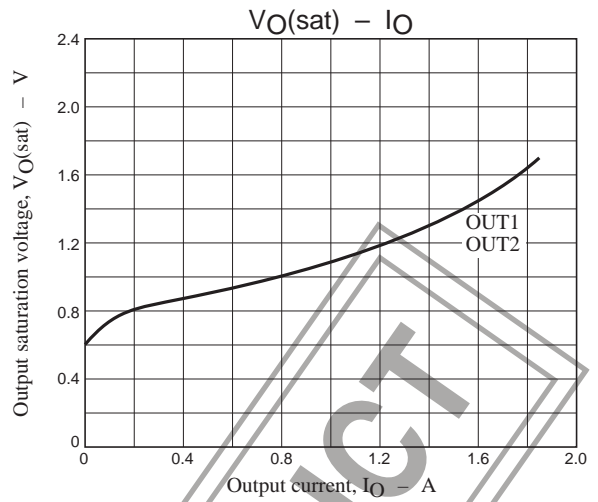
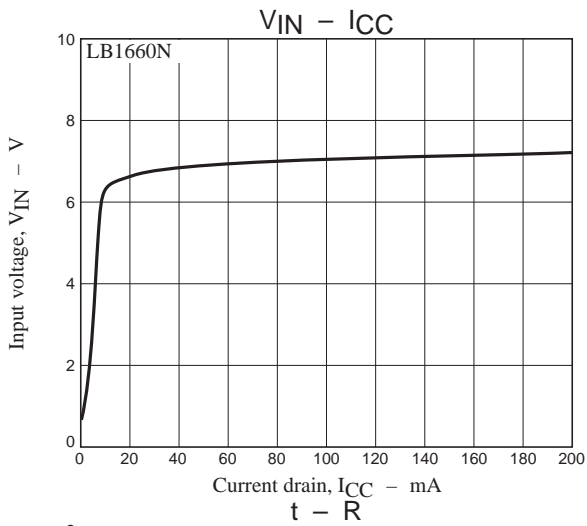
### (2) CR time constant setting method

- 1) Bias current of CR pin and effect of leakage of C. The value of the charge current at the threshold point is  $V_{IN} \times 0.2/R3$ . Therefore, this value and the leakage of C must be large enough for the bias current.
- 2) The CR pin voltage must not exceed  $0.6 \times V_{IN}$  (LB1660N, 1664N) or  $0.8 \times V_{IN} - 0.3V$  (LB1661), until the normal rotational speed of a fan is reached and while a fan keeps the normal rotational speed ; a malfunction may be caused by instantaneous drop of power supply.
- 3) It should be noted that the CR pin voltage is varied with the combination C and R, even if the CR time constant is the same.

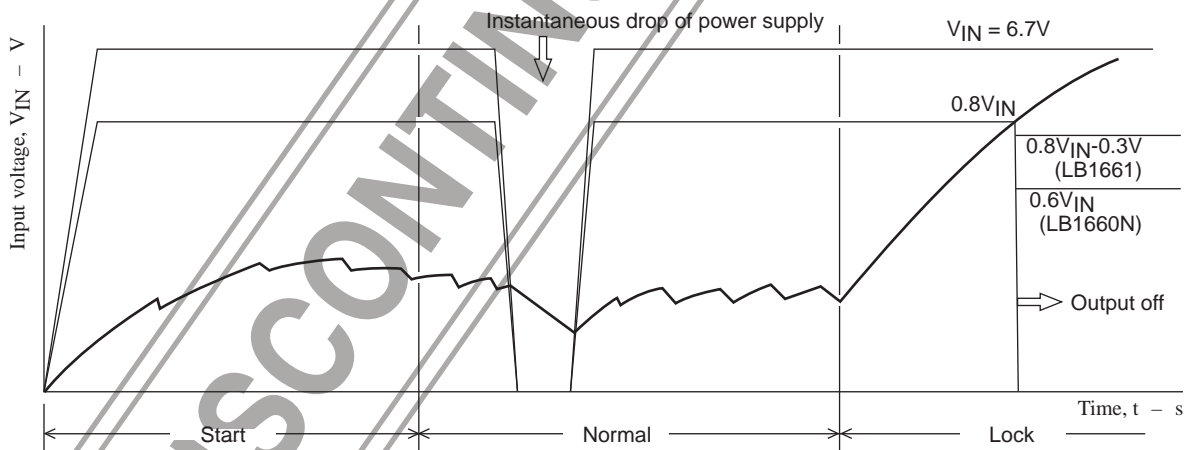
### (3) Restart after lock detection

The LB1660 series are so designed that when motor lock is detected and the output stage transistor is turned off the drive-off state is kept even after motor lock is released. The method of restart is shown below.

- 1) Turn off the power supply and turn on again. Turn on after the  $V_{CR}$  has dropped enough.
- 2) Set the CR pin voltage to be less than 1V, and then turn off the power supply in order to cause the lock detect function to return to normal. (The CR pin can be also used to provide on-off control.)



Timing Chart



UNVALUED PRODUCT

- SANYO Semiconductor Co.,Ltd. assumes no responsibility for equipment failures that result from using products at values that exceed, even momentarily, rated values (such as maximum ratings, operating condition ranges, or other parameters) listed in products specifications of any and all SANYO Semiconductor Co.,Ltd. products described or contained herein.
- SANYO Semiconductor Co.,Ltd. strives to supply high-quality high-reliability products, however, any and all semiconductor products fail or malfunction with some probability. It is possible that these probabilistic failures or malfunction could give rise to accidents or events that could endanger human lives, trouble that could give rise to smoke or fire, or accidents that could cause damage to other property. When designing equipment, adopt safety measures so that these kinds of accidents or events cannot occur. Such measures include but are not limited to protective circuits and error prevention circuits for safe design, redundant design, and structural design.
- In the event that any or all SANYO Semiconductor Co.,Ltd. products described or contained herein are controlled under any of applicable local export control laws and regulations, such products may require the export license from the authorities concerned in accordance with the above law.
- No part of this publication may be reproduced or transmitted in any form or by any means, electronic or mechanical, including photocopying and recording, or any information storage or retrieval system, or otherwise, without the prior written consent of SANYO Semiconductor Co.,Ltd.
- Any and all information described or contained herein are subject to change without notice due to product/technology improvement, etc. When designing equipment, refer to the "Delivery Specification" for the SANYO Semiconductor Co.,Ltd. product that you intend to use.
- Information (including circuit diagrams and circuit parameters) herein is for example only; it is not guaranteed for volume production.
- Upon using the technical information or products described herein, neither warranty nor license shall be granted with regard to intellectual property rights or any other rights of SANYO Semiconductor Co.,Ltd. or any third party. SANYO Semiconductor Co.,Ltd. shall not be liable for any claim or suits with regard to a third party's intellectual property rights which has resulted from the use of the technical information and products mentioned above.

This catalog provides information as of December, 2008. Specifications and information herein are subject to change without notice.