

M2D

Indicator (Cylindrical 8-dia.)

Cylindrical 8-dia. Indicator

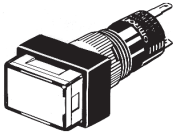
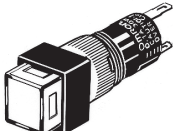

- Same basic design as the A3D Pushbutton Switch.
- Excellent illumination with even surface brightness.
- Cylindrical body means panel cutouts can be made easily.

RoHS Compliant



⚠ Refer to *Safety Precautions for All Pushbutton Switches/Indicators* and *Safety Precautions for the A3D*.

List of Models

Appearance	Model
Rectangular 	M2DJ
Square 	M2DA
Round 	M2DT

■ Specifications: Refer to page 4. ■ Dimensions: Refer to page 5. ■ Accessories: Refer to the A3D.
■ Precautions for correct use and safety precautions: Refer to the A3D.

Model Number Legend..... The model numbers used to order sets of Units are illustrated below. One set comprises the Display (with built-in LED) and Socket Unit.
For information on combinations, refer to Ordering Information.

(1) (2) (3)

M 2 D **J** - 9 0 **A** 1 - 0 0 E **R**

(1) Shape of Display

Symbol	Shape
J	Rectangular
A	Square
T	Round

(2) Terminal Type

Symbol	Terminal type
A	Solder terminals

• If PCB terminals are required, use the Socket given under Accessories. For details, refer to A3D.

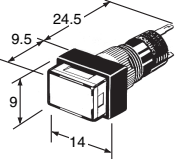
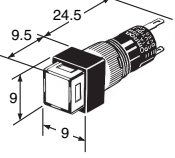
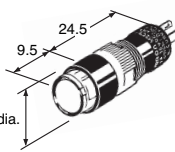
(3) Color of Display

Symbol	Color
R	Red
Y	Yellow
G	Green
W	White

• All models are illumination only. Colored-illumination models are not available.
• An external resistor is required. For details, refer to A3D.

Ordering Information

Ordering as a Set The model numbers used to order sets of Units are given in the following table. One set comprises the Display (with built-in LED), and Socket Unit.

Appearance	Degree of protection	Model number	Color symbol for Display	Minimum packing unit
Rectangular 	IP40	M2DJ-90A1-00E□	R, Y, G, W	10 pcs
Square 		M2DA-90A1-00E□		
Round 		M2DT-90A1-00E□		

Note: Enter the desired color symbol for the Display in □: R (red), Y (yellow), G (green), or W (white)

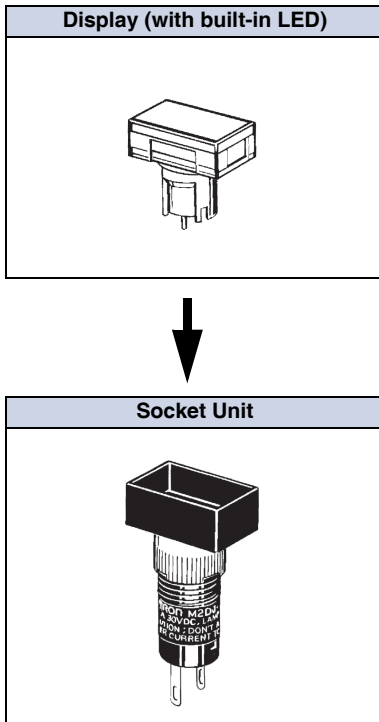
Individual models: Refer to pages 3.
(The Display and Socket Unit can be ordered separately.)

■ Specifications: Refer to page 4. ■ Dimensions: Refer to page 5.
■ Accessories: Refer to pages A3D

Ordering Information

Ordering Individually Displays and Socket Units can be ordered separately. Combinations that are not available as sets can be created using individual Units. Also, store the parts as spares for maintenance and repairs.

Ordering: Specify a model number from the following table.



Display (with built-in LED)

Appearance	Rectangular	Square	Round	Remarks	Minimum packing unit
Color					
Red	M2DJ-500R	M2DA-500R	M2DT-500R	Refer to the A3D datasheet for information on mounting and replacement.	10 pcs
Yellow	M2DJ-500Y	M2DA-500Y	M2DT-500Y		
Green	M2DJ-500GY	M2DA-500GY	M2DT-500GY		
White	M2DJ-500W	M2DA-500W	M2DT-500W		

Socket Unit

Sealing	IP40			Minimum packing unit
	Rectangle	Square	Round	
Appearance				
Terminal type				
Solder terminals	M2DJ-7001	M2DA-7001	M2DT-7001	10 pcs

Ordering set combinations: Refer to page 2.

■ Specifications: Refer to page 4. ■ Dimensions: Refer to page 5.
■ Accessories: Refer to pages A3D

Specifications

Ratings

Built-in LED Lamp

(Ta=25°C)

Item	Color of LED Lamp	Red	Yellow (White) *2	Green
Forward voltage, V _F	Reference value (V) *1	1.85	2.1	2.3
	Maximum value (V)	2.2	2.4	2.5
Forward current, I _F	Reference value (mA)	20	20	20
	Absolute maximum value (mA)	50	30	30
Permissible dissipation, P _D	Absolute maximum value (mW)	110	72	75
Reverse voltage, V _R	Absolute maximum value (V)	5	5	5

Note: The built-in LED lamp has no limiting resistor and so it is necessary to connect an external resistor within the range shown in the above table. For details of calculation formulas, refer to A3D.

*1. Refer to the characteristic graph of V_F-I_F on A3D.

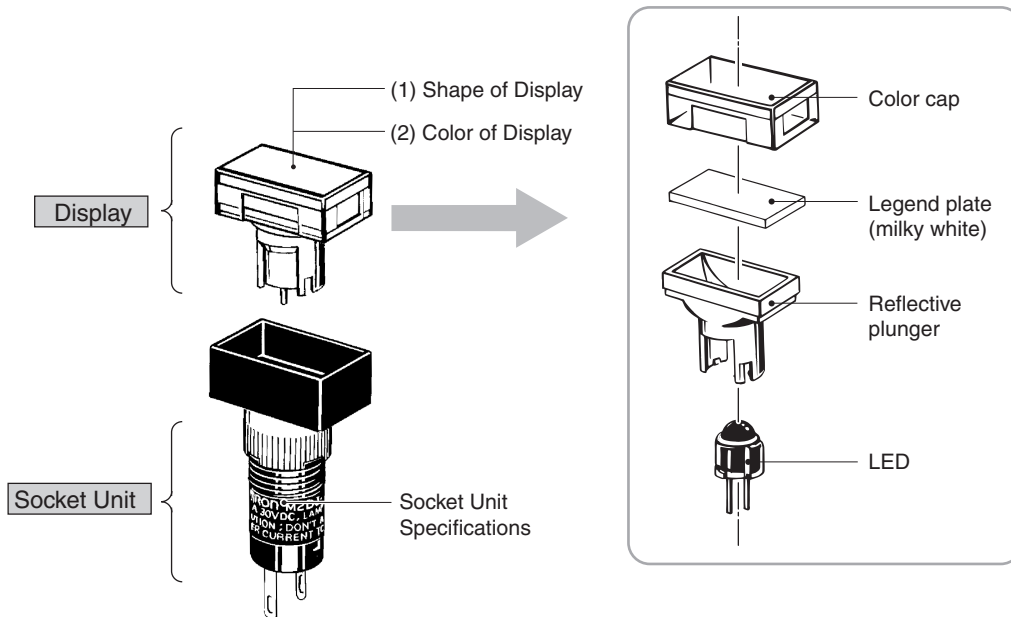
*2. The white Display is also used for yellow.

Characteristics

Ambient operating temperature	-10°C to +55°C (with no icing or condensation)
Ambient operating humidity	35 to 85% RH
Ambient storage temperature	-25°C to +65°C (with no icing or condensation)

Nomenclature

Model Structure



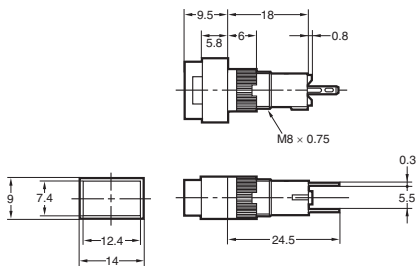
Note: The M2DJ model is shown here as a representative example.

	Type	Specifications
(1)	Shape of Display Rectangular (M2DJ) Square (M2DA) Round (M2DT)	---
(2)	LED Lamp-lighted Models Red, Yellow, Green, White	The LED lamp is built into the Display.

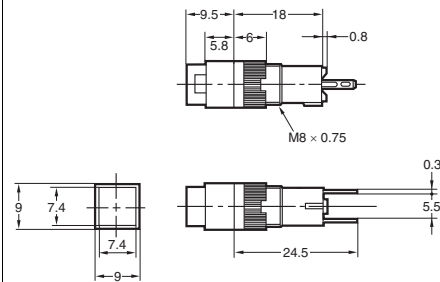
Dimensions

(Unit: mm)

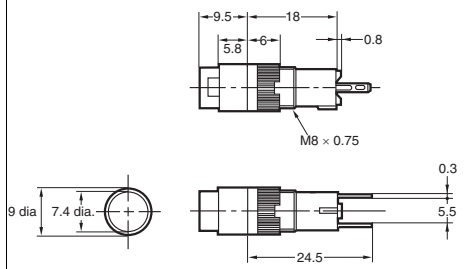
Rectangular Models (M2DJ-90A1-00E□)



Square Models (M2DA-90A1-00E□)



Round Models (M2DT-90A1-00E□)



Note: Unless specified, there is a tolerance of ± 0.4 mm for dimensions.

Terminals

Type	Indicator
Solder Terminals	

Accessories, Replacements, and Tools

The accessories, replacements, and tools are also used with the A3D Lighted Pushbutton Switch. Refer to the A3D datasheet.

Panel Cutouts (Top View)

Rectangular models (M2DJ)	Square models (M2DA) and round models (M2DT)
<p>Note: Recommended panel thickness: 1.0 to 3.2 mm.</p>	<p>Note: Recommended panel thickness: 1.0 to 3.2 mm.</p>

- If the panel is to be finished (e.g., coated), make sure that the panel meets the specified dimensions after the coating.

Safety Precautions

Refer to *Safety Precautions for all Pushbutton Switches/Indicators* and *Safety Precautions for the A3D*.

Please check each region's Terms & Conditions by region website.

OMRON Corporation

Electronic and Mechanical Components Company

Regional Contact

Americas

<https://www.components.omron.com/>

Asia-Pacific

<https://ecb.omron.com.sg/>

Korea

<https://www.omron-ecb.co.kr/>

Europe

<http://components.omron.eu/>

China

<https://www.ecb.omron.com.cn/>

Japan

<https://www.omron.co.jp/ecb/>