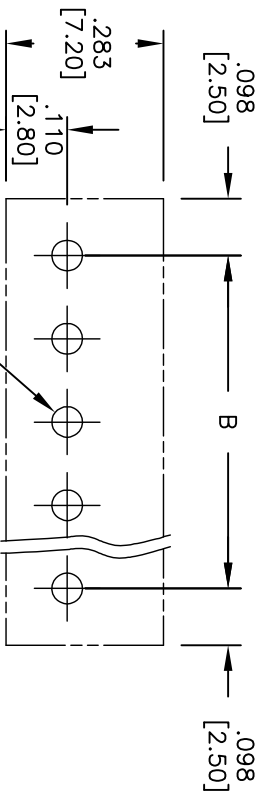
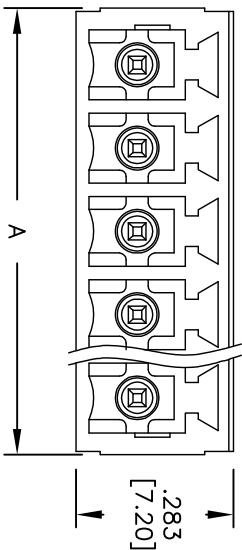
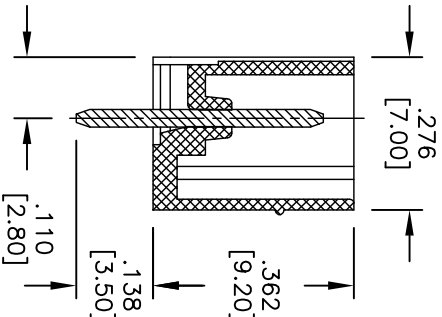
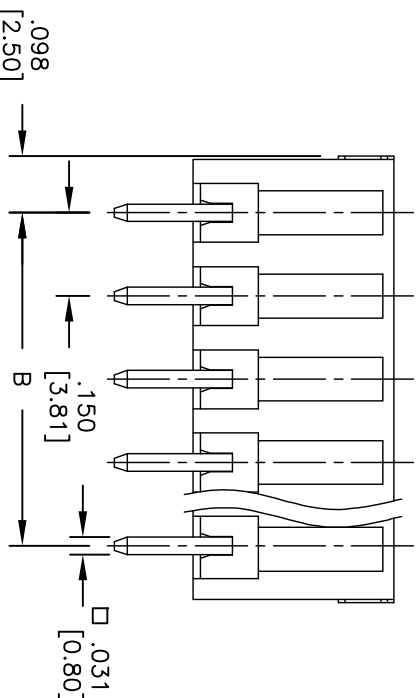


APPROVED: \_\_\_\_\_  
 DATE: \_\_\_\_\_ TITLE: \_\_\_\_\_

Rev	AWO #	Description	Date	Appr
-	9427	RELEASED	3/06/09	
A	-	REDRAWN	7/11/11	



Recommended PCB Layout



Poles	Tolerance
2-6P	±.006 [0.15]
7-12P	±.008 [0.20]
13-18P	±.010 [0.25]
19-24p	±.012 [0.30]

Poles: 2 thru 24  
 A = .150 [3.81] X No. of Spaces + .197 [5.00]  
 B = .150 [3.81] X No. of Spaces

**SPECIFICATIONS:**

**Material:**  
 Insulator: Thermoplastic, rated UL 94V-0  
 Insulator color: Green  
 Contact: Copper Alloy, Tin plated.  
**Electrical:**  
 Operation voltage: 300 VAC  
 Current rating: 10 Amps  
**Mechanical:**  
 Withstanding Voltage: 1.6KV  
 Environmental:  
 Operating temperature: -40°C to +115°C  
 Lead free, RoHS compliant.



UNLESS OTHERWISE SPECIFIED ALL DIMENSIONS ARE IN MM TOLERANCES: EXCEPT AS NOTED INCHES	
.X	±.10
.XX	±.020
.XXX	±.015
.XXX	±.010
ØXX	±.10
ØXXX	±.015
ØXXX	±.010

**ADAM TECH**  
 909 Railway Avenue, Union, NJ 07083  
 Phone: 908-687-5000 Fax: 908-687-5710

APPROVALS	DATE
DRAWN	3/06/09
CHECKED	
APPROVED	

SIZE	PART NO.	REV.
X	EB3-XX-B-180	A

TITLE: .150 [3.81] PITCH, TERMINAL BLOCK, VERTICAL

SCALE: NTS SHEET 1 OF 1