

6

5

4

3

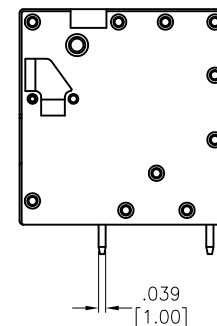
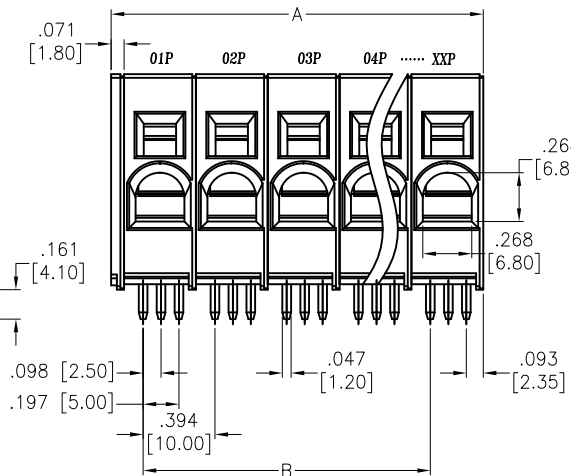
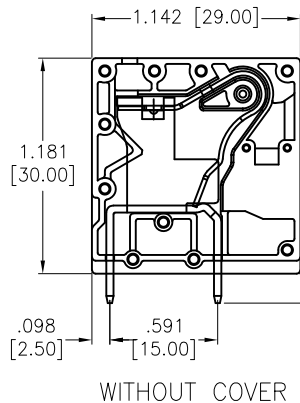
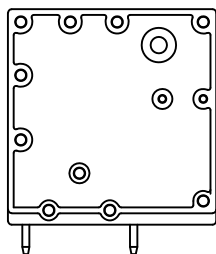
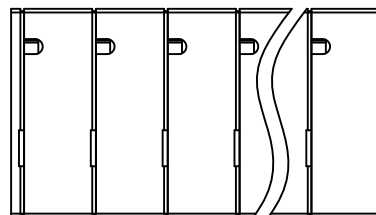
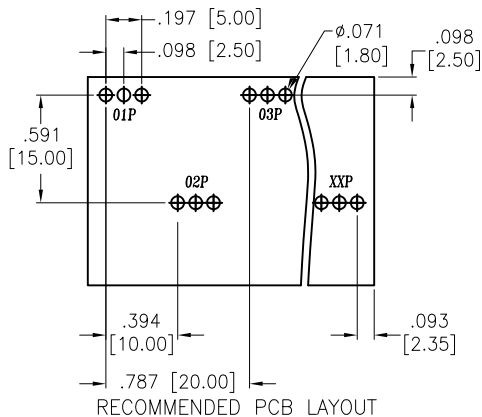
2

1

APPROVED: _____

DATE: _____ TITLE: _____

Rev	AWO #	Description	Date	Appr
-		RELEASED	11/26/18	



SPECIFICATIONS:

Material:
 Insulator: PA, rated UL 94V-0
 Insulator color: Green
 Contact: Copper Alloy, Tin plated

Electrical:
 Voltage rating: 600 V
 Current rating: 66 A
 Dielectric withstanding voltage: 2,200 VAC for 1 minute

Mechanical:
 Strip length: 18~19mm
 Wire Range: 4~18 AWG
 Temperature Rating:
 Operating temperature: -40°C to +105°C
 Environmental:
 Lead free, RoHS compliant.

Poles: 01 thru XXP

A = .394 [10.00] X No. of Positions +.071 [1.80]

B = .394 [10.00] X No. of Spaces

UNLESS OTHERWISE SPECIFIED
 ALL DIMENSIONS ARE INCHES [MM]
 TOLERANCES: EXCEPT AS NOTED

INCHES	HOLES
.X ± .10	Ø.X ± .10
.XX ± .020	Ø.XX ± .015
.XXX ± .015	Ø.XXX ± .010

ADAM TECH
 INTERCONNECTS

909 Rahway Avenue,
 Union, NJ 07083
 Phone: 908-687-5000
 Fax: 908-687-5710

APPROVALS		DATE
DRAWN	AY	11/26/18
CHECKED	AC	11/26/18
APPROVED		

TITLE		
SPRING CLAMP EURO BLOCK, .394 [10.00] PITCH		
SIZE	PART NO.	REV.
X	EB167A-XX-H	-
REF: S00067C	SCALE: NTS	SHEET 1 OF 1



6

5

4

3

2

1