

# KVR Supercapacitors

## Coin cells



### Description

Eaton supercapacitors are high reliability, high power, ultra-high capacitance energy storage devices utilizing electric double layer capacitor (EDLC) construction combined with proprietary materials and processes. This combination of advanced technologies allows Eaton to offer a wide variety of capacitor solutions tailored to applications for backup power, pulse power and hybrid power systems. They can be applied as the sole energy storage or in combination with batteries to optimize cost, life time and run time. System requirements can range from a few microwatts to megawatts. All products feature low ESR for high power density with environmentally friendly materials for a green power solution. Eaton supercapacitors are maintenance-free with design lifetimes up to 20 years\* and operating temperatures down to -25 °C and up to +70 °C.

### Features

- High specific capacitance
- Low leakage current
- Long cycle life

### Applications

- Electric utility meters
- Computers and peripherals
- Network switches and routers
- Consumer goods
- Industrial electronics
- Appliances and white goods
- Real-time clock (RTC) backup
- Office equipment

### Environmental compliance



\* Supercapacitor lifetimes vary based on charge voltage and temperature. See Eaton's application guidelines or contact your local Eaton sales representative for more information on lifetime estimates

## Ratings<sup>10</sup>

Capacitance	1.0 F to 1.5 F
Maximum working voltage	5.0 V
Surge voltage <sup>10</sup>	5.5 V
Capacitance tolerance	-20% to +80% (+20 °C)
Operating temperature range	-25 °C to +70 °C
Extended temperature range	-25 °C to +85 °C (with linear voltage derating to 3.27 V @ +85 °C)

## Specifications

Capacitance (F)	Part number	Maximum initial ESR +25 °C <sup>1</sup> (Ω)	Nominal leakage current <sup>1,2</sup> (μA)	Stored energy <sup>3</sup> (mWh)	Peak power <sup>4</sup> (W)	Pulse current <sup>5</sup> (A)	Short circuit current <sup>6</sup> (A)
1.0	KVR-5ROV105-R	30	10	3.47	0.208	0.081	0.167
1.0	KVR-5ROH105-R	30	10	3.47	0.208	0.081	0.167
1.0	KVR-5ROC105-R	30	10	3.47	0.208	0.081	0.167
1.5	KVR-5ROV155-R	30	10	5.21	0.208	0.082	0.167
1.5	KVR-5ROH155-R	30	10	5.21	0.208	0.082	0.167
1.5	KVR-5ROC155-R	30	10	5.21	0.208	0.082	0.167

## Performance

Parameter	Capacitance change (% of initial value)	ESR (% of maximum initial value)
Lifetime: (1000 hours at +70 °C, 5.0 V)	≤ 30%	≤ 400%
Charge/Discharge Cycles <sup>7</sup> : (500,000 at +20 °C)	≤ 30%	≤ 300%
Storage: (3 years, uncharged, <35 °C)	≤ 5%	≤ 10%

1. Capacitance, Equivalent Series Resistance (ESR) and Leakage current are measured according to IEC62391-1 with current in milliamps (mA) =  $8 \times C \times V$ .

2. Leakage current at +25 °C after 24 hour charge and hold.

3. Stored Energy (mWh) =  $0.5 \times C \times V^2$   
3600

4. Peak Power (W) =  $\frac{V^2}{4 \times \text{ESR}} \times 1000$

5. Pulse current for 1 second from full rate voltage to half voltage. (A) =  $0.5 \times V \times C$   
(1 + ESR x C)

6. Short circuit current is for safety information only. Do not use as operating current.

7. Cycling between rated voltage and half voltage, 3 second rest at +20 °C.

8. Testing and verification of product under end application conditions is recommended

9. Not recommended for +85 °C/85% RH applications

10. Surge voltage: Maximum voltage, non-repetitive, 1 second maximum

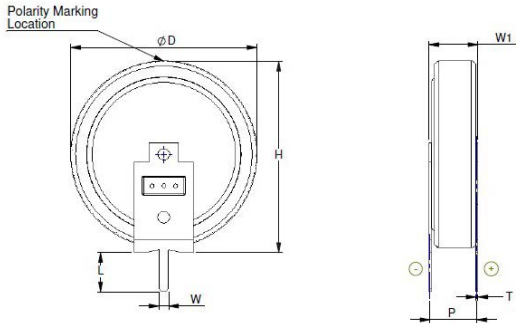
## Safety and certifications

Environmental compliance and general specifications	RoHS, REACH, Halogen free
Shock and vibration	MIL-STD 202G
Warnings	Do not overvoltage, do not reverse polarity
Shipping	No restrictions, per UN3499 with all cells <0.3 watt-hours

## Dimensions (mm) and mass (g)

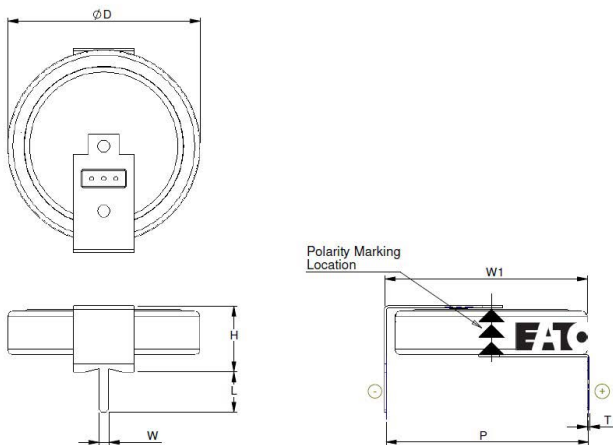
**V type (Vertical)**

Part number	OD +0.3/-0.1	H ±0.5	L ±0.2	P ±0.5	T ±0.05	W ±0.2	W <sub>ref</sub>	Mass (g) typical
KVR-5ROV105-R	19.1	20	4.0	5.0	0.2	1.0	5.2	3.5
KVR-5ROV155-R	19.1	20	4.0	5.0	0.2	1.0	5.2	3.5



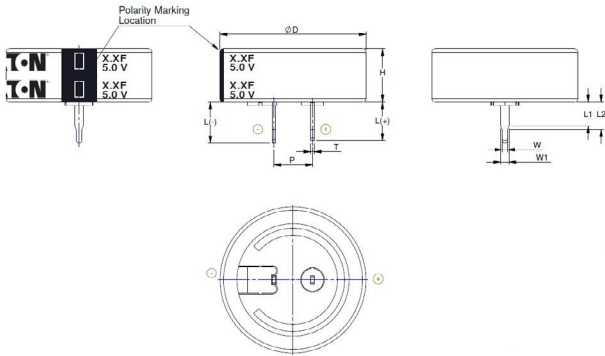
**H type (Horizontal)**

Part number	OD +0.3/-0.1	H ±0.3	L ±0.2	P ±0.5	T ±0.05	W ±0.2	W <sub>ref</sub>	Mass (g) typical
KVR-5ROH105-R	19.1	6.0	3.5	20	0.2	1.0	20	3.6
KVR-5ROH155-R	19.1	6.0	3.5	20	0.2	1.0	20	3.6



**C type (Cylindrical)**

Part number	OD ±0.5	H ±0.5	L(+) ±0.5	L (-) ±0.5	P ±0.5	T ±0.02	L1 ±0.3	L2 ±0.3	W ±0.2	W <sub>1</sub> ±0.2	Mass (g) typical
KVR-5ROC105-R	20.8	7.6	5.5	5.8	5.0	0.4	3.3	3.8	0.8	1.2	8.7
KVR-5ROC155-R	20.8	7.6	5.5	5.8	5.0	0.4	3.3	3.8	0.8	1.2	8.7



**Part numbering system**

**Packaging information**

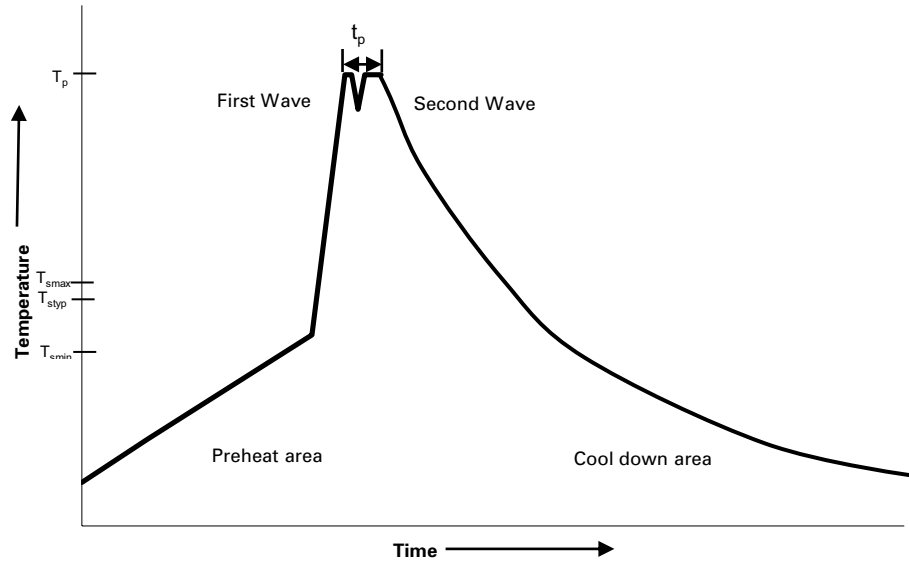
- Bulk: 100 parts per tray, 500 parts per box

**Part marking**

- Eaton logo
- Capacitance value (F)
- Operating voltage (V)
- Polarity mark

**Wave solder profile**

**WARNING:** DO NOT EXCEED +100 °C BODYTEMPERATURE. PERMANENT DAMAGE MAY OCCUR



Profile Feature	Standard SnPb Solder	Lead (Pb) Free Solder
Preheat and soak		
• Temperature max. ( $T_{smax}$ )	100 °C	100 °C
• Time max.	60 seconds	60 seconds
$\Delta$ preheat to max temperature	160 °C max.	160 °C max.
Peak temperature ( $T_p$ )*	220 °C – 260 °C	250 °C – 260 °C
Time at peak temperature ( $t_p$ )	5 seconds max	5 seconds max
Ramp-down rate	~ 2 K/s min ~3.5 K/s typ ~5 K/s max	~ 2 K/s min ~3.5 K/s typ ~5 K/s max
Time 25 °C to 25 °C	4 minutes	4 minutes

**Manual solder**

Do not touch the supercapacitor’s external sleeve with the soldering rod or the sleeve will melt or crack. The recommended temperature of the soldering rod tip is less than +360 °C and the soldering duration should be less than 5 seconds. Minimize the time that the soldering iron is in direct contact with the terminals of the supercapacitor as excessive heating of the leads may lead to higher equivalent series resistance (ESR). Generally manual soldering is not recommended.

**Reflow soldering**

Do not use reflow soldering using infrared or convection oven heating methods.

**Cleaning/Washing**

Avoid cleaning of circuit boards, however if the circuit board must be cleaned use static or ultrasonic immersion in a standard circuit board cleaning fluid for no more than 5 minutes and a maximum temperature of +60 °C. Afterwards thoroughly rinse and dry the circuit boards. In general, treat supercapacitors in the same manner you would an aluminum electrolytic capacitor.

Life Support Policy: Eaton does not authorize the use of any of its products for use in life support devices or systems without the express written approval of an officer of the Company. Life support systems are devices which support or sustain life, and whose failure to perform, when properly used in accordance with instructions for use provided in the labeling, can be reasonably expected to result in significant injury to the user.

Eaton reserves the right, without notice, to change design or construction of any products and to discontinue or limit distribution of any products. Eaton also reserves the right to change or update, without notice, any technical information contained in this bulletin.

**Eaton**  
**Electronics Division**  
1000 Eaton Boulevard  
Cleveland, OH 44122  
United States  
Eaton.com/electronics

© 2023 Eaton  
All Rights Reserved  
Printed in USA  
Publication No. ELX1175  
June 2023

Eaton is a registered trademark.

All other trademarks are property of their respective owners.

Follow us on social media to get the latest product and support information.

