

**EM3503 Series**  
**EuroMag Terminal Blocks**  
 3.81 Centers; Modular

**SPECIFICATIONS**

**Rating:** 8A, 300V

**Center Spacing:** 0.150" (3.81mm)

**Wire Size:** #16-26 AWG

**Housing Material:** UL rated 94V0 Thermoplastic

**Contact Material:** Brass Tin-Plated

**Screw Size:** M2.0 Zinc-Plated Steel

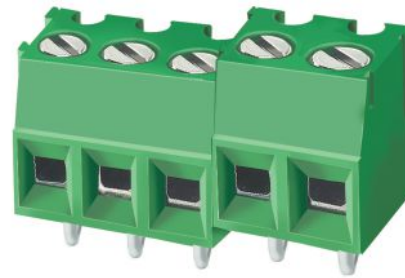
**Operating Temperature:** 105°C (221°F) max., -40°C (-40°F) min.

**Torque Rating:** 3.0 lb-in.

**Recommended PCB Hole Diameters:** 0.055" (1.40mm)

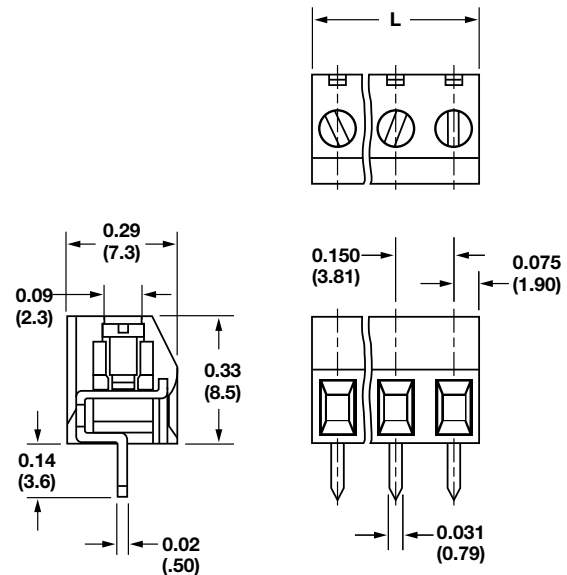
**Construction:** Modular design features dovetails for interlocking to achieve longer lengths

**Agency Information:** File E62622; CE Certified



EM350305

**Dimensions - in (mm)**



Poles	L (mm)	Poles	L (mm)
2	7.62	14	53.34
3	11.43	15	57.15
4	15.24	16	60.96
5	19.05	17	64.77
6	22.86	18	68.58
7	26.67	19	72.39
8	30.48	20	76.20
9	34.29	21	80.01
10	38.10	22	83.82
11	41.91	23	87.63
12	45.72	24	91.44
13	49.53		

To convert to inches, divide by 25.4

**Part Numbering System**

Series

# of Positions

EM3503

□ □

02 to 24

Terminal Blocks:  
Single Row

EuroMag Series  
Cage & Screw

Edge Connectors,  
One-Sided Boards

Compliance  
References