

# Red Spot BS Industrial fuse holders



## Product description

Eaton's Bussmann® series Red Spot British standard industrial fuse holders address many applications needs.

## Features

- They are fully shrouded for greater safety.
- The high resistance body material helps ensure high dielectric strength.
- The extremely reliable contact system ensures superior electrical conductivity.

**Catalogue symbol:**

- RS(amp)F: Front connected
- RS(amp)P: Back stud connected
- RS(amp)PH: Front/Back stud connected
- RS20F: Back stud connected, flush mounted

**Agency information:**

- BS88-2
- IEC 60269-2

**Technical data:**

- Rated voltage: 690 V a.c. (BS88 and IEC 60269)
- Rated current: 20 to 400 A
- Terminal conductor range: 10 to 240 mm<sup>2</sup>
- Maximum ambient operating temperature: 40°C
- Protection index: IP20

**Packaging:**

- 20 to 63 A: 10 per pack
- 100 A: 5 per pack
- 200 and 400 A: 1 per pack

**Table 1. Part numbers details**

Fuse holder description	Colour	20 A	32 A	63 A	100 A	200 A	400 A
Front connected	Black	RS20H	RS32H	RS63H	RS100H	RS200H	RS400H
	White	RS20HWH	RS32HWH	RS63HWH	RS100HWH	RS200HWH	
	Green	RS20HGN	RS32HGN				
	Grey	RS20HGY					
Back stud connected	Black	RS20P/G	RS32P	RS63P	RS100P	RS200P	RS400P
	White	RS20P/GWH	RS32PWH	RS63PWH	RS100PWH	RS200PWH	
	Green	RS20P/GGN	RS32PGN				
	Grey	RS20P/GGY					
Front/Back stud connected	Black	RS20PH/G	RS32PH	RS63PH	RS100PH	RS200PH	RS400PH
	White			RS63PHWH			
Back stud connected, flush mounted	Black	RS20F					
	White	RS20FWH					
	Green	RS20FGN					
	Grey	RS20FGY					

**Table 2. Technical data**

Rated current (Amps)	Rated voltage (V a.c.)	Agency markings	Minimum conductor size	Maximum conductor size	Compatible fuse links	Packaging
20	690	BS88-2 and IEC 60269 -2	1 mm <sup>2</sup>	10 mm <sup>2</sup>	NITD, NIT	10
32			1 mm <sup>2</sup>	16 mm <sup>2</sup>	TIA, AAO, H07-660	10
63			4 mm <sup>2</sup>	50 mm <sup>2</sup>	TIS, BAO	10
100			6 mm <sup>2</sup>	70 mm <sup>2</sup>	TCP, CEO	5
200			10 mm <sup>2</sup>	120 mm <sup>2</sup>	TF, DD	1
400			25 mm <sup>2</sup>	240 mm <sup>2</sup>	TM, EF	1

## Red Spot BS Industrial fuse holders

### Weights:

- RS20H: 136 grams
- RS20P: 180 grams
- RS20PH: 150 grams
- RS20F: 210 grams
  
- RS32H: 250 grams
- RS32P: 300 grams
- RS32PH: 275 grams
  
- RS63H: 325 grams
- RS63P: 450 grams
- RS63PH: 380 grams
  
- RS100H: 850 grams
- RS100P: 1 kg
- RS100PH: 925 grams
  
- RS200H: 2 kg
- RS200P: 2.2 kg
- RS200PH: 2.4 kg
  
- RS400H: 6.2 kg
- RS400P: 7.2 kg
- RS400PH: 7.7 kg

**Table 3. Accessories**

Catalogue numbers	Description	Pack quantity	Compatible fuse links	Compatible fuse holders
RS20LOCK	Padlockable inserts	20	N/A	RS20
RS32LOCK		10	N/A	RS32
RS63LOCK		10	N/A	RS63
RS100LOCK		10	N/A	RS100
RS20RED	Red warning carriers	10	N/A	RS20
RS32RED		10	N/A	RS32
RS63RED		10	N/A	RS63
RS100RED		1	N/A	RS100
P5372-10	Fuse link adaptor kits	1	TIA, TIS, AAO, BAO	RS100
TCA2		1	AD, BD, CD, DD, TBC, TC, TF	RS400
PD8282	Terminal shroud	100	N/A	RS20 and RS32



RS-LOCK



RS-RED



P5372--10

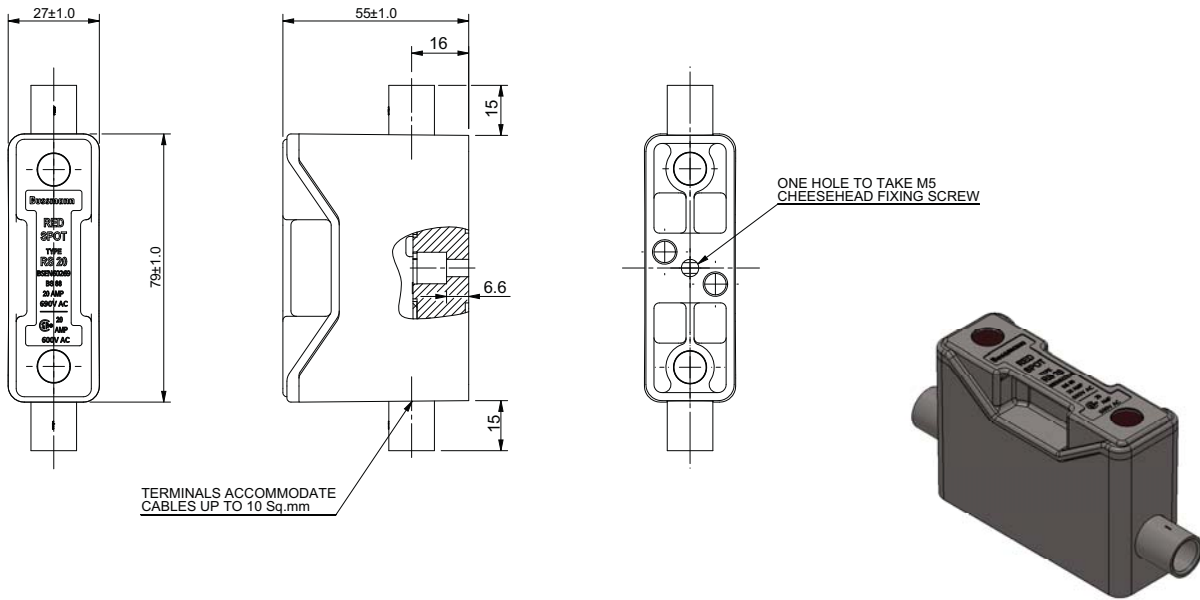


TCA2

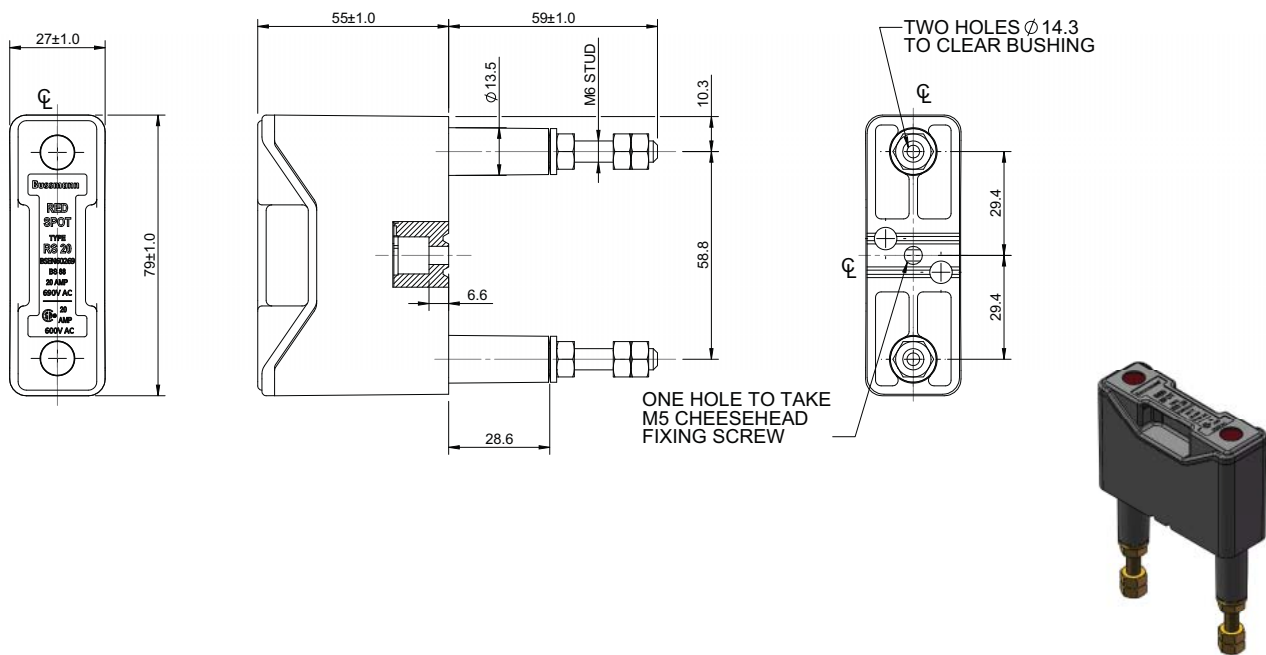


PD8282

Dimensions - mm



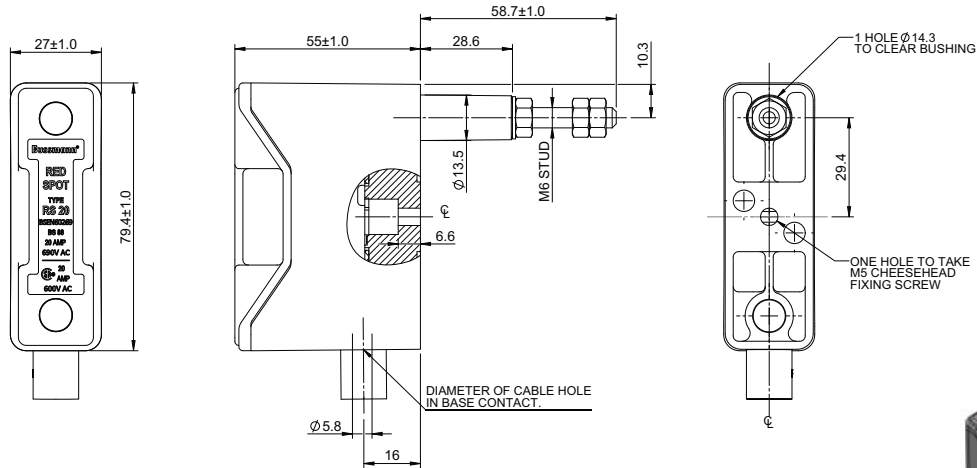
RS20H , 20 A, Front connected



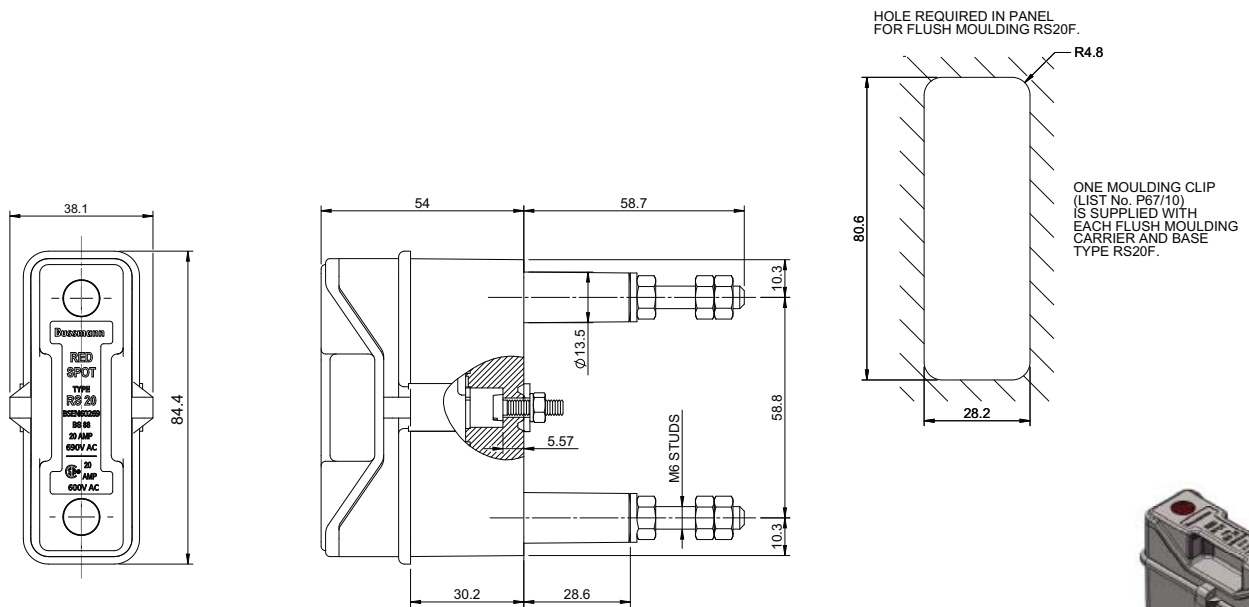
RS20P, 20 A, Back stud connected

Red Spot BS Industrial fuse holders

Dimensions - mm



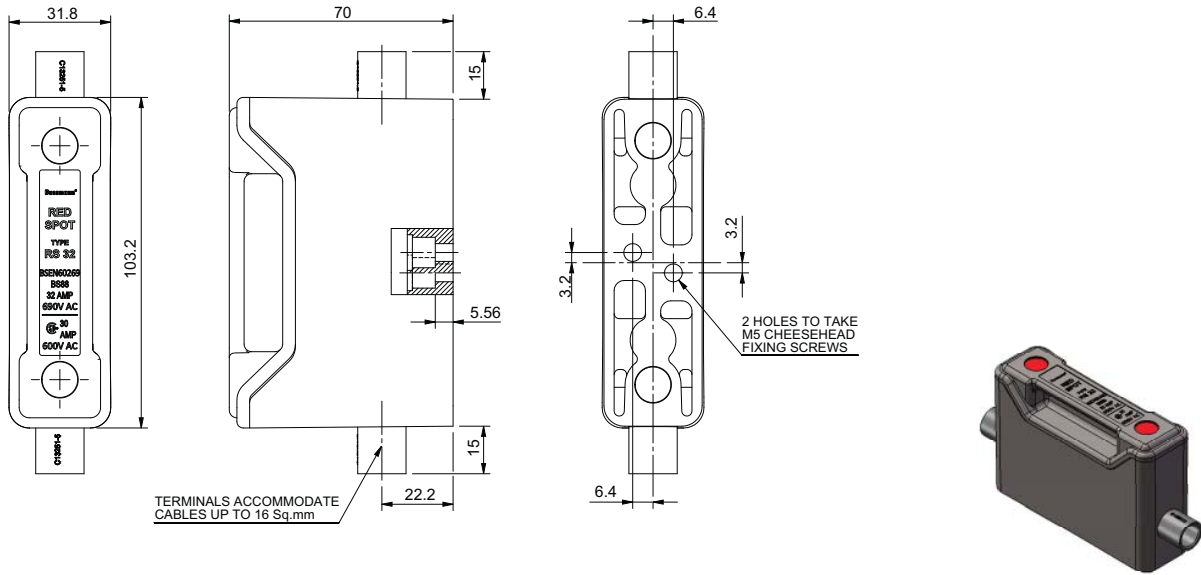
RS20PH, 20 A, Front/Back stud connected



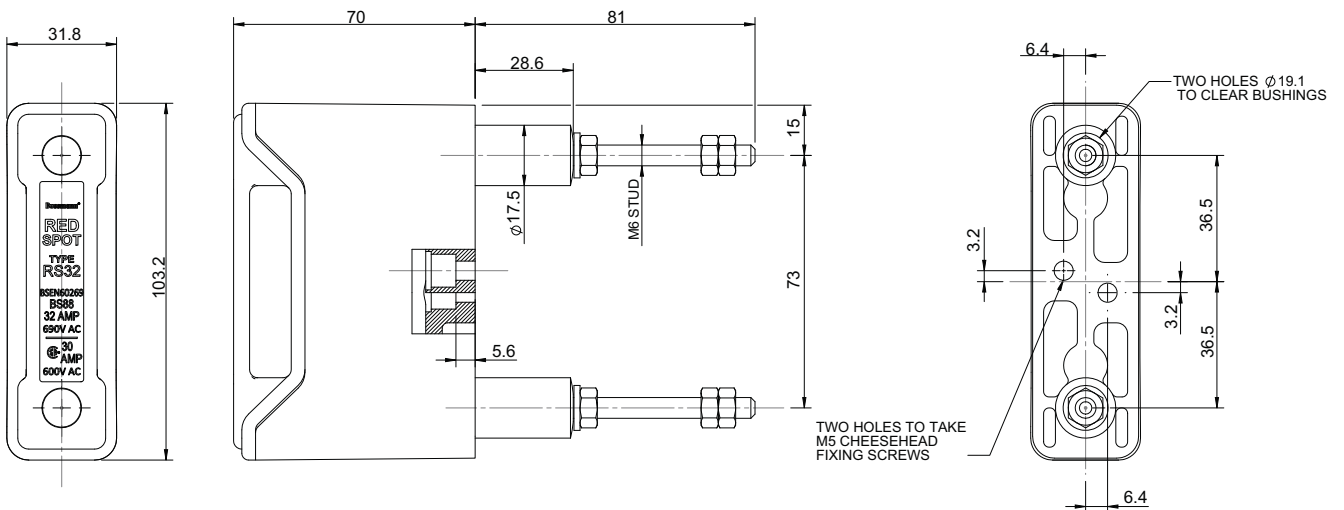
RS20F, 20 A, Back stud connected, flush mounted

Red Spot BS Industrial fuse holders

Dimensions - mm



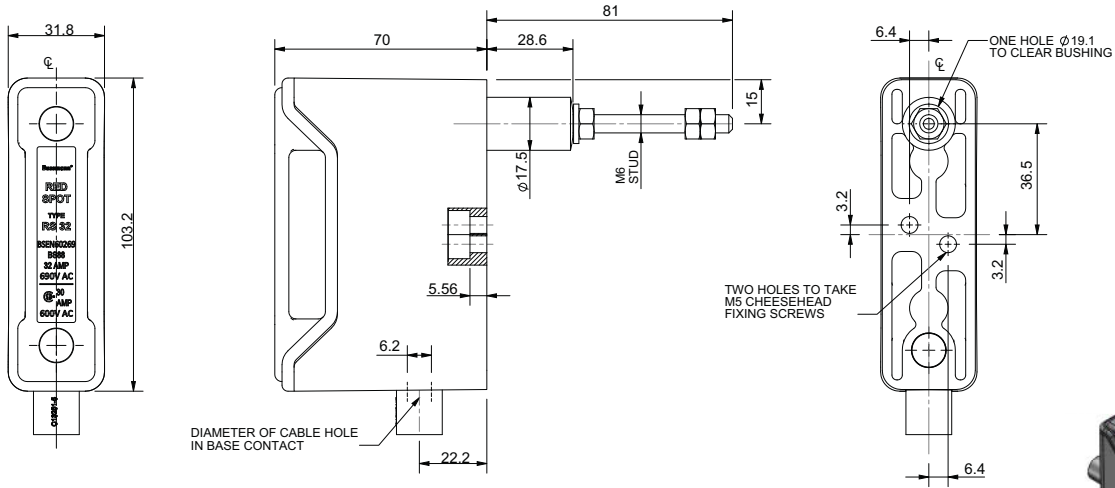
RS32H, 32 A, Front connected



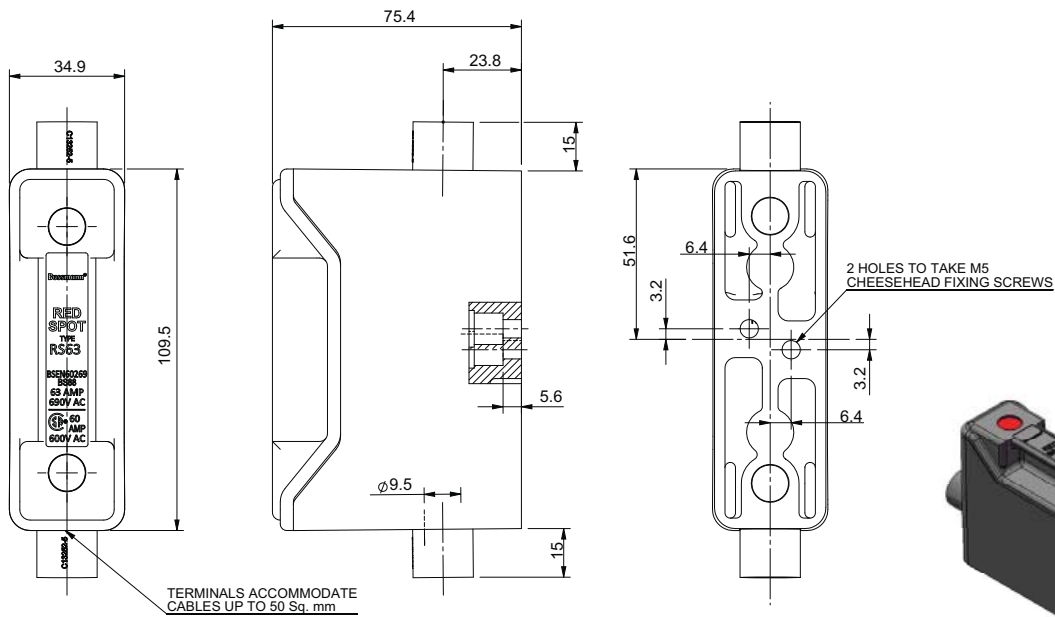
RS32P, 32 A, Back stud connected

Red Spot BS Industrial fuse holders

Dimensions - mm

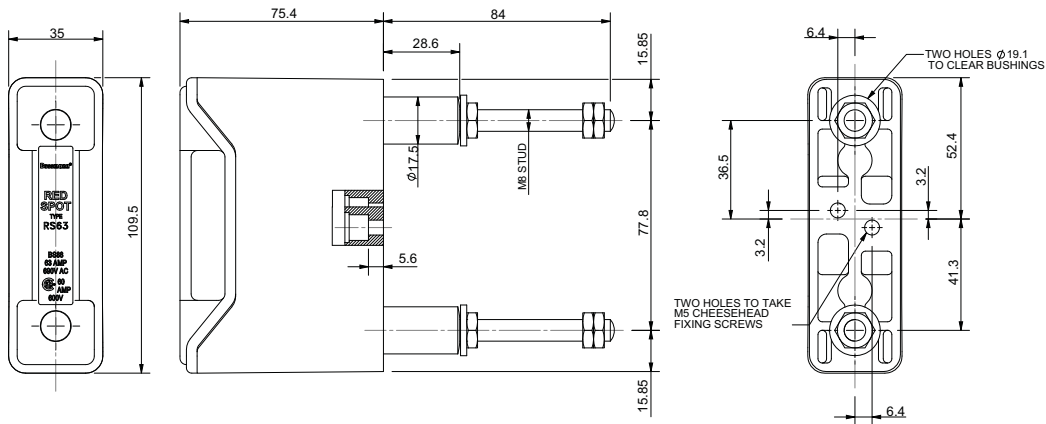


RS32PH, 32 A , Front/Back stud connected

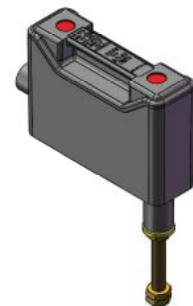
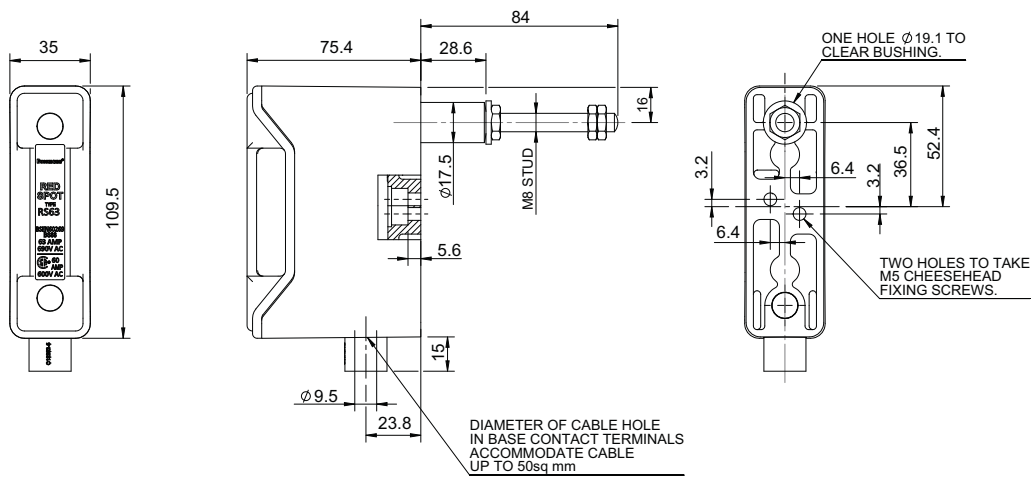


RS63H, 63 A, Front connected

Dimensions - mm



RS63P, 63 A, Back stud connected

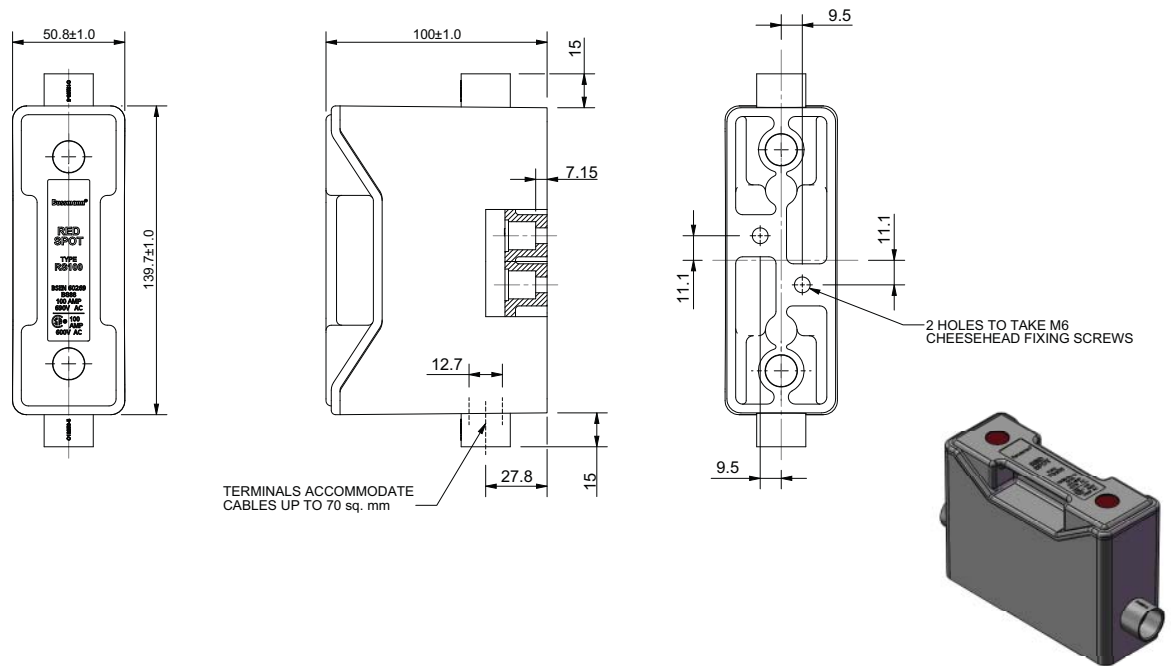


RS63PH, 63 A, Front/Back stud connected

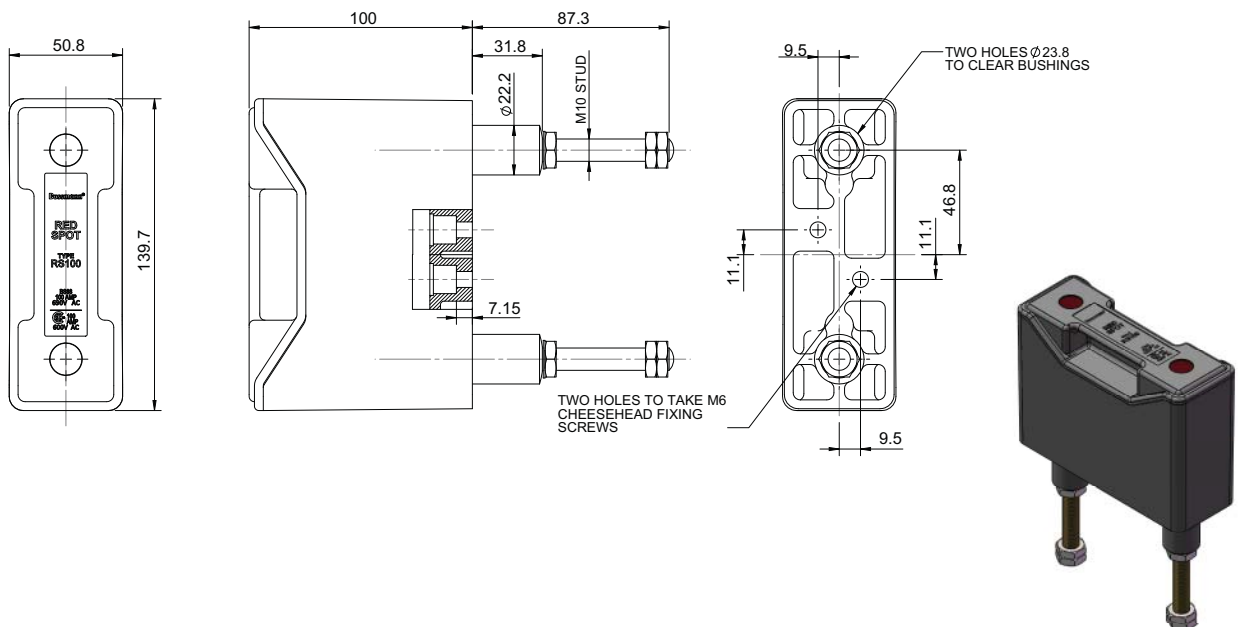


Red Spot BS Industrial fuse holders

Dimensions - mm

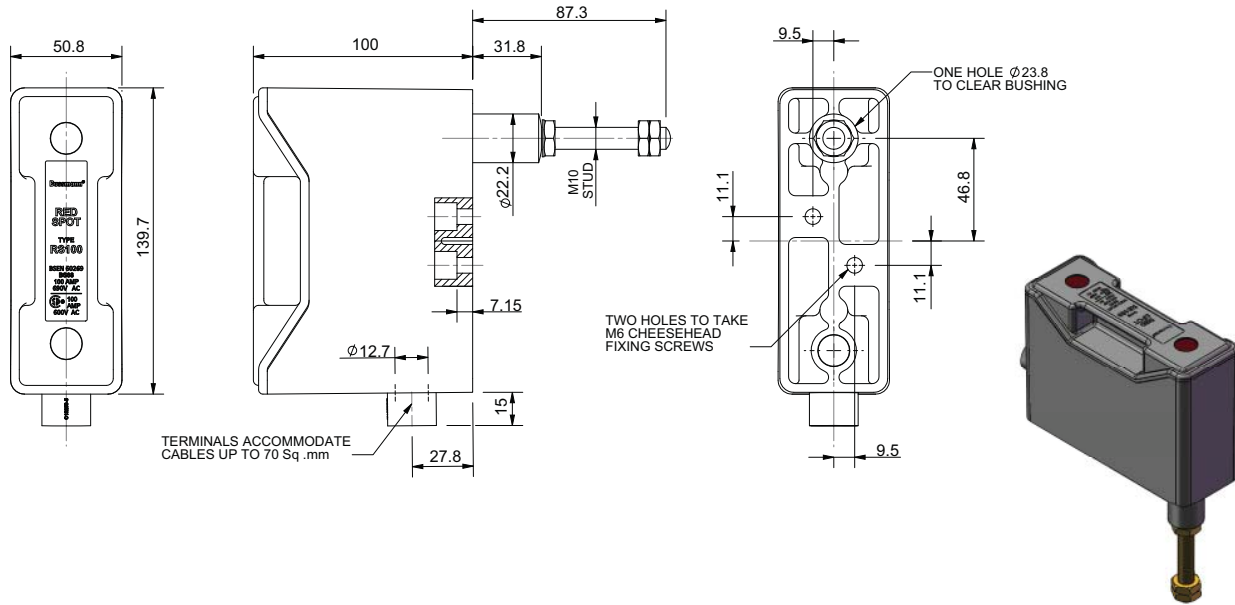


RS100H, 100 A , Front connected

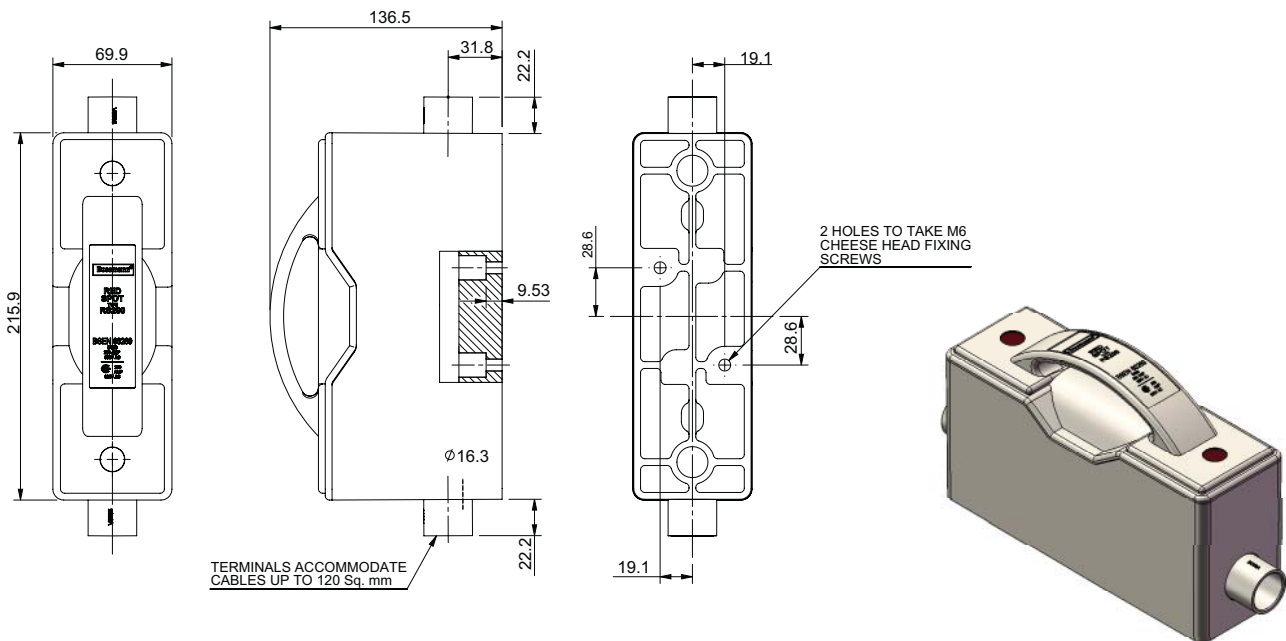


RS100P, 100 A, Back stud connected

Dimensions - mm



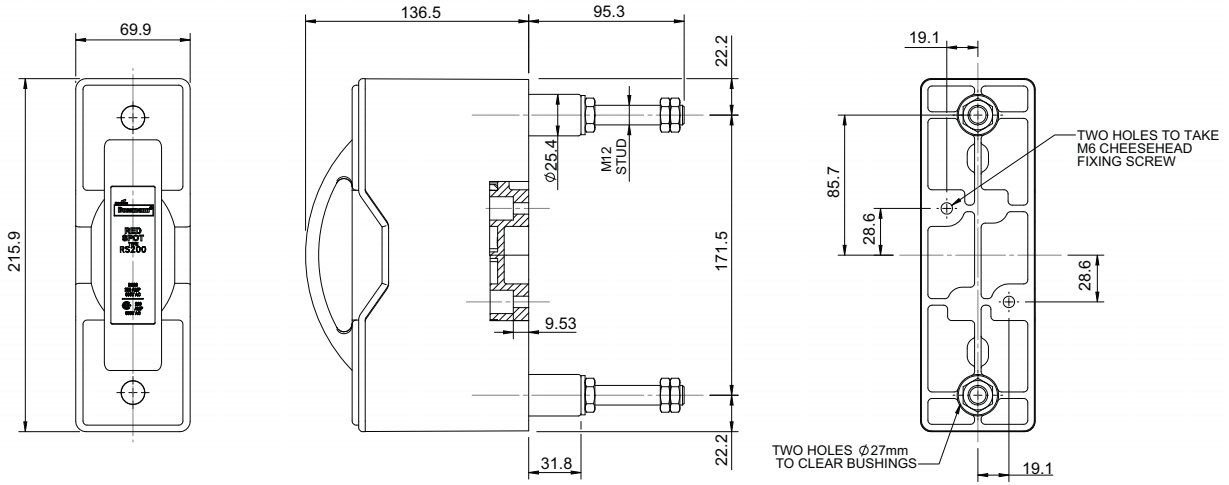
RS100PH, 100 A, Front/Back stud connected



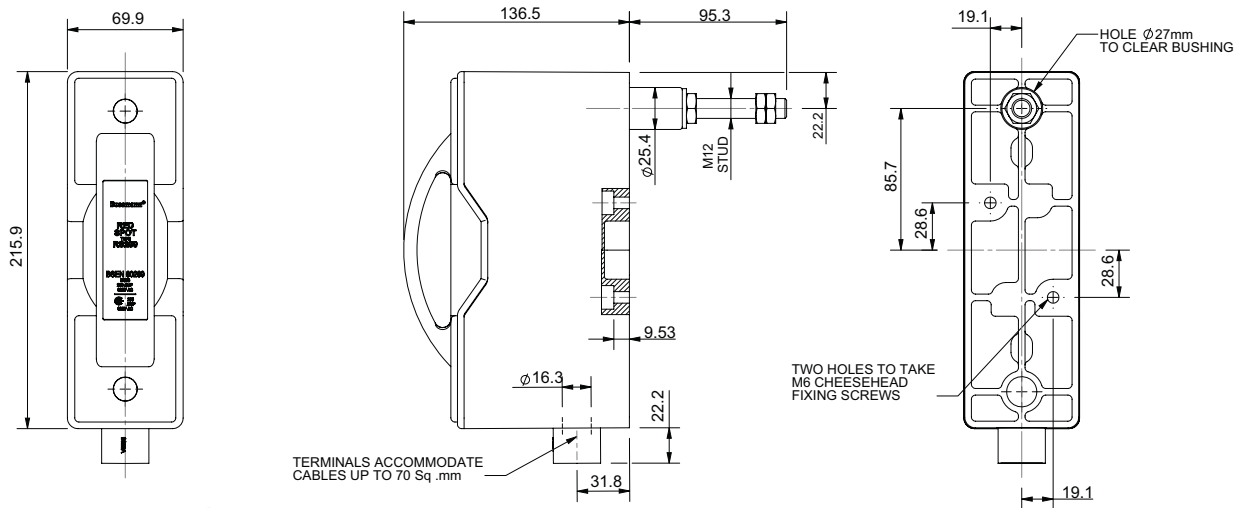
RS200H, 200 A, Front connected

Red Spot BS Industrial fuse holders

Dimensions - mm

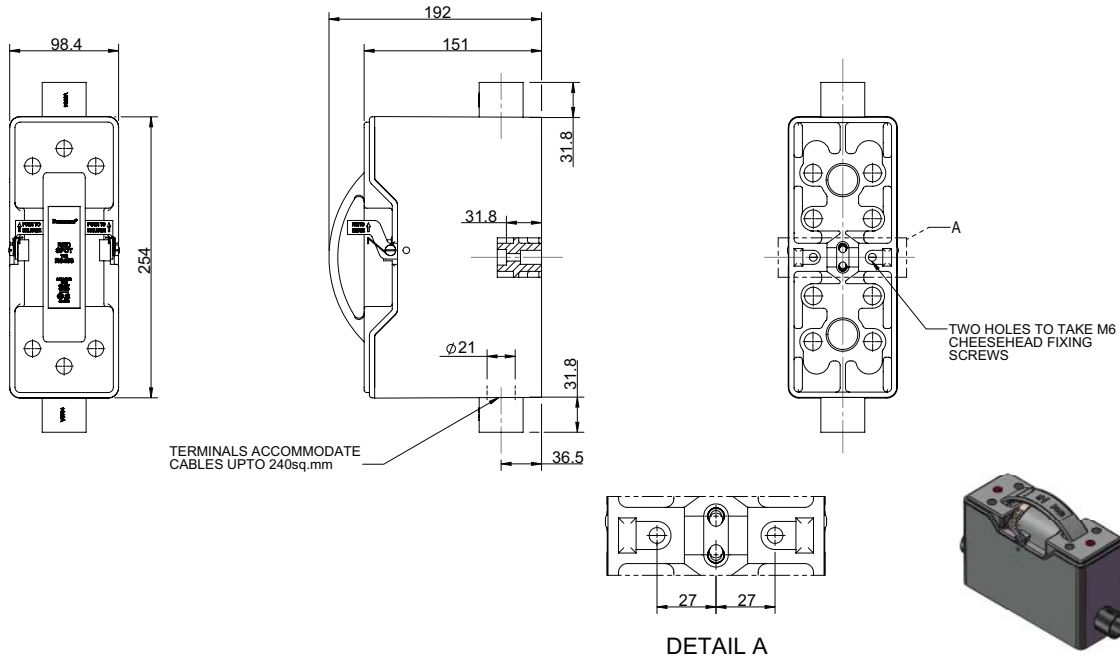


RS200P, 200 A, Back stud connected

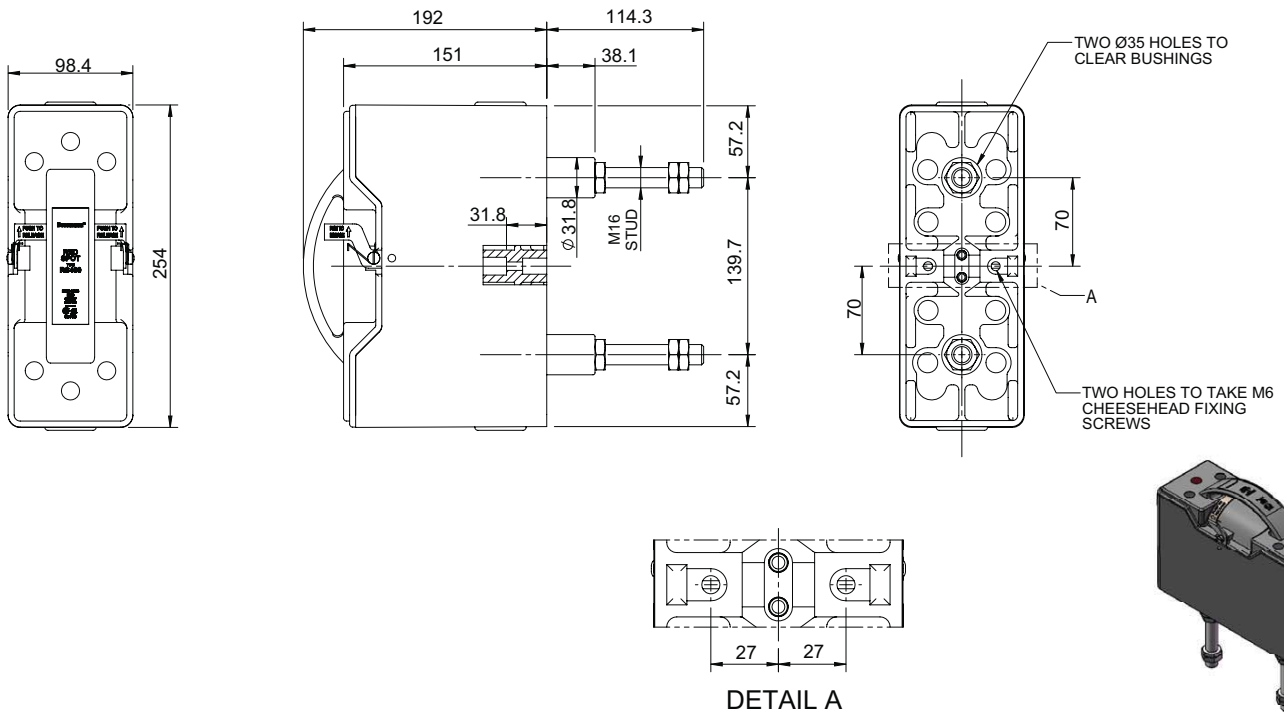


RS200PH, 200 A, Front/Back stud connected

Dimensions - mm

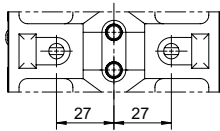
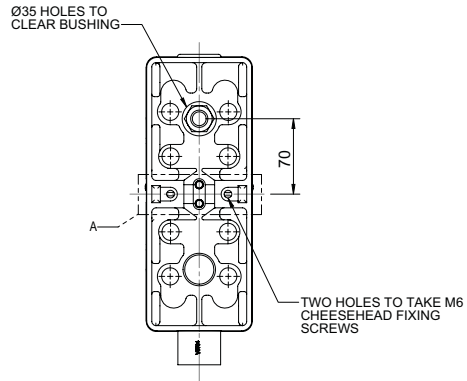
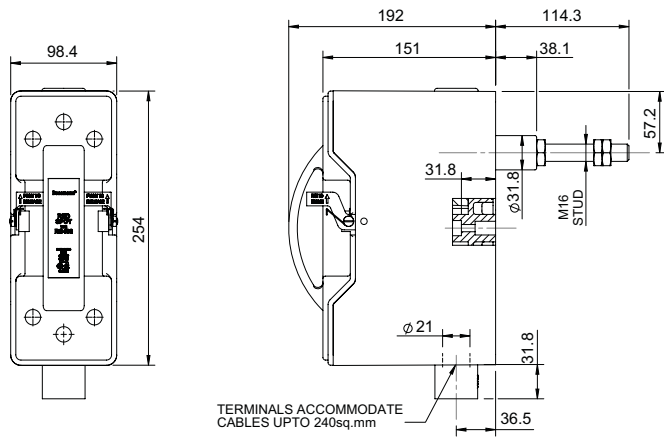


RS400H, 400 A, Front connected

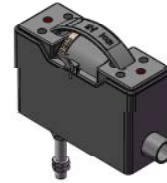


RS400P, 400 A, Back stud connected

Dimensions - mm



DETAIL A



RS400PH, 400 A, Front/Back stud connected

**Eaton**  
 EMEA Headquarters  
 Route de la Longeraie 7  
 1110 Morges, Switzerland

Eaton Electrical Products Limited  
 Melton Road  
 Burton-on-the-Wolds  
 Leicestershire, LE12 5TH  
 United Kingdom

© 2017 Eaton  
 All Rights Reserved  
 PDF Only  
 Publication No. 10024  
 October 2017

Changes to the products, to the information contained in this document, and to prices are reserved; so are errors and omissions. Only order confirmations and technical documentation by Eaton is binding. Photos and pictures also do not warrant a specific layout or functionality. Their use in whatever form is subject to prior approval by Eaton. The same applies to Trademarks (especially Eaton, Moeller, and Cutler-Hammer). The Terms and Conditions of Eaton apply, as referenced on Eaton Internet pages and Eaton order confirmations.

Eaton is a registered trademark.

All other trademarks are property of their respective owners.