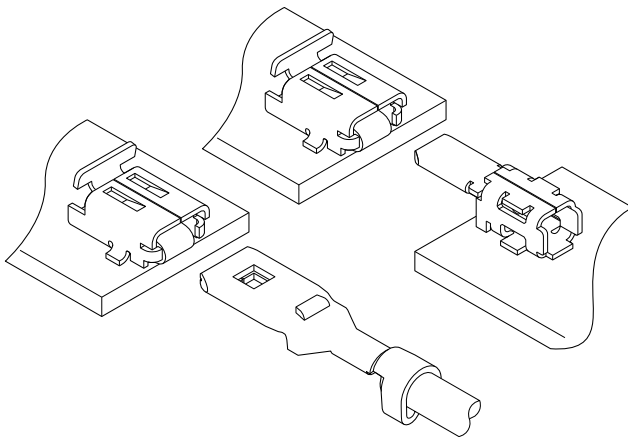




LEK CONNECTOR

Board-to-board connectors



This LEK connector is board-to-board connector that does not use the housing and has a positive lock. This enables to absorb misalignment when mating connector.

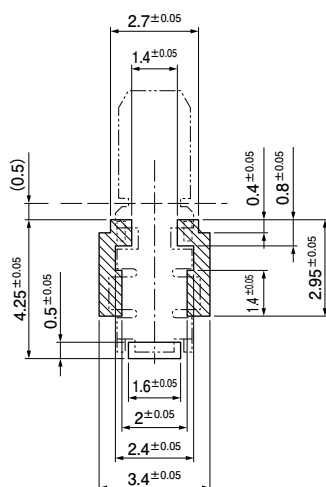
- Secure locking structure
- Absorbing misalignment

Specifications

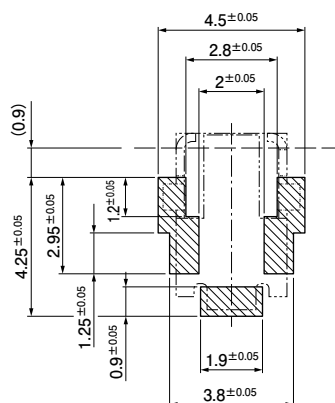
- Current rating: 3 A AC, DC
 - Temperature range: -55°C to $+85^{\circ}\text{C}$
(including temperature rise in applying electrical current)
 - Contact resistance: Initial value/ 20 m Ω max.
After environmental tests/ 30 m Ω max.
 - Applicable wire: Conductor/ AWG #26 to #22
Insulation O.D./ 1.0 to 1.6 mm
- * In using the products, refer to "Handling Precaution for Terminal and Connector" described on our website (Technical documents of Product information page).
- * Contact JST for details.
- * RoHS2 compliance

PC board layout and Assembly layout

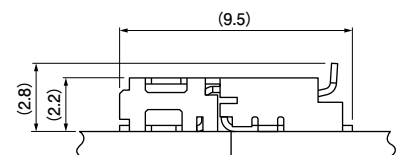
Plug



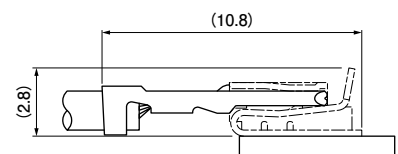
Receptacle



Board-to-board



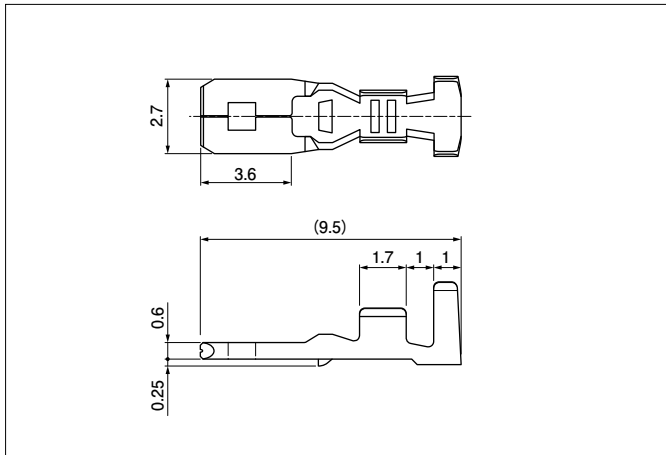
Wire-to-board



Note: The above figure is the figure viewed from the connector mounting side.

LEK CONNECTOR

Contact



Model No.	Applicable wire		Insulation O.D. (mm)	Q'ty/reel
	mm ²	AWG #		
SLEKH-001T-P0.6	0.13 to 0.33	26 to 22	1.0 to 1.6	7,000

Material and Finish
Phosphor bronze, tin-plated

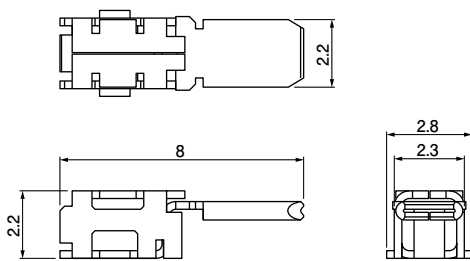
RoHS2 compliance

Contact	Crimping machine	Applicator		
		Crimp applicator	Dies	Crimp applicator with dies
SLEKH-001T-P0.6	AP-K2N	MKS-L	MK/SLEKH-001-06	APLMK SLEKH001-06
			-	-

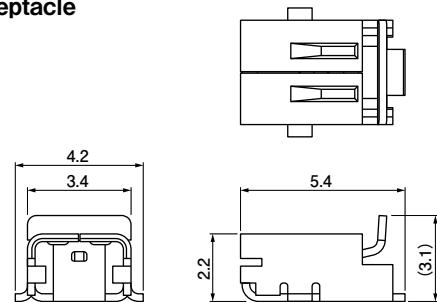
Note: Contact JST for fully automatic crimping applicator.

Connector

Plug



Receptacle



Model No.	Q'ty/reel
LEK-01PS-2RPT-TL	4,500
Material and Finish	
Phosphor bronze, tin-plated	

RoHS2 compliance

Model No.	Q'ty/reel
LEK-01RS-2RPT-TL	3,500
Material and Finish	
Phosphor bronze, tin-plated	

RoHS2 compliance

Model number allocation

Plug

LEK - 01 P S - 2 RPT	
Series name	LEK
No. of circuits: 1	01
Part name: Plug contact	P
Shape of assembled product: SMT type	S
Material: 2...Phosphor bronze	2
Surface finish: RPT...Tin-plated (reflow treatment)	RPT

Receptacle

LEK - 01 R S - 2 RPT	
Series name	LEK
No. of circuits: 1	01
Part name: Receptacle contact	R
Shape of assembled product: SMT type	S
Material: 2...Phosphor bronze	2
Surface finish: RPT...Tin-plated (reflow treatment)	RPT

Contact

S LEKH - 001 T - P 0.6	
Form:	S...Strip form
Series name: LEK connector harness type	S
Applicable wire range:	001...AWG #26 to #22
Surface finish: T...Tin-plated	T
Material: P...Phosphor bronze	P
Terminal size	0.6