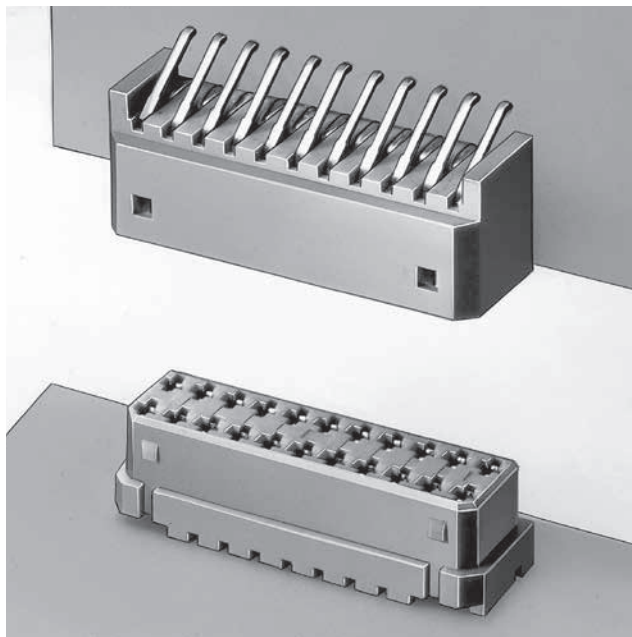
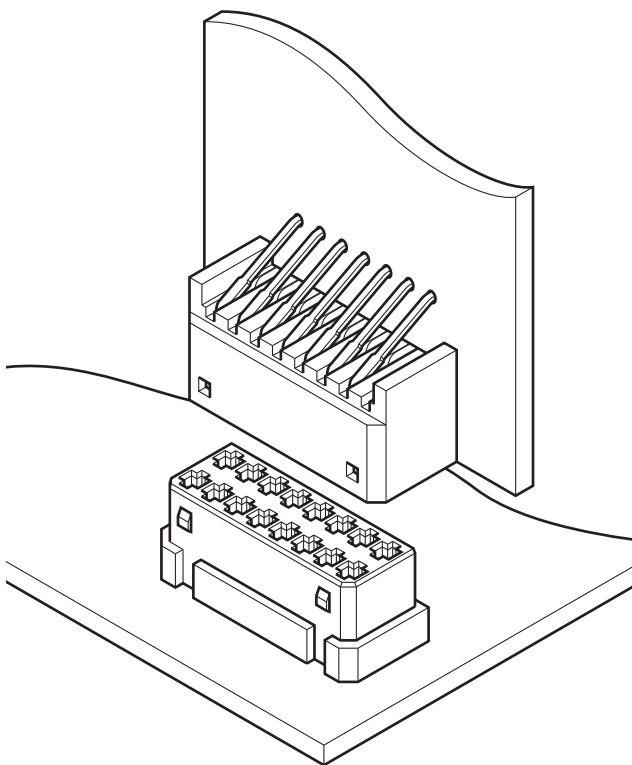


JED CONNECTOR

Board-to-Board connectors/Mating style



This 1.25 mm pitch dual-in-line, board-to-board connector. Double-sided, high-pressure contacts and a housing locking feature provide reliable connections.



Feature

• A compact design to meet today's needs

This small connector has a 1.25 mm pitch dual-in-line construction at both the mating and printed circuit board sides. It has a mounting height of only 7.0 mm and a thickness of 4.6 mm.

• Positive housing lock provides a highly reliable connection

The high-pressure, double-sided, fork type contacts and a housing lock feature ensure continuity even when the connector is subjected to severe vibration or shock.

• Polarized shrouded header

The polarized shrouded header prevents misinsertion or distortion of the receptacle housing during mating. The rigid mating between the plug and receptacle guarantees high reliability during vibration or shock.

Specifications

- Current rating: 1.0 A AC/DC
- Voltage rating: 50 V AC/DC
- Temperature range: -25°C to +85°C
(including temperature rise in applying electrical current)
- Contact resistance: Initial value/ 20 mΩ max.
After environmental tests/ 40 mΩ max.
- Insulation resistance: 300 MΩ min.
- Withstanding voltage: 500 VAC/minute
- Applicable PC board thickness: 0.8 mm to 1.0 mm

* RoHS compliance

* Please refer to the "Handling Precautions for Terminals and Connectors" on our website (listed in the "Technical Documents" column on the Product Information page) before use.

* Contact JST for details.

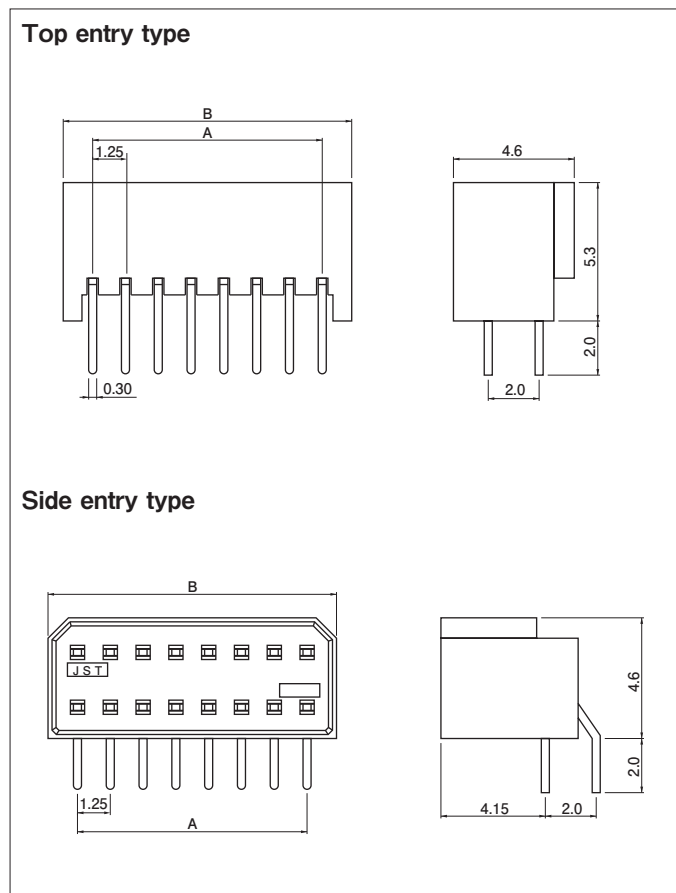
Standards

For information on overseas standard registrations, please refer to the "List of Registered Overseas Standards" on our website (listed in the "Technical Documents" column on the Product Information page).

* Specifications registered to overseas standards may differ from the general specifications listed above.

JED CONNECTOR

Plug



No. of circuits	Model No.		Dimensions (mm)		Q'ty/box
	Top entry type	Side entry type	A	B	
8	08P-JED	08PS-JED	3.75	5.95	500
16	16P-JED	16PS-JED	8.75	10.95	500
22	22P-JED	22PS-JED	12.50	14.70	500

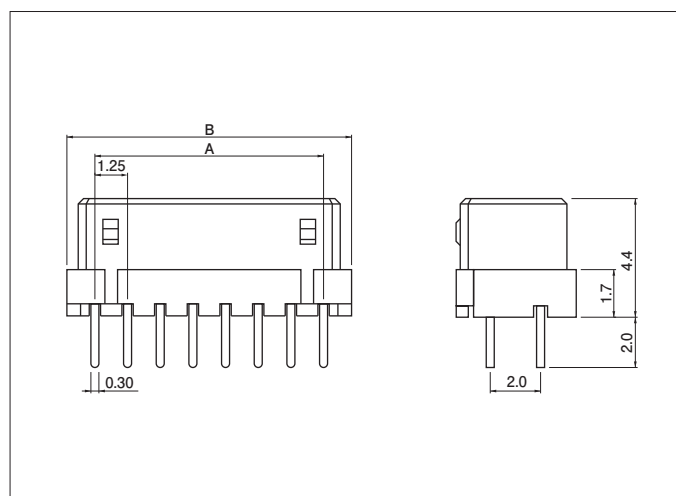
Material and Surface finish, etc.

Contact: Brass, tin-plated (reflow treatment)
Housing: Glass-filled PA 66

RoHS compliance

Note: For flame retardant grade of resin material used, please refer to the "List of Registered Overseas Standards" on our website (listed in the "Technical Documents" column on the Product Information page).

Receptacle



No. of circuits	Model No.	Dimensions (mm)		Q'ty/box
		A	B	
8	08R-JED	3.75	5.95	500
16	16R-JED	8.75	10.95	500
22	22R-JED	12.50	14.70	500

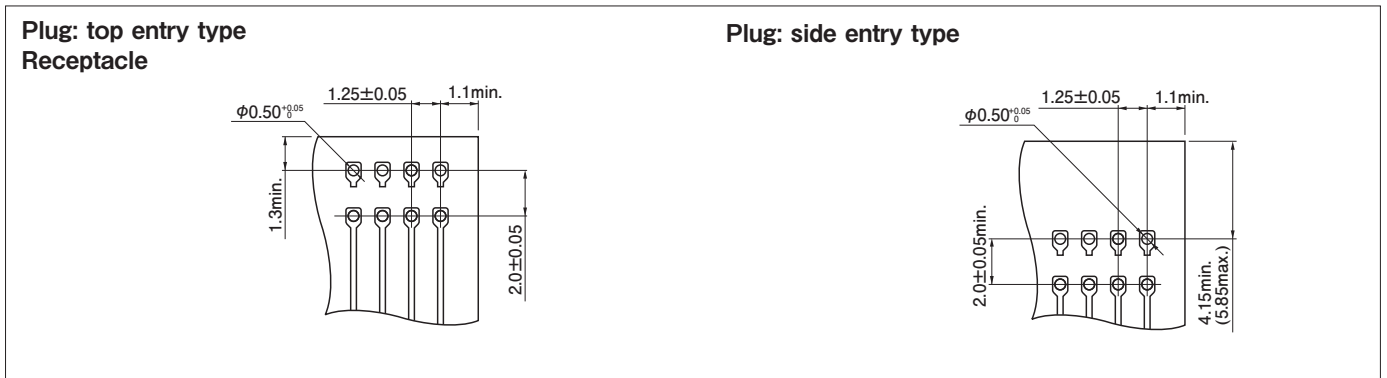
Material and Surface finish, etc.

Contact: Phosphor bronze, copper-undercoated, tin-plated (reflow treatment)
Housing: Glass-filled PA 66

RoHS compliance

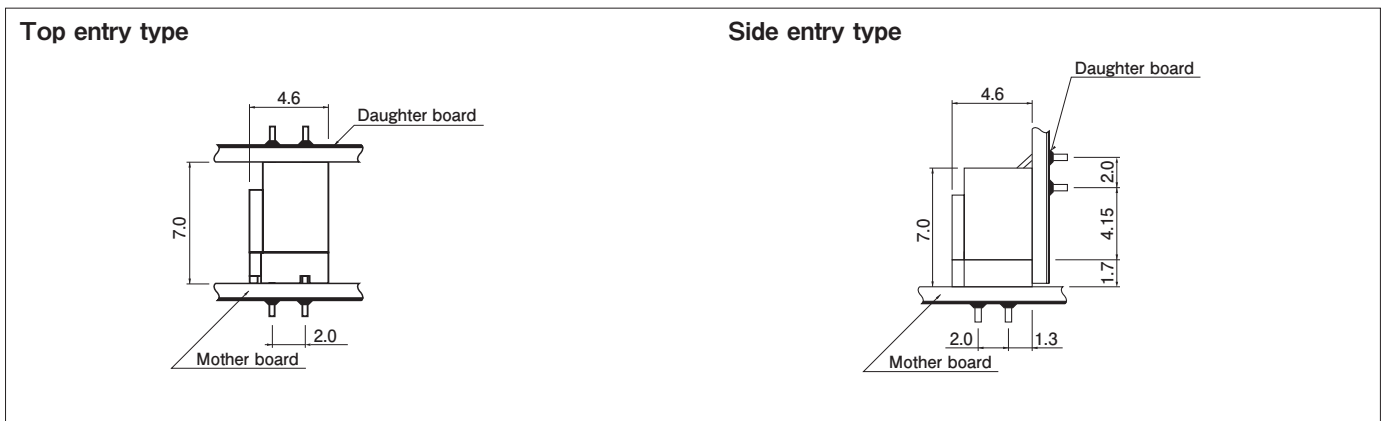
This product displays (LF)(SN) on a label. Note: For flame retardant grade of resin material used, please refer to the "List of Registered Overseas Standards" on our website (listed in the "Technical Documents" column on the Product Information page).

PC board layout



- Note 1. The PC board layout is the figure viewed from soldering side.
 2. Tolerance for the PCB hole pitch shall be ± 0.05 and shall not accumulate.
 3. Hole dimensions differ according to the type of PC board and piercing method.
 The above dimensions are reference values. Please contact JST for details.

Assembly layout



- Note: Daughter board must be fixed.
 Please contact us for details on fixing methods.